



US00D389299S

United States Patent [19]
McMullin

[11] **Patent Number: Des. 389,299**
[45] **Date of Patent: **Jan. 20, 1998**

[54] **GOLF CLEAT**

5,029,405 7/1991 Dettaitre 36/134
5,533,282 7/1996 Kataoka et al. 36/134 X

[75] **Inventor: Faris W. McMullin, Boise, Id.**

FOREIGN PATENT DOCUMENTS

[73] **Assignee: Softspikes, Inc., Rockville, Md.**

0 342 232 11/1989 European Pat. Off. .
0 524 861 1/1993 European Pat. Off. .
25 29 027 1/1977 Germany .
467815 12/1951 Italy .

[**] **Term: 14 Years**

[21] **Appl. No.: 66,949**

Primary Examiner—Doris V. Coles
Attorney, Agent, or Firm—Fish & Neave; Jeffrey H. Ingerman

[22] **Filed: Feb. 25, 1997**

[51] **LOC (6) Cl. 02-04**

[52] **U.S. Cl. D2/962**

[58] **Field of Search D2/962; 36/134,
36/129, 67 A, 67 C, 67 D, 59 C**

[57] **CLAIM**

The ornamental design for a golf cleat, as shown and described.

[56] **References Cited**

DESCRIPTION

U.S. PATENT DOCUMENTS

D. 288,262	2/1987	Yokoishi	D2/962
D. 327,975	7/1992	Saito et al.	D2/962
D. 371,895	7/1996	McMullin	D2/962
D. 371,896	7/1996	McMullin	D2/962
D. 373,675	9/1996	McMullin	D2/962
1,876,195	9/1932	Youmans	36/128
3,583,082	6/1971	Jordan, Jr.	36/59
4,014,114	3/1977	Jordan et al.	36/67 D

FIG. 1 is a bottom perspective view of a golf cleat showing my new design;
FIG. 2 is a top plan view thereof;
FIG. 3 is a side elevational view thereof, the golf cleat being symmetrical; and,
FIG. 4 is a bottom plan view thereof.

1 Claim, 2 Drawing Sheets

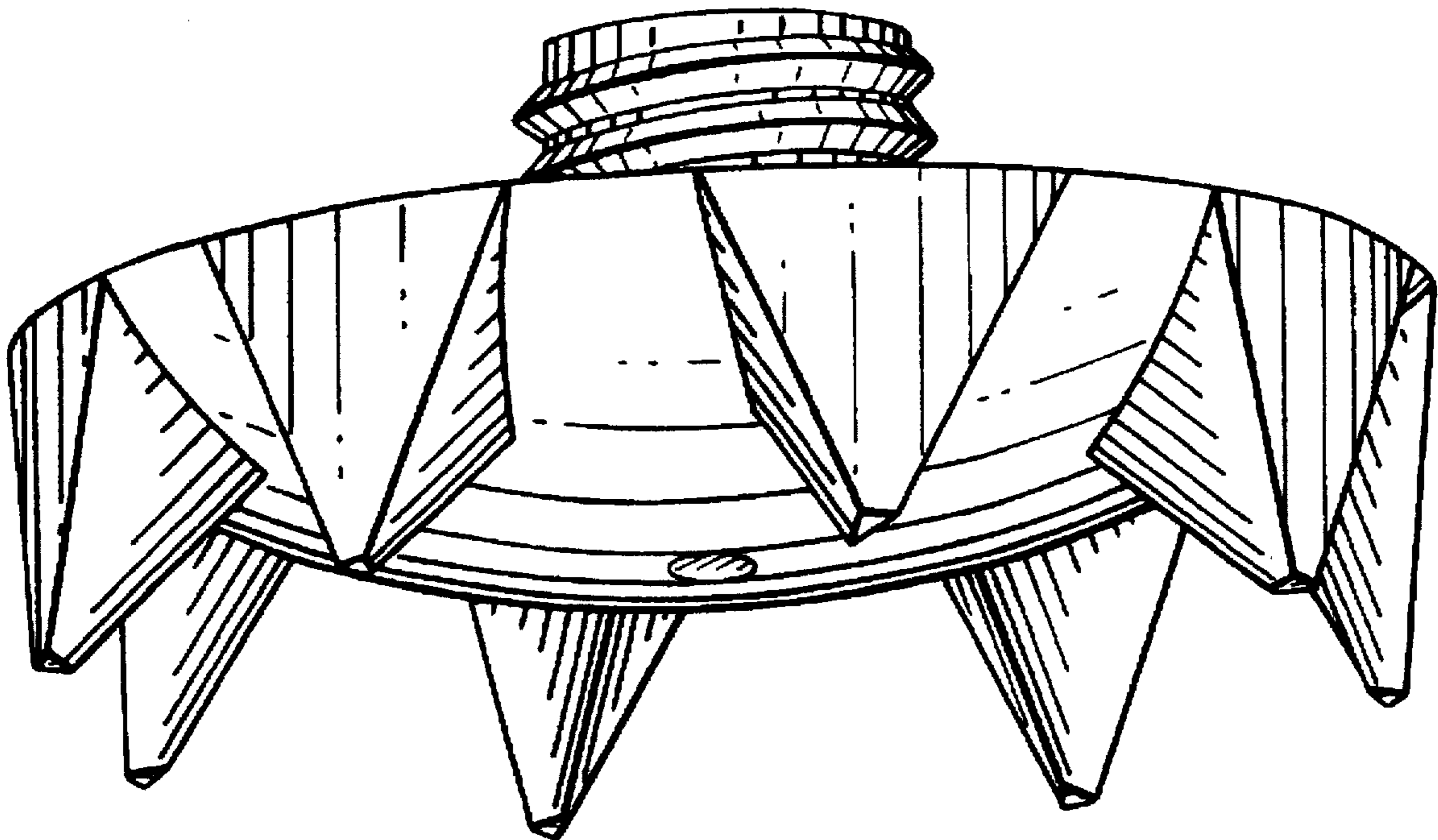


FIG. 1

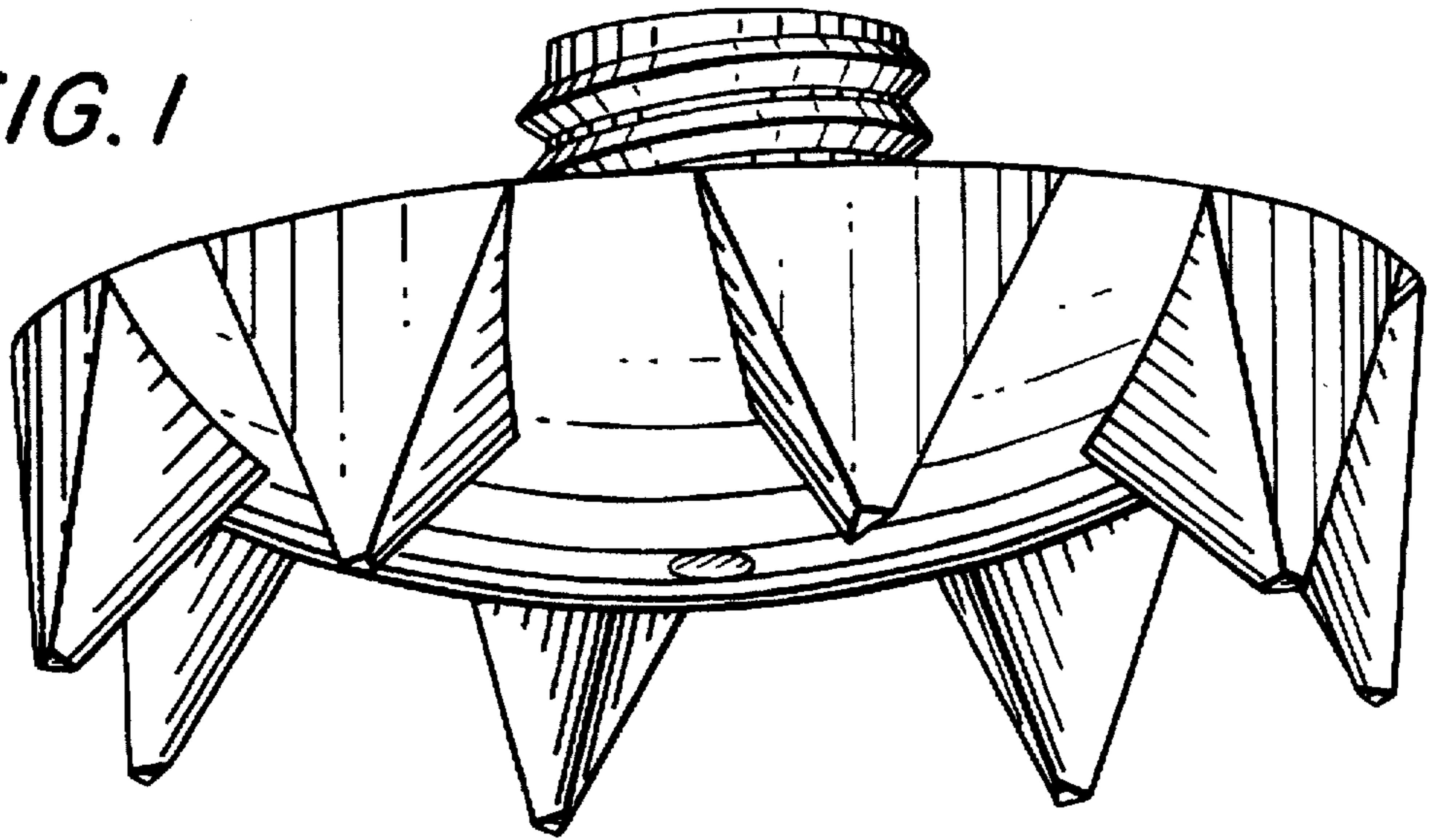


FIG. 2

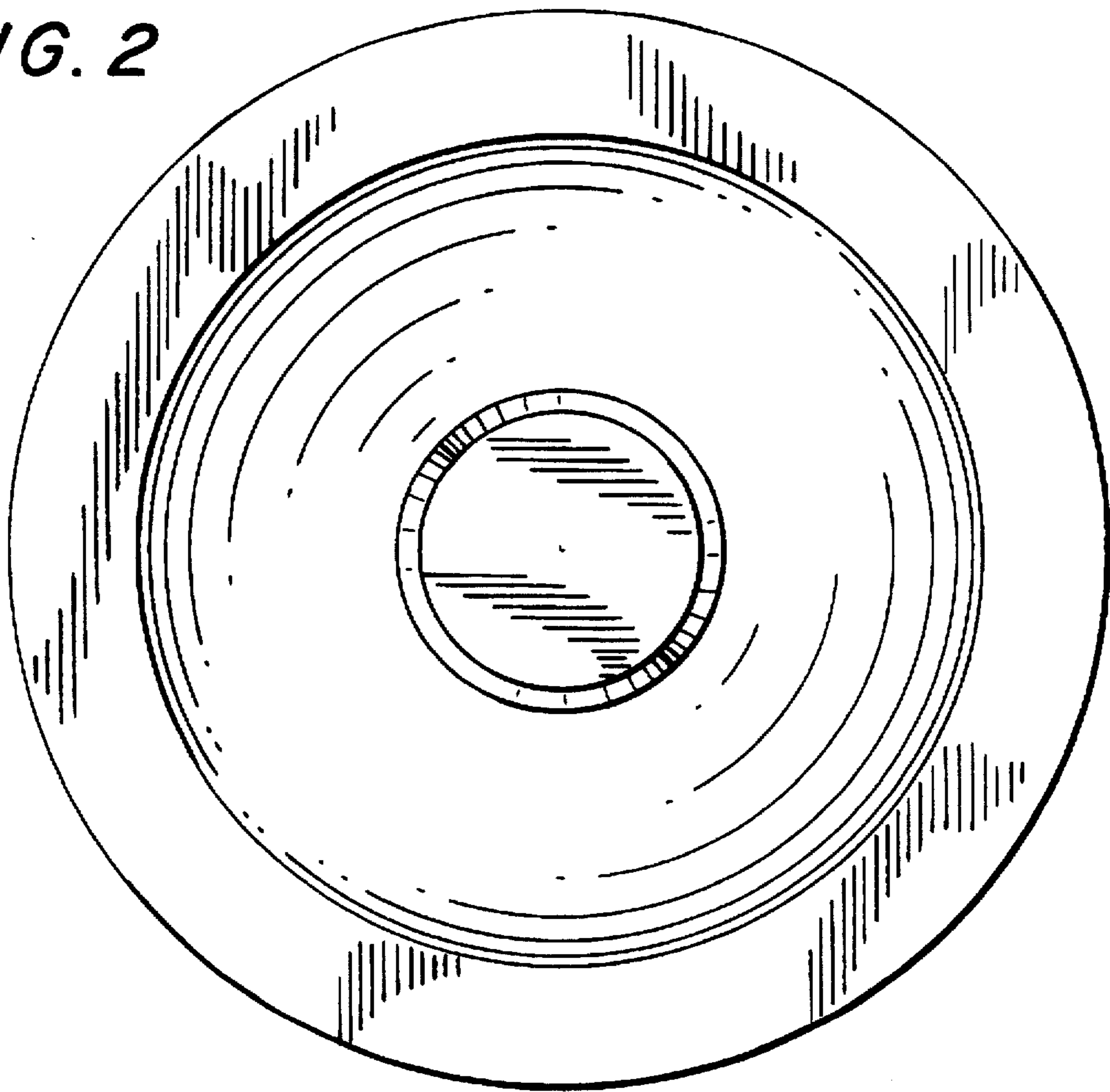


FIG. 3

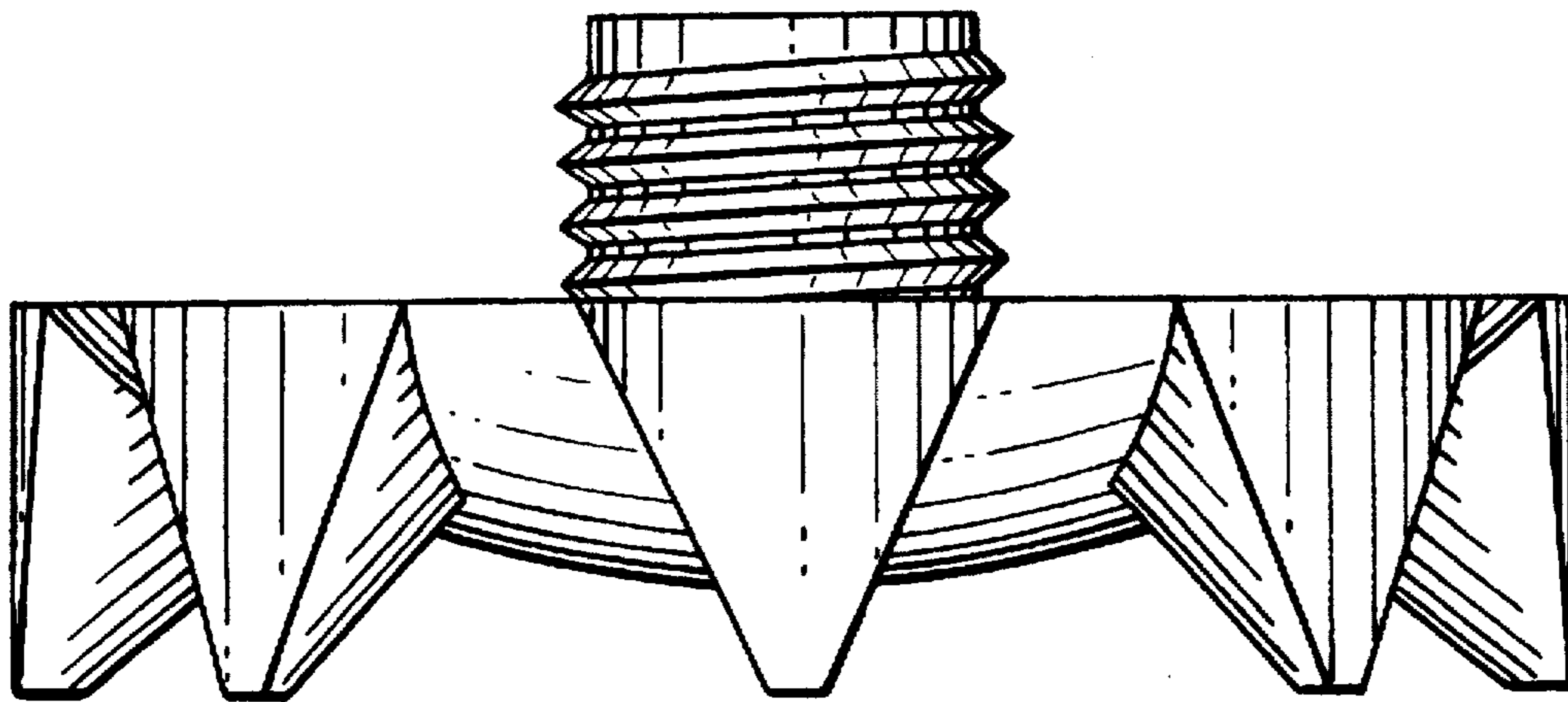


FIG. 4

