



US00D389284S

United States Patent [19]
Gudmundsson

[11] **Patent Number: Des. 389,284**
[45] **Date of Patent: **Jan. 13, 1998**

[54] **FILTER FOR A VACUUM CLEANER**

[75] **Inventor: Göran Gudmundsson, Västervik, Sweden**

[73] **Assignee: Aktiebolaget Electrolux, Stockholm, Sweden**

[**] **Term: 14 Years**

[21] **Appl. No.: 56,731**

[22] **Filed: Jul. 8, 1996**

[30] **Foreign Application Priority Data**

Feb. 2, 1996 [SE] Sweden 960264

[51] **LOC (6) Cl. 15-05**

[52] **U.S. Cl. D32/30**

[58] **Field of Search D32/30, 25, 21,
D32/22, 23; 55/462, 464; 15/344, 347,
349, 352, 353**

[56] **References Cited**

U.S. PATENT DOCUMENTS

D. 333,891 3/1993 Reed, Jr., et al. D32/30
4,613,348 9/1986 Natale 15/347 X

Primary Examiner—Sandra L. Morris
Assistant Examiner—Mitchell J. Siegel
Attorney, Agent, or Firm—Pearne, Gordon, McCoy & Granger LLP

[57] **CLAIM**

The ornamental design for a filter for a vacuum cleaner, as shown and described.

DESCRIPTION

FIG. 1 is a perspective view of a filter for a vacuum cleaner, showing my new design.

FIG. 2 is a top plan view thereof;

FIG. 3 is a front view thereof, the undisclosed opposite side being identical;

FIG. 4 is a right side view thereof, the undisclosed opposite side being identical; and,

FIG. 5 is a bottom view thereof.

1 Claim, 2 Drawing Sheets

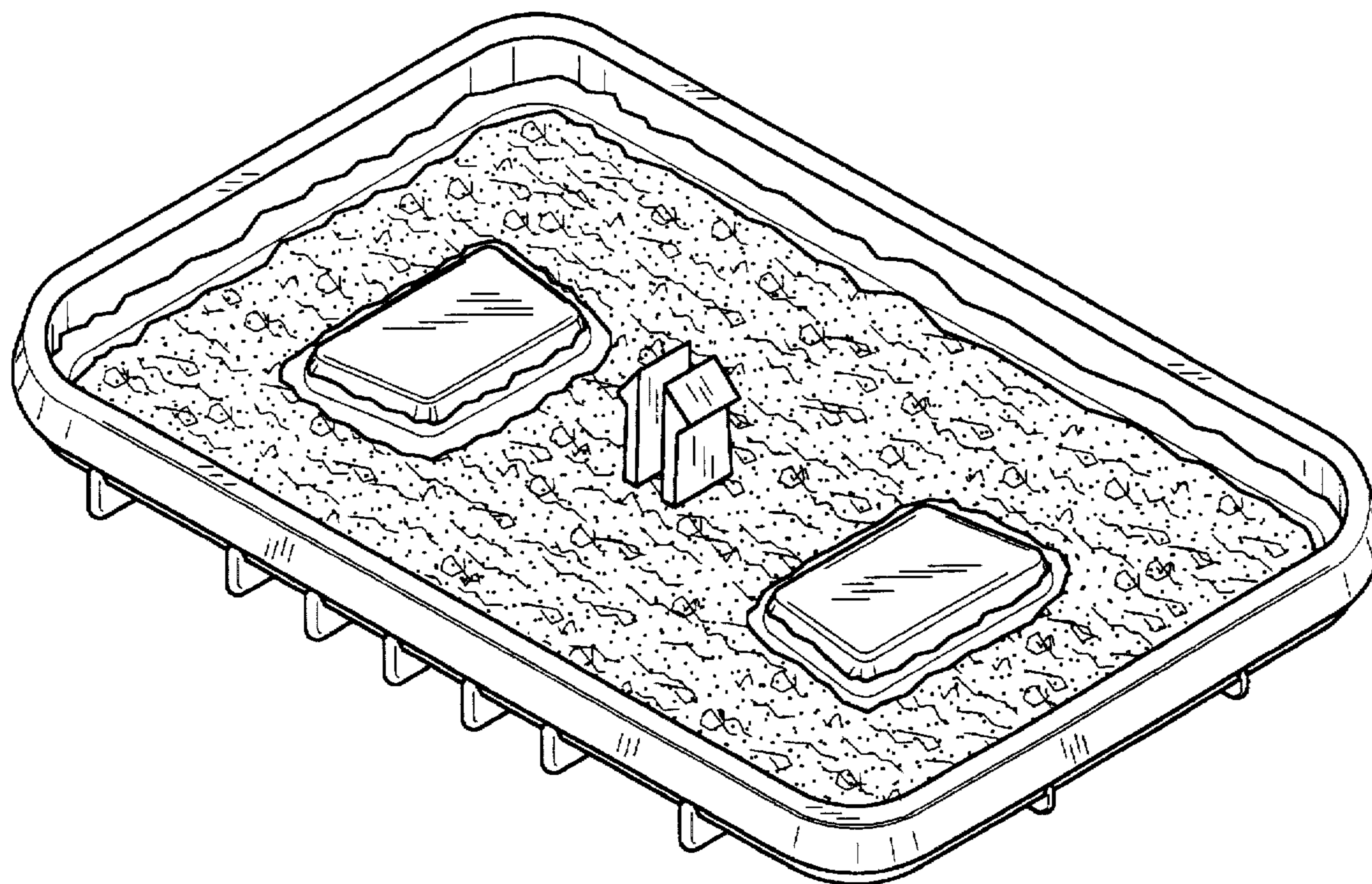


Fig. 1

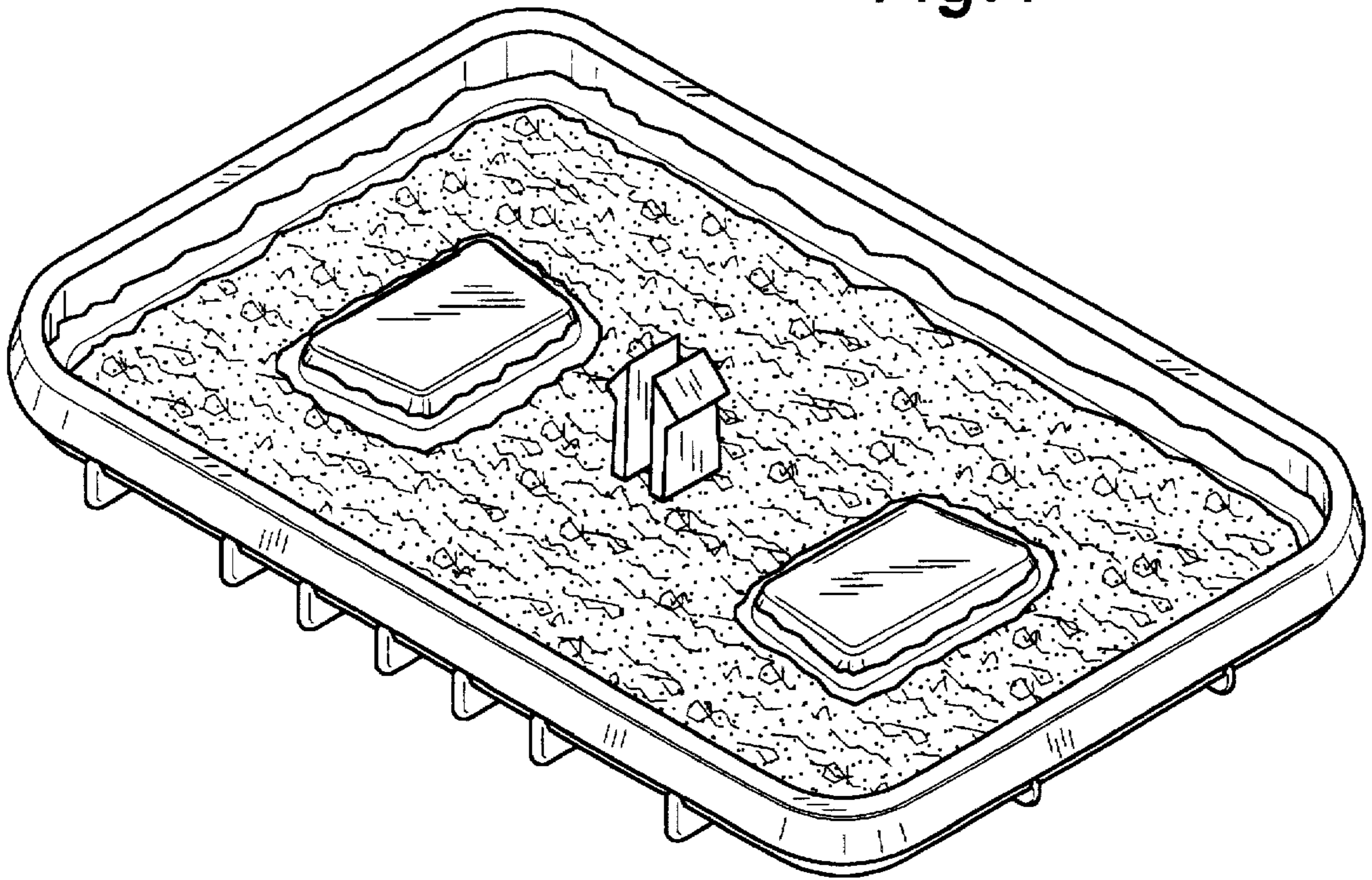


Fig.2

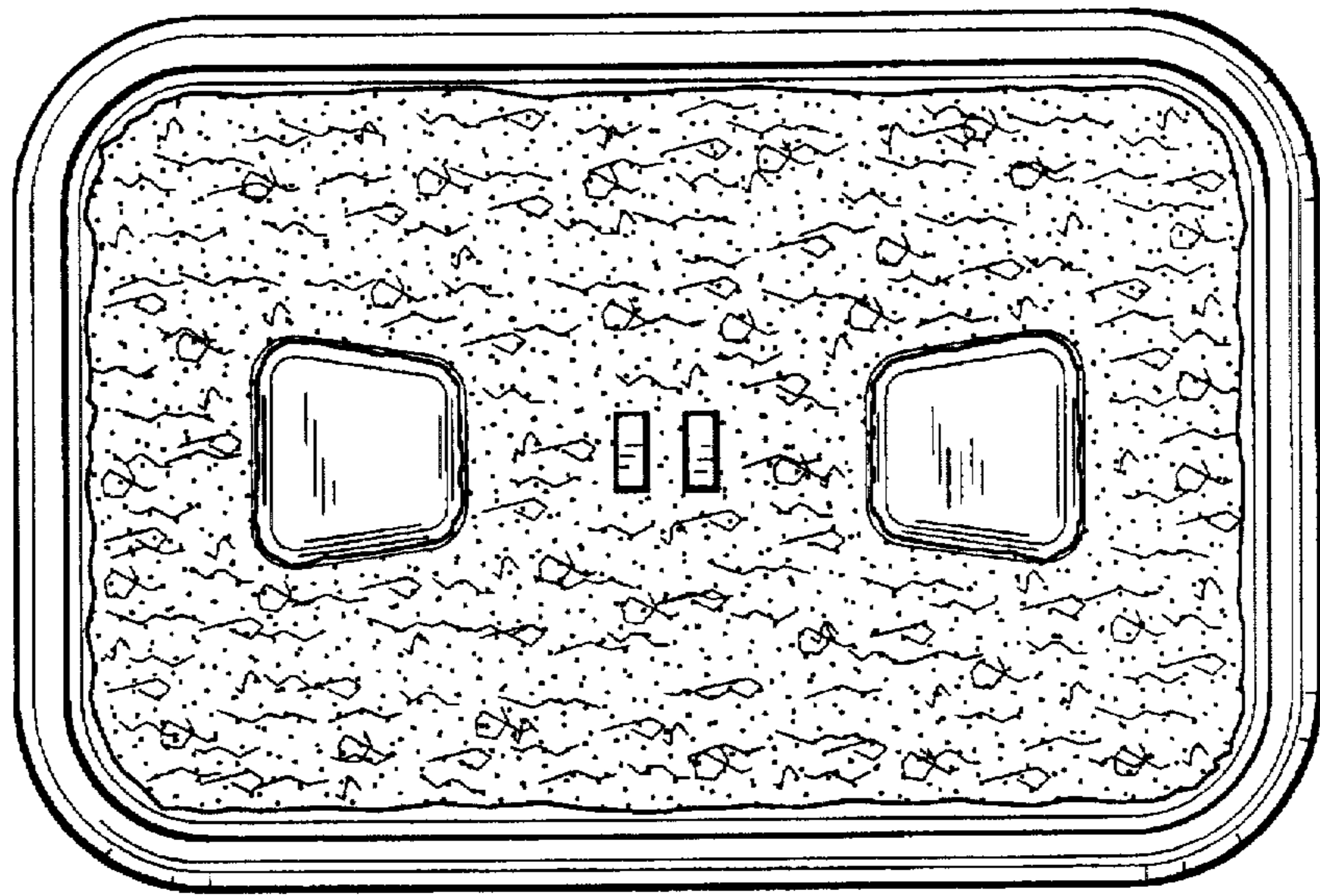


Fig.3

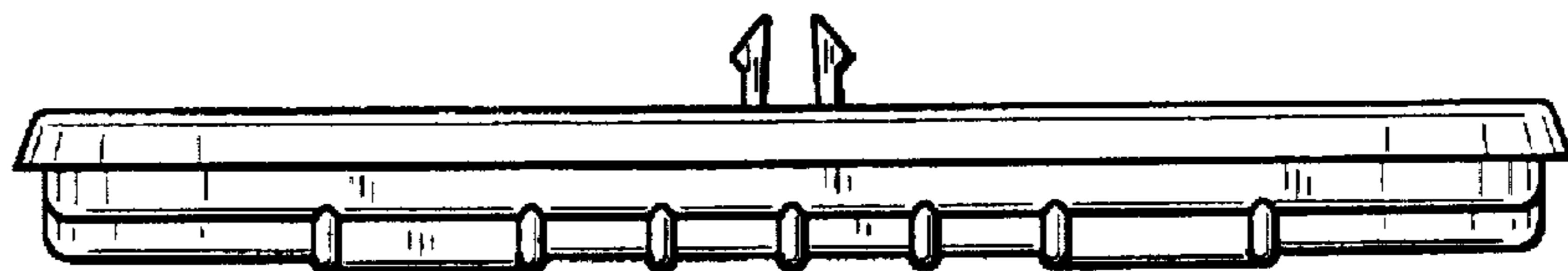


Fig.4

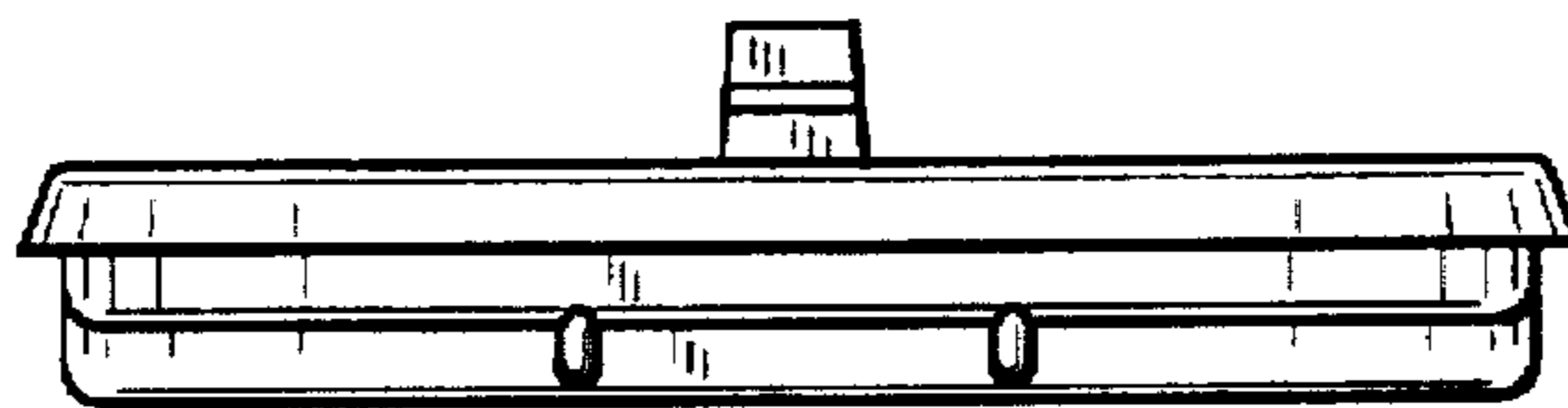


Fig.5

