



US00D389278S

# United States Patent [19]

Kelly, Jr.

[11] Patent Number: **Des. 389,278**

[45] Date of Patent: **\*\*Jan. 13, 1998**

[54] **BACK BRUSH**

4,071,021 1/1978 Gallacci ..... 601/136 X  
4,943,018 7/1990 Glaser et al. .... 4/606 X

[76] Inventor: **Casey Kelly, Jr., R.R. #2, Box 172, Kingsley, Pa. 18826**

*Primary Examiner*—A. Hugo Word  
*Assistant Examiner*—Lavone D. Tabor  
*Attorney, Agent, or Firm*—Harold H. Dutton, Jr.; W. Charles L. Jamison; Diane S. Liebman

[\*\*] Term: **14 Years**

[21] Appl. No.: **29,209**

[57] **CLAIM**

[22] Filed: **Sep. 30, 1994**

The ornamental design for a back brush, as shown and described.

[51] LOC (6) Cl. .... **28-04**

[52] U.S. Cl. .... **D28/63**

[58] Field of Search ..... D4/114-115, 128, D4/130, 133, 199; D28/63; 15/110, 159.1, 160; 4/604-606; 601/136, 154-155, 159

### DESCRIPTION

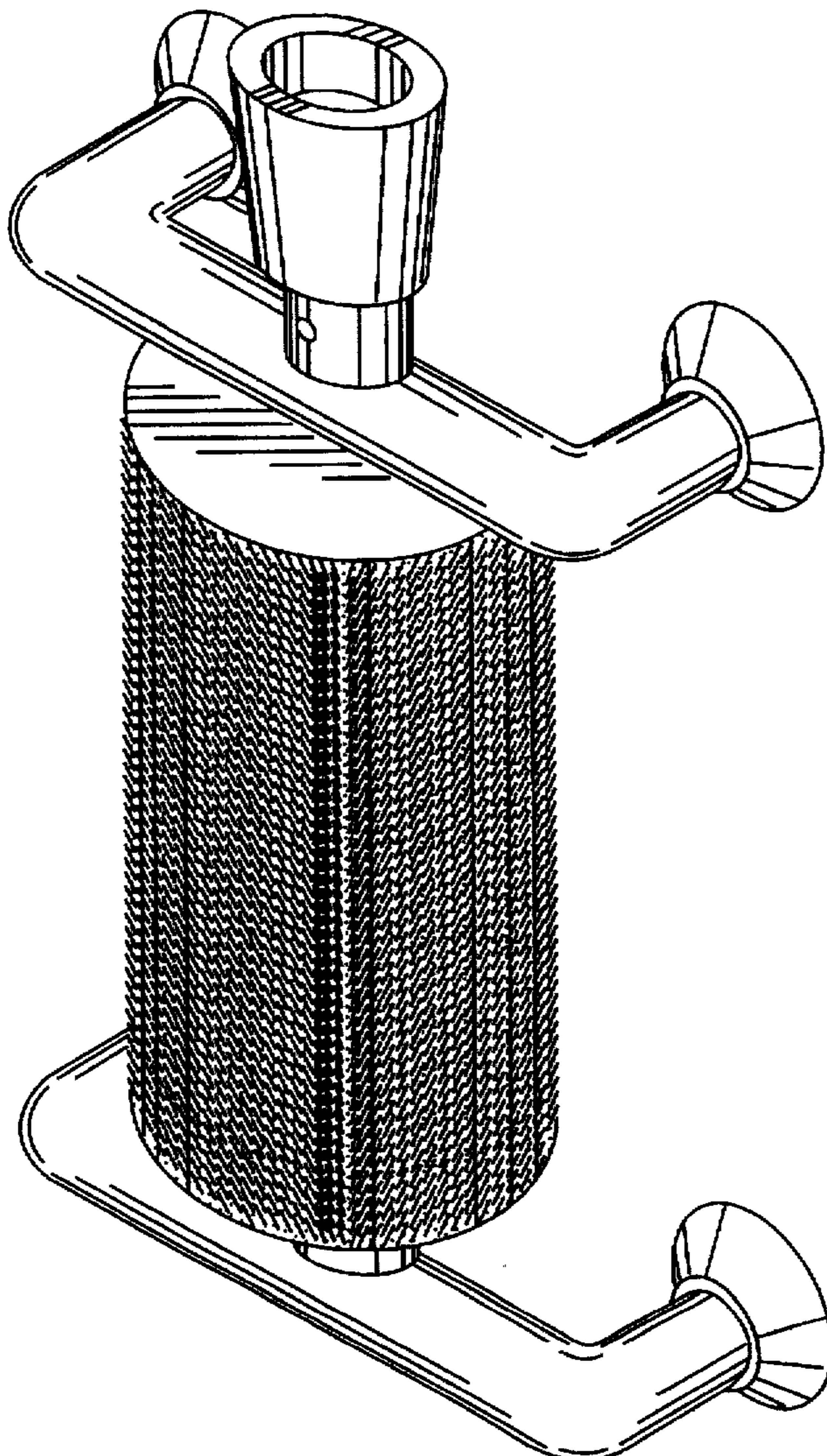
FIG. 1 is a perspective view of a back brush showing my new design;  
FIG. 2 is a front elevational view thereof;  
FIG. 3 is a rear view thereof;  
FIG. 4 is a left side view thereof;  
FIG. 5 is a right side view thereof;  
FIG. 6 is a top view thereof; and,  
FIG. 7 is a bottom view thereof.

### [56] References Cited

#### U.S. PATENT DOCUMENTS

D. 358,258 5/1995 Gingras ..... D4/115  
3,478,369 11/1969 Ensley ..... 4/606  
3,631,560 1/1972 Atkins ..... 4/606 X

**1 Claim, 4 Drawing Sheets**



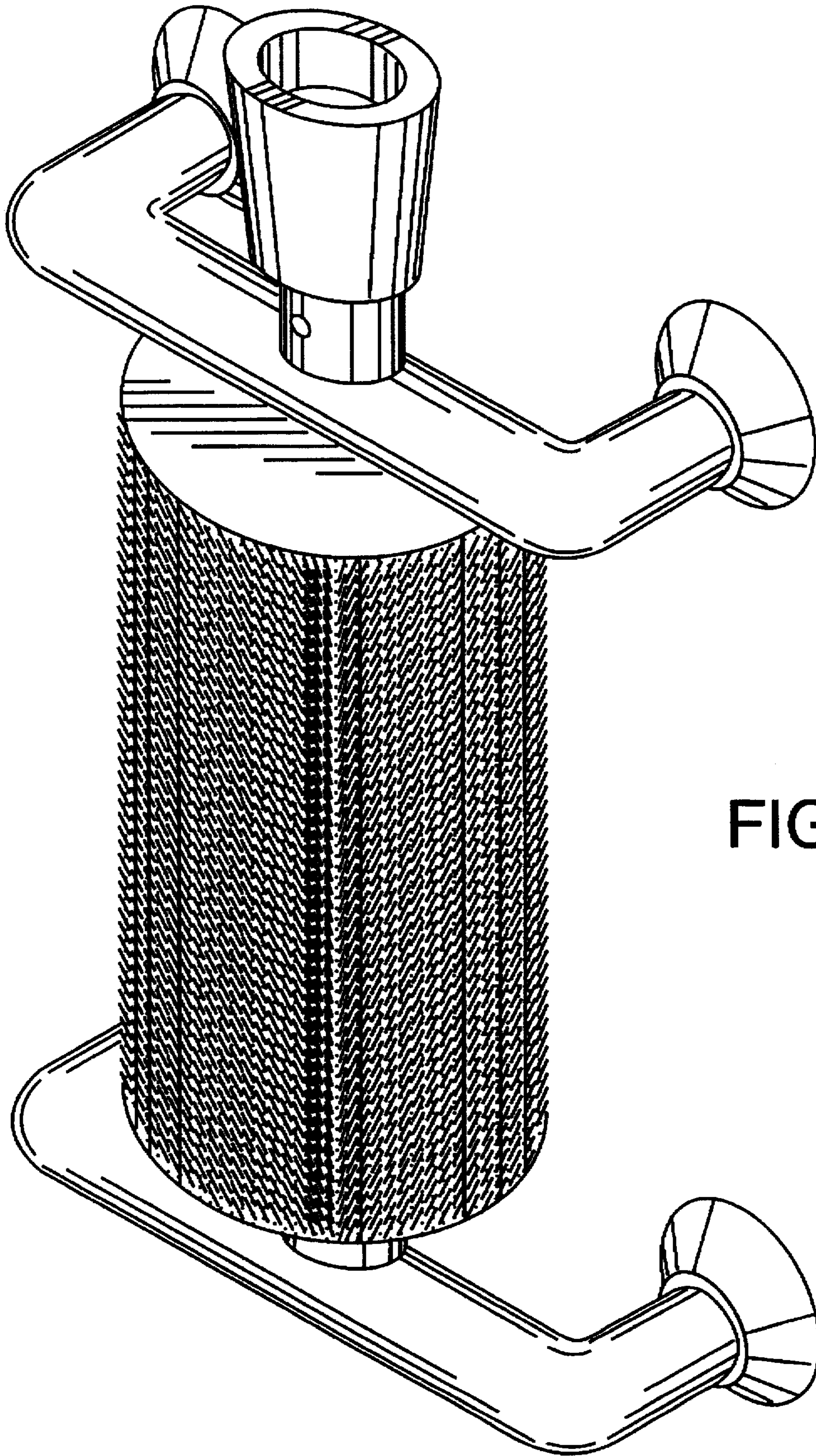


FIG. 1

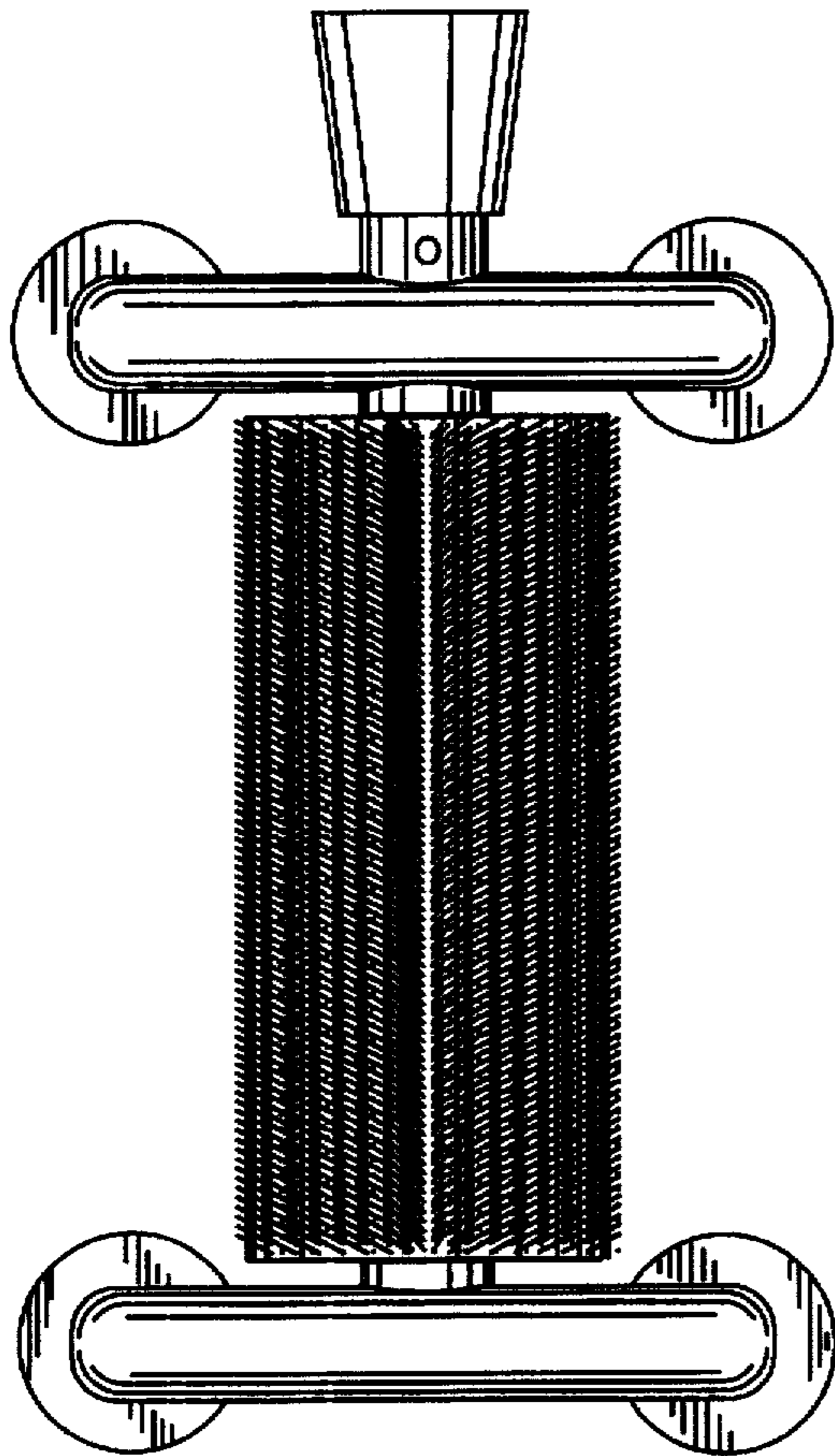
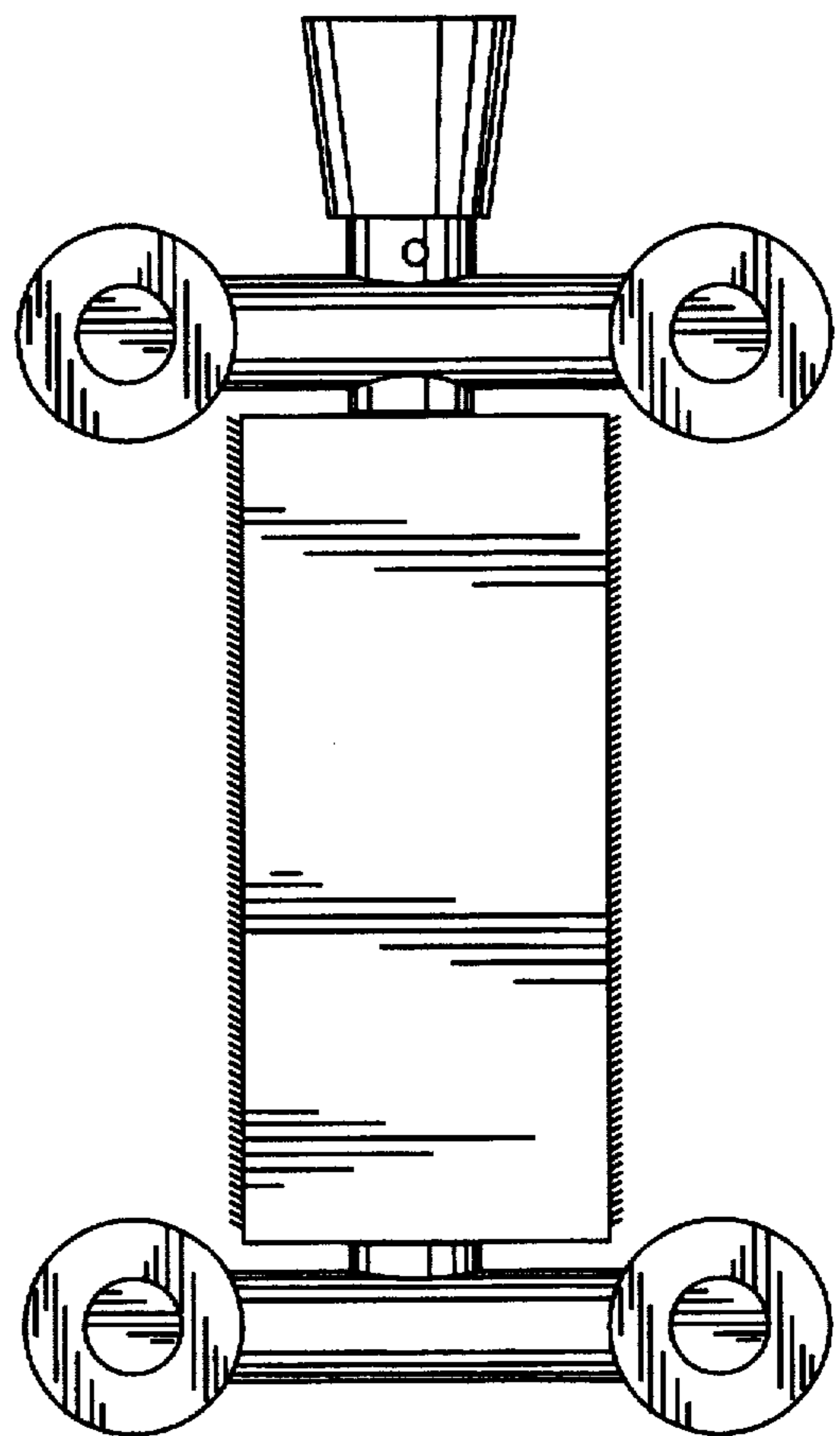


FIG. 2

FIG. 3



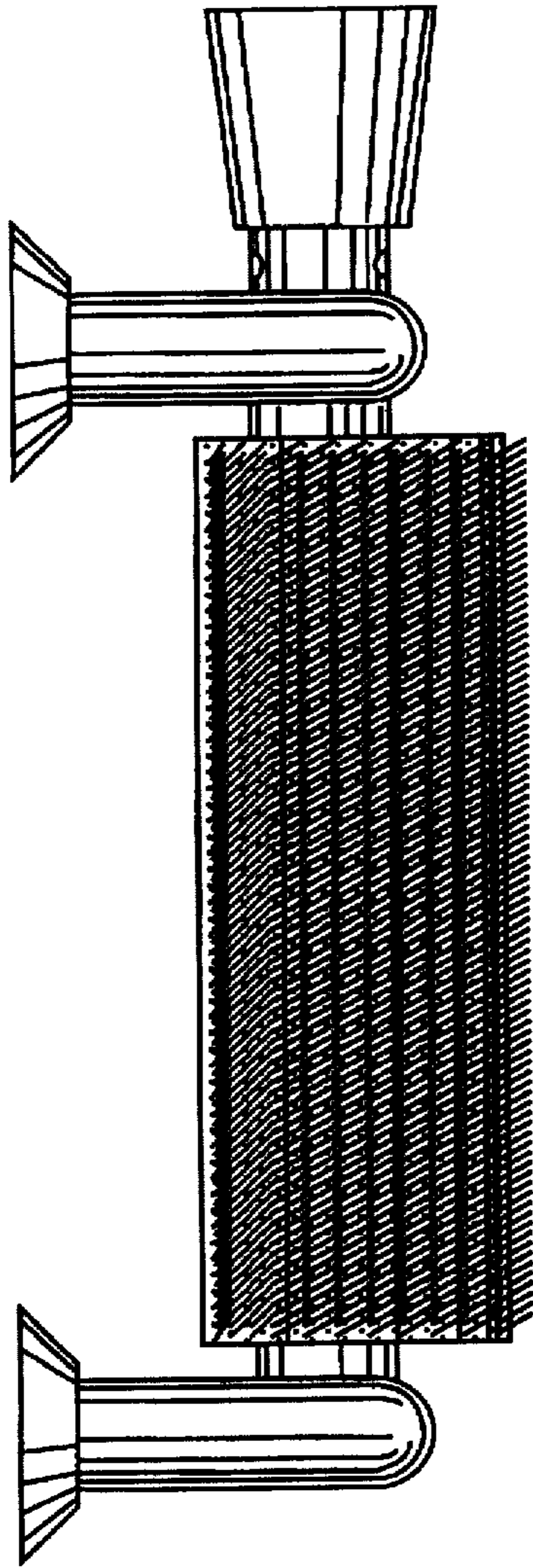


FIG. 4

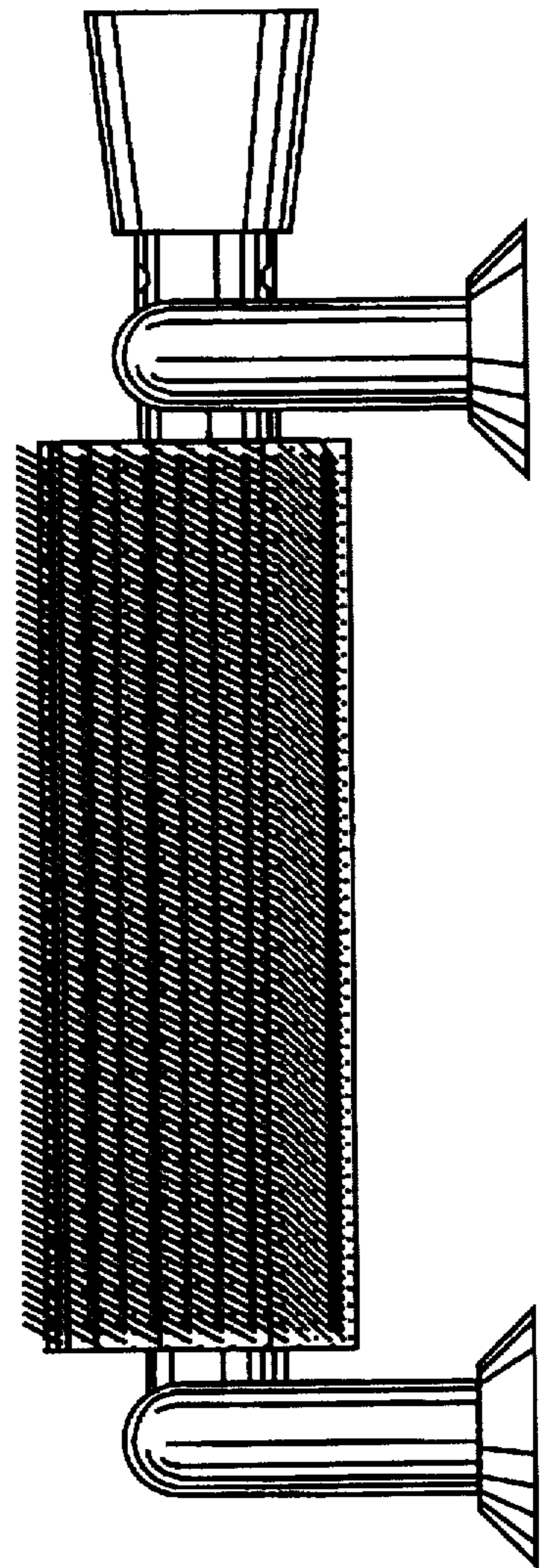


FIG. 5

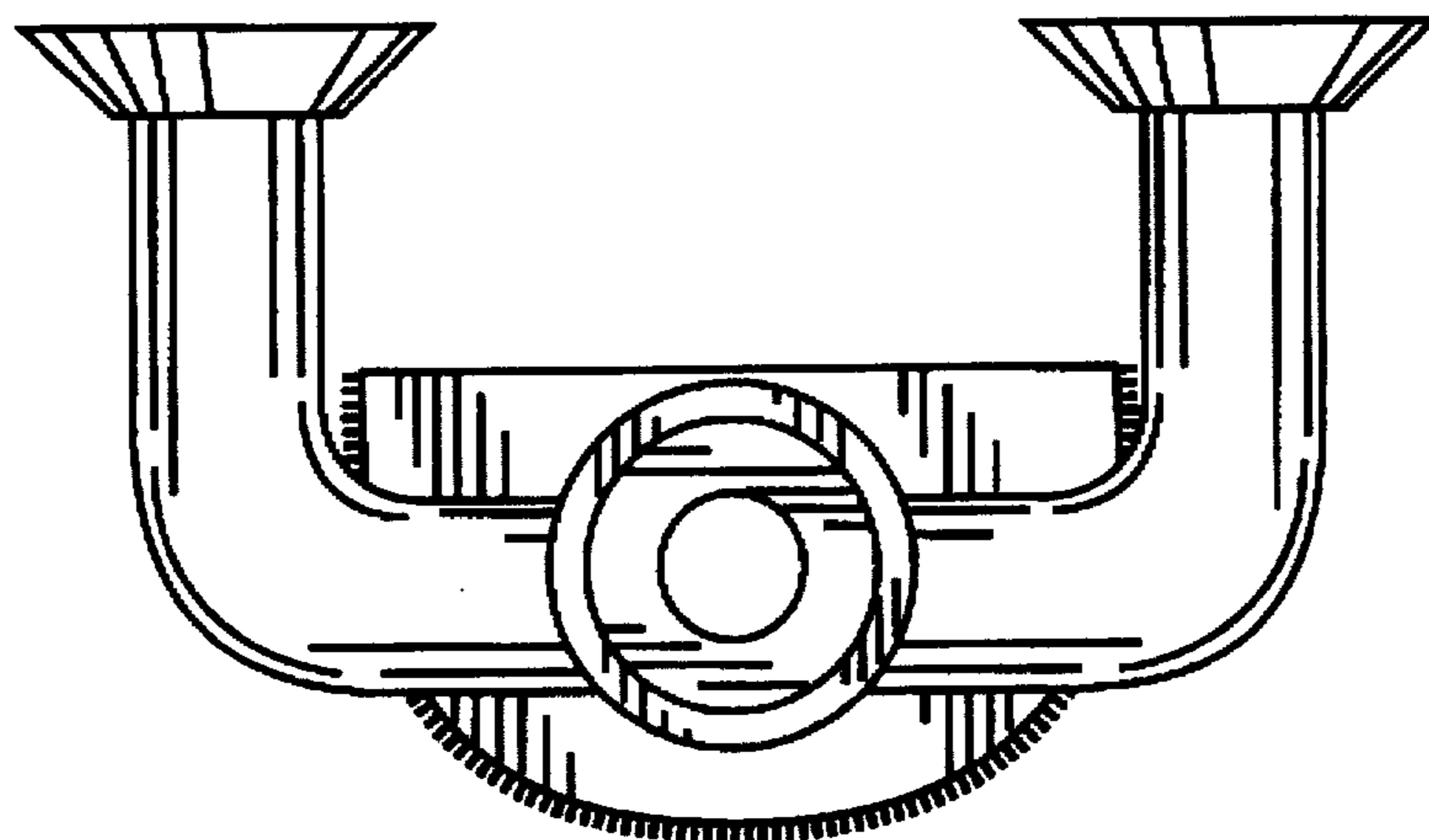


FIG. 6

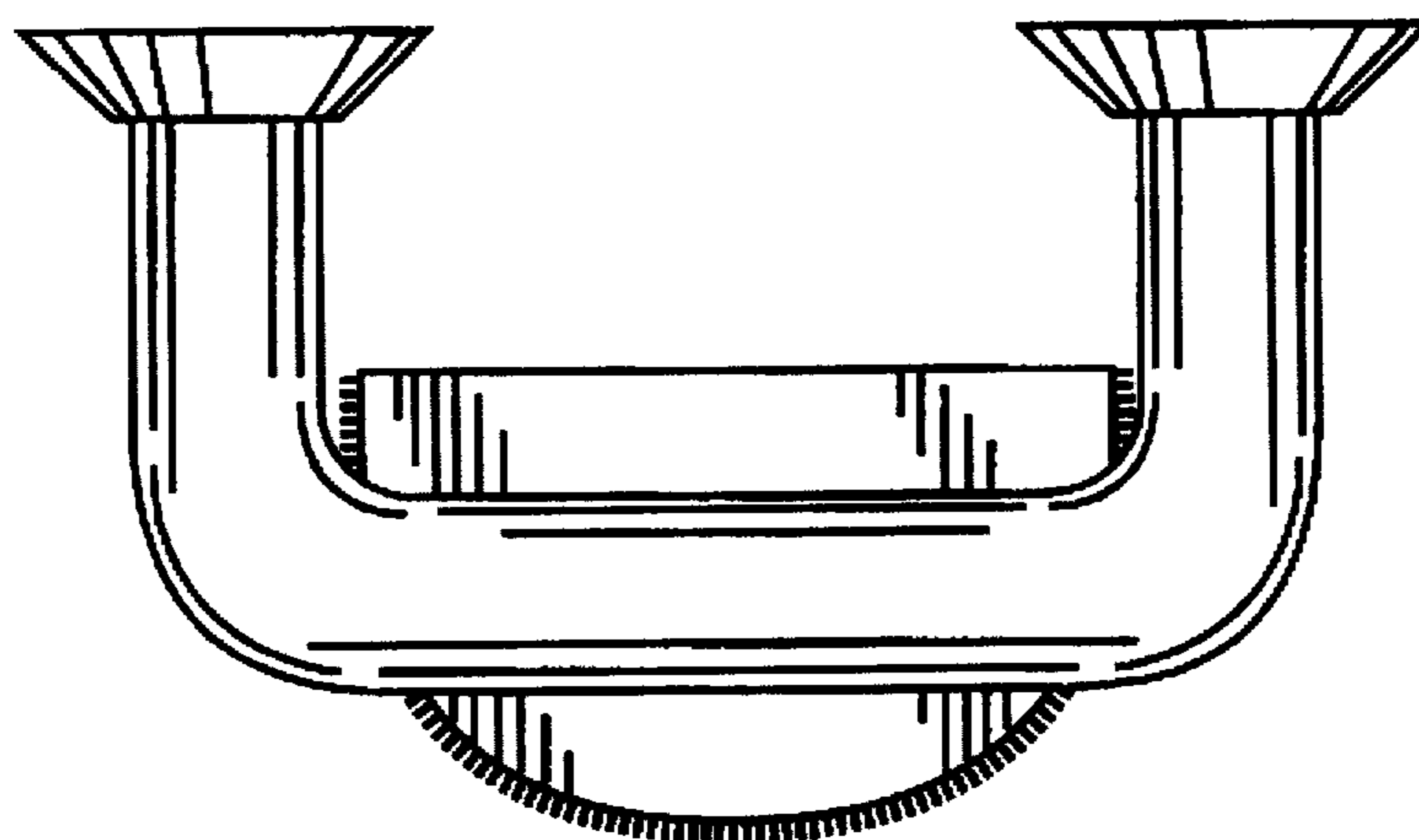


FIG. 7