



US00D389268S

United States Patent [19]
Kay

[11] **Patent Number:** **Des. 389,268**
[45] **Date of Patent:** ****Jan. 13, 1998**

[54] **LIGHT FIXTURE COWL**

[75] **Inventor:** **Melissa S. Kay**, Norfolk, Va.
[73] **Assignee:** **The L.D. Kichler Co.**, Cleveland, Ohio
[**] **Term:** **14 Years**

[21] **Appl. No.:** **59,958**
[22] **Filed:** **Sep. 18, 1996**

[51] **LOC (6) Cl.** **26-05**
[52] **U.S. Cl.** **D26/118; D26/67**
[58] **Field of Search** **362/153, 153.1,**
362/341, 335, 337, 348, 350, 359; D26/118,
63, 67, 68

[56] **References Cited**

U.S. PATENT DOCUMENTS

D. 370,070 5/1996 Kay D26/67

OTHER PUBLICATIONS

Hadco Landscape lighting catalog, p. 9, lamp shroud #4-L, 1988.

Kim Lighting & Mfg. lighting catalog, p. 2, kimlight patio/landscape light, Aug. 1964.

Primary Examiner—Susan J. Lucas

Attorney, Agent, or Firm—Watts, Hoffmann, Fisher & Heinke, Co., L.P.A.

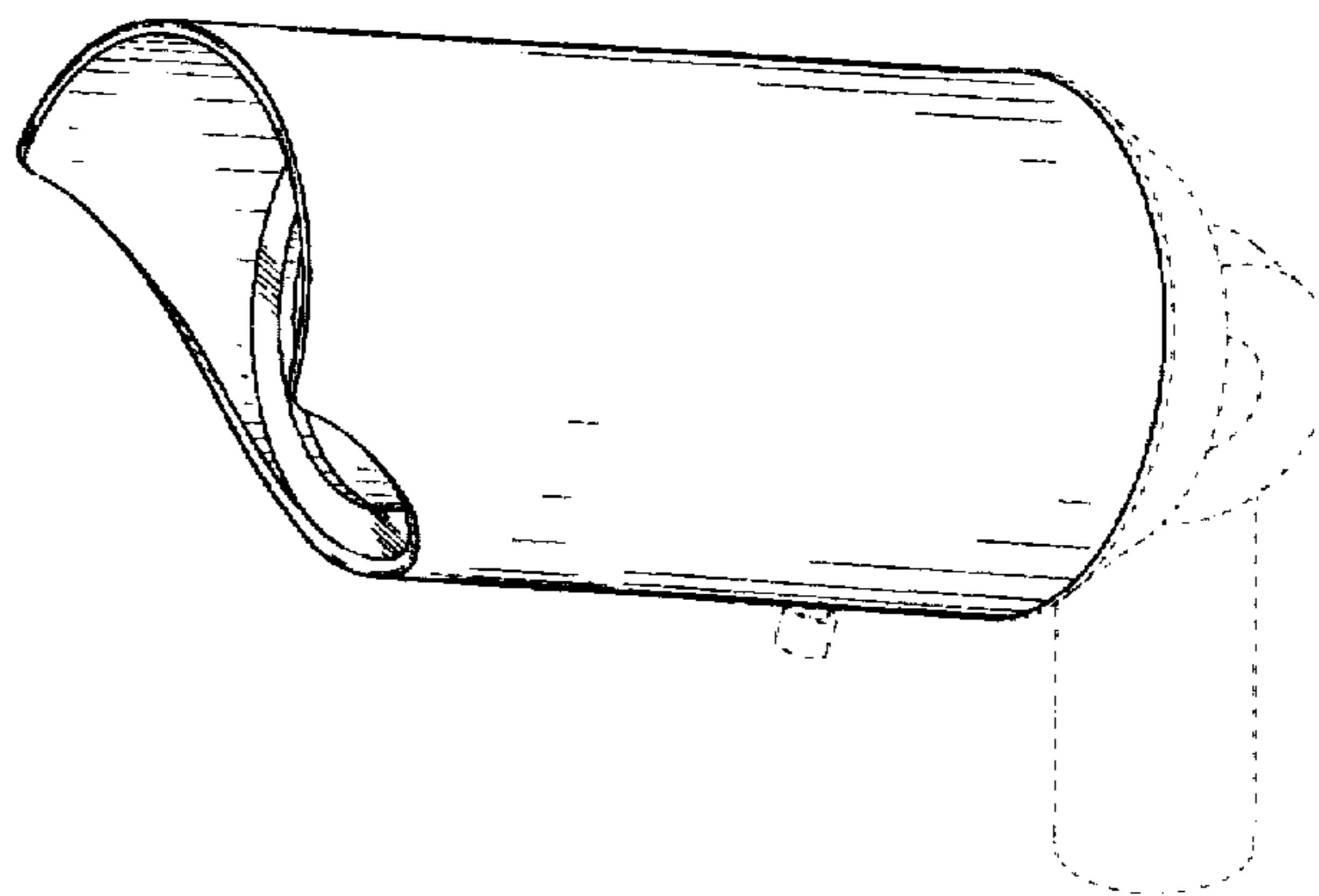
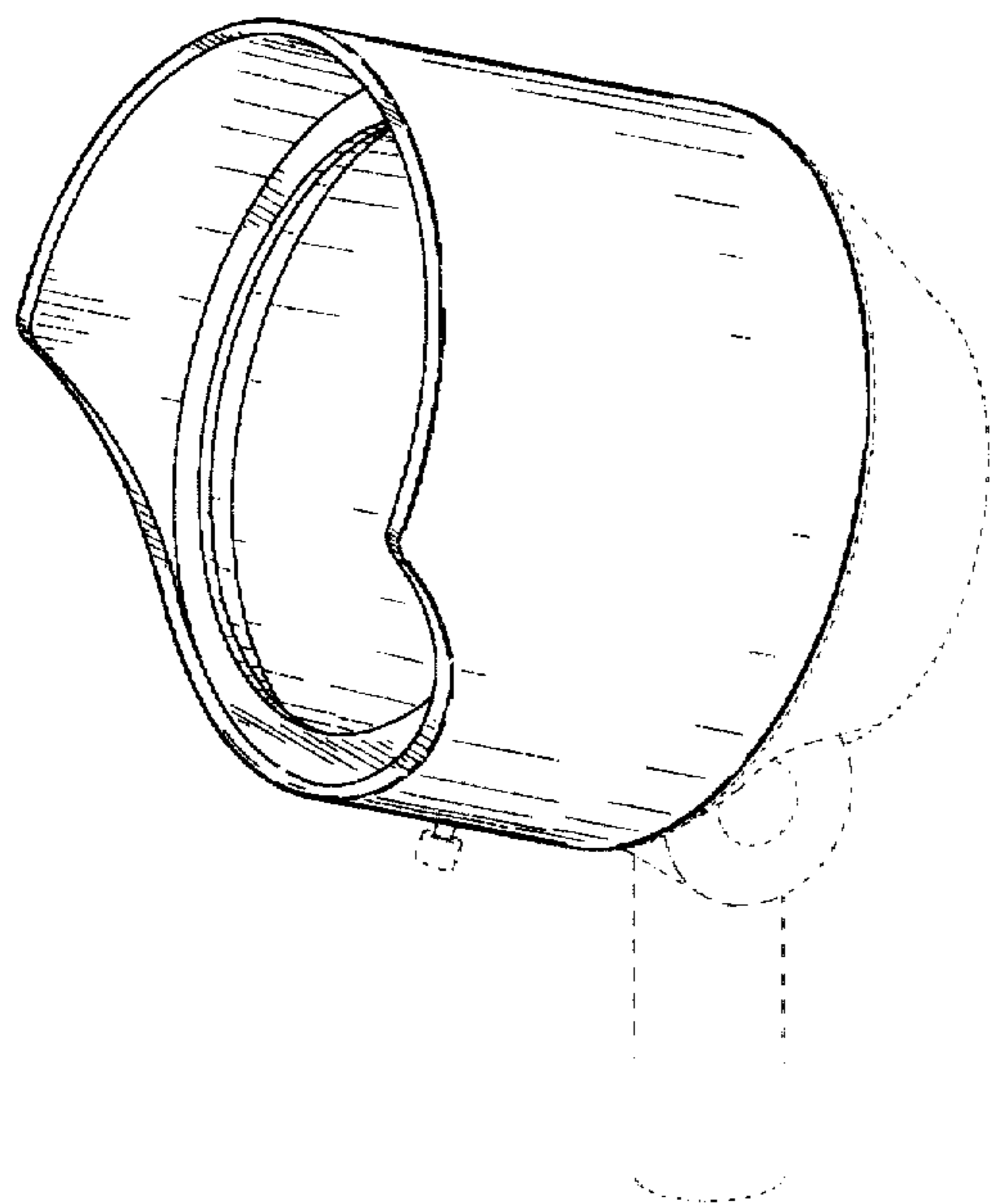
[57] **CLAIM**

The ornamental design for a light fixture cowl, as shown and described.

DESCRIPTION

FIG. 1 is a perspective view of a light fixture cowl showing my new design;
FIG. 2 is a right side elevational view of the light fixture cowl, the left side elevational view being a mirror image;
FIG. 3 is a front side elevational view of the light fixture cowl;
FIG. 4 is a rear side elevational view of the light fixture cowl;
FIG. 5 is a top plan view of the light fixture cowl;
FIG. 6 is a bottom plan view of the light fixture cowl;
FIG. 7 is a perspective view of a second embodiment of my new design showing a larger version of the light fixture cowl;
FIG. 8 is a right side elevational view of the light fixture cowl, the left side elevational view being a mirror image;
FIG. 9 is a top plan view of the light fixture cowl;
FIG. 10 is a bottom plan view of the light fixture cowl;
FIG. 11 is a front side elevational view of the light fixture cowl; and,
FIG. 12 is a rear side elevational view of the light fixture cowl.
The broken lines are for illustrative purposes only and form no part of the claimed design.

1 Claim, 4 Drawing Sheets



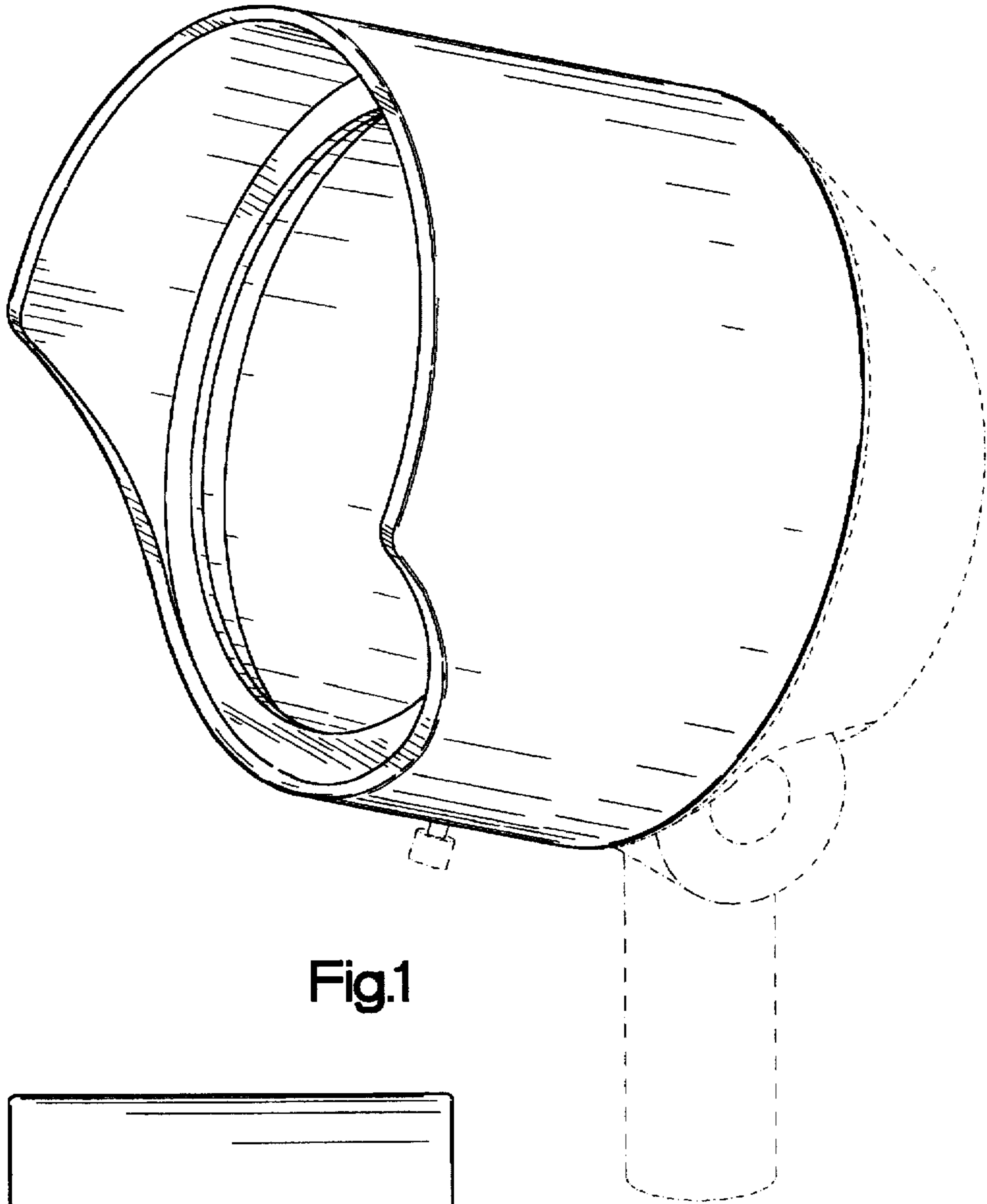


Fig.1

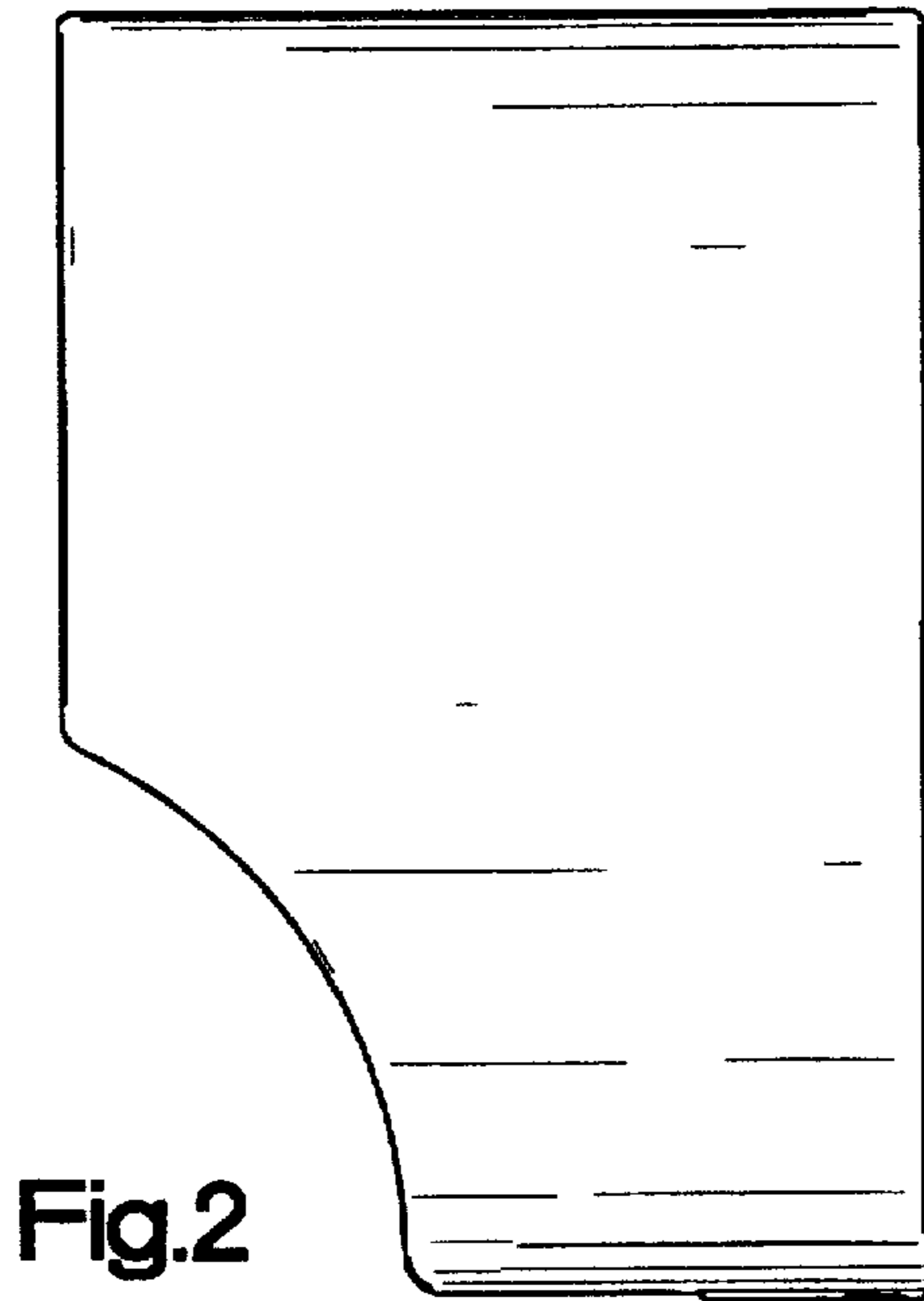


Fig.2

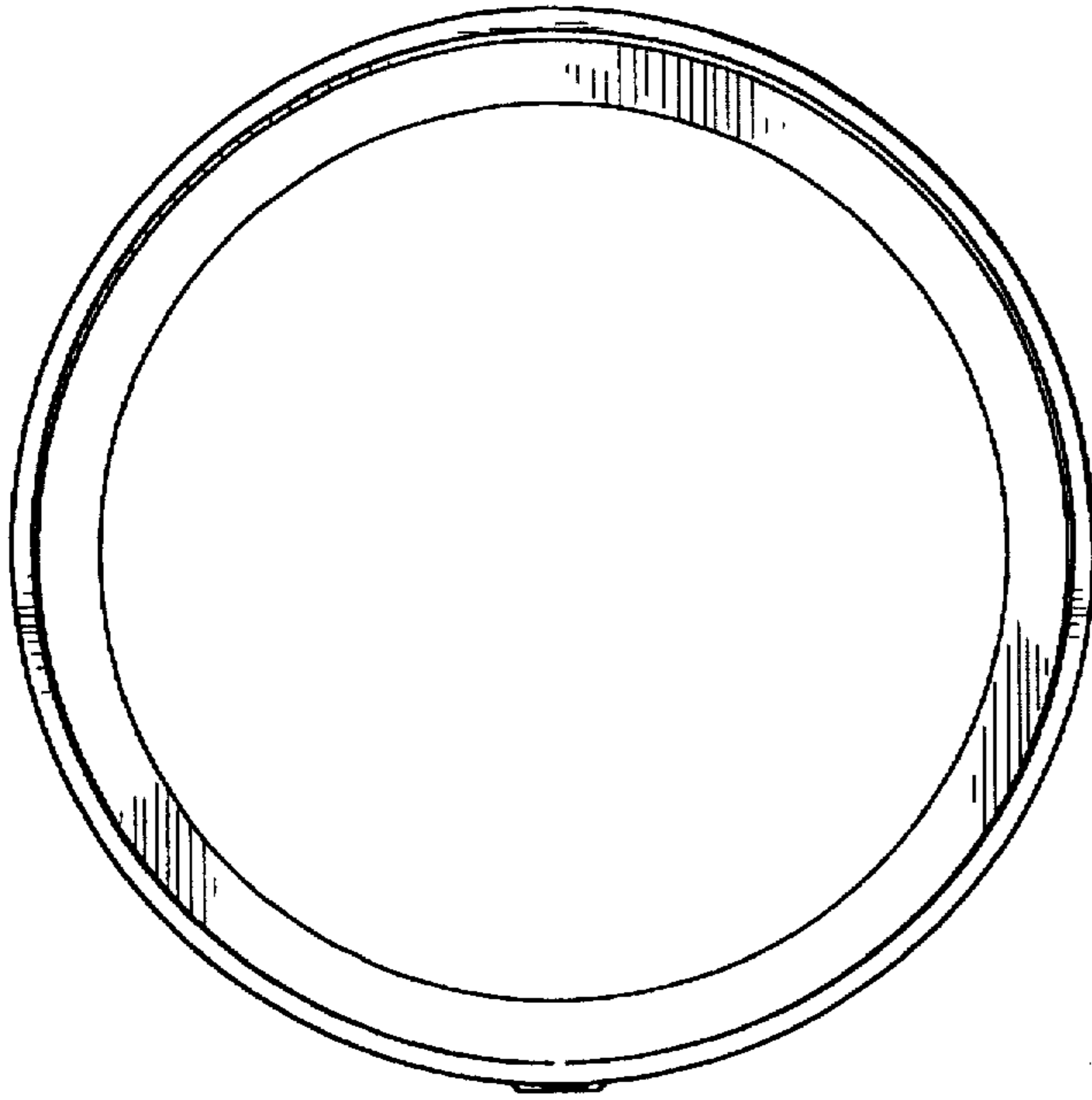


Fig.3

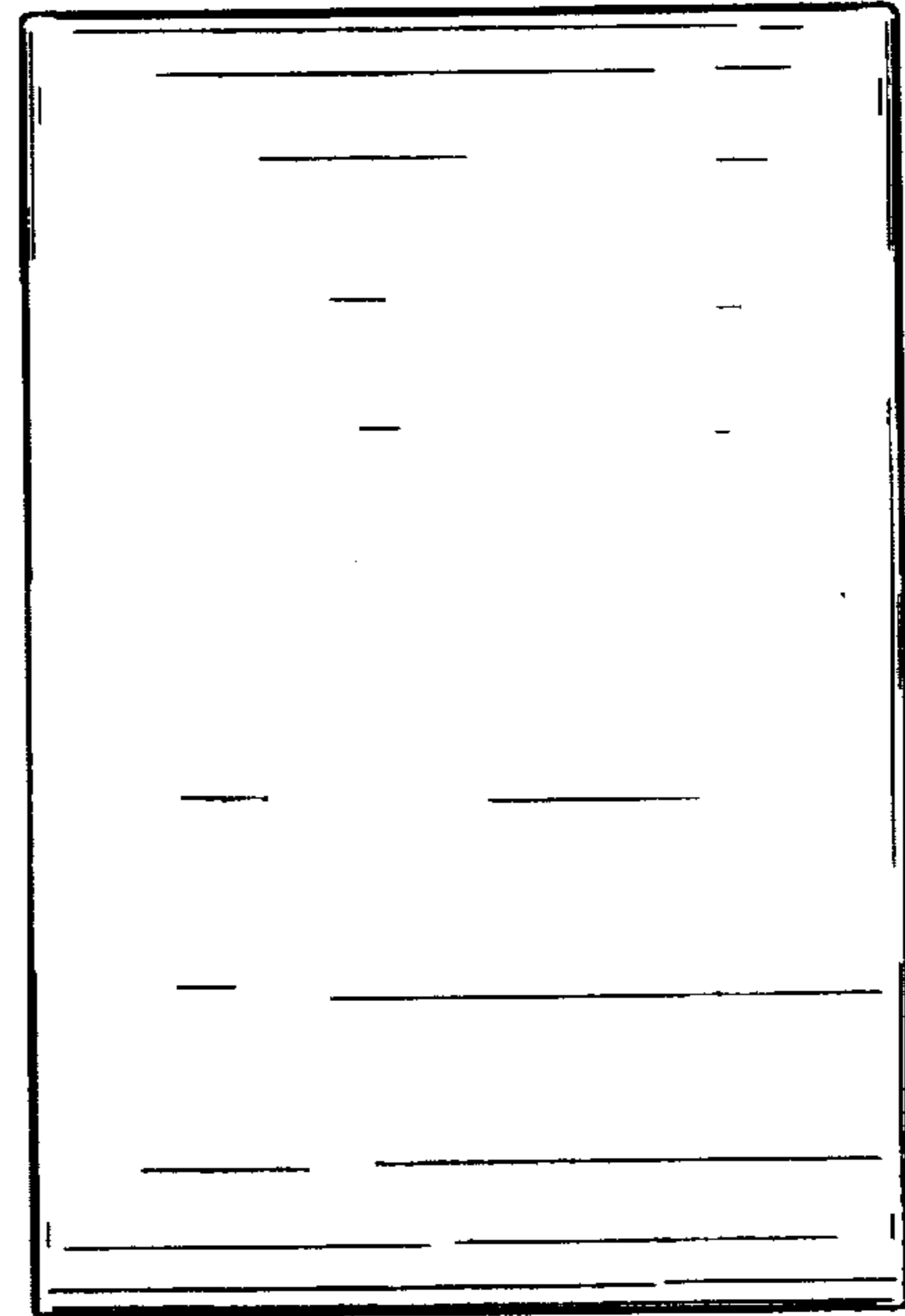


Fig.5

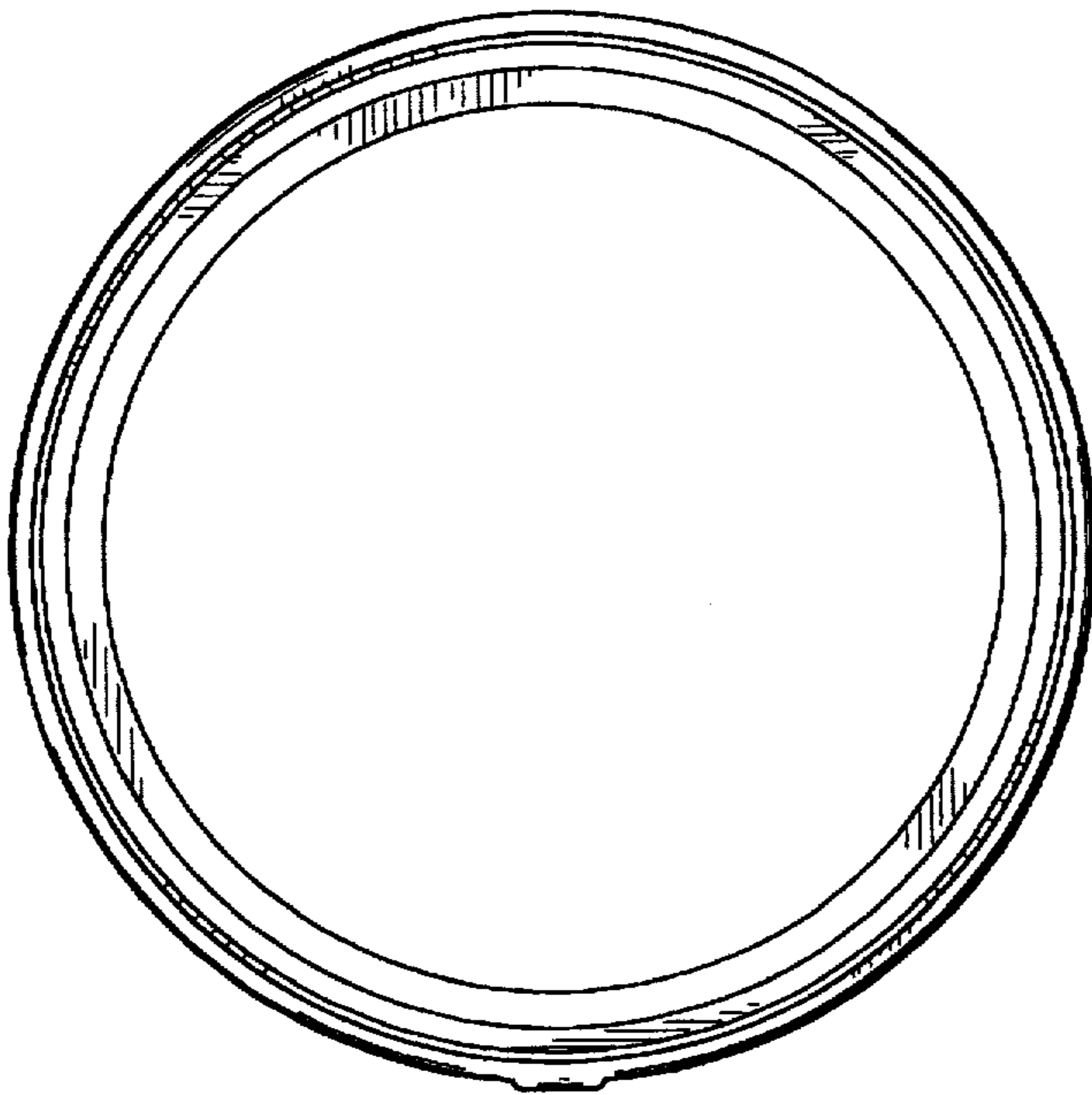


Fig.4

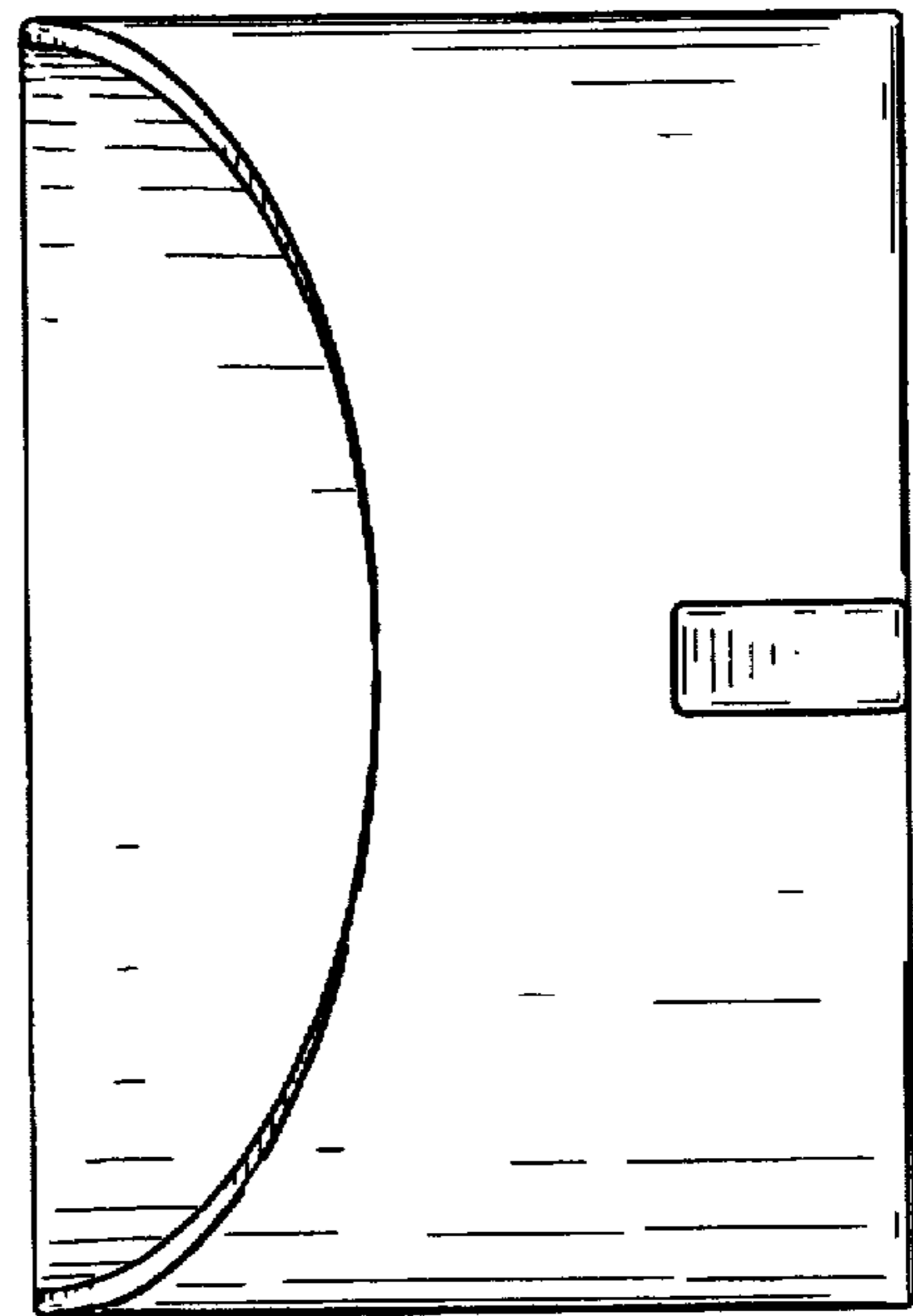


Fig.6

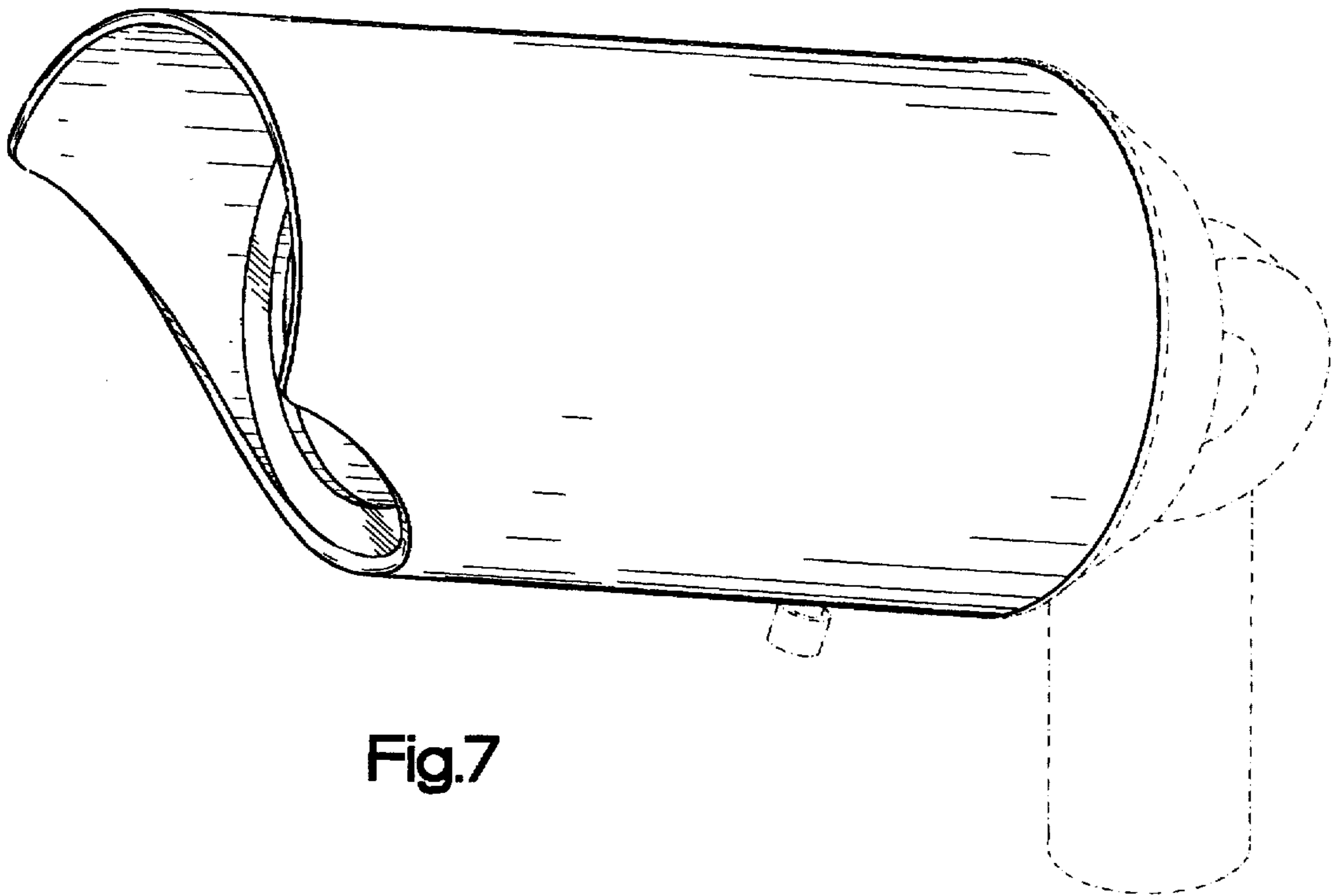


Fig.7

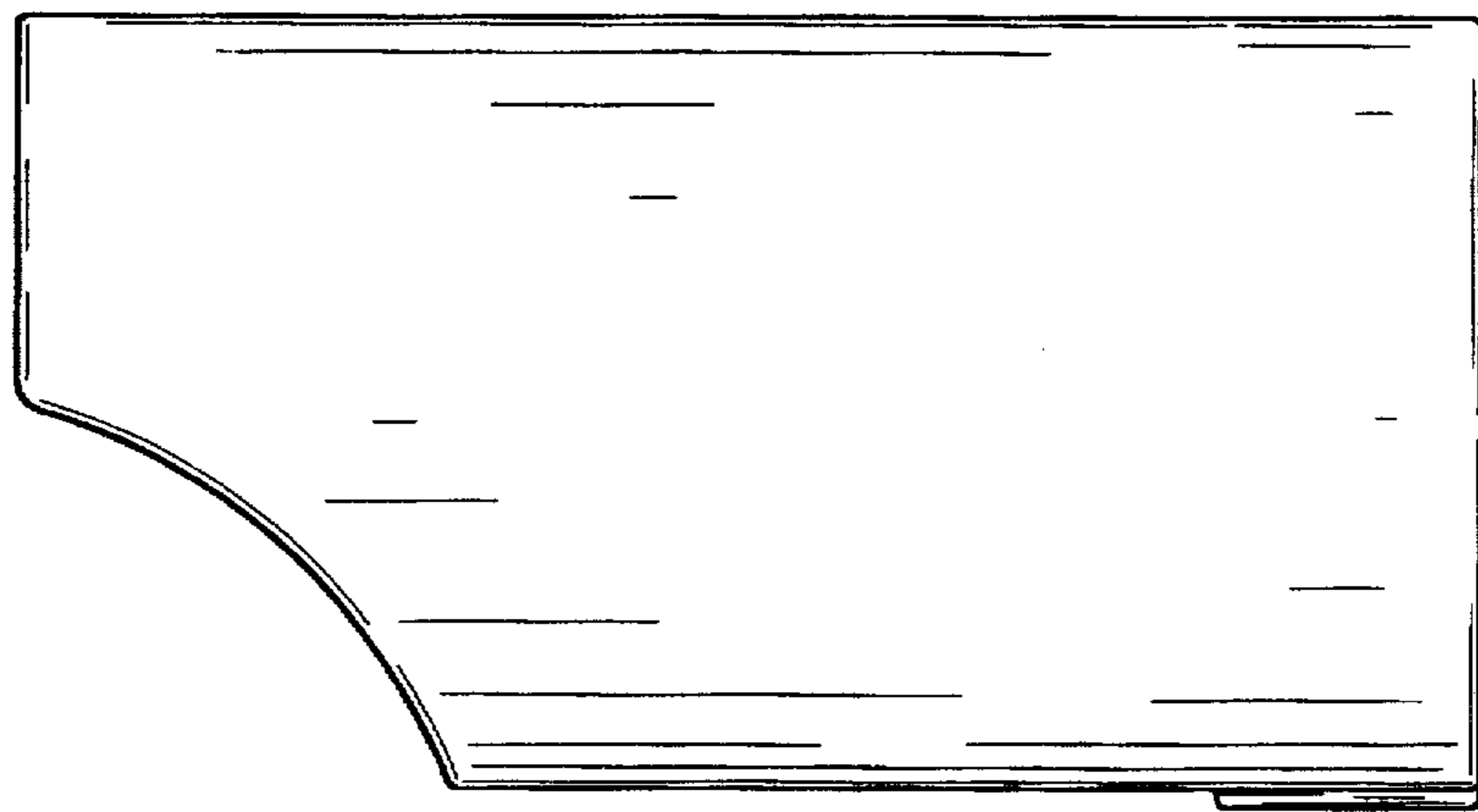


Fig.8

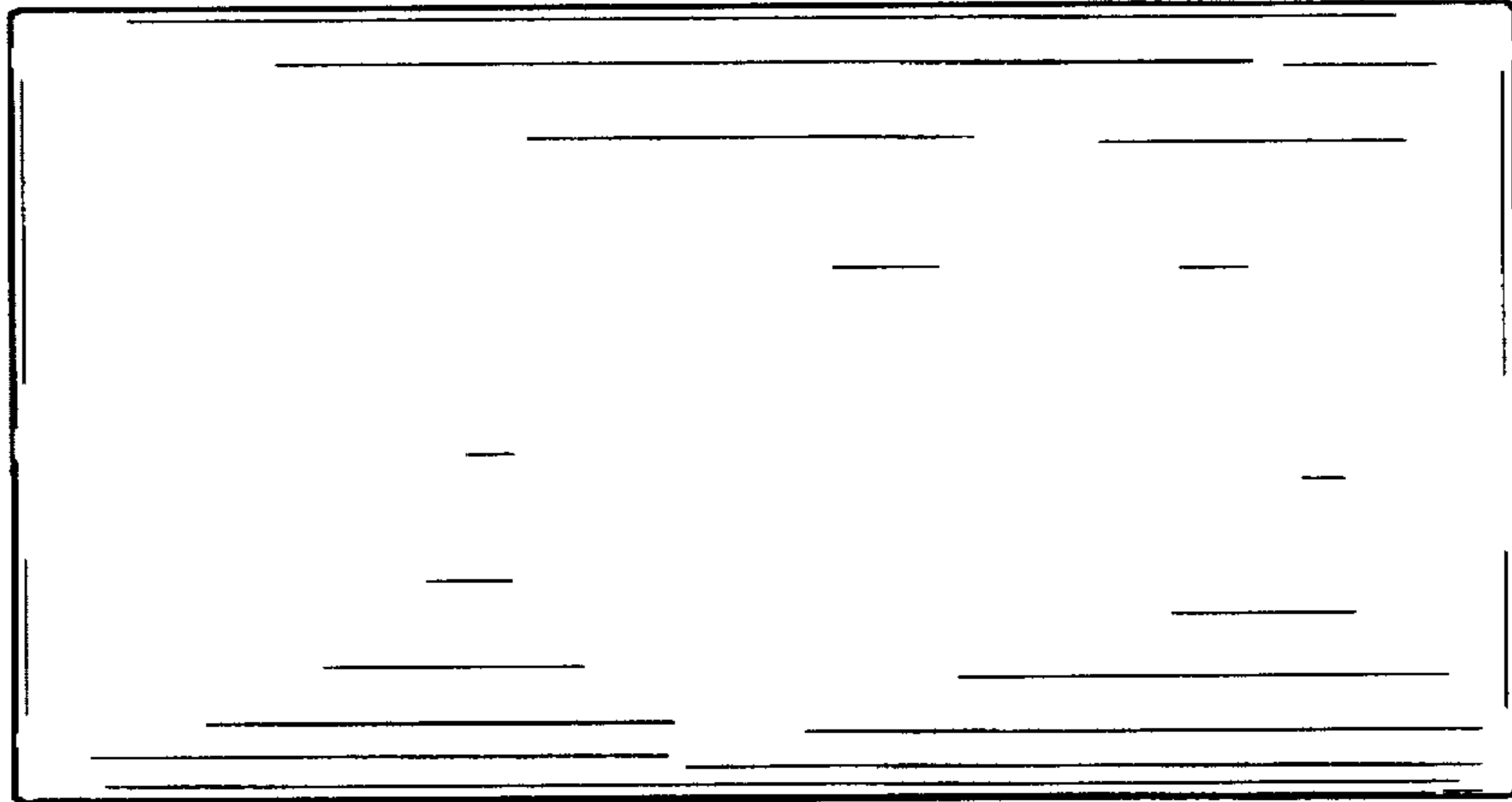


Fig.9

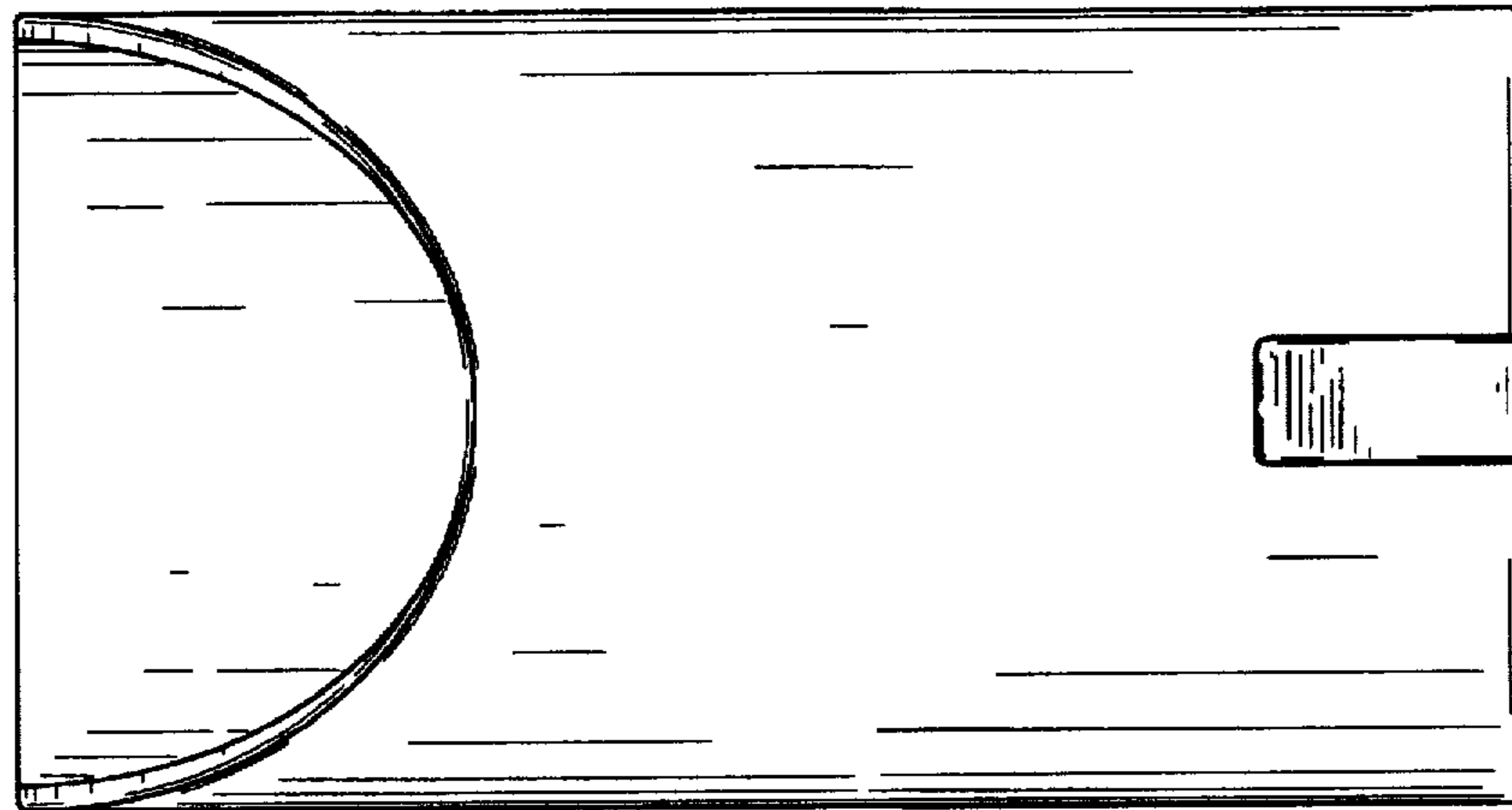


Fig.10

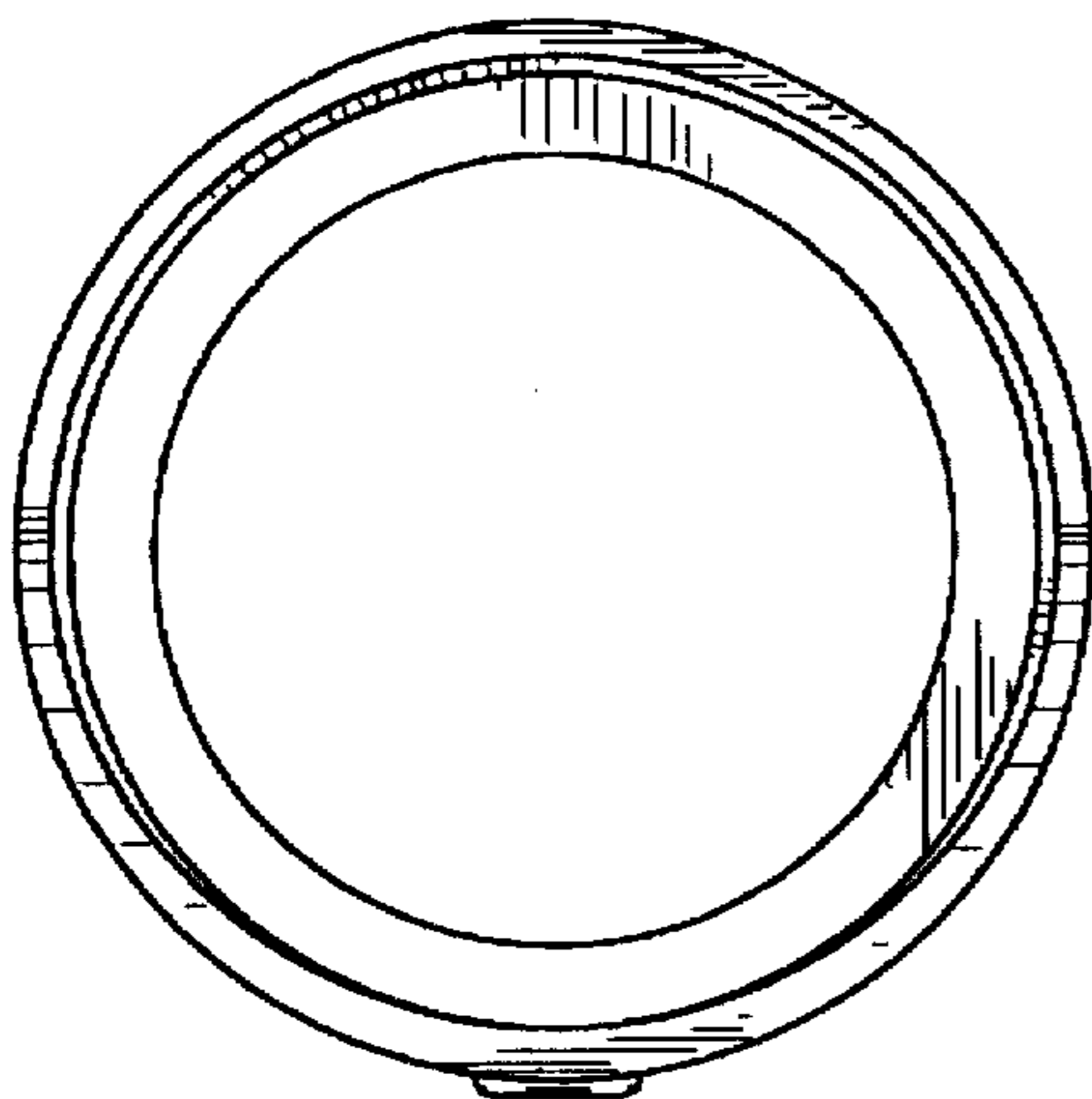


Fig.11

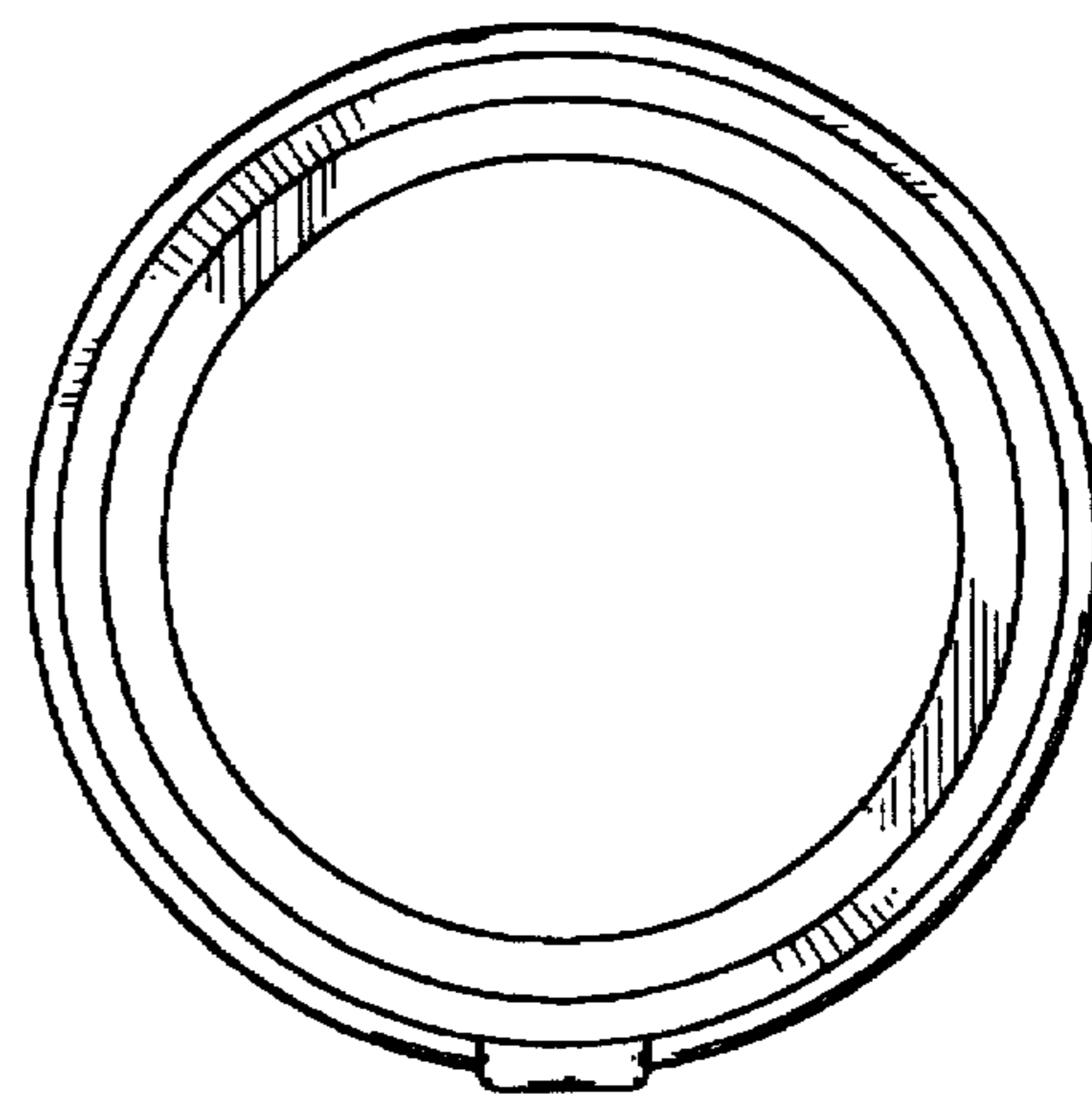


Fig.12