



US00D389265S

United States Patent [19]

[11] Patent Number: **Des. 389,265**

Littman et al.

[45] Date of Patent: ****Jan. 13, 1998**

[54] LIGHTING FIXTURE

OTHER PUBLICATIONS

[75] Inventors: **Sandra E. Littman; Kirina S. Kaufman**, both of New York, N.Y.

Home Lighting and Accessoriers, p. 56, Beverly Hills Fan Co., wall sconce, Jun. 1994.

[73] Assignee: **Sandy Littman, Inc.**, New York, N.Y.

Kalco Lighting Catalog, p. 75, wall lamp #932ABBG, 1992.

[**] Term: **14 Years**

Primary Examiner—Susan J. Lucas

Attorney, Agent, or Firm—Schweitzer Cornman Gross & Bondell LLP

[21] Appl. No.: **48,317**

[57] CLAIM

[22] Filed: **Dec. 26, 1995**

The ornamental design of a lighting fixture, as shown and described.

[51] LOC (6) Cl. **26-05**

[52] U.S. Cl. **D26/87**

[58] Field of Search **D26/72, 80-92;**
362/147, 404-407, 432

DESCRIPTION

[56] References Cited

FIG. 1 is a front elevational view of the lighting fixture showing our new design;

FIG. 2 is a top plan view thereof;

FIG. 3 is a bottom plan view thereof;

FIG. 4 is a side elevational view thereof; and,

FIG. 5 is a rear elevational view thereof.

U.S. PATENT DOCUMENTS

D. 42,808	7/1912	Recker	D26/88
D. 71,925	1/1927	Opperman	D26/92
D. 177,715	5/1956	Clemens	D26/87

1 Claim, 3 Drawing Sheets

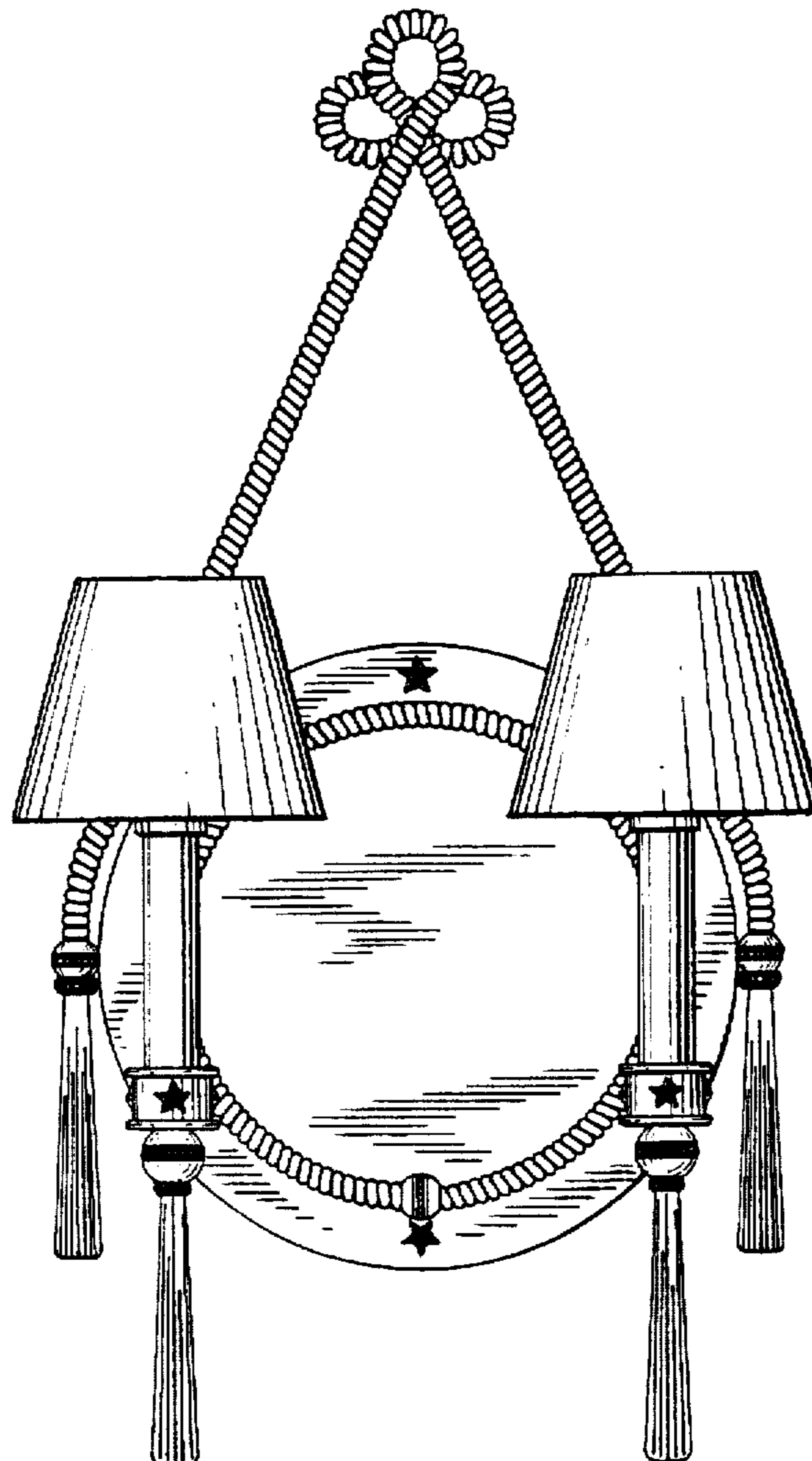


FIG. 1

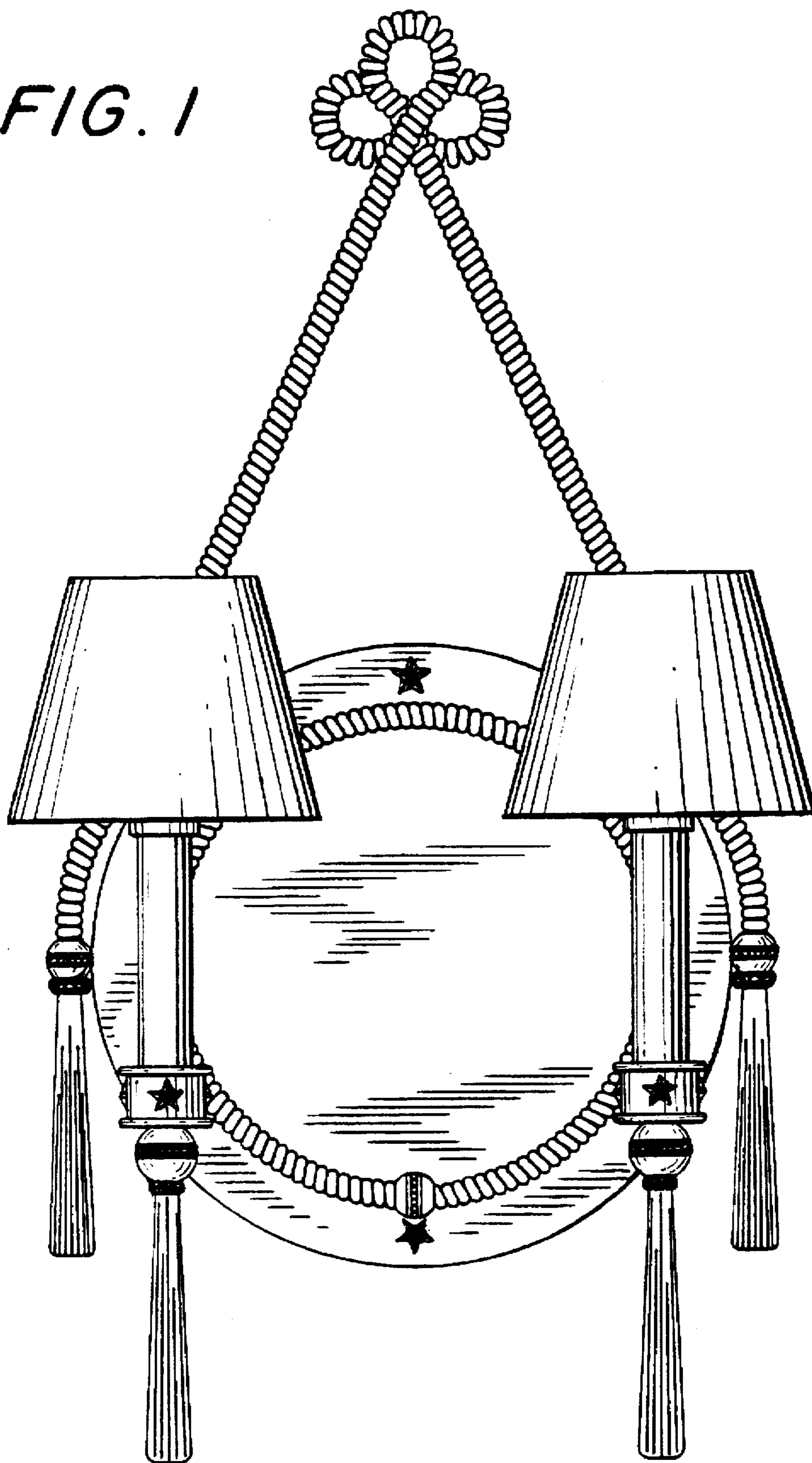


FIG. 2

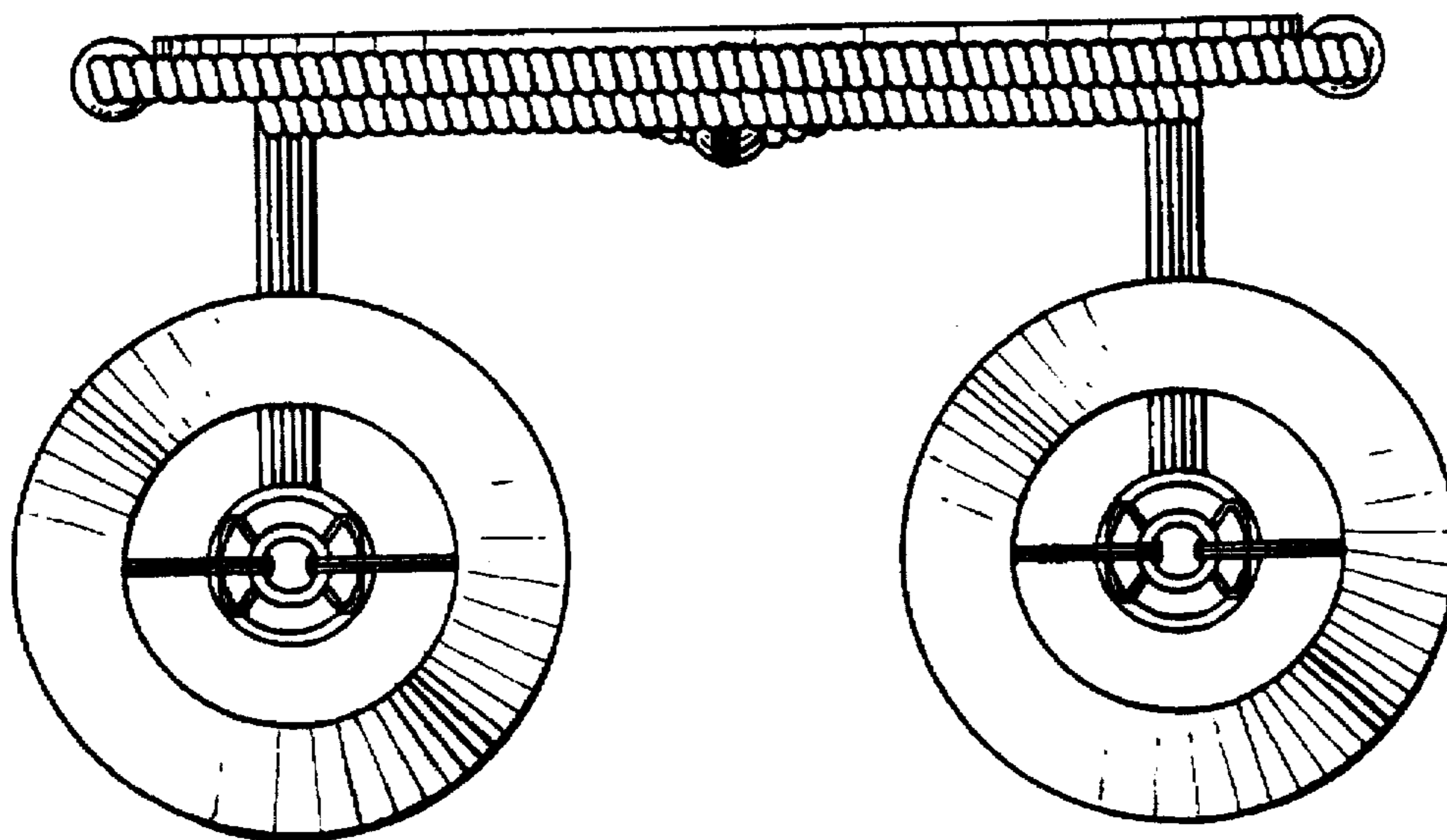


FIG. 3

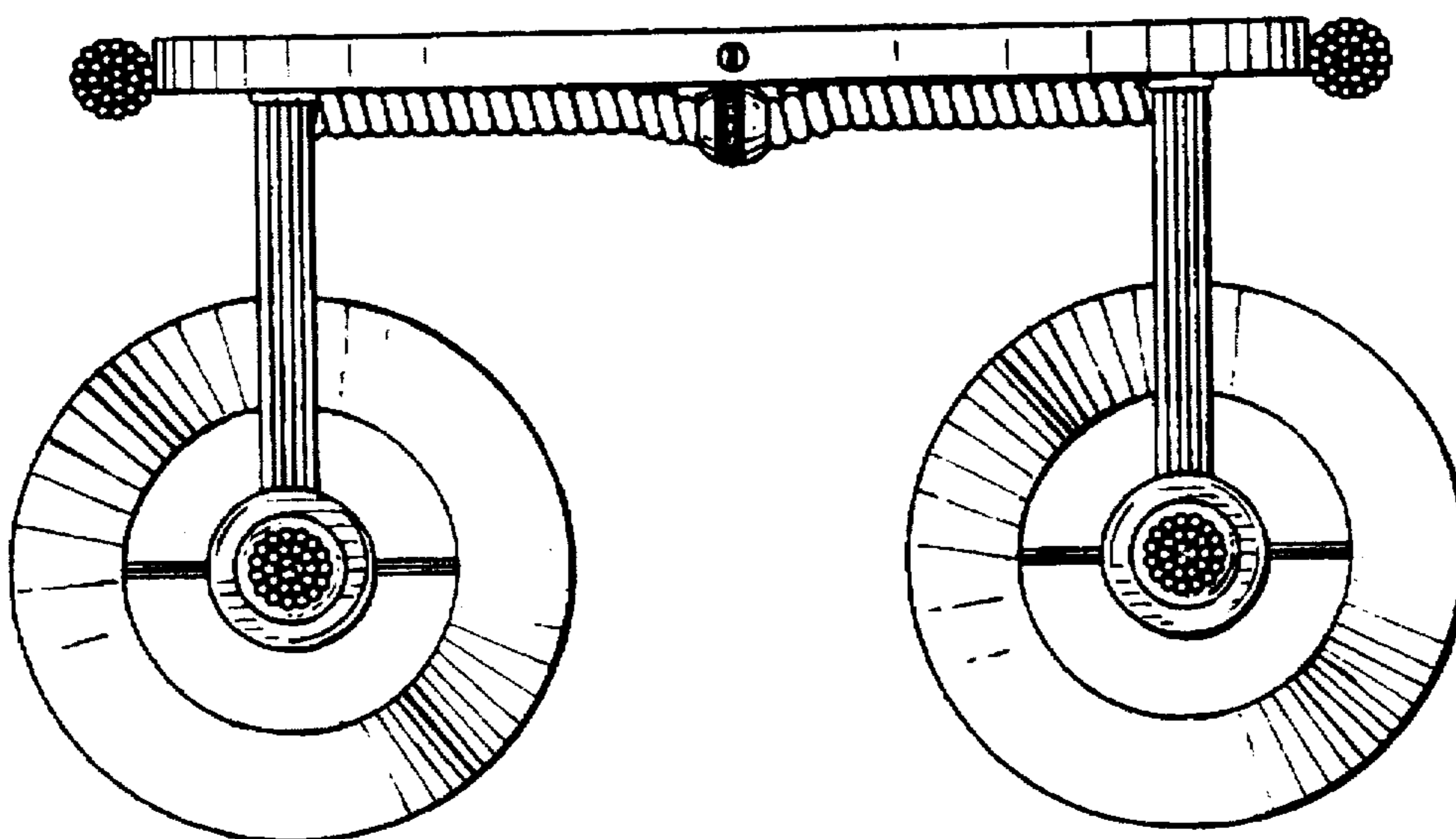


FIG. 4

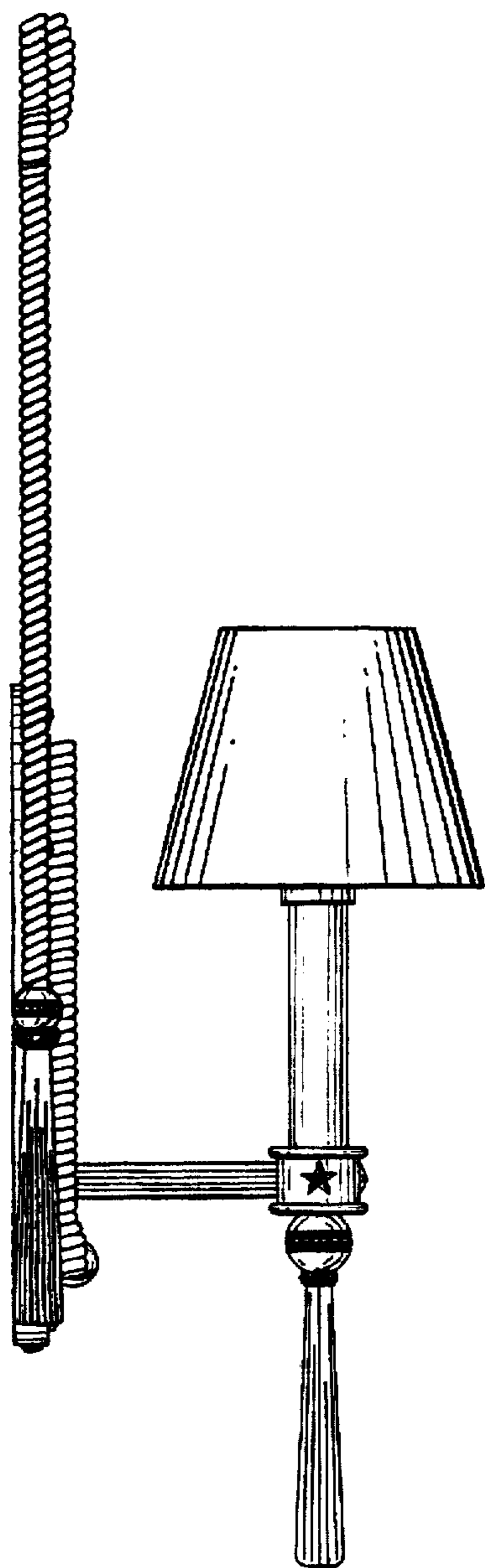


FIG. 5

