



US00D389261S

United States Patent [19]
Lin

[11] **Patent Number:** **Des. 389,261**
[45] **Date of Patent:** ****Jan. 13, 1998**

[54] **ADJUSTABLE TRACKLIGHT**

[76] **Inventor:** **Shan Chaing Lin**, No. 2, Lane 111, Ta
Chu Road, Lu Chu Hsiang, Taoyuan
Hsien, Taiwan

[**] **Term:** **14 Years**

[21] **Appl. No.:** **62,990**

[22] **Filed:** **Nov. 15, 1996**

[51] **LOC (6) Cl.** **26-05**

[52] **U.S. Cl.** **D26/65**

[58] **Field of Search** **D26/60-66; 362/147,**
362/269, 275, 287, 418, 419, 427, 404

[56] **References Cited**

U.S. PATENT DOCUMENTS

D. 342,338 12/1993 Thun D26/63 X
4,837,667 6/1989 Grau 362/404 X
5,428,517 6/1995 Behringer 362/226 X

Primary Examiner—Susan J. Lucas
Attorney, Agent, or Firm—Bacon & Thomas

[57] **CLAIM**

The ornamental design for an adjustable tracklight, as shown and described.

DESCRIPTION

FIG. 1 is a perspective view of an adjustable tracklight showing my design;

FIG. 2 is a front elevational view thereof;

FIG. 3 is a rear elevational view thereof;

FIG. 4 is a left side elevational view thereof;

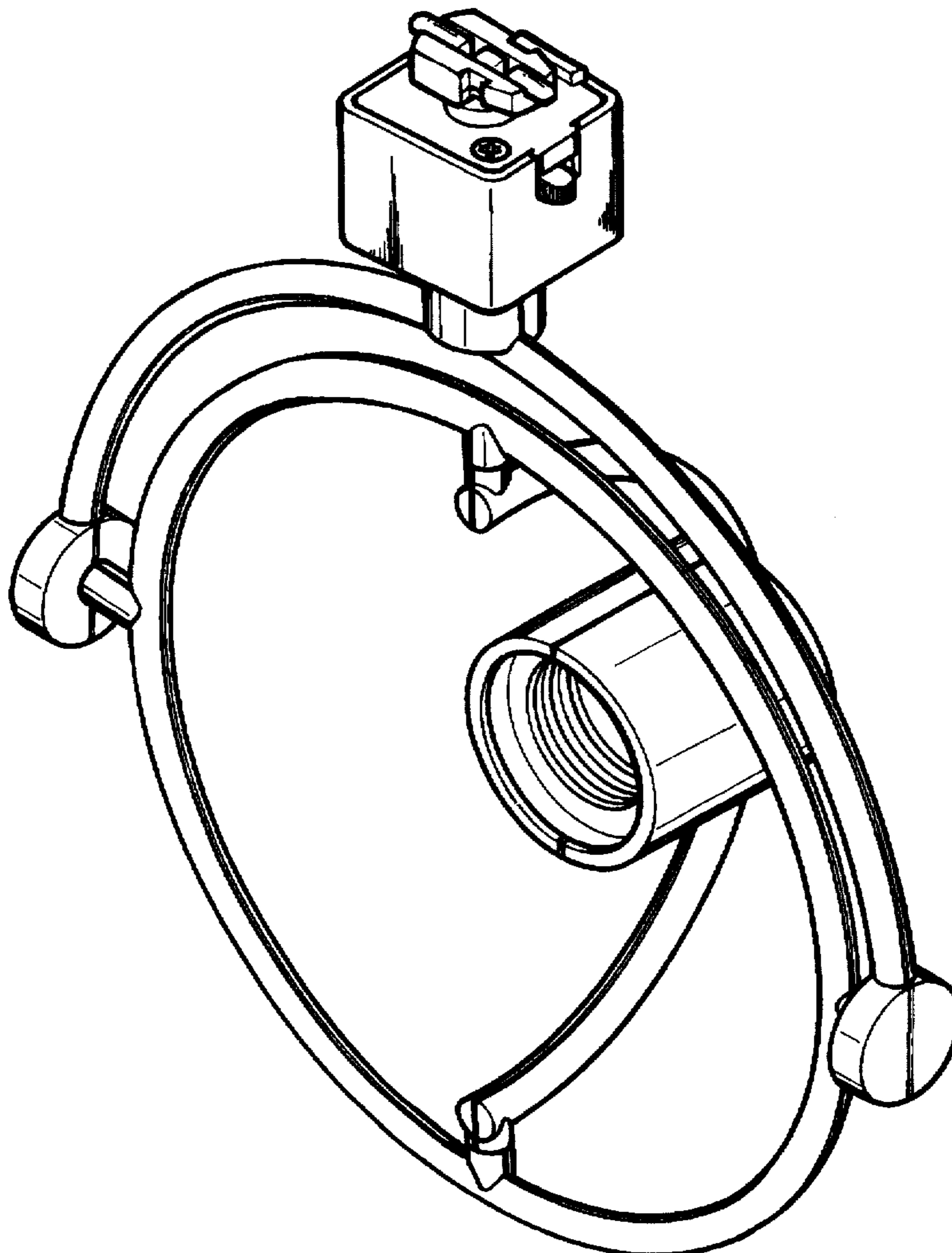
FIG. 5 is right side elevational view thereof;

FIG. 6 is a top plan view thereof;

FIG. 7 is a bottom plan view thereof; and,

FIG. 8 is a perspective view showing the adjustable tracklight, a bulb being shown in dotted lines, for illustrative purposes only and forming no part of the claimed design.

1 Claim, 7 Drawing Sheets



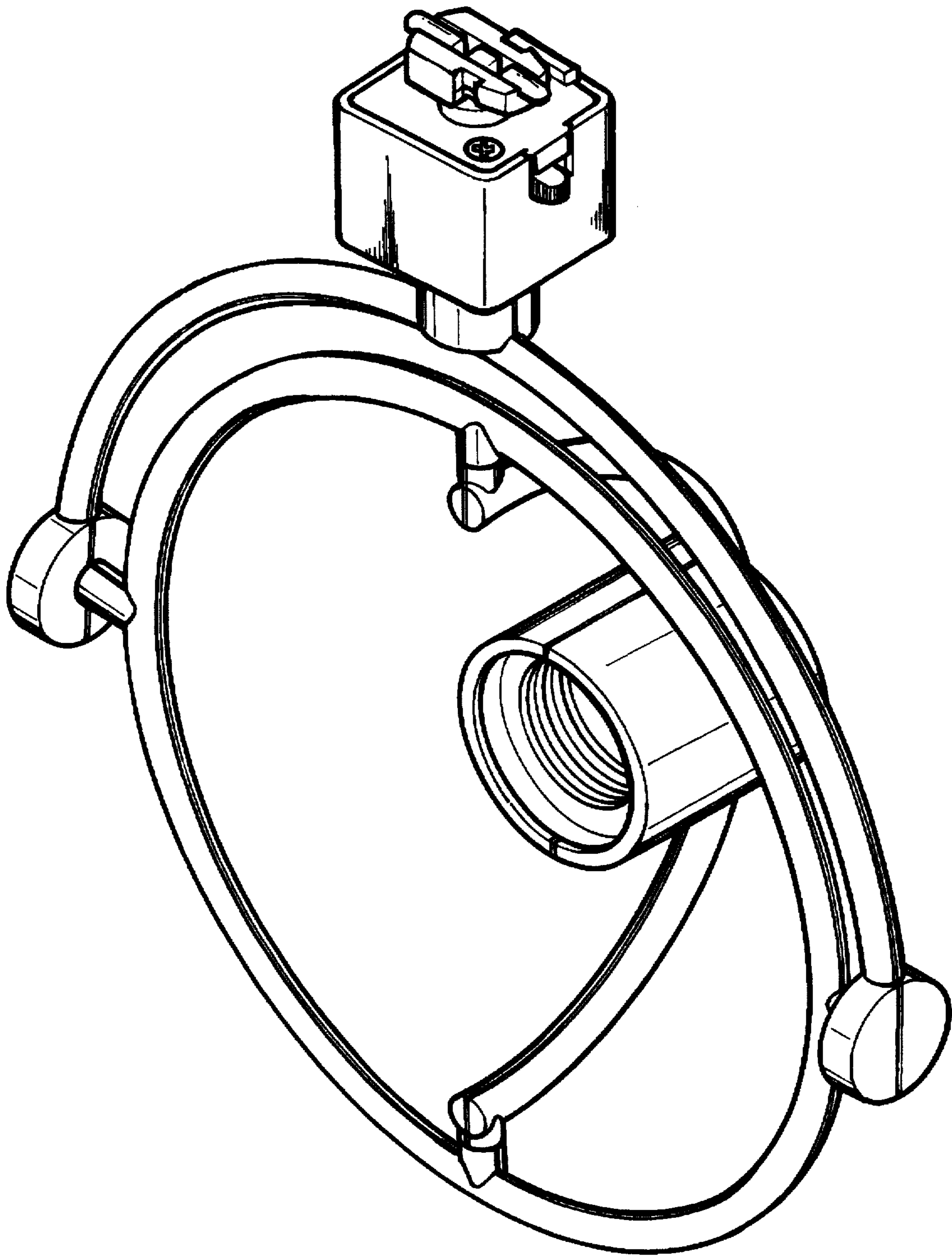


FIG. 1

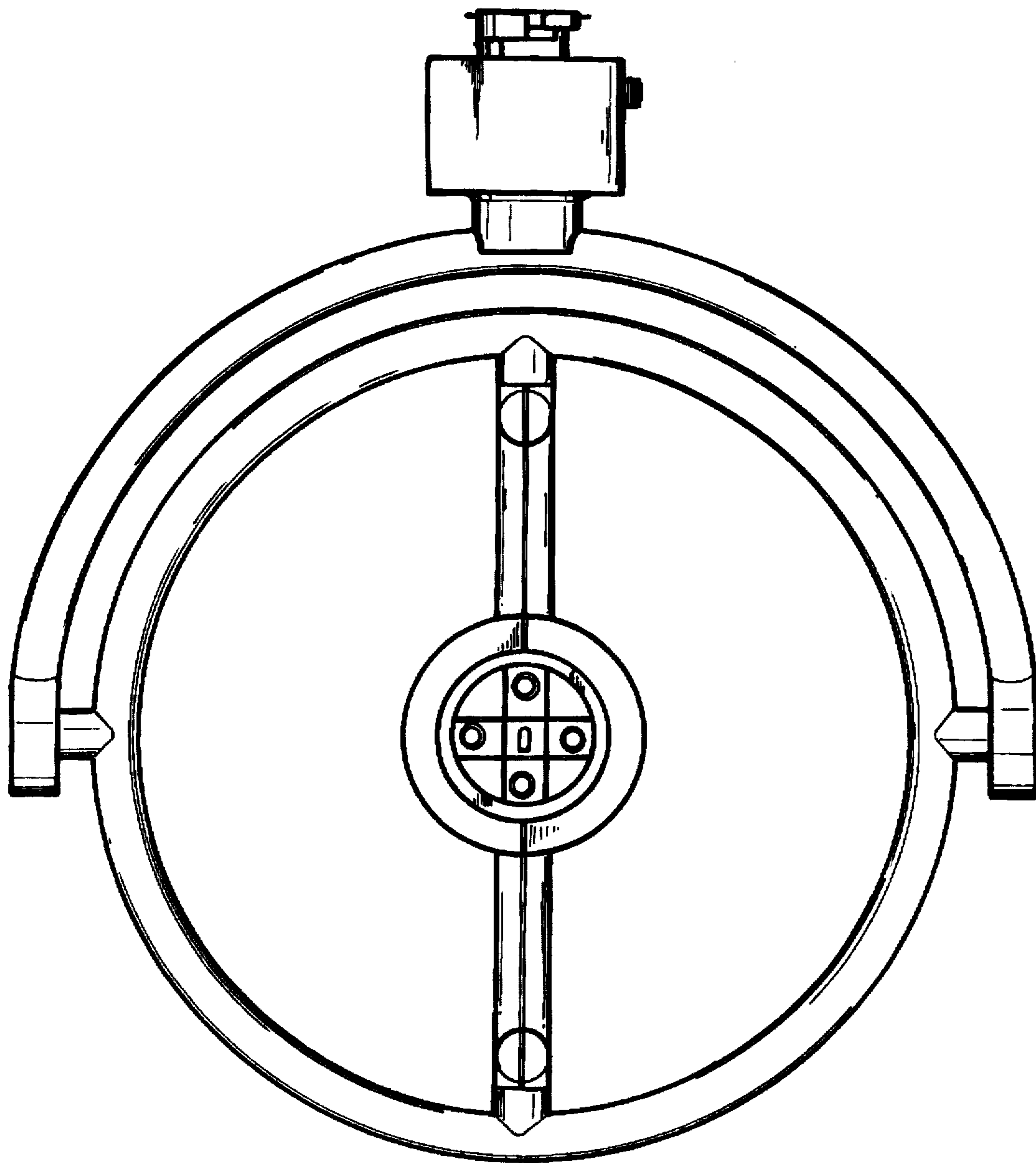


FIG. 2

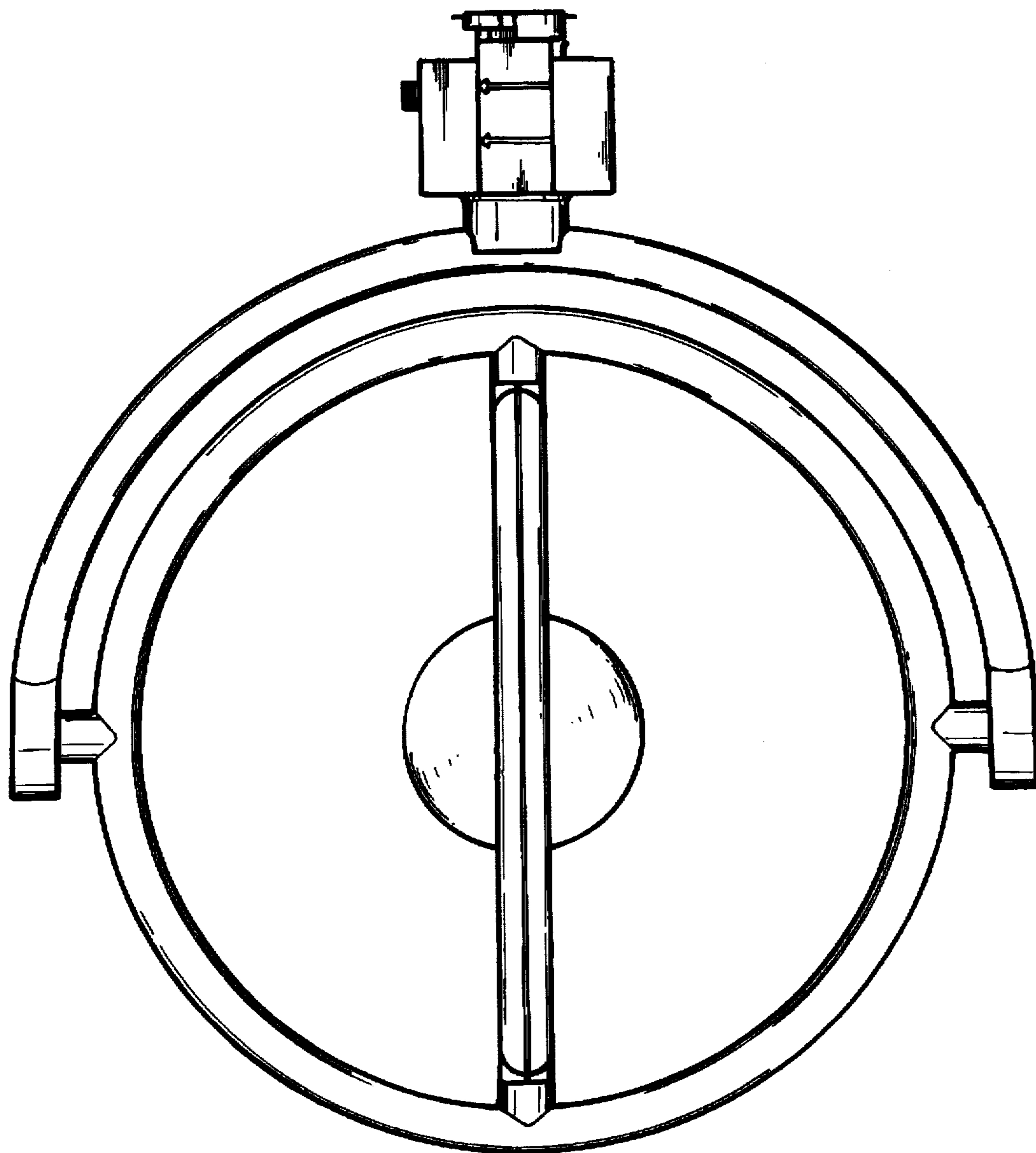


FIG. 3

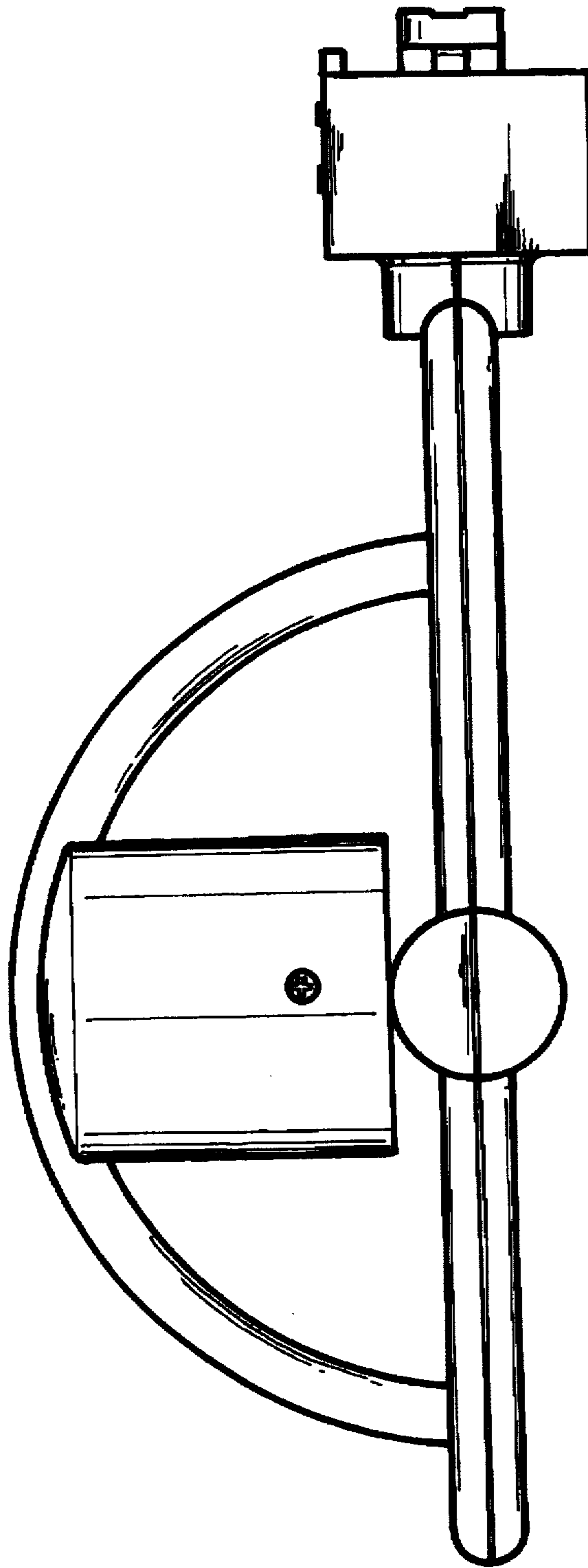


FIG. 4

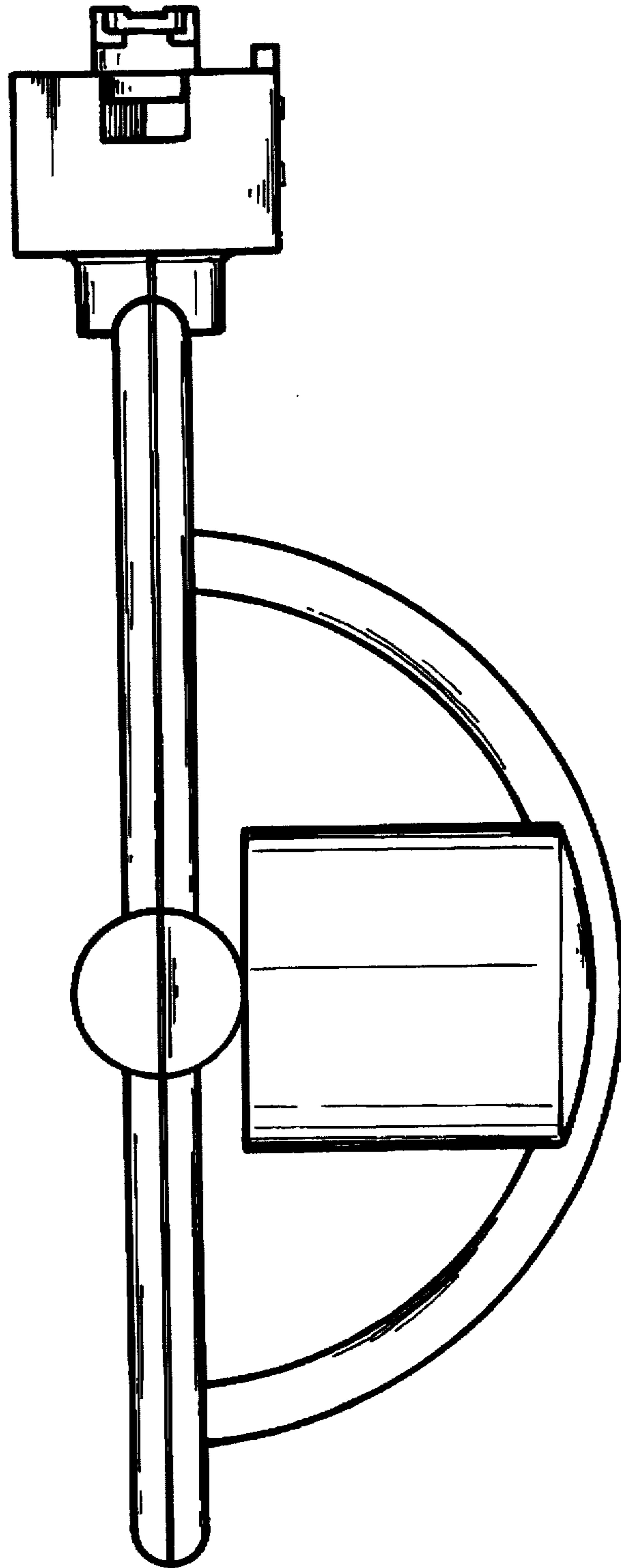


FIG. 5

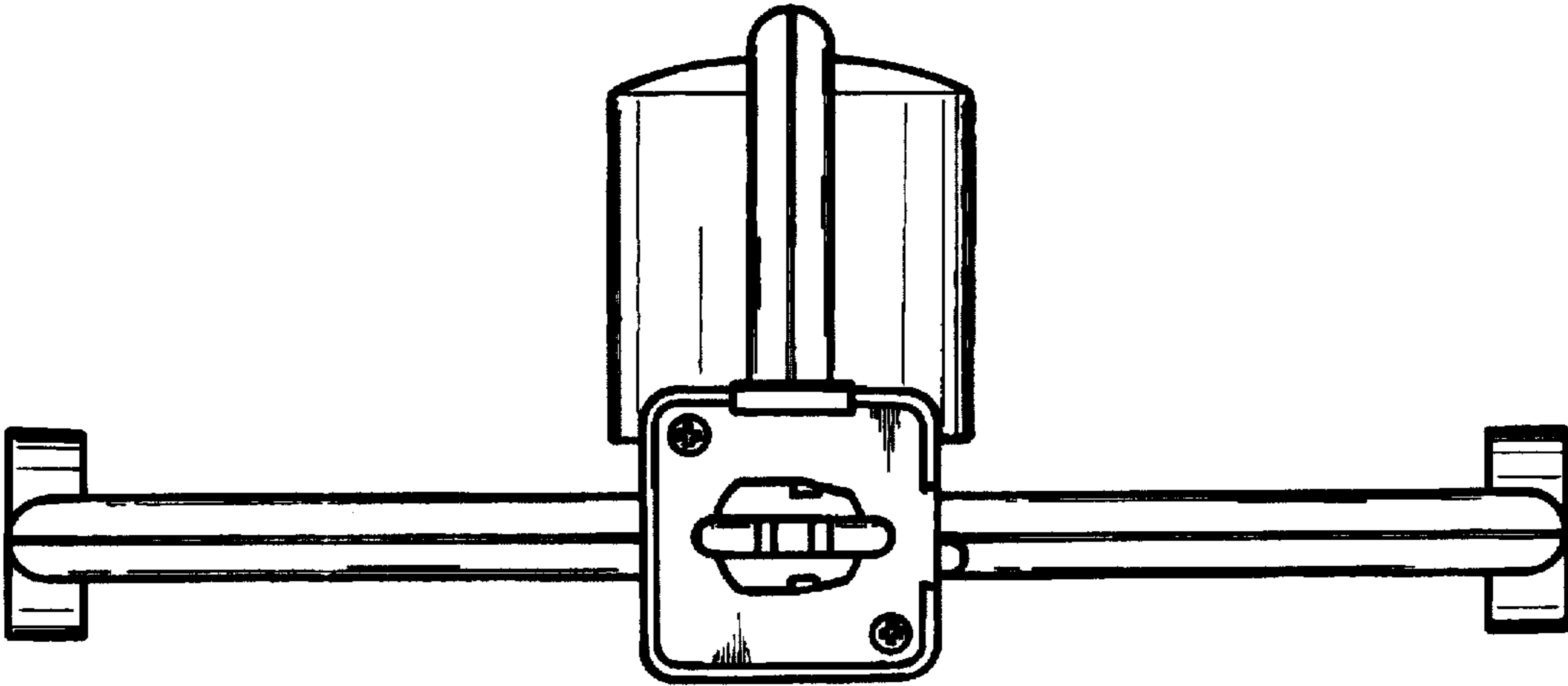


FIG. 6

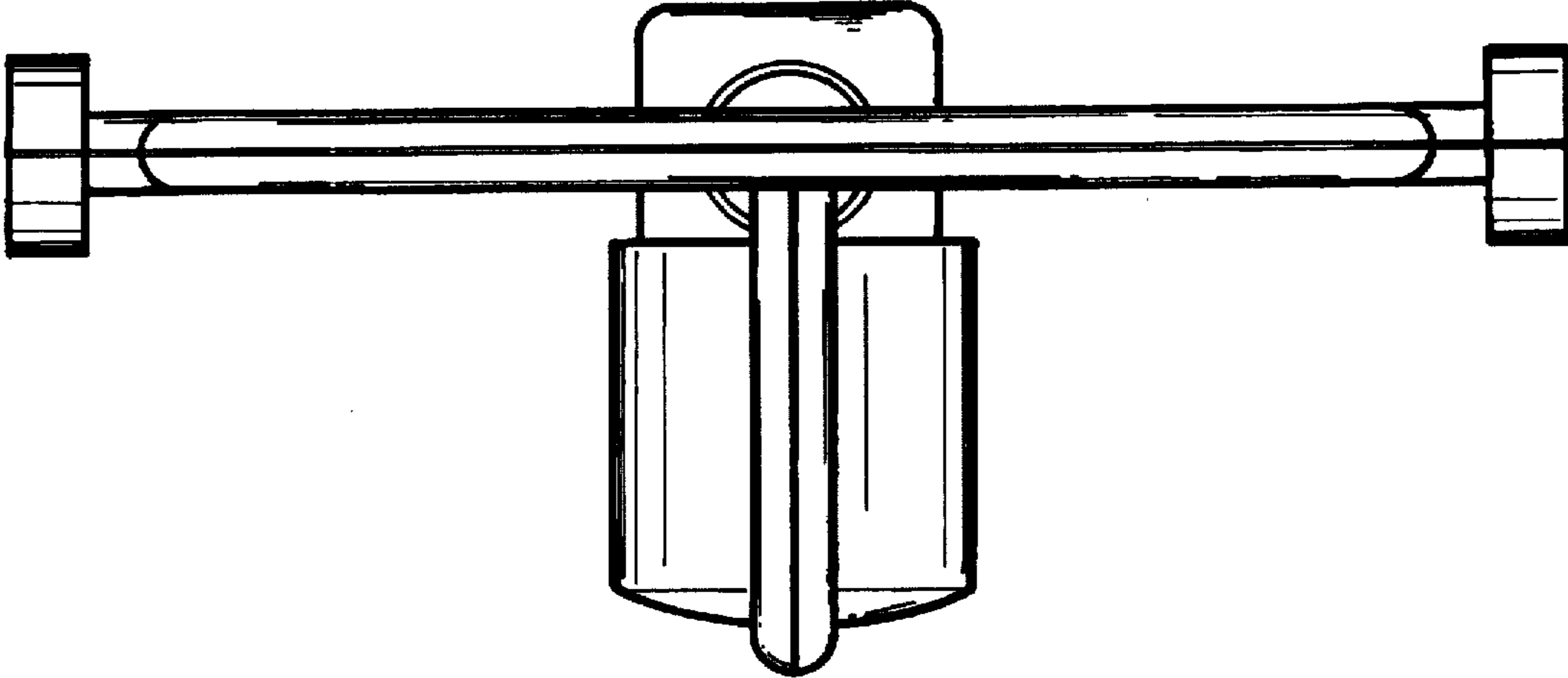


FIG. 7

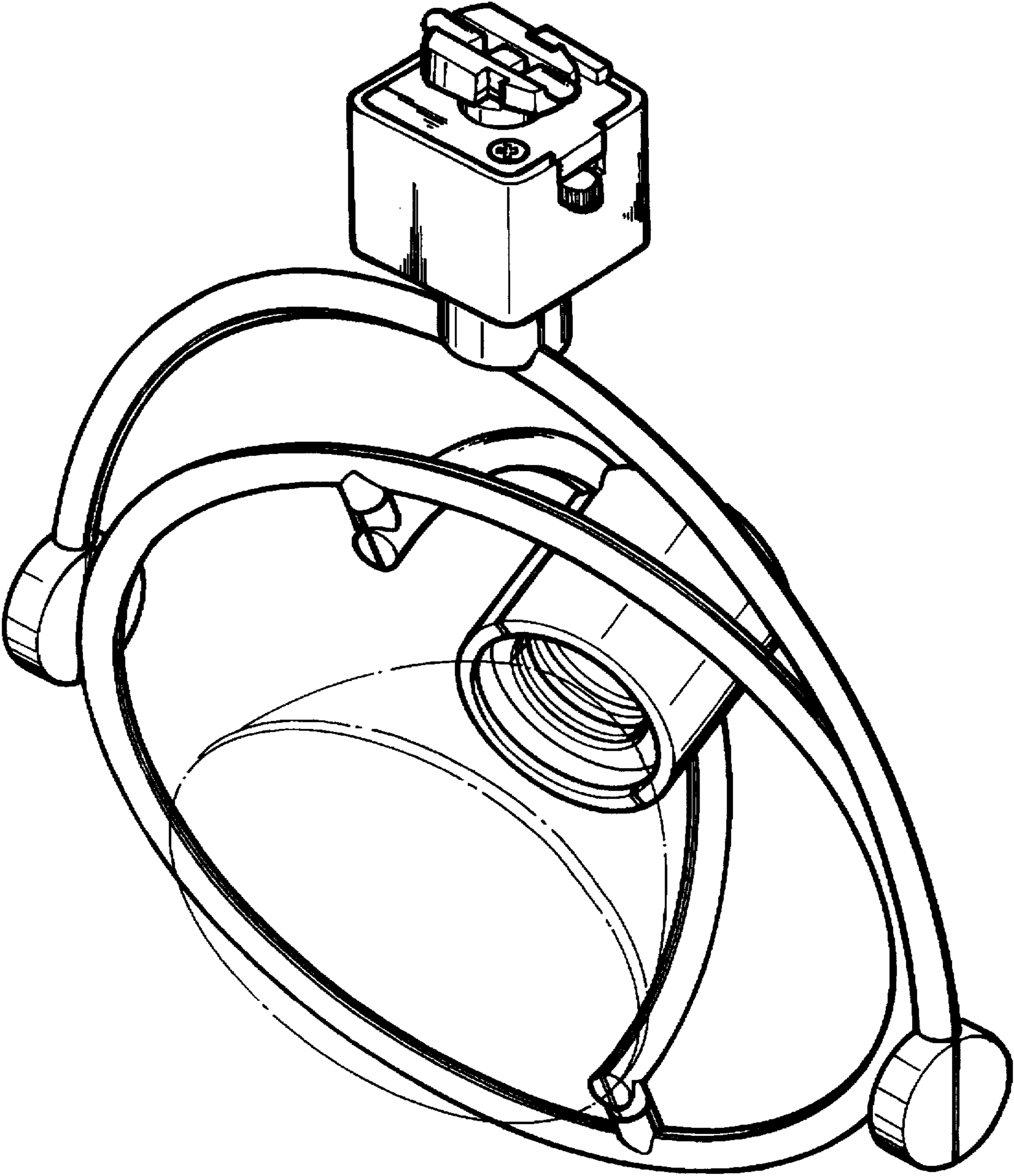


FIG. 8