



US00D389260S

United States Patent [19]

Mier-Langner et al.

[11] Patent Number: Des. 389,260

[45] Date of Patent: **Jan. 13, 1998

[54] TRACK LIGHT

[75] Inventors: **Alejandro Mier-Langner**, Providence, R.I.; **Anthony Donato**, Wellesley; **Horst Bernhart**, Fairhaven, both of Mass.

[73] Assignee: **Lightolier Division of The Genlyte Group Incorporated**, Union, N.J.

[**] Term: 14 Years

[21] Appl. No.: 63,254

[22] Filed: Dec. 3, 1996

Related U.S. Application Data

[62] Division of Ser. No. 48,057, Dec. 19, 1995.

[51] LOC (6) Cl. 26-05

[52] U.S. Cl. D26/63

[58] Field of Search D26/60, 61, 62, D26/63, 65; 362/147, 267, 275, 287, 418, 419, 427

[56] References Cited

U.S. PATENT DOCUMENTS

D. 326,616	6/1992	Price	D26/63
D. 370,075	5/1996	Mier-Langner et al.	D26/63
4,112,486	9/1978	Tovi	362/272 X

Primary Examiner—Susan J. Lucas
Attorney, Agent, or Firm—Hopgood, Calimafde, Kalil & Judlowe L.L.P.

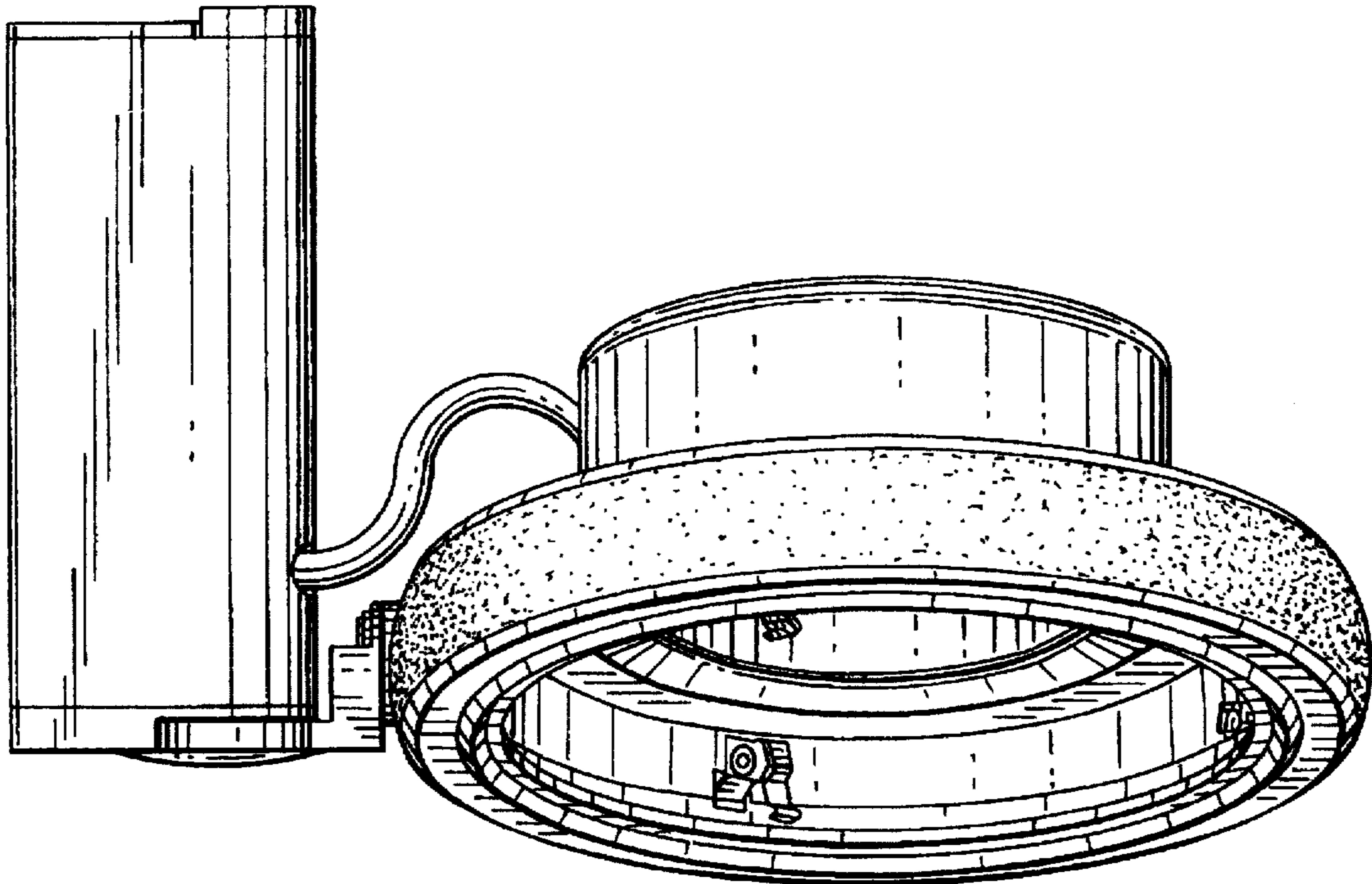
[57] CLAIM

The ornamental design for a track light, as shown and described.

DESCRIPTION

FIG. 1 is a perspective view of the track light; FIG. 2 is a front view of the track light; FIG. 3 is a first side view of the track light; and, FIG. 4 is a second side view of the track light.

1 Claim, 2 Drawing Sheets



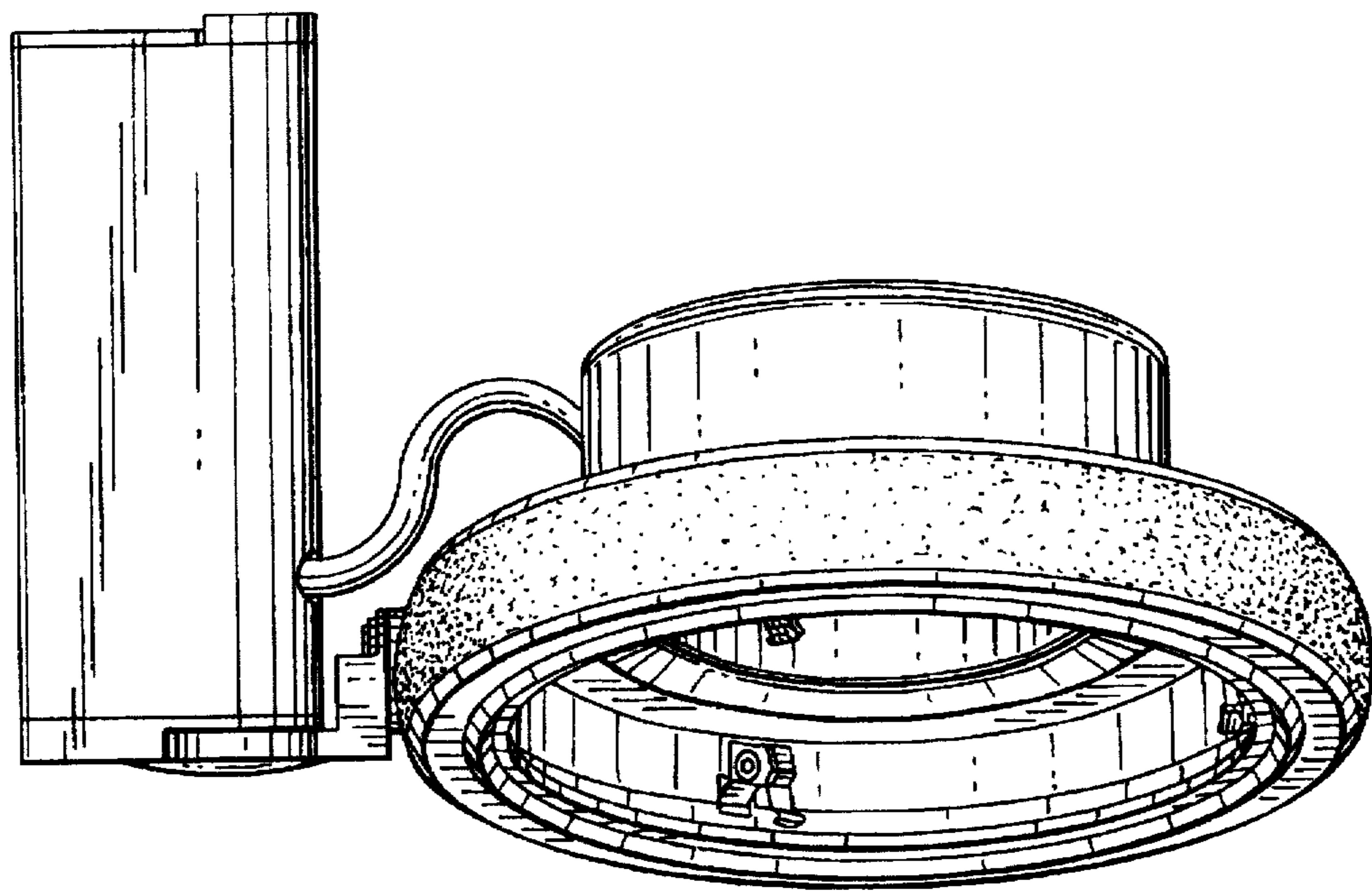


FIG. 1

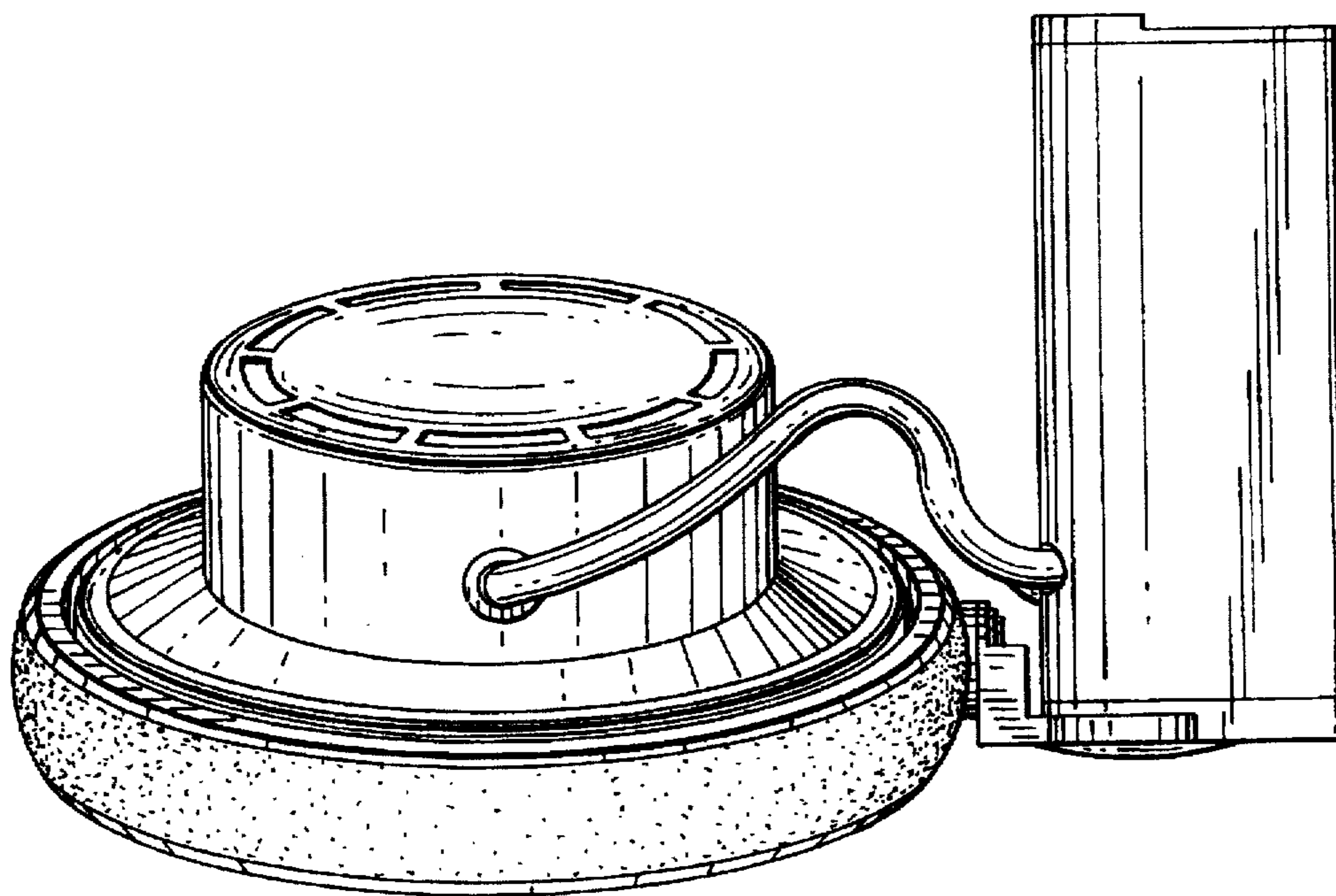


FIG. 2

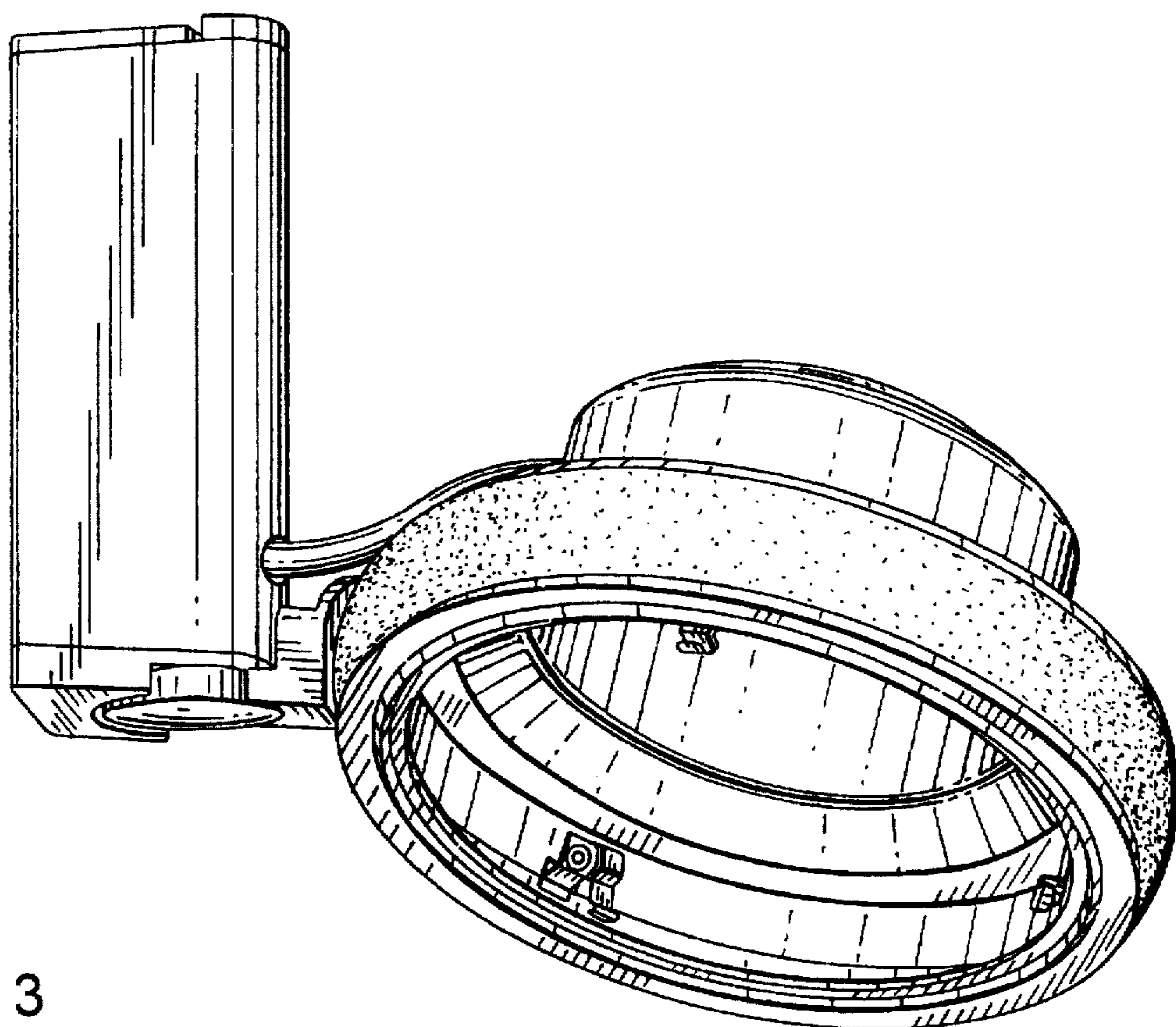


FIG. 3

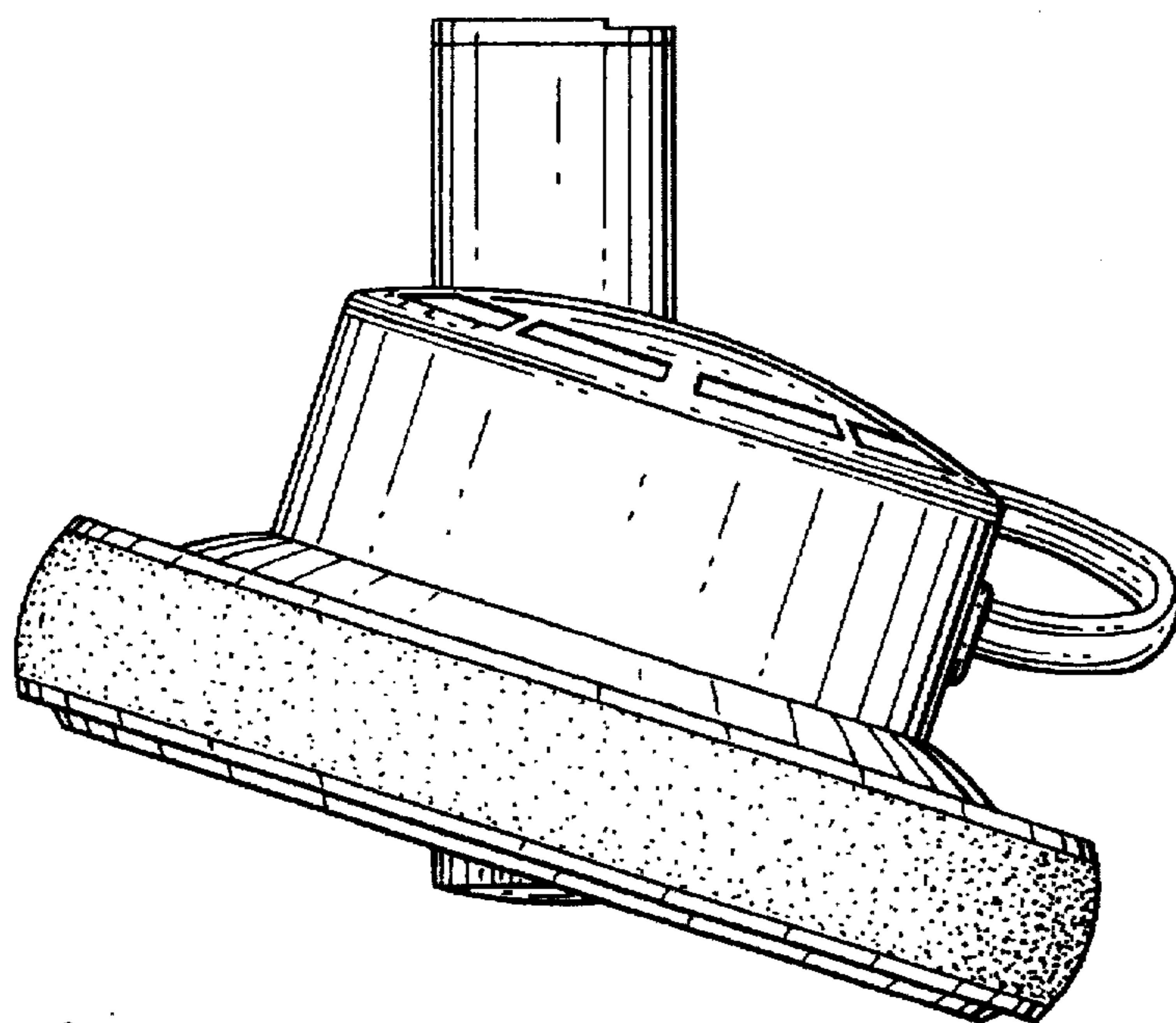


FIG. 4