



US00D389259S

United States Patent [19]

Tichy et al.

[11] Patent Number: Des. 389,259

[45] Date of Patent: **Jan. 13, 1998

[54] **DISPLAY SIGN WITH CLAMP**

[75] Inventors: **Bernard W. Tichy**, Hampton Bays;
Donald B. Tichy, Bethpage, both of
N.Y.

[73] Assignee: **Econoco Corporation**, Hicksville, N.Y.

[**] Term: **14 Years**

[21] Appl. No.: **51,904**

[22] Filed: **Mar. 19, 1996**

[51] LOC (6) Cl. **20-03**

[52] U.S. Cl. **D20/43**

[58] Field of Search D20/10, 19, 42,
D20/43; 40/607, 666, 647, 658, 661, 649,
652, 653, 606

[56] **References Cited**

U.S. PATENT DOCUMENTS

D. 268,849	5/1983	Shuman	D20/43
1,648,103	11/1927	Ball	.	
1,839,016	12/1931	Dodd	.	
1,848,950	3/1932	Hammes	.	
2,049,855	8/1936	Meyer	40/652
2,869,812	1/1959	Hamel	.	
3,820,262	6/1974	Dewsnap	.	
3,950,874	4/1976	Diggs	.	
3,956,837	5/1976	Itano	.	
4,292,749	10/1981	Thomas	.	
4,749,159	6/1988	Hoff	.	
4,876,810	10/1989	Piana et al.	.	

4,899,474	2/1990	Piana et al.	.	
5,056,248	10/1991	Blanchard	.	
5,170,578	12/1992	Pampel	.	
5,257,472	11/1993	Harnois et al.	.	
5,331,757	7/1994	Ernest et al.	40/606
5,388,359	2/1995	DeWitt	40/606
5,400,992	3/1995	Pohl	.	

OTHER PUBLICATIONS

"Spring Clamp", SC11 and Spring Clamp No. SC8, last page (8), Catalog No. 439 entitled Sign Holders & Accessories, Feb. 1995.

Primary Examiner—Susan J. Lucas
Assistant Examiner—Jennifer Register
Attorney, Agent, or Firm—Kane, Dalsimer, Sullivan, Kurucz, Levy, Eisele and Richard, LLP

[57] **CLAIM**

The ornamental design for display sign with clamp, as shown and described.

DESCRIPTION

FIG. 1 is a perspective view of display sign with clamp showing our new design;
FIG. 2 is a top view thereof;
FIG. 3 is a bottom view thereof;
FIG. 4 is a front view thereof, the rear view being a mirror image thereof; and,
FIG. 5 is a side view thereof, the other side view being a mirror image thereof.

1 Claim, 2 Drawing Sheets

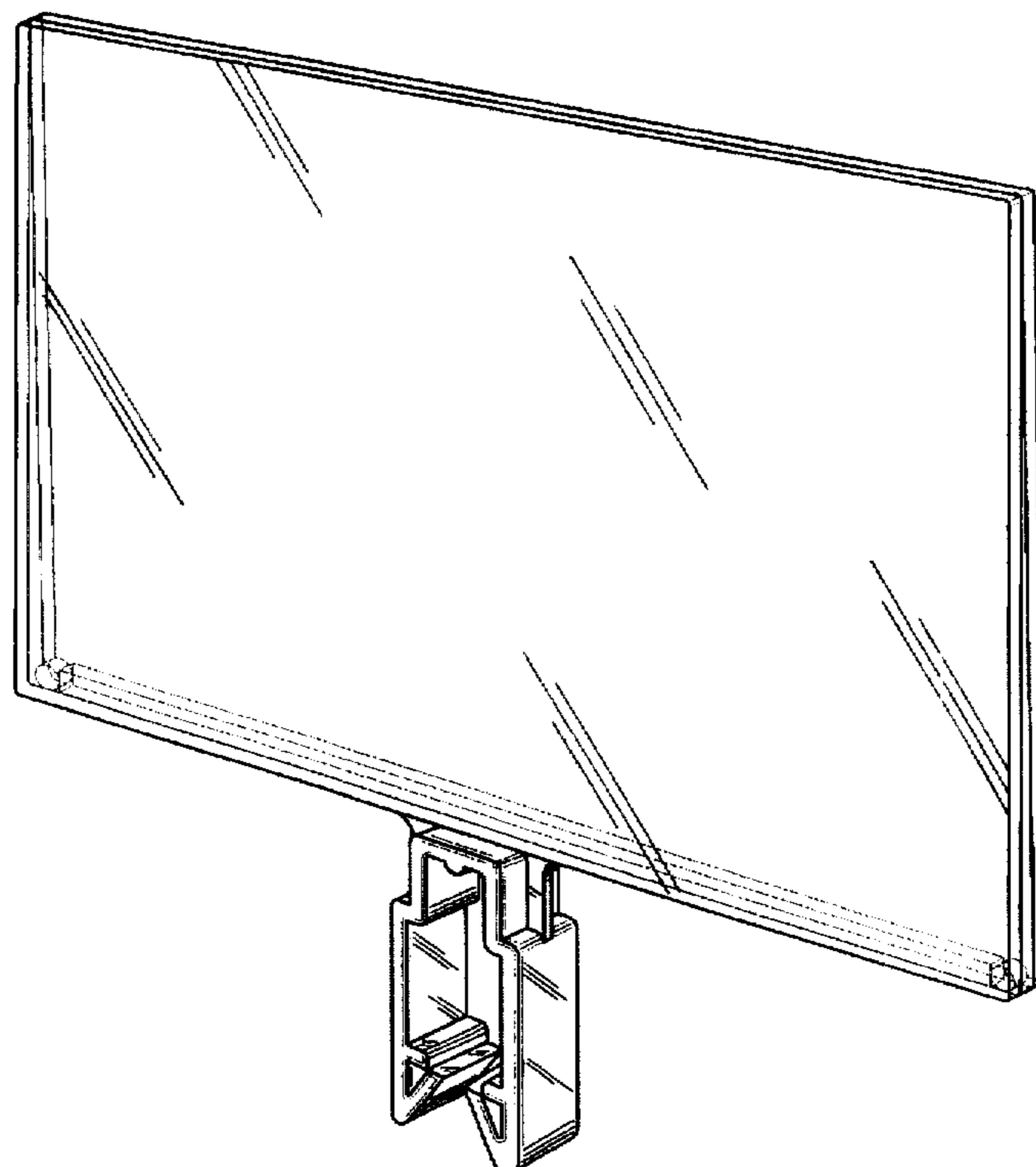


FIG. 1

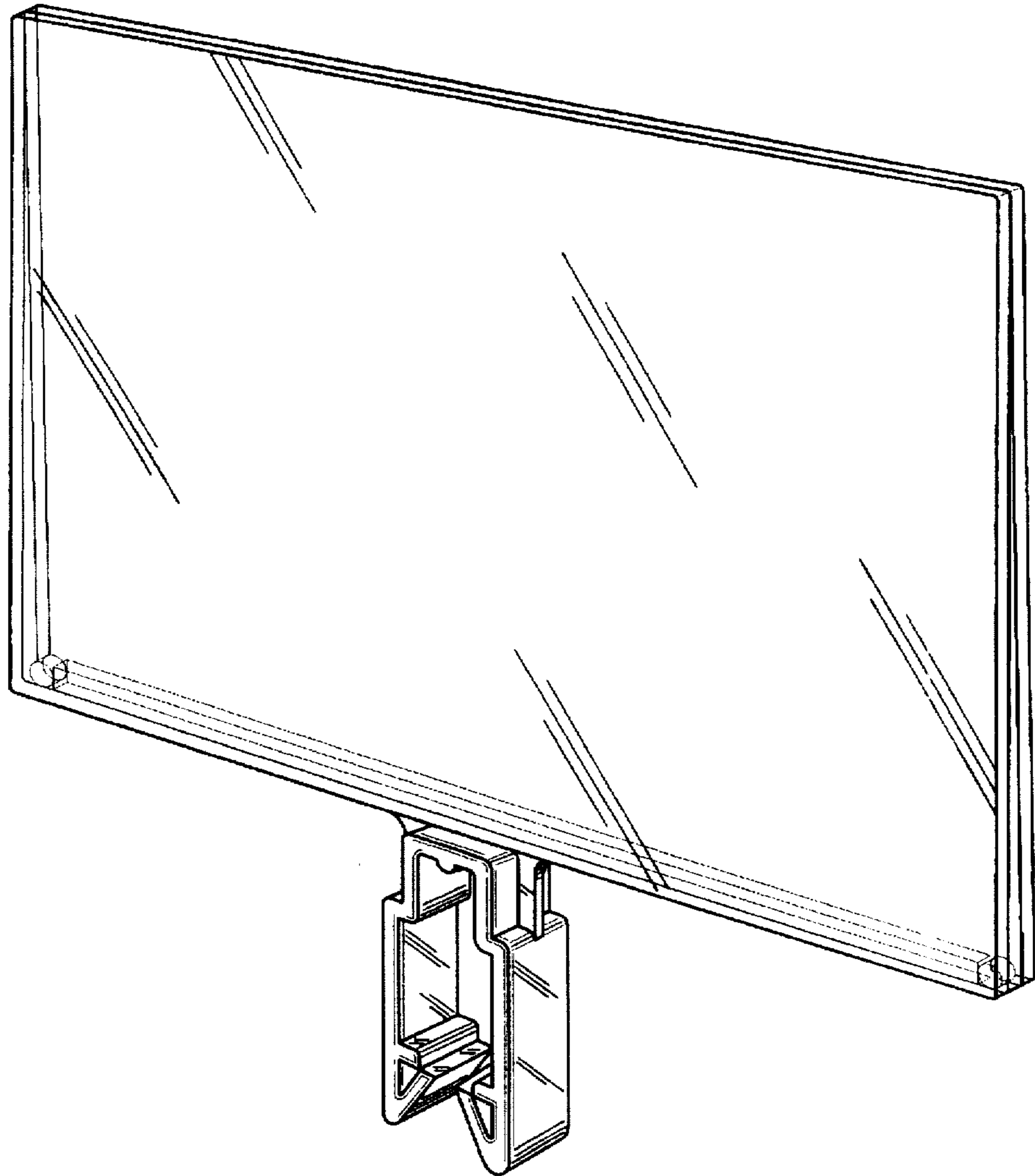


FIG. 2

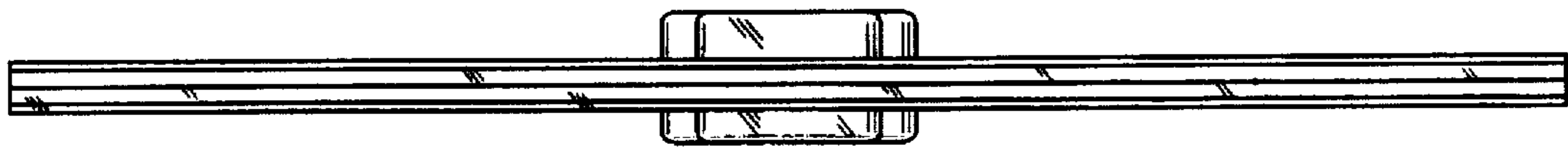


FIG. 3



FIG. 5

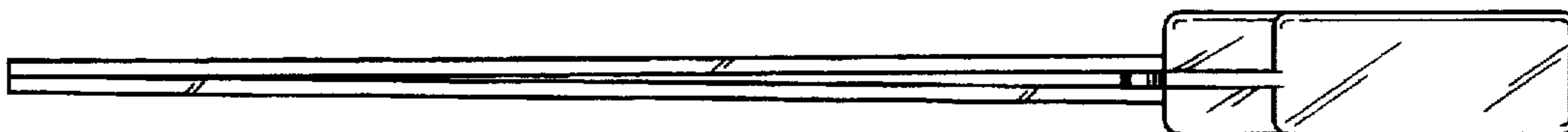


FIG. 4

