



US00D389258S

**United States Patent** [19]  
**Reynolds**

[11] **Patent Number:** **Des. 389,258**  
[45] **Date of Patent:** **\*\*Jan. 13, 1998**

[54] **SOLAR POWERED FLASHLIGHT**

[76] **Inventor:** **Joseph Reynolds, Rte. 1 Box 270, DeQueen, Ark. 71832**

[\*\*] **Term:** **14 Years**

[21] **Appl. No.:** **66,166**

[22] **Filed:** **Feb. 6, 1997**

[51] **LOC (6) Cl.** ..... **26-02**

[52] **U.S. Cl.** ..... **D26/37**

[58] **Field of Search** ..... **D26/37-50; 362/157, 362/158, 183-208**

[56] **References Cited**

**U.S. PATENT DOCUMENTS**

D. 209,615	12/1967	Doring	.....	D26/48
D. 283,254	4/1986	Fenne	.....	D26/48
D. 284,106	6/1986	Drane	.....	D26/50
D. 289,800	5/1987	Fenne	.....	D26/48

*Primary Examiner*—Marcus A. Jackson

[57] **CLAIM**

The ornamental design for a solar powered flashlight, as shown and described.

**DESCRIPTION**

FIG. 1 is a front plan view of the solar powered flashlight of the present invention;  
FIG. 2 is a back plan view of the solar powered flashlight of FIG. 1;  
FIG. 3 is a left side plan view of the solar powered flashlight of FIG. 1;  
FIG. 4 is a right side plan view of the solar powered flashlight of FIG. 1;  
FIG. 5 is a top plan view of the solar powered flashlight of FIG. 1; and,  
FIG. 6 is a bottom plan view of the solar powered flashlight of FIG. 1.

**1 Claim, 3 Drawing Sheets**

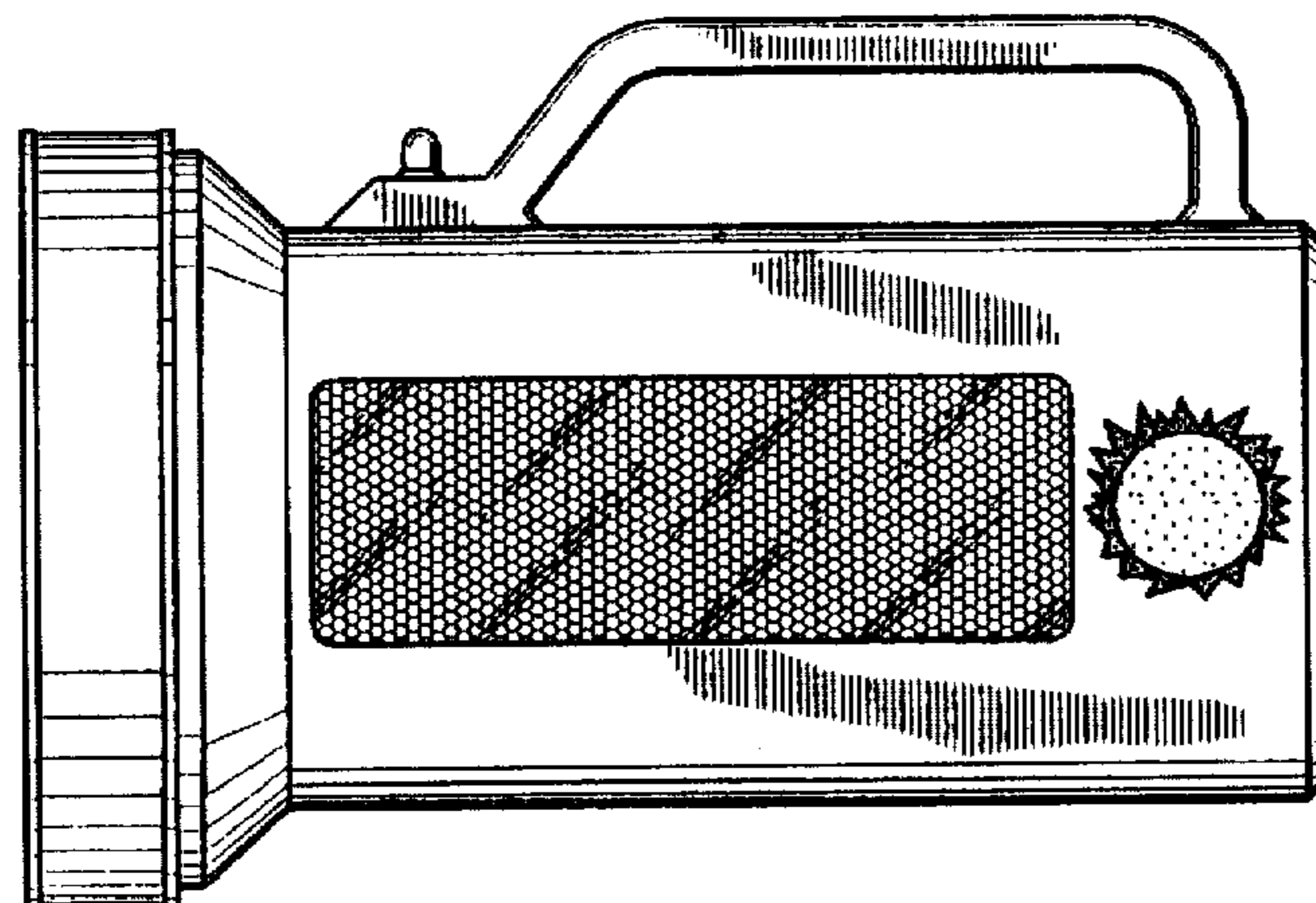
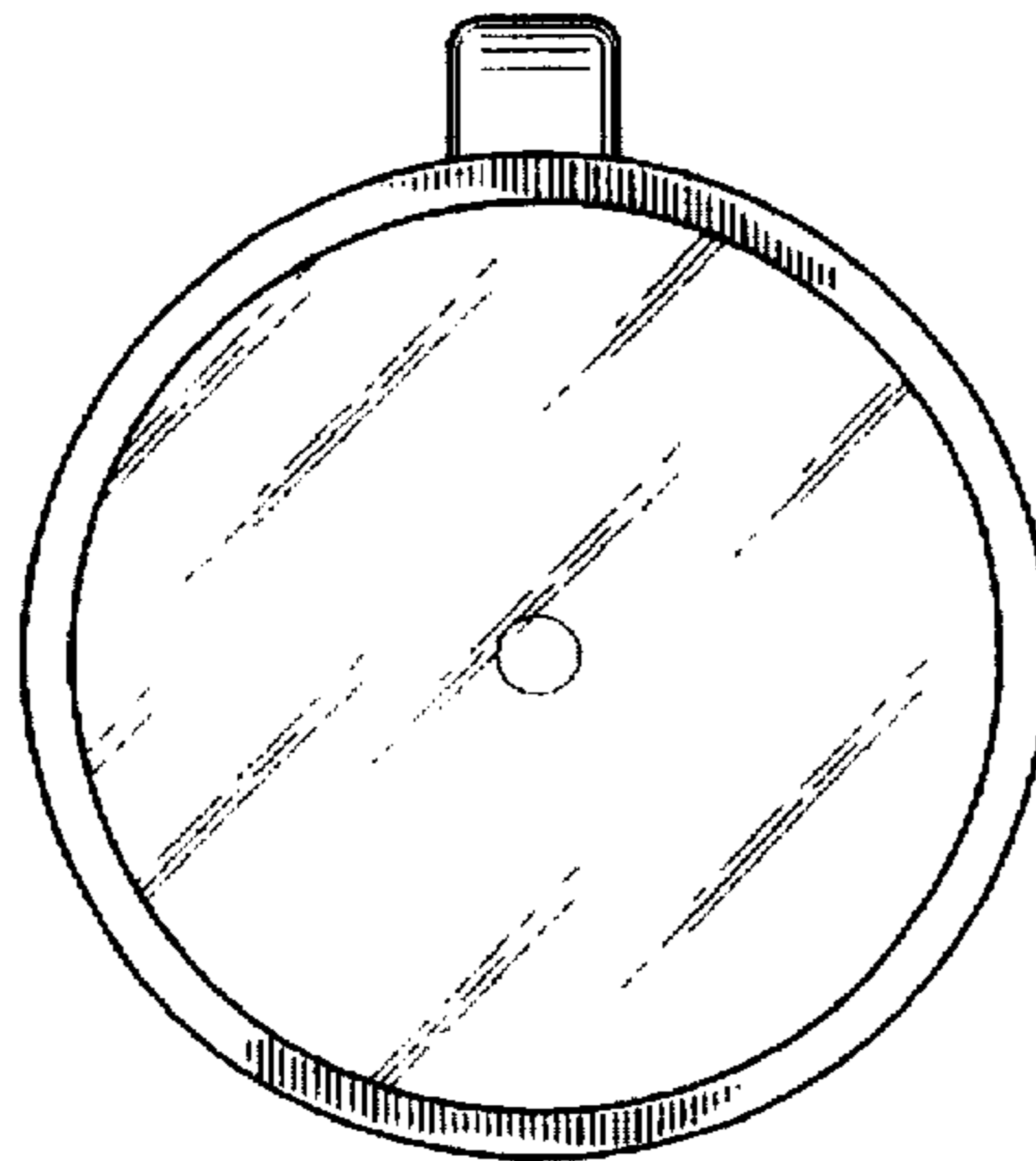


FIG. 1

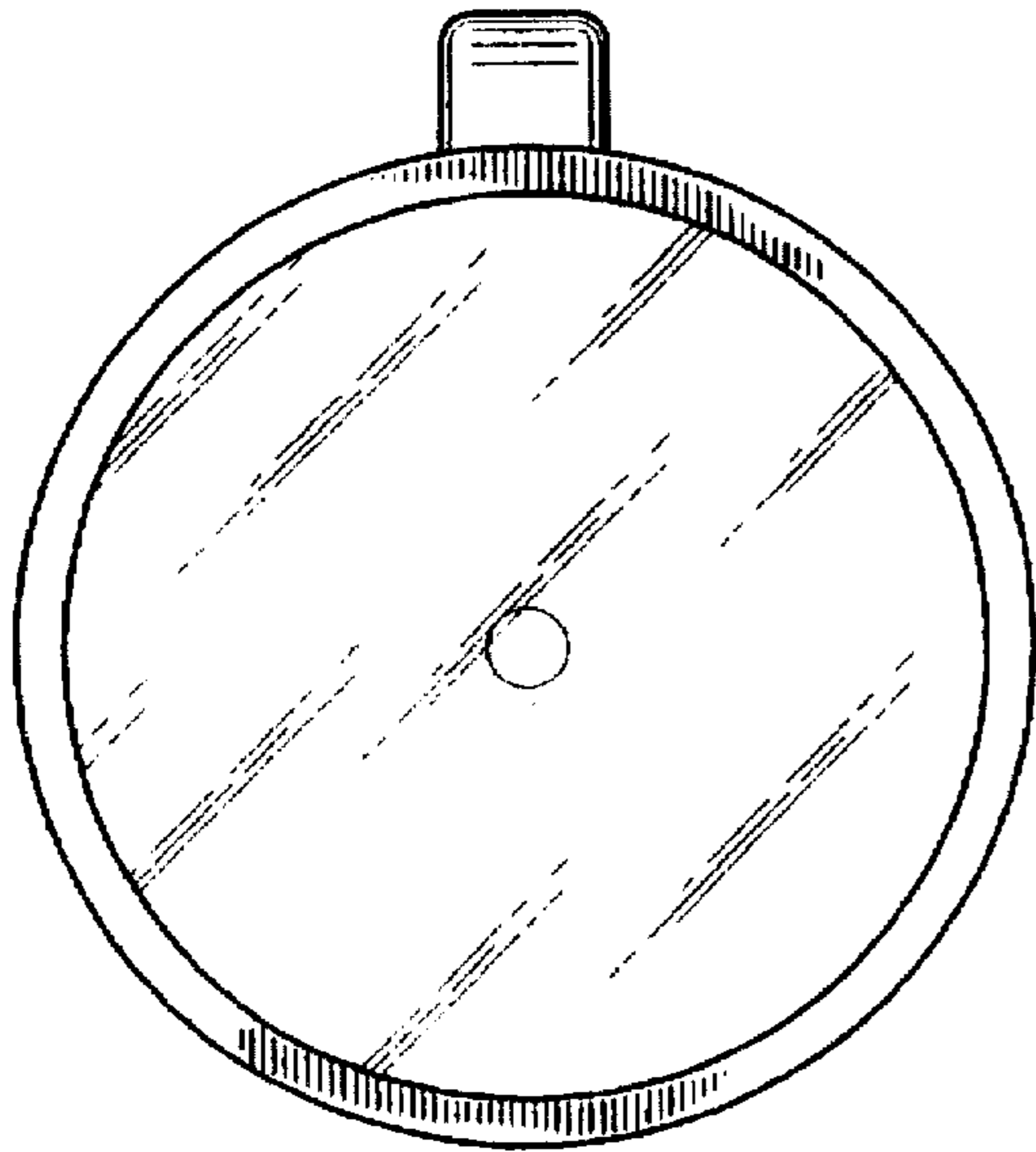


FIG. 2

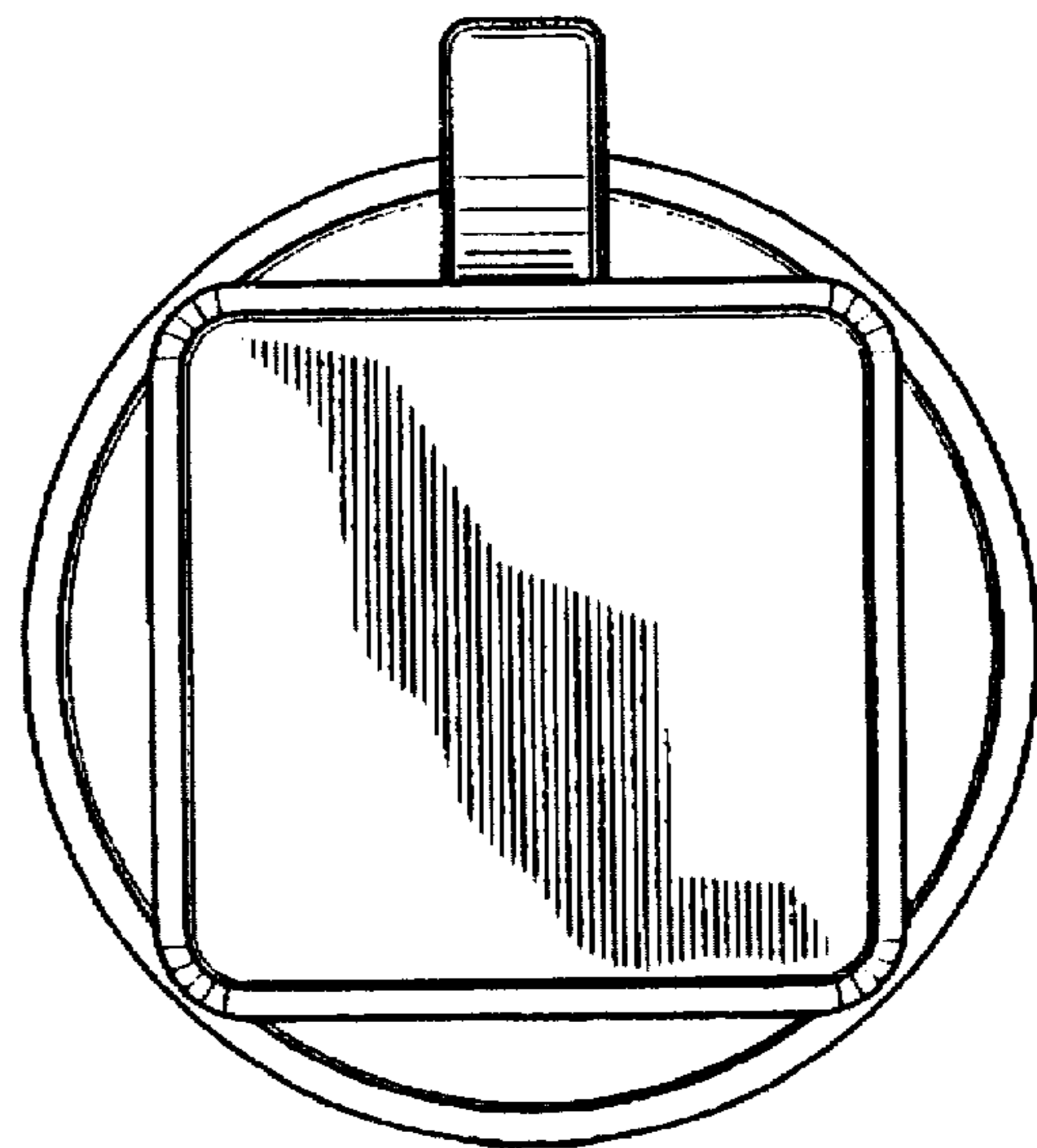


FIG. 3

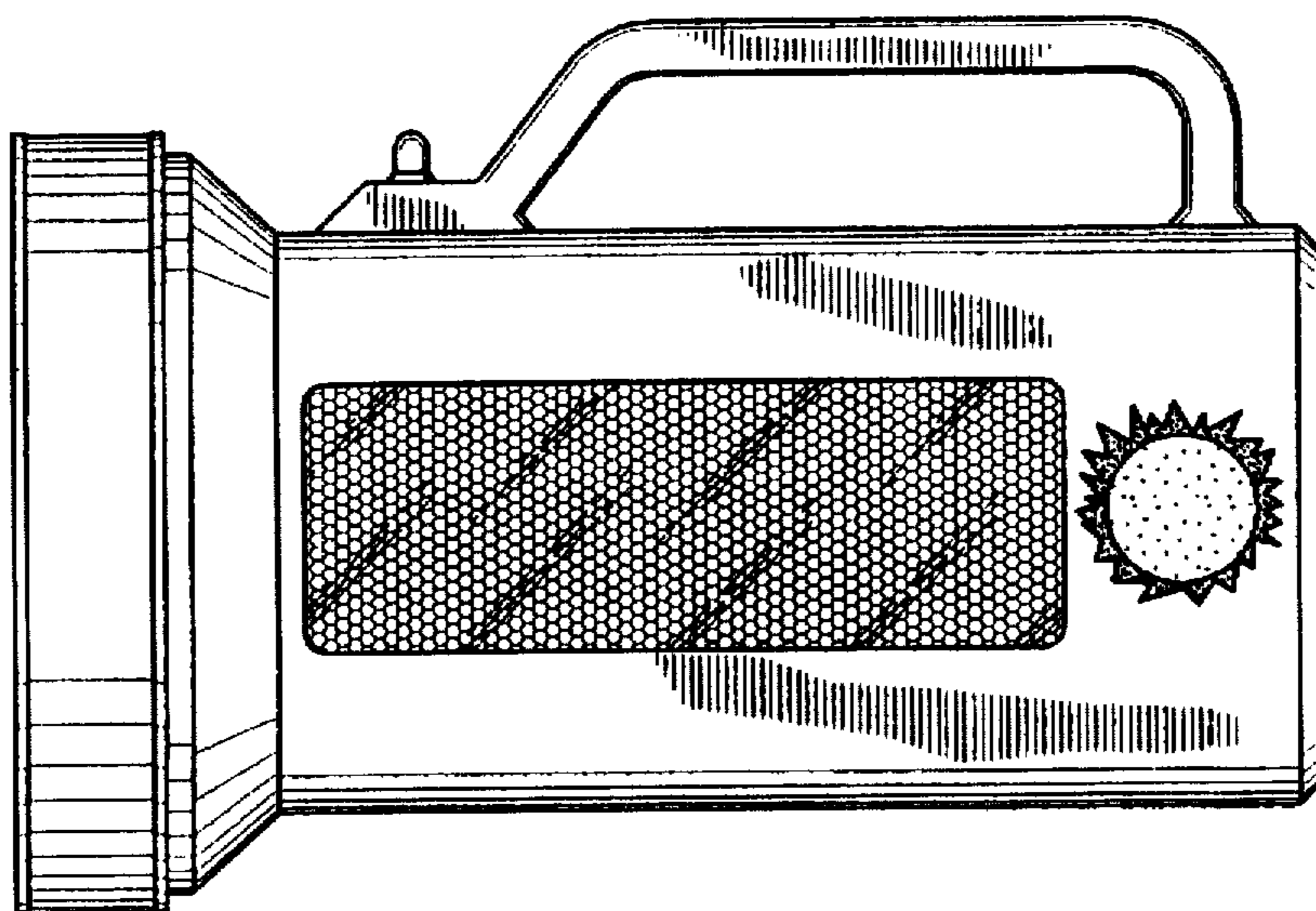


FIG. 4

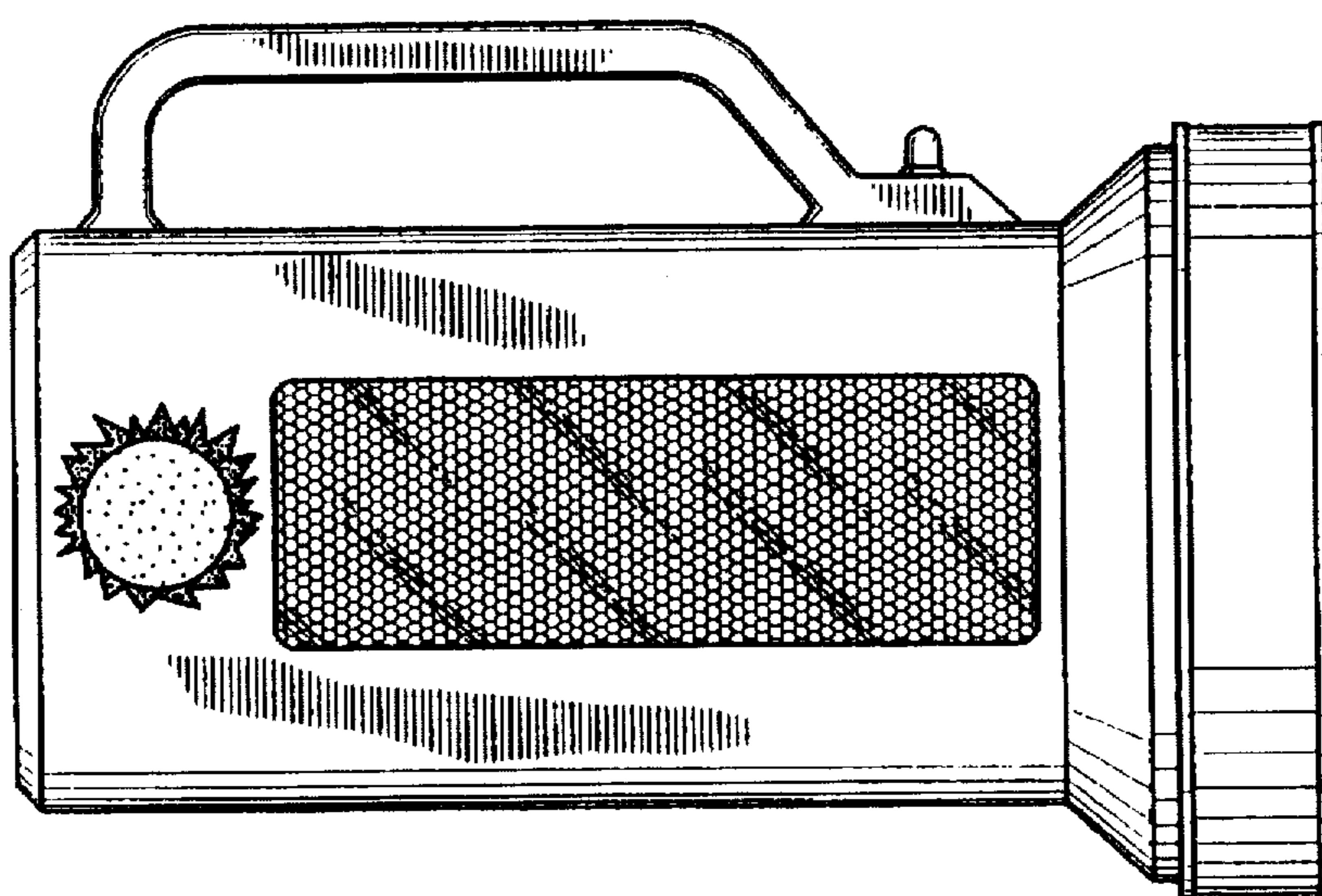


FIG. 5

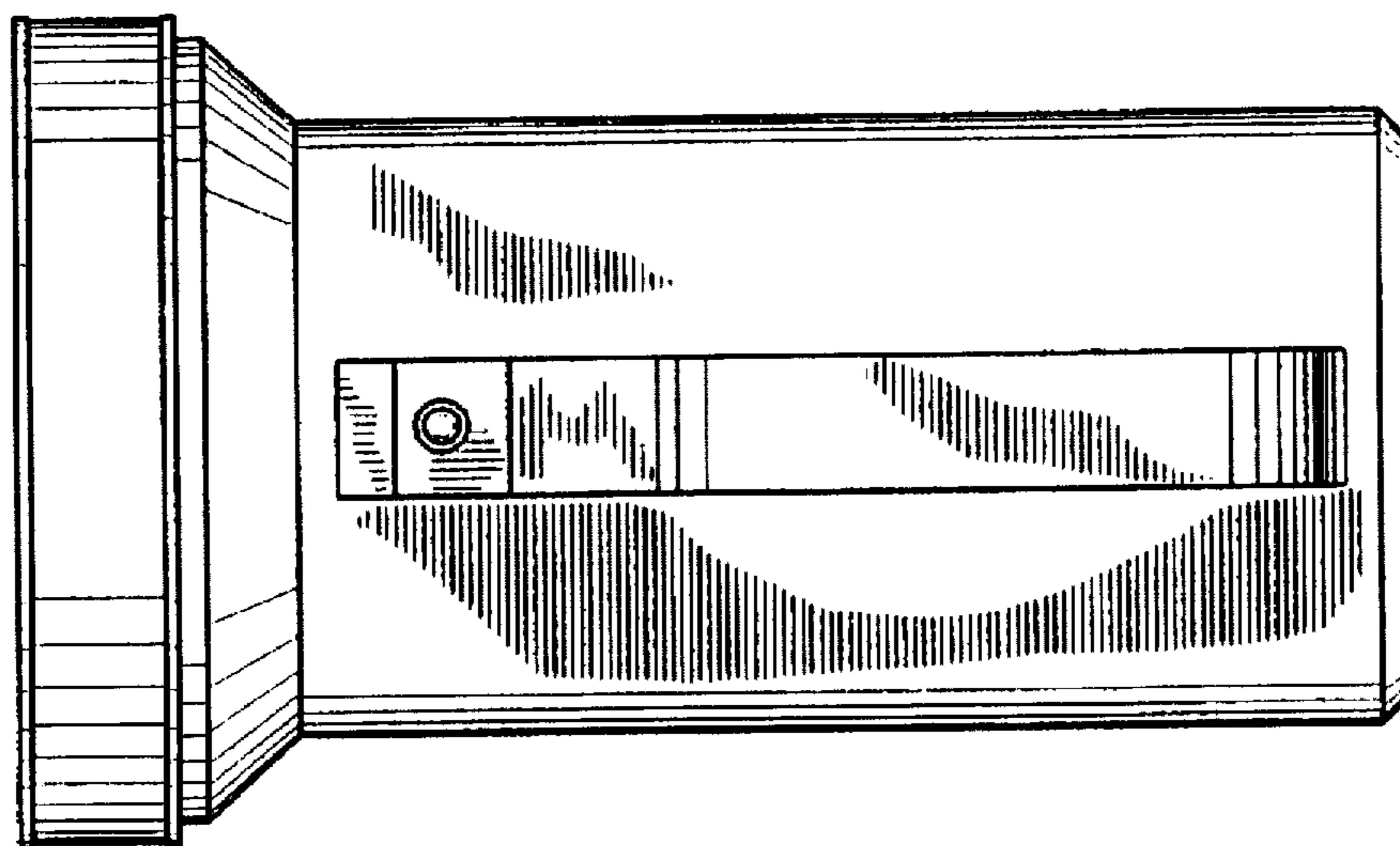


FIG. 6

