

US00D389257S

United States Patent [19]

[11] Patent Number: **Des. 389,257**

Eca, Sr. et al.

[45] Date of Patent: ****Jan. 13, 1998**

[54] **GAS POWERED LANTERN**
[76] Inventors: **Kenneth E. Eca, Sr.**, 107 W. Cross St., Kinmundy, Ill. 62854; **Larry F. Dugan**, 1106 Dover, Centralia, Ill. 62801

3,941,554 3/1976 Curtis 431/89
4,535,390 8/1985 Curtis et al. 362/179
4,599,683 7/1986 Beckham et al. 362/179 X

[**] Term: **14 Years**

OTHER PUBLICATIONS

Petromax Hurricane Lantern.

Primary Examiner—Alan P. Douglas
Assistant Examiner—Lavone D. Tabor

[21] Appl. No.: **42,551**

[22] Filed: **Aug. 11, 1995**

[57] CLAIM

[51] LOC (6) Cl. **26-02**

[52] U.S. Cl. **D26/37**

[58] Field of Search D26/37, 40, 41,
D26/114, 115, 117; 362/159, 160, 171-173,
179-182; 431/105-107

The ornamental design for a gas powered lantern, as shown and described.

DESCRIPTION

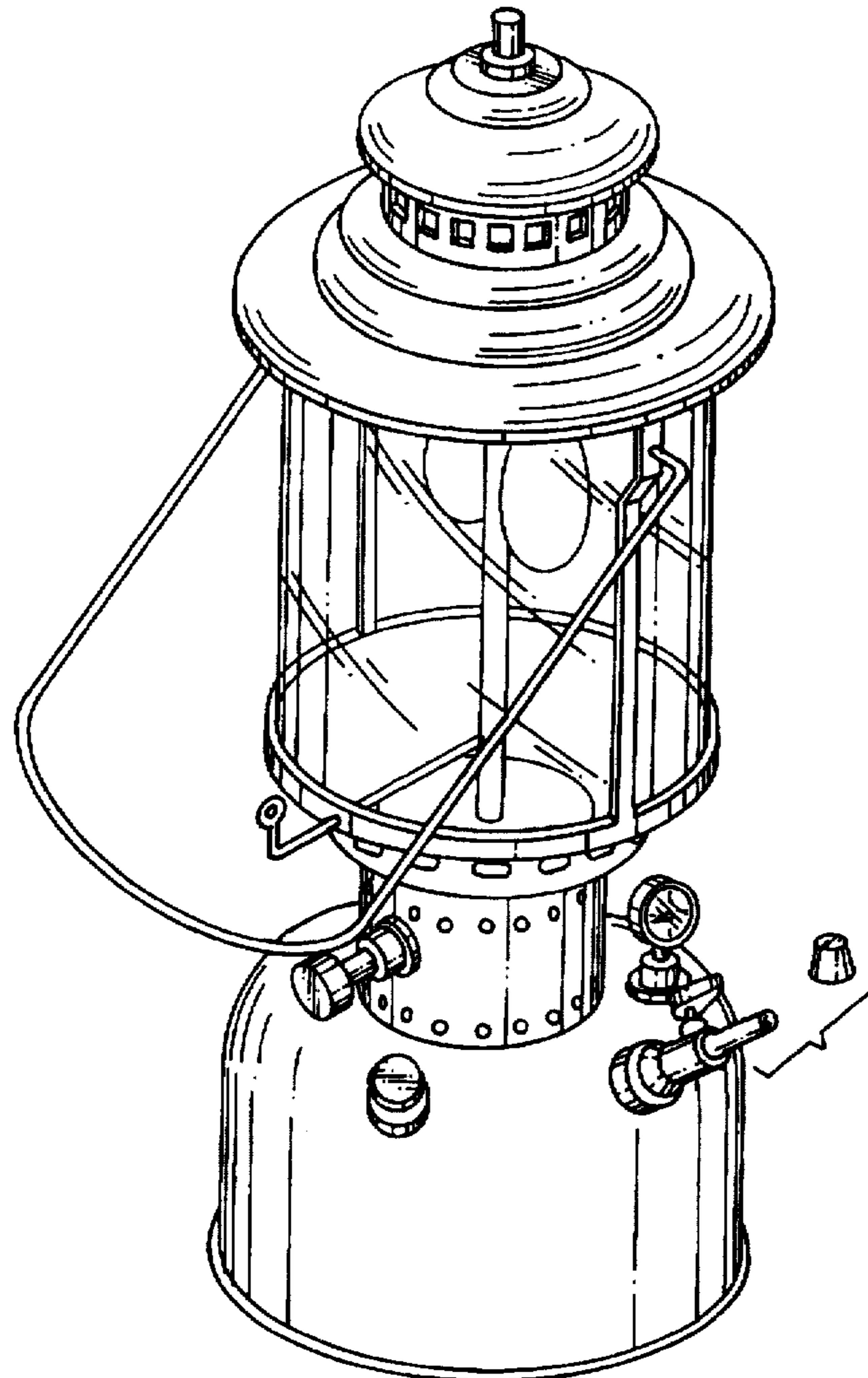
[56] References Cited

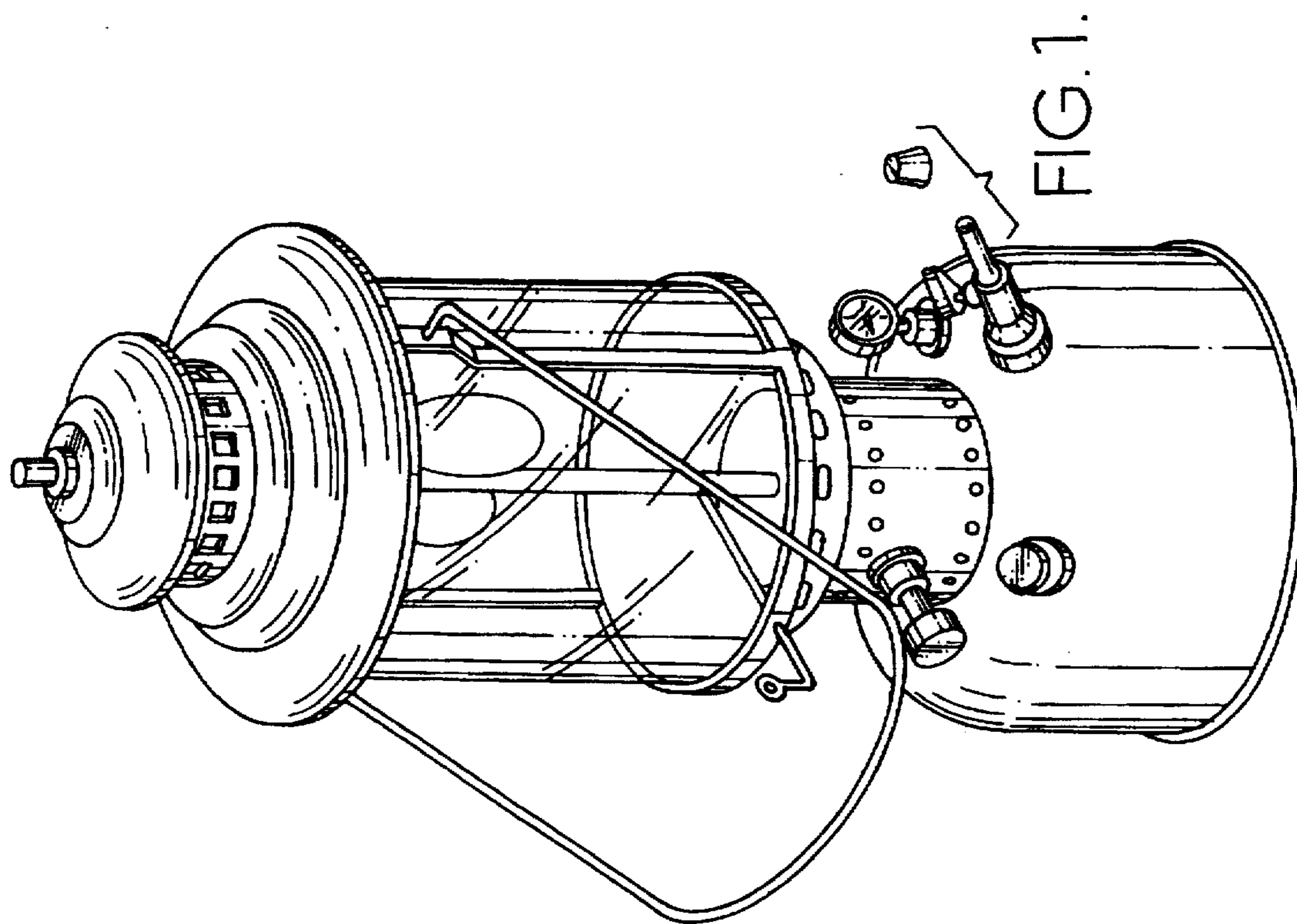
U.S. PATENT DOCUMENTS

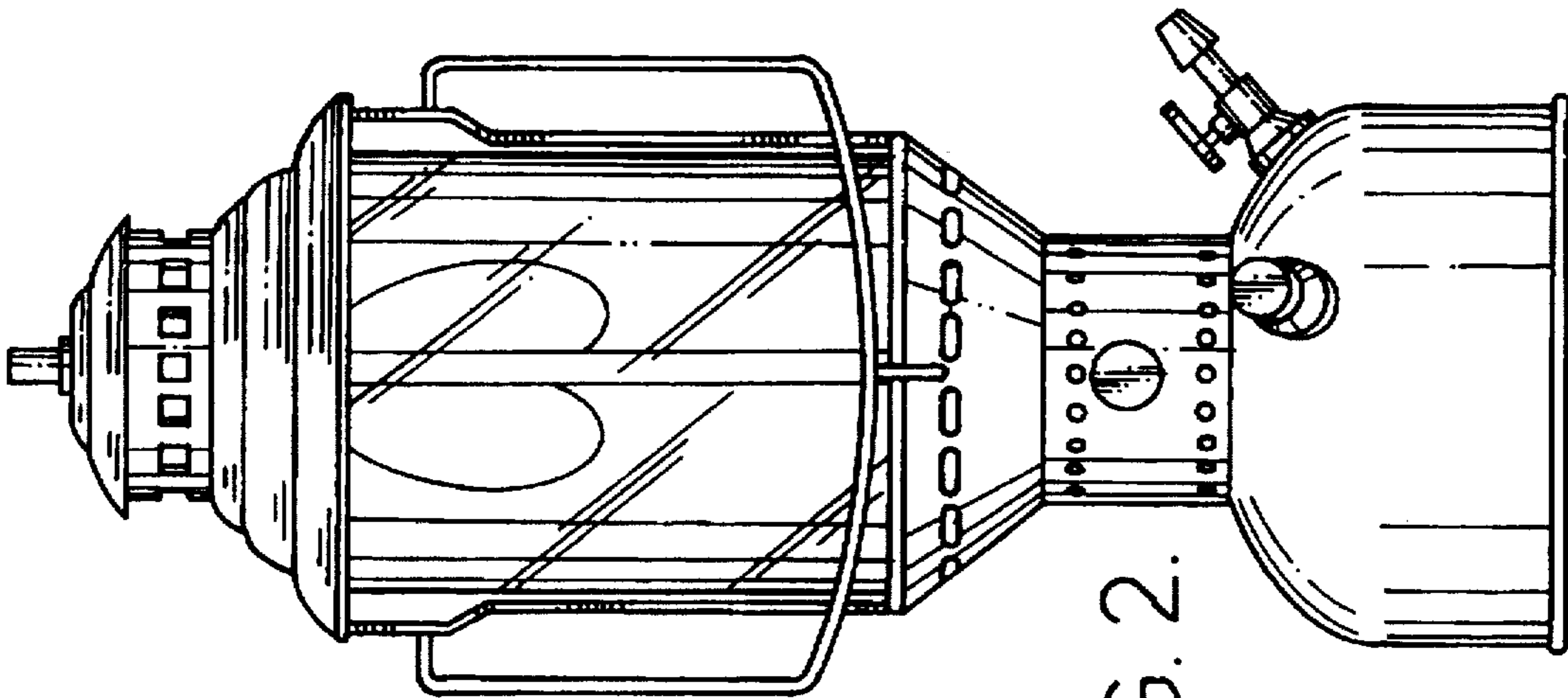
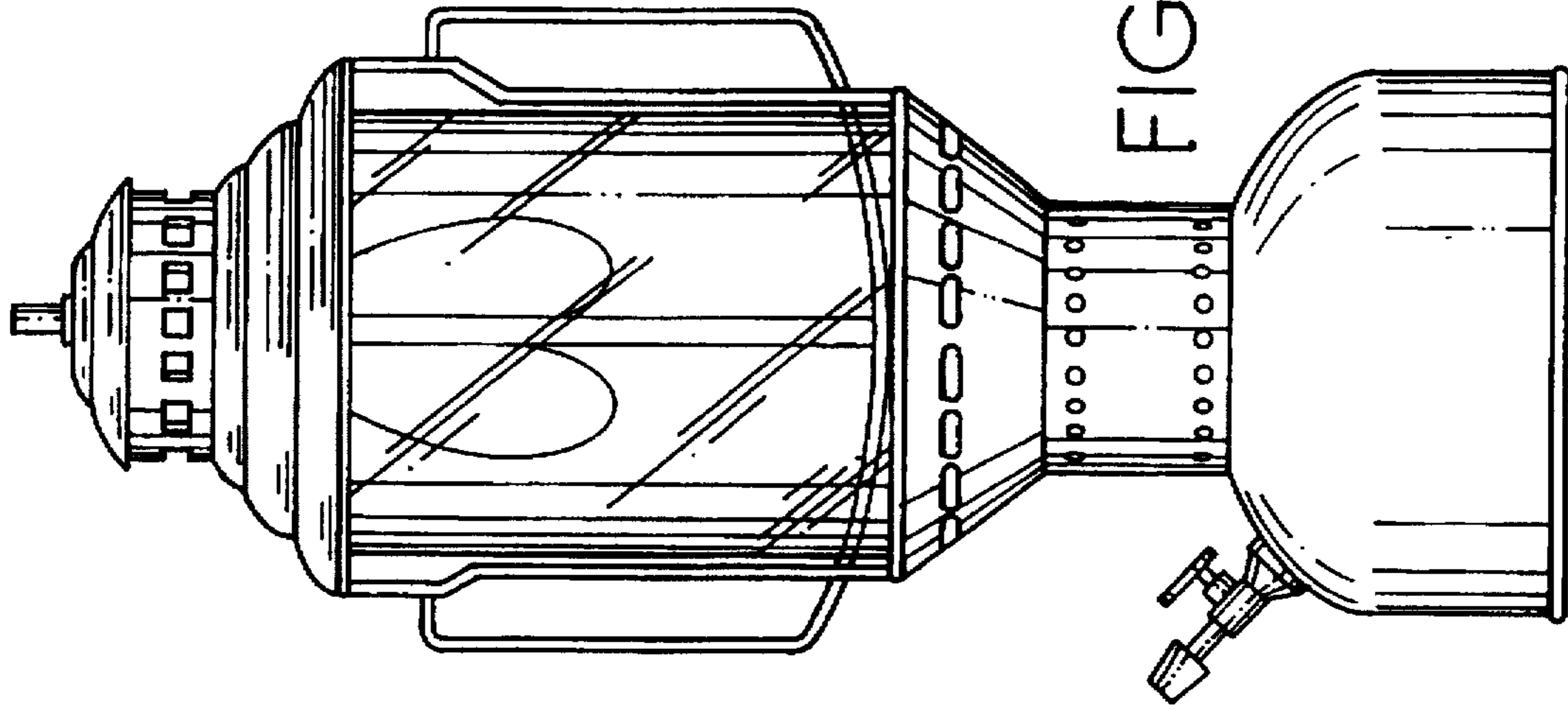
1,303,462 5/1919 Coleman 362/180
1,910,163 5/1933 Hogan 431/107 X
2,263,659 11/1941 Tullis 362/179
2,402,138 6/1946 Hebard 158/120
2,638,085 5/1953 Guedon 126/40

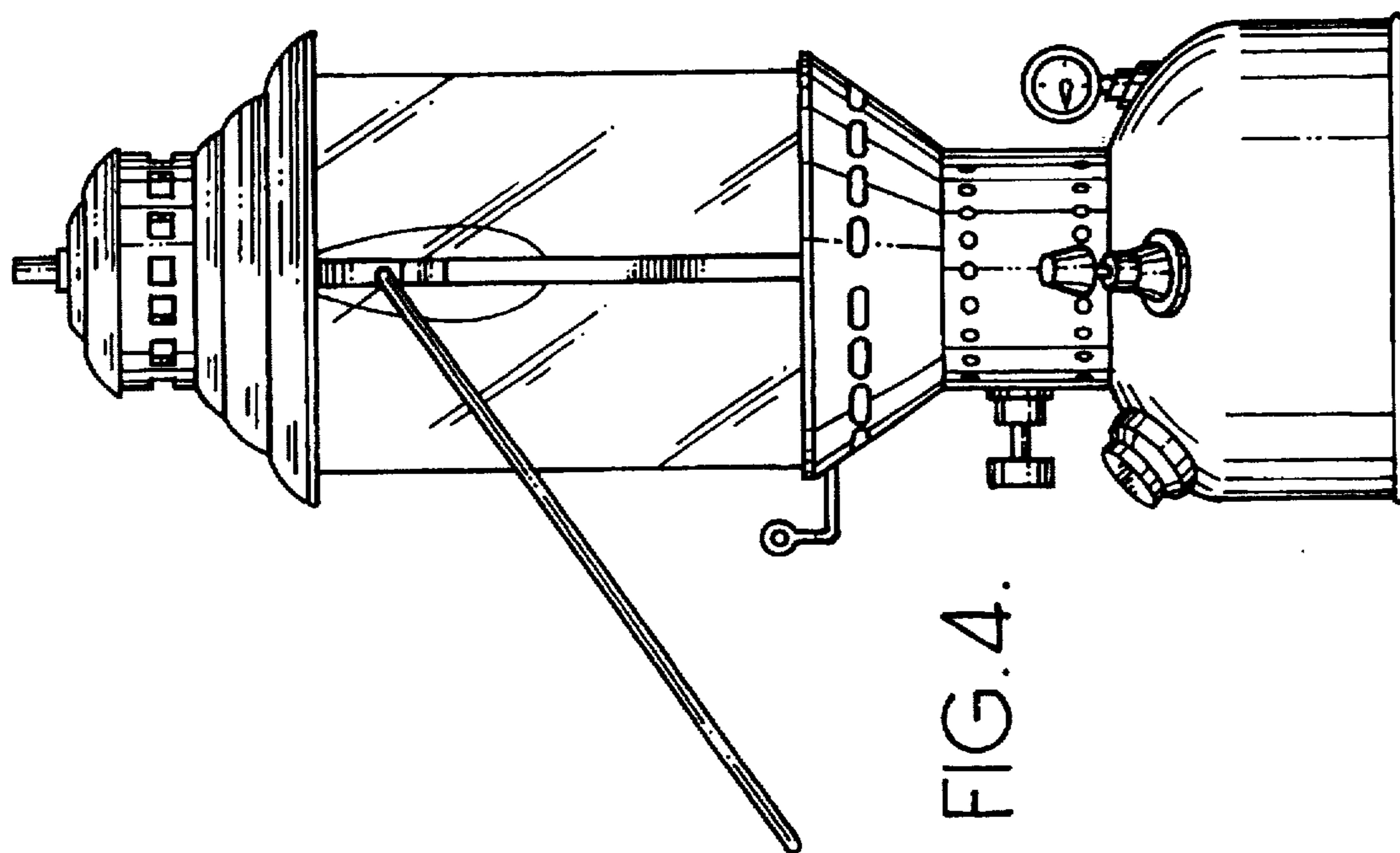
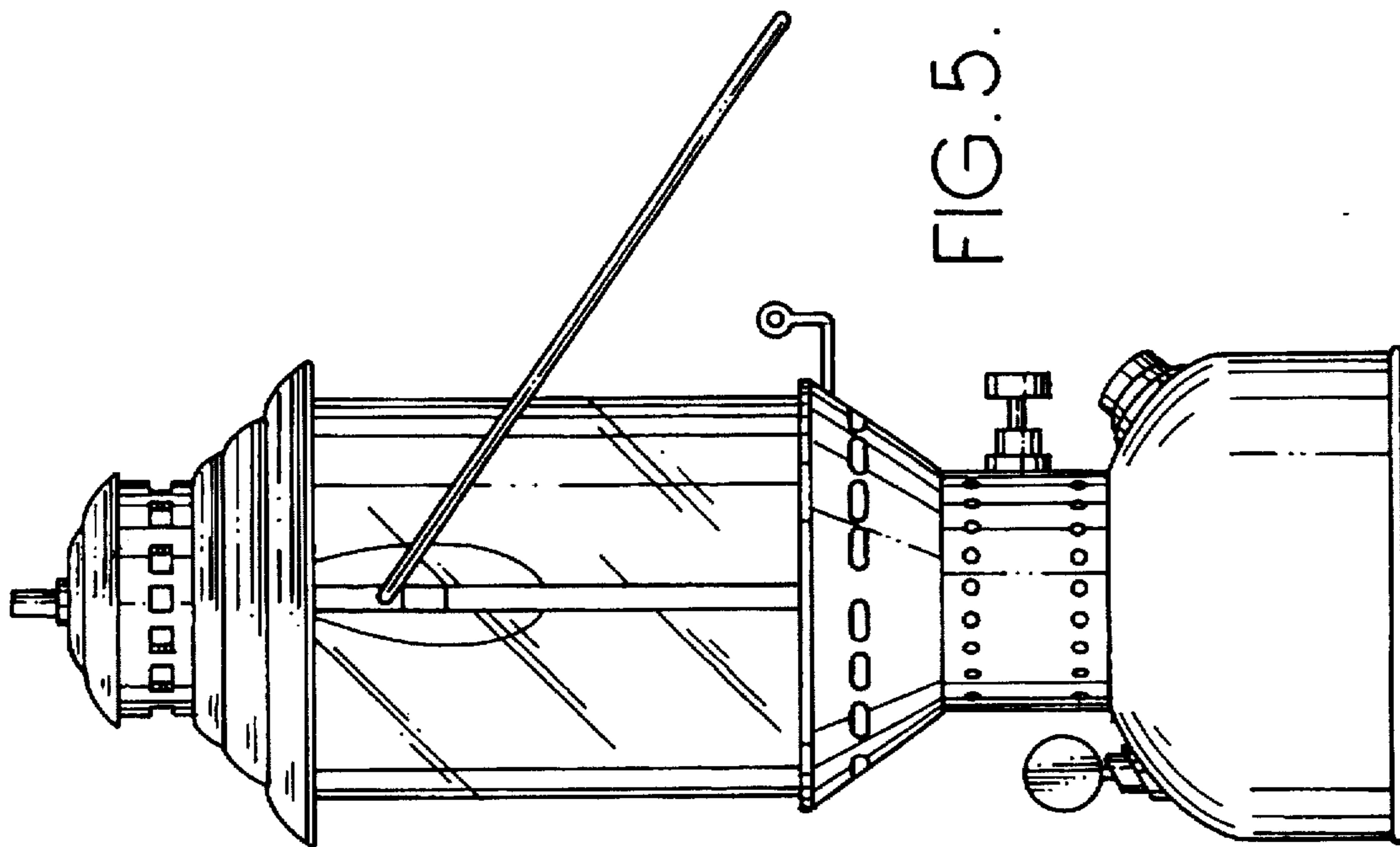
FIG. 1 is an exploded perspective view of a gas powered lantern showing our new design;
FIG. 2 is a front elevational view thereof;
FIG. 3 is a rear elevational view thereof;
FIG. 4 is a right side elevational view thereof;
FIG. 5 is a left side elevational view thereof;
FIG. 6 is a top plan view thereof; and,
FIG. 7 is a bottom plan view thereof.

1 Claim, 4 Drawing Sheets









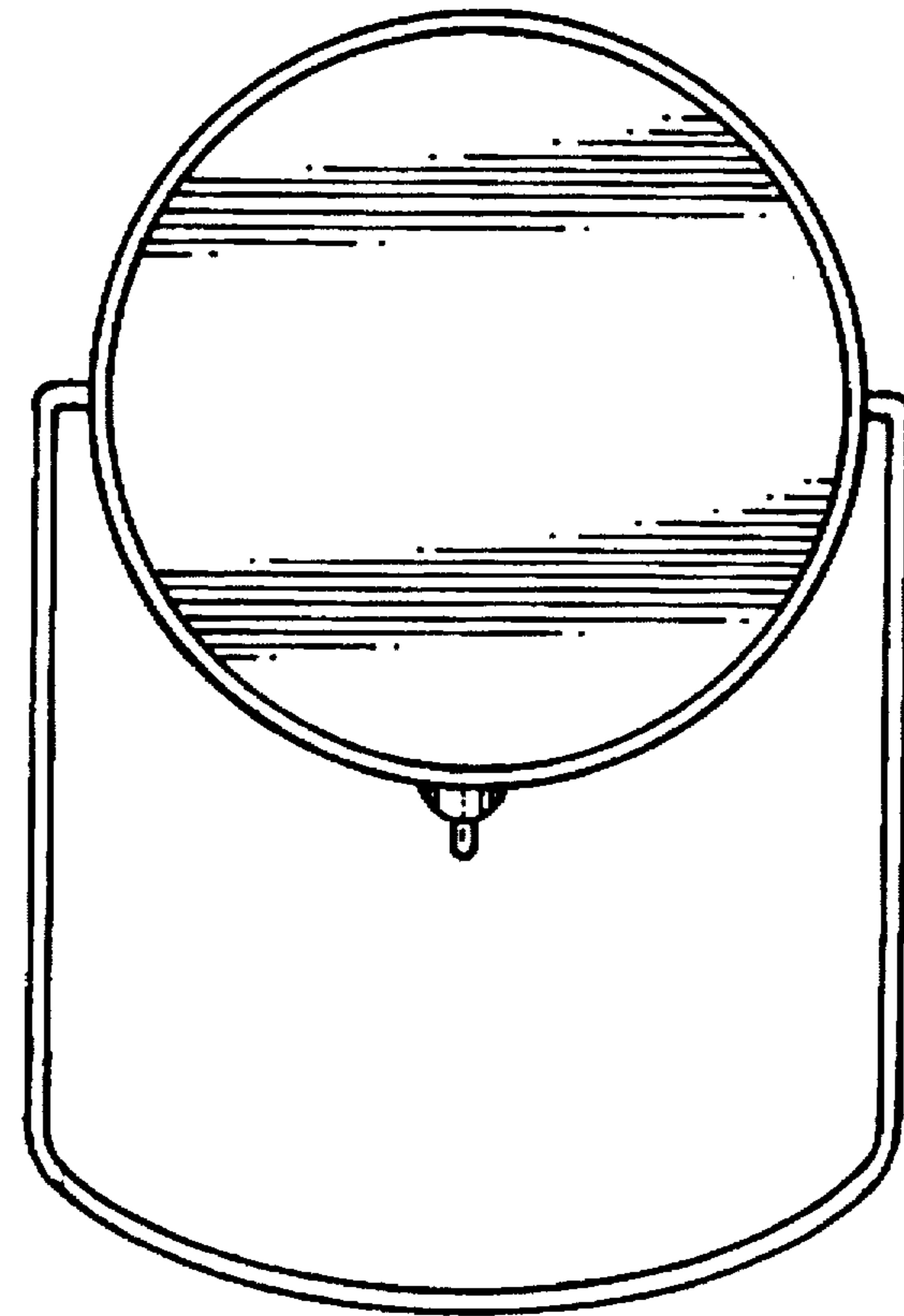


FIG. 7.

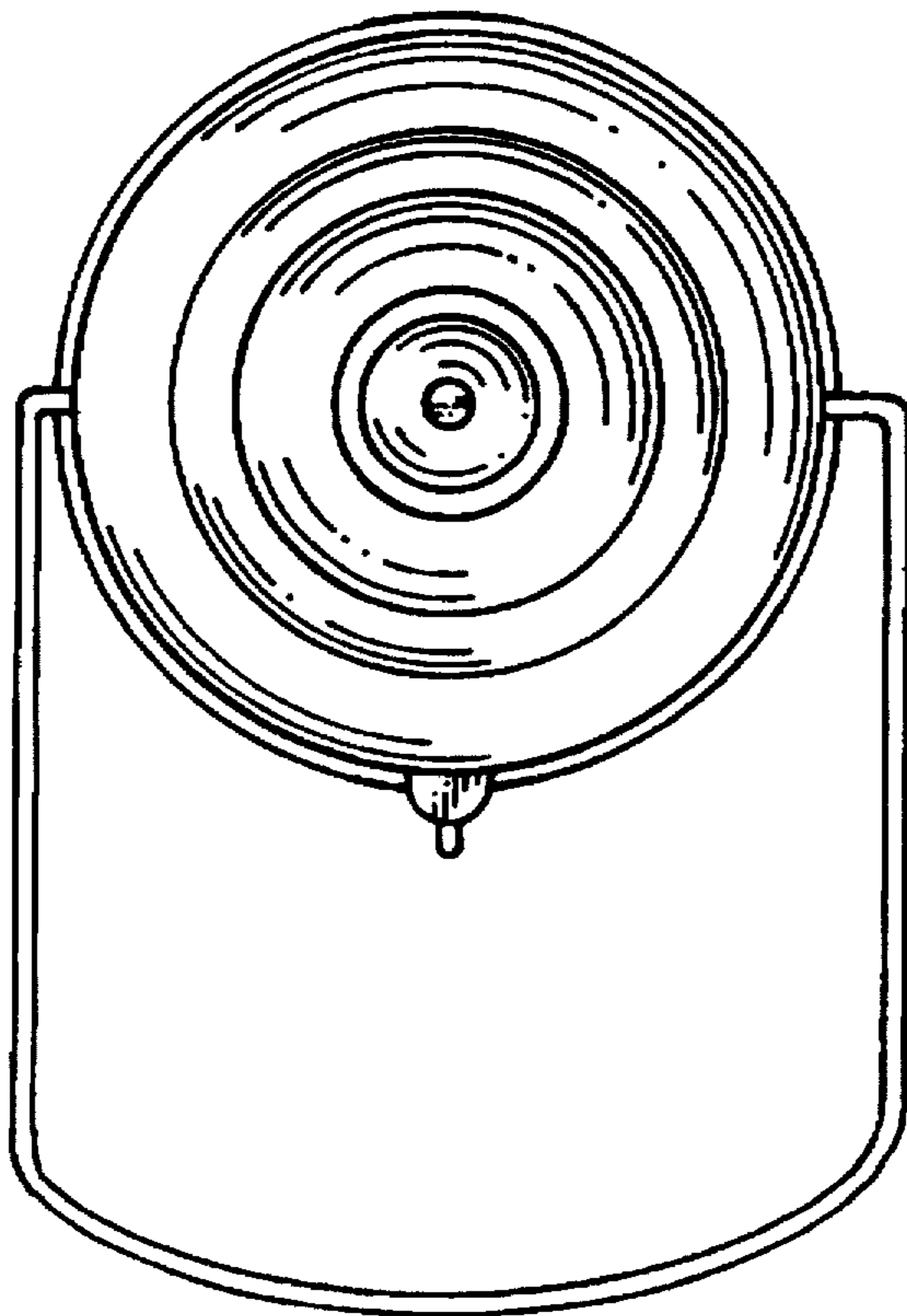


FIG. 6.