



US00D389251S

United States Patent [19]
Kelly

[11] **Patent Number:** **Des. 389,251**
[45] **Date of Patent:** ****Jan. 13, 1998**

- [54] **WINGED CONCRETE ANCHOR**
- [75] **Inventor:** **David L. Kelly**, Sacramento, Calif.
- [73] **Assignee:** **The Burke Group LLC**, Long Beach, Calif.
- [**] **Term:** **14 Years**
- [21] **Appl. No.:** **45,213**
- [22] **Filed:** **Oct. 13, 1995**
- [51] **LOC (6) Cl.** **25-01**
- [52] **U.S. Cl.** **D25/133**
- [58] **Field of Search** **D25/133-134,**
D25/199, 127, 131-132; 52/711, 698-699,
125.4, 125.5, 124.2, 701, 709, 122.1; 294/89,
83 R

4,466,569	8/1984	Taylor	52/698
4,580,378	4/1986	Kelly et al.	52/125.5
4,930,269	6/1990	Kelly et al.	52/125.5

FOREIGN PATENT DOCUMENTS

0568934A2	4/1993	European Pat. Off.	.
2586442	8/1985	France	.

Primary Examiner—Holly Baynham
Attorney, Agent, or Firm—Limbach & Limbach L.L.P.

[57] **CLAIM**

The ornamental design for a winged concrete anchor, as shown.

DESCRIPTION

FIG. 1 is a perspective view of the winged concrete anchor showing my new design;
FIG. 2 is an right side elevational view thereof;
FIG. 3 is a front elevational view thereof;
FIG. 4 is a left side elevational view thereof;
FIG. 5 is a rear elevational view thereof;
FIG. 6 is a top plan view thereof; and,
FIG. 7 is a bottom plan view thereof.

[56] **References Cited**

U.S. PATENT DOCUMENTS

2,886,370	5/1959	Liebrt	294/89
3,883,170	5/1975	Fricker et al.	294/83 R
4,173,856	11/1979	Fricker	52/125
4,367,892	1/1983	Holt	294/89

1 Claim, 2 Drawing Sheets

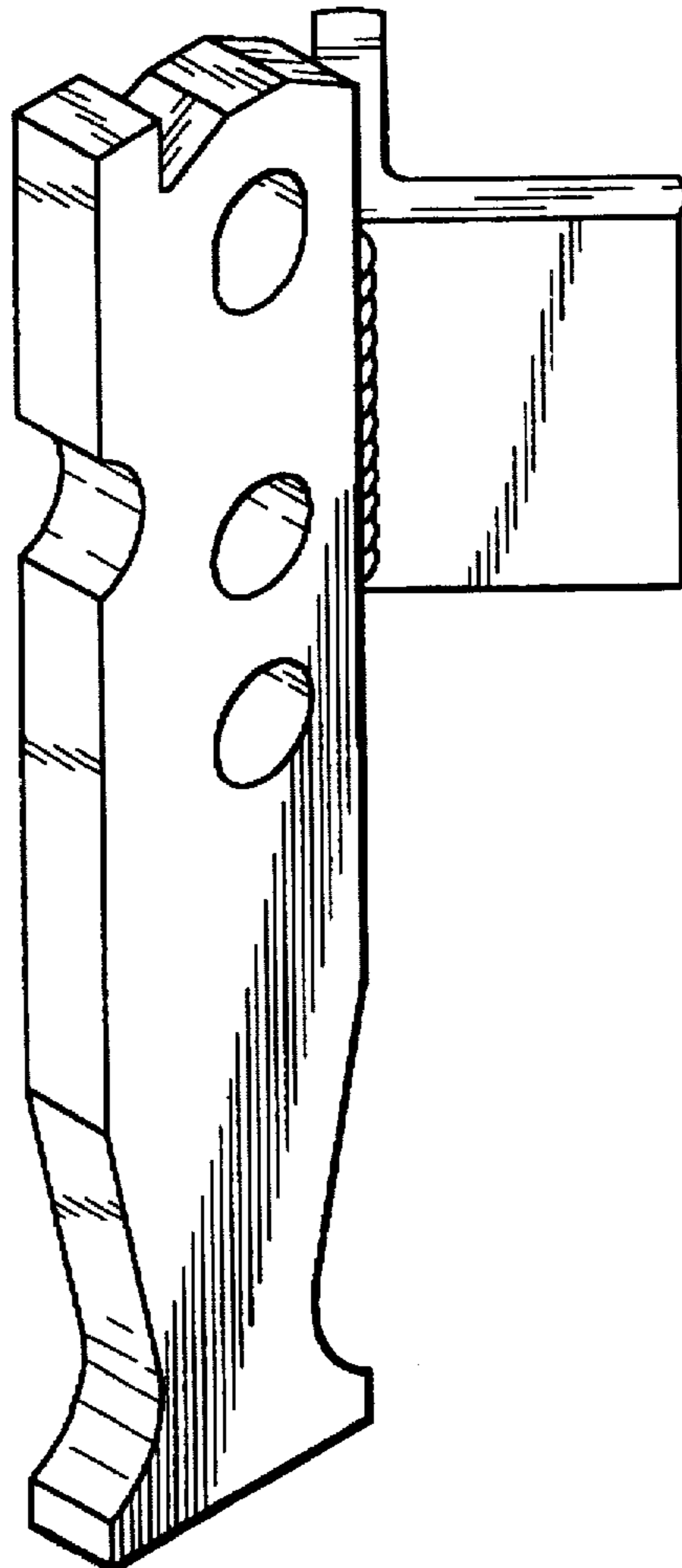


FIG. 1

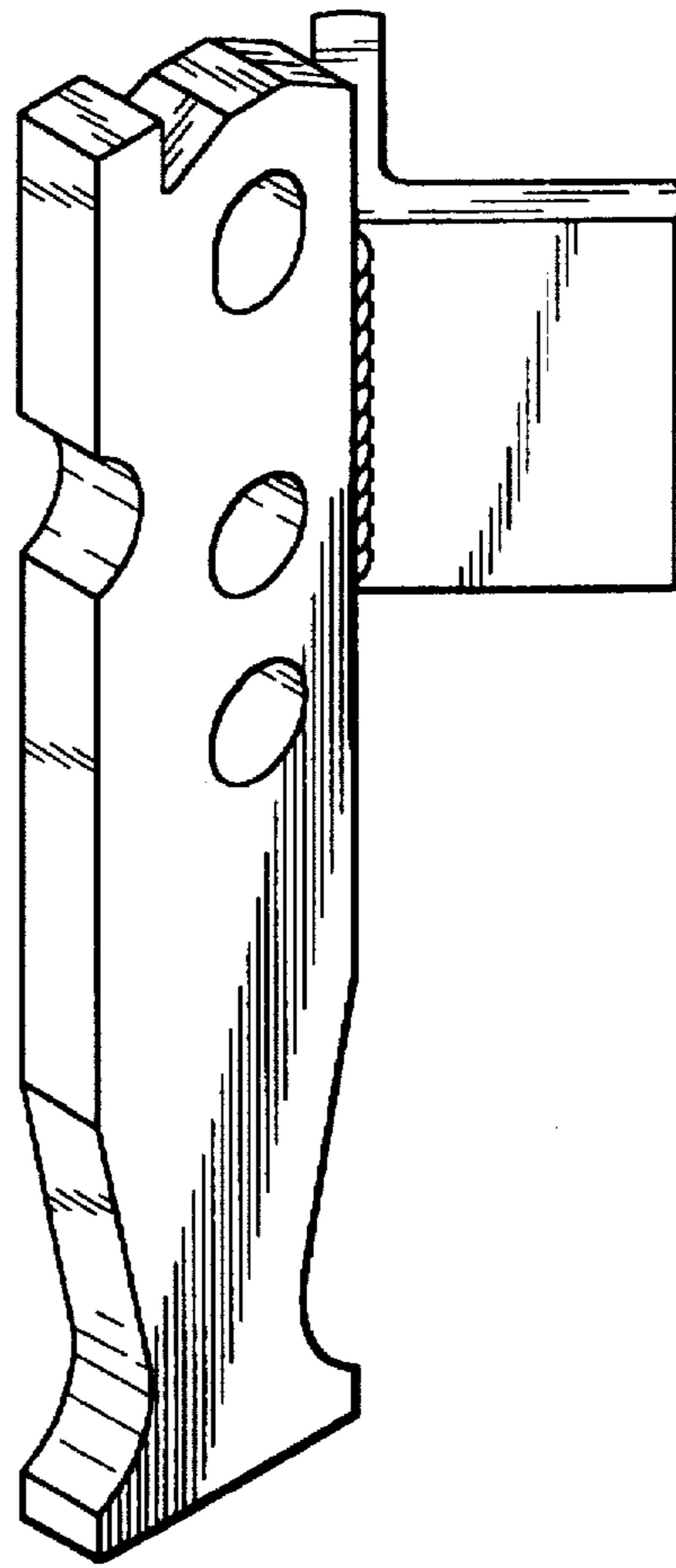


FIG. 2

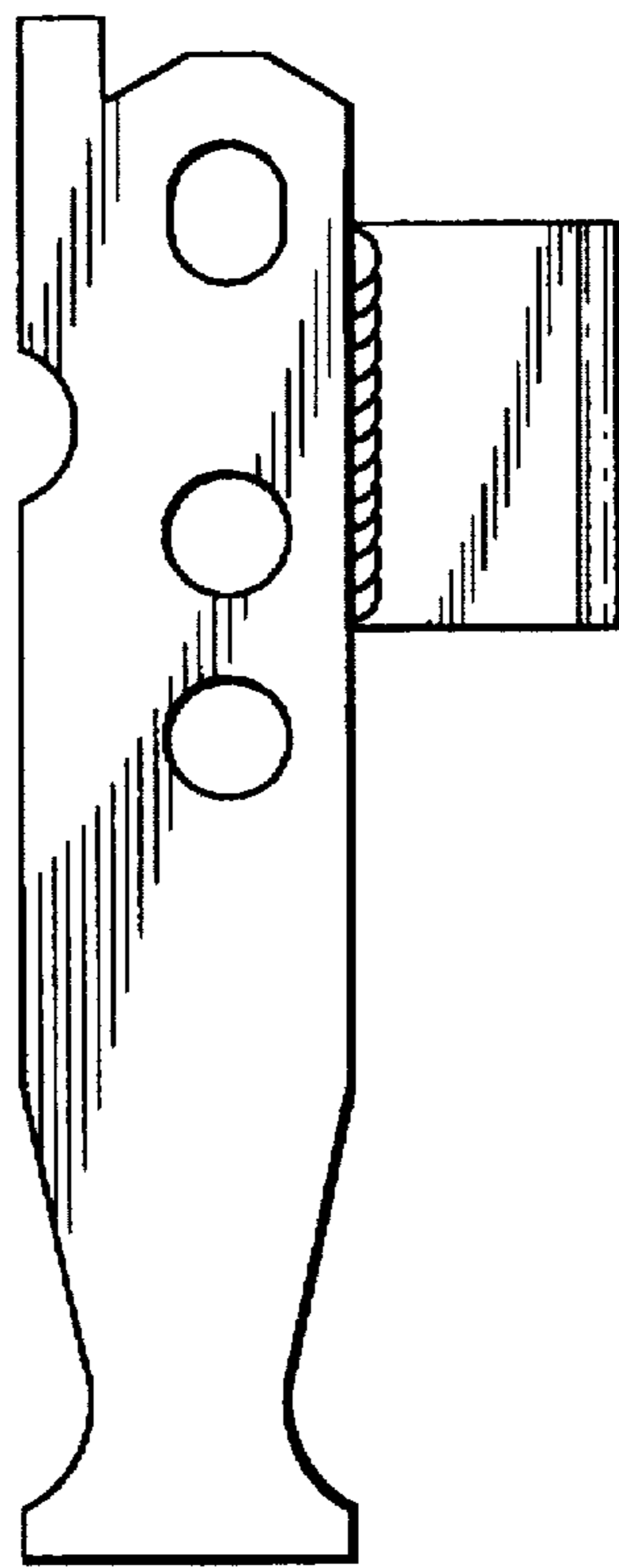
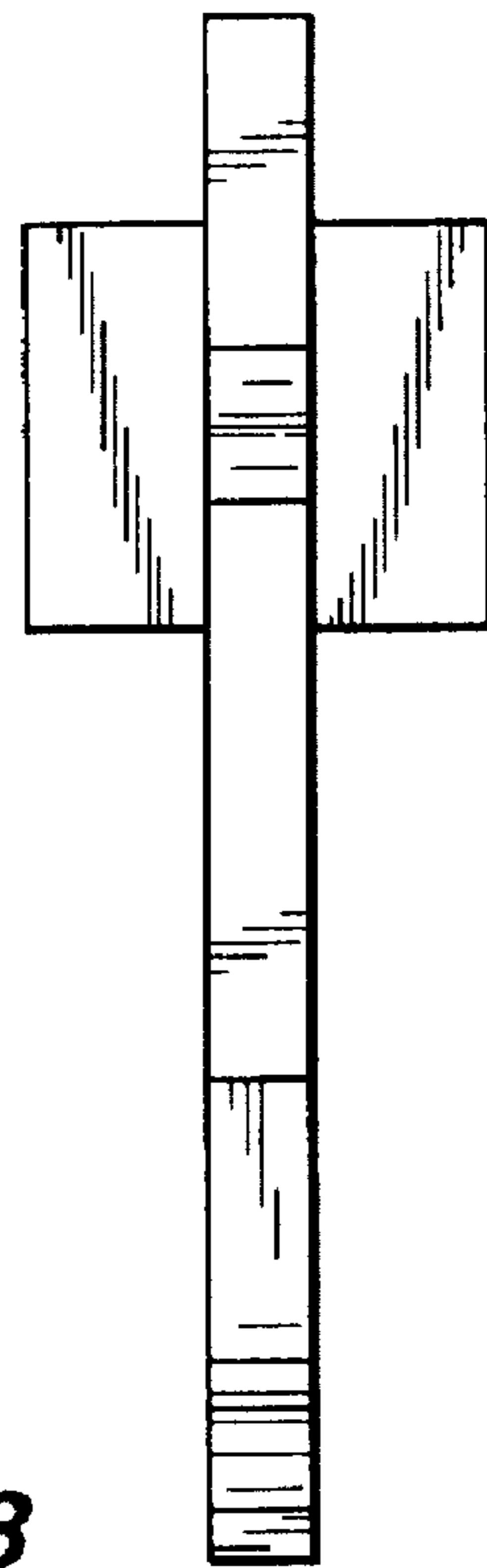


FIG. 3



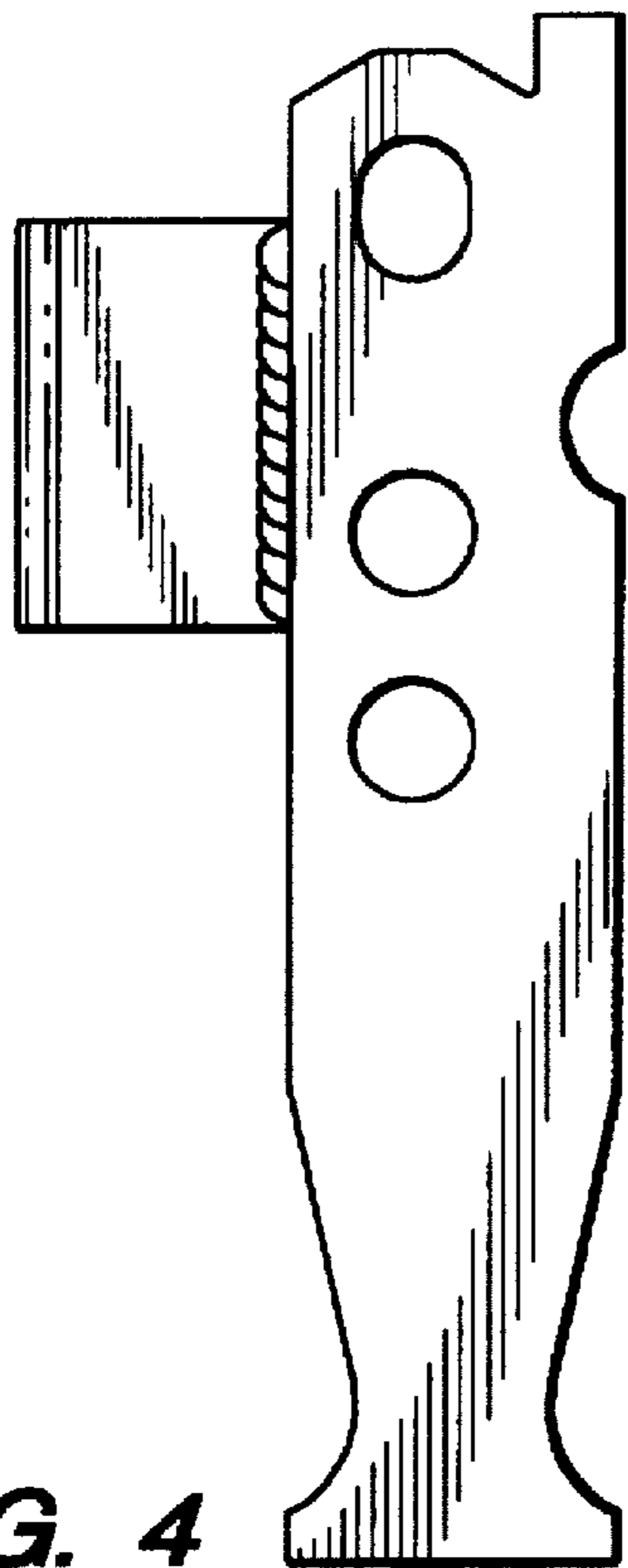


FIG. 4

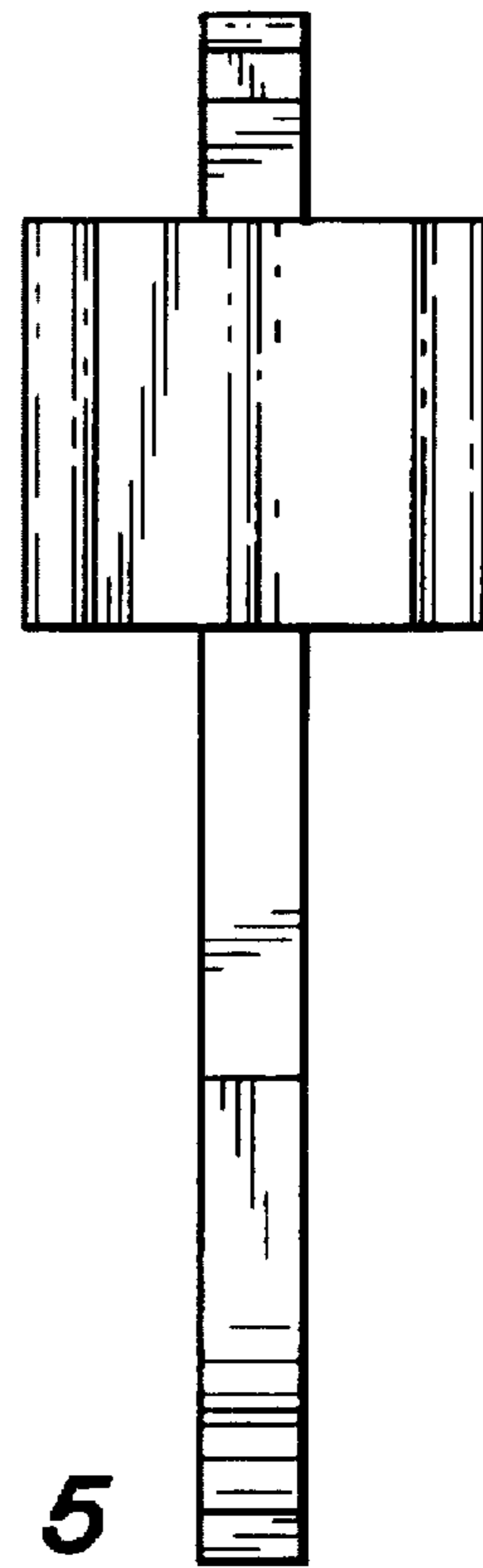


FIG. 5

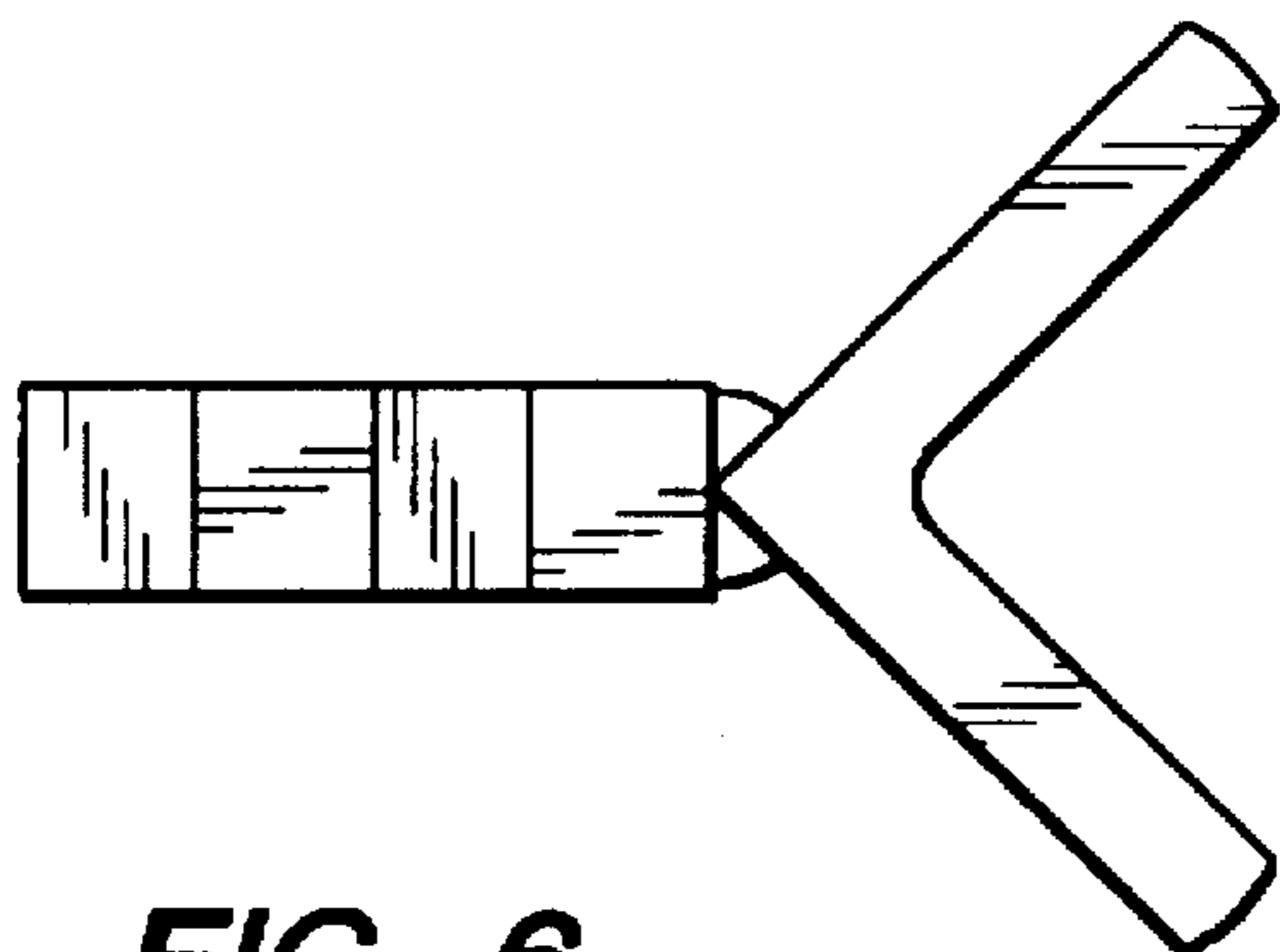


FIG. 6

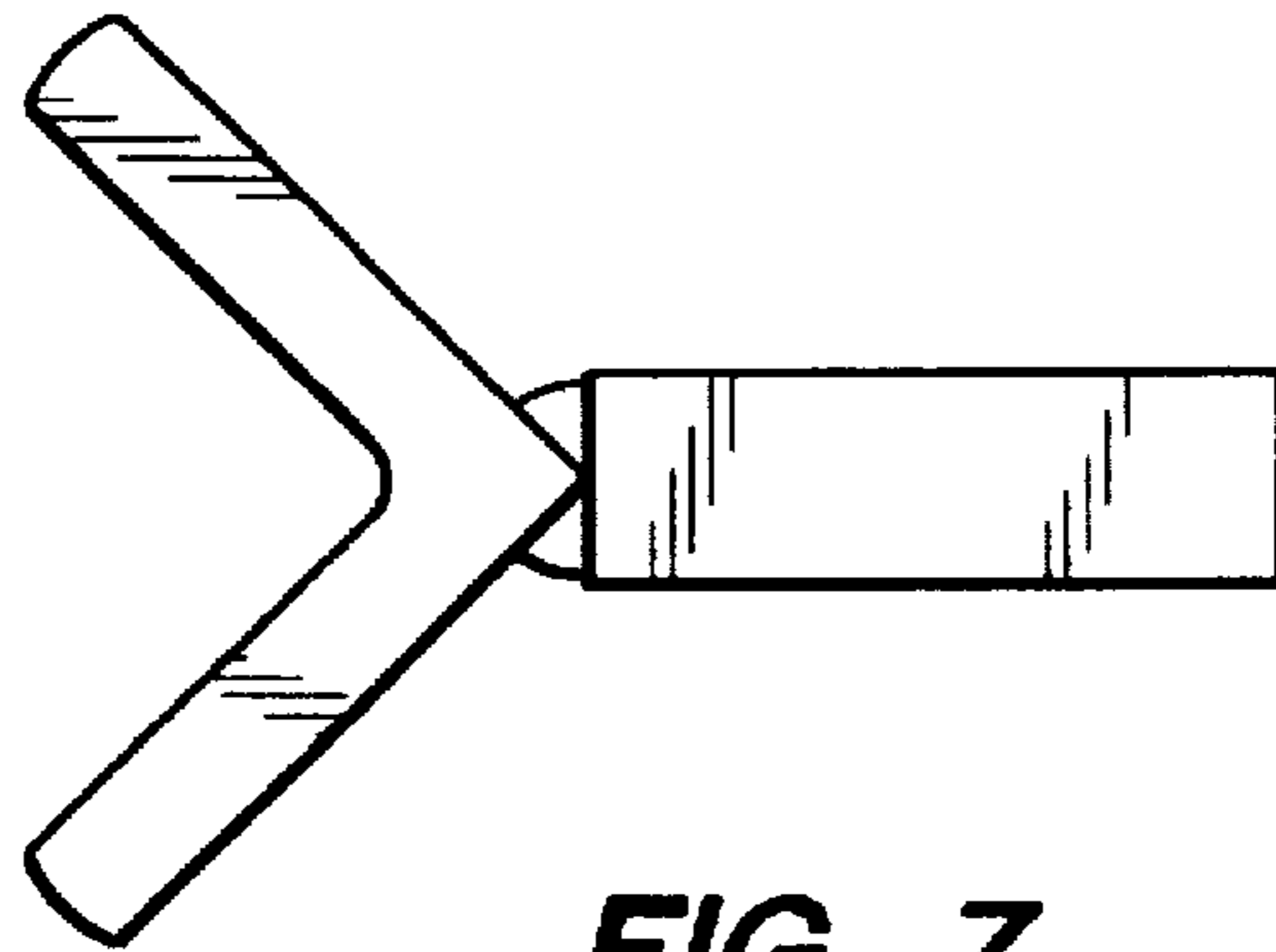


FIG. 7