

US00D389249S

United States Patent [19]

Goss

[11] Patent Number: Des. 389,249

[45] Date of Patent: **Jan. 13, 1998

[54] WINDOW COMPONENT EXTRUSION 7045

D. 358,672 5/1995 Franson et al. D25/125

[75] Inventor: Lorane Goss, Slippery Rock, Pa.

OTHER PUBLICATIONS

[73] Assignee: Mikron Industries, Inc., Kent, Wash.

Mikron Industries Design No. 6482, Inventor: Doug Cole.
Mikron Industries Design No. 6674, Inventor: Jeff Franson.

[**] Term: 14 Years

Primary Examiner—Doris Clark
Attorney, Agent, or Firm—Richardson & Folise

[21] Appl. No.: 41,154

[57] CLAIM

[22] Filed: Jun. 29, 1995

The ornamental design for a window component extrusion 7045, as shown and described.

[51] LOC (6) Cl. 25-01

[52] U.S. Cl. D25/124

[58] Field of Search D25/121-125,
D25/60, 52; 49/DIG. 2, 504, 505; 52/204.5,
204.56, 204.51, 730.3, 204.1

DESCRIPTION

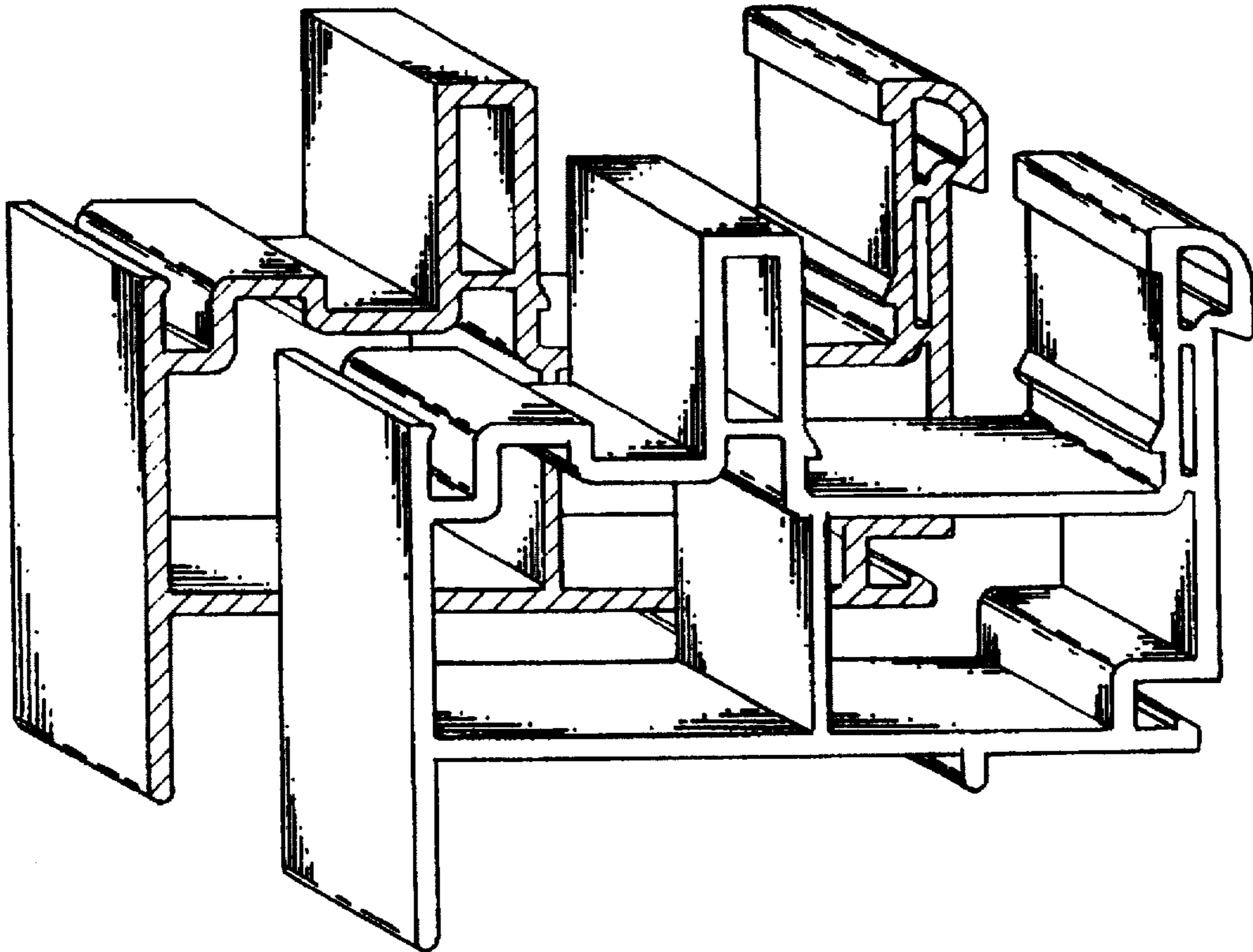
FIG. 1 is a top right perspective view of the window component extrusion being of indefinite length; and, FIG. 2 is a bottom left perspective view of the window component extrusion shown in FIG. 1.

[56] References Cited

U.S. PATENT DOCUMENTS

D. 334,817 4/1993 Cole D25/124

1 Claim, 1 Drawing Sheet



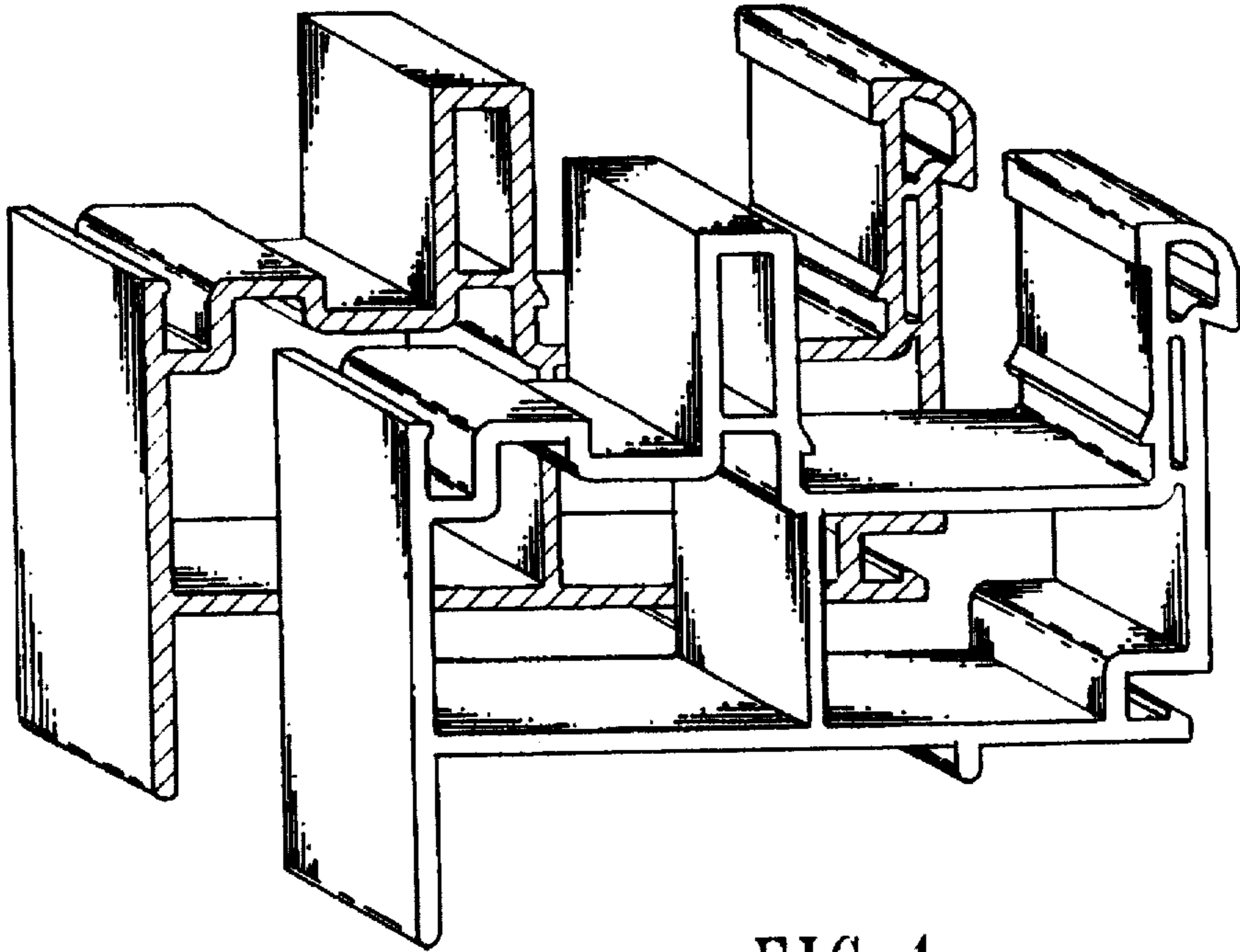


FIG. 1

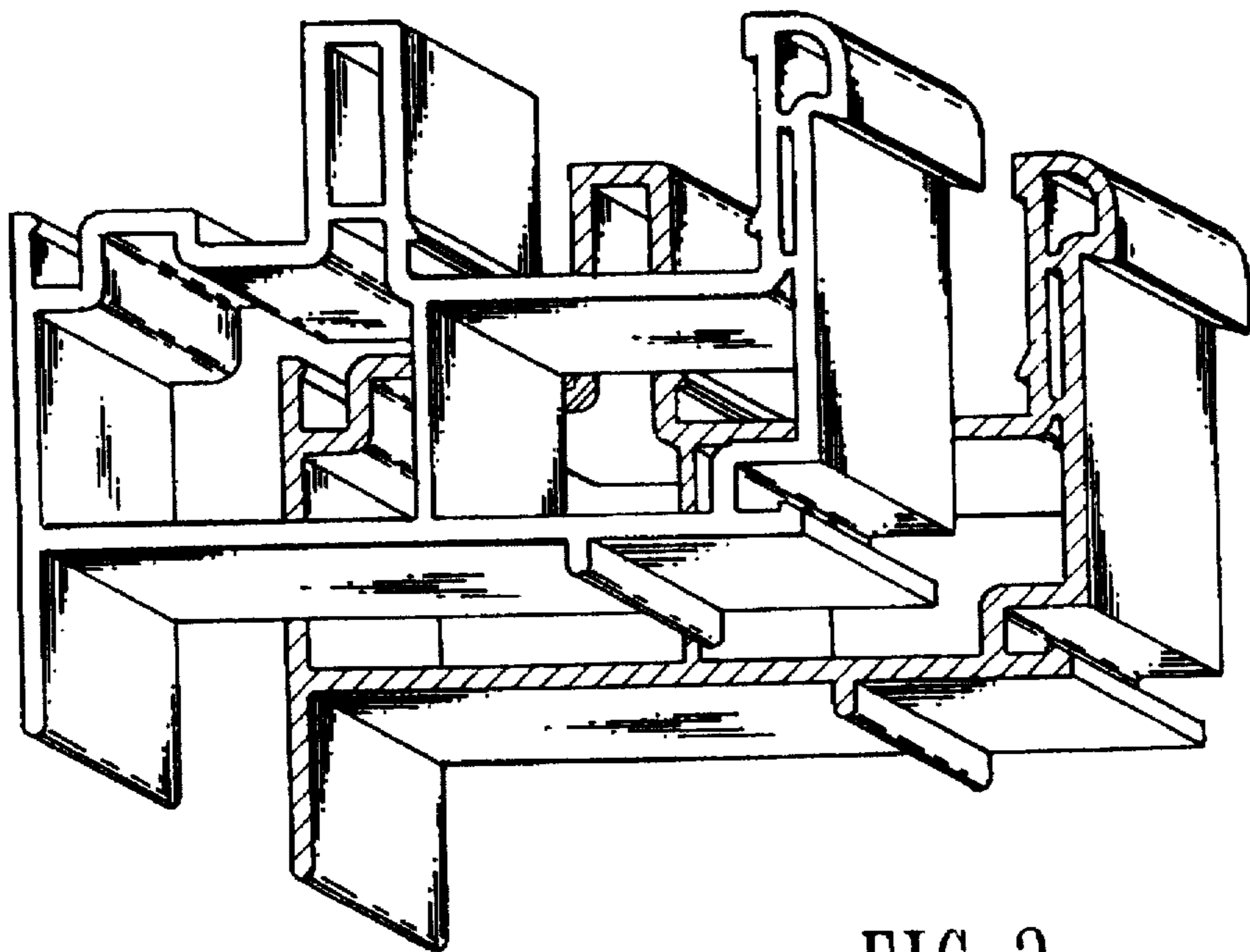


FIG. 2