



US00D389246S

United States Patent [19]
Quinn

[11] **Patent Number:** **Des. 389,246**
[45] **Date of Patent:** ****Jan. 13, 1998**

[54] **OUTDOOR INFORMATION KIOSK**
[75] **Inventor:** **Bruce A. Quinn, Beavercreek, Ohio**
[73] **Assignee:** **NCR Corporation, Dayton, Ohio**
[**] **Term:** **14 Years**
[21] **Appl. No.:** **62,097**
[22] **Filed:** **Nov. 7, 1996**
[51] **LOC (6) Cl.** **25-03**
[52] **U.S. Cl.** **D25/16**
[58] **Field of Search** **D25/16; 52/79.1**

Attorney, Agent, or Firm—James M. Stover

[57] **CLAIM**

The ornamental design for an outdoor information kiosk, as shown and described.

DESCRIPTION

FIG. 1 is a front elevational view of an outdoor information kiosk showing my new design for said outdoor information kiosk;

FIG. 2 is a rear elevational view thereof;

FIG. 3 is a right side elevational view thereof;

FIG. 4 is a left side elevational view thereof;

FIG. 5 is a top view thereof; and,

FIG. 6 is a left front perspective view thereof.

In FIGS. 1 and 6, the broken lines showing a screen of a computer monitor set behind the front panel of the information kiosk is for illustrative purposes only and forms no part of the claimed design.

[56] **References Cited**

U.S. PATENT DOCUMENTS

D. 237,381 10/1975 Jenson D25/16
D. 332,017 12/1992 King D25/16
D. 354,407 1/1995 Baloga et al. D25/16

Primary Examiner—Doris Clark

1 Claim, 6 Drawing Sheets

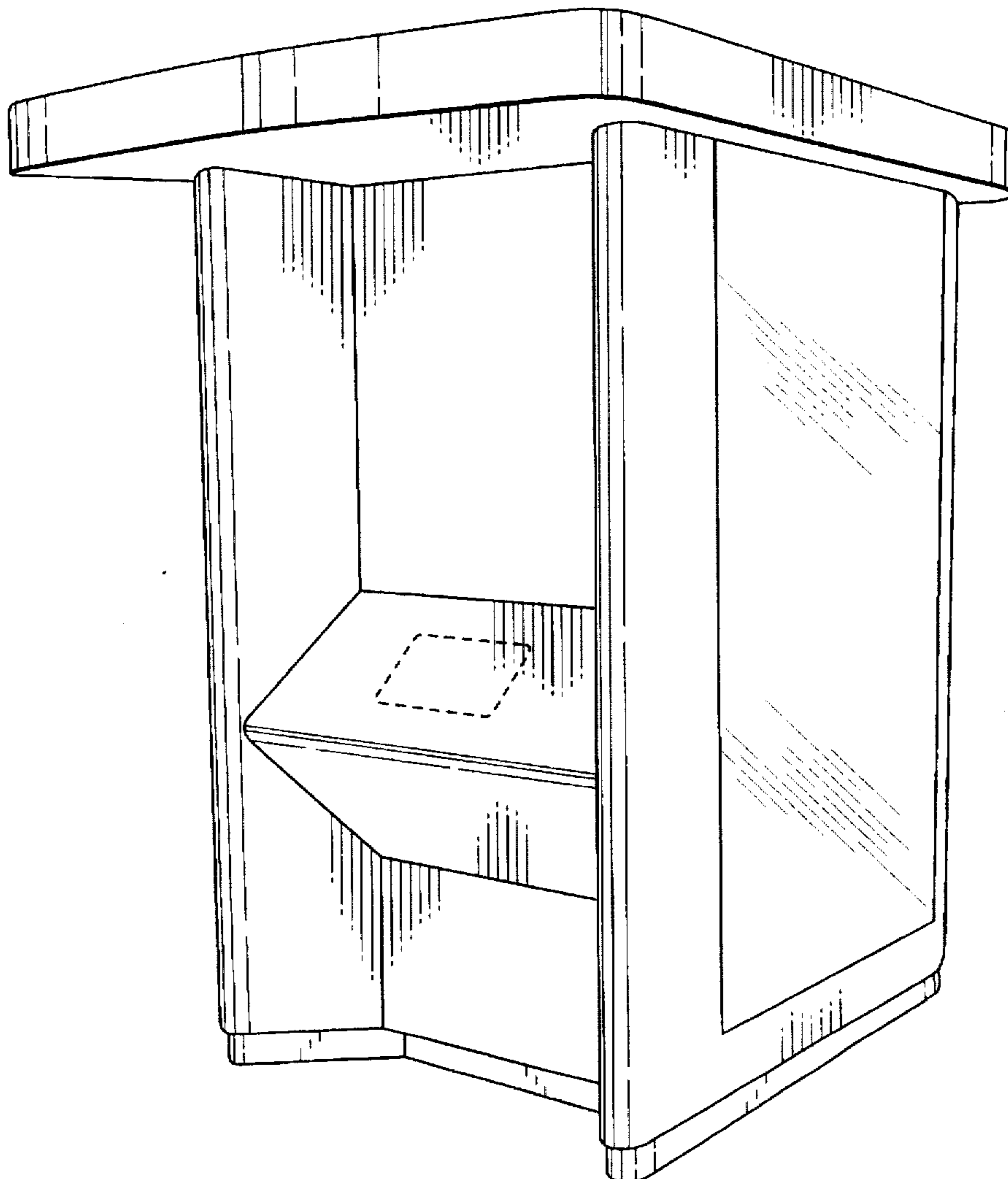


FIG. 1

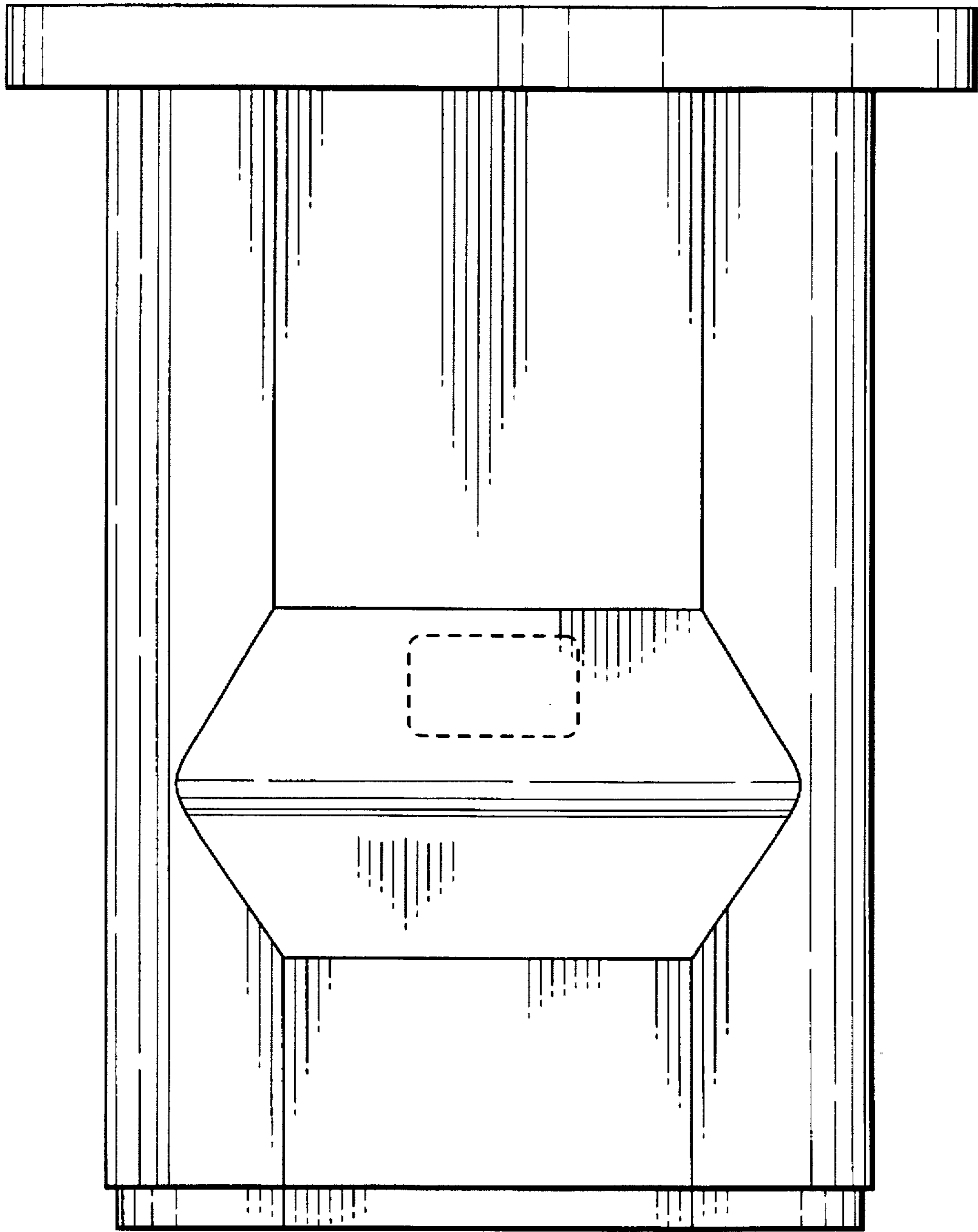


FIG. 2

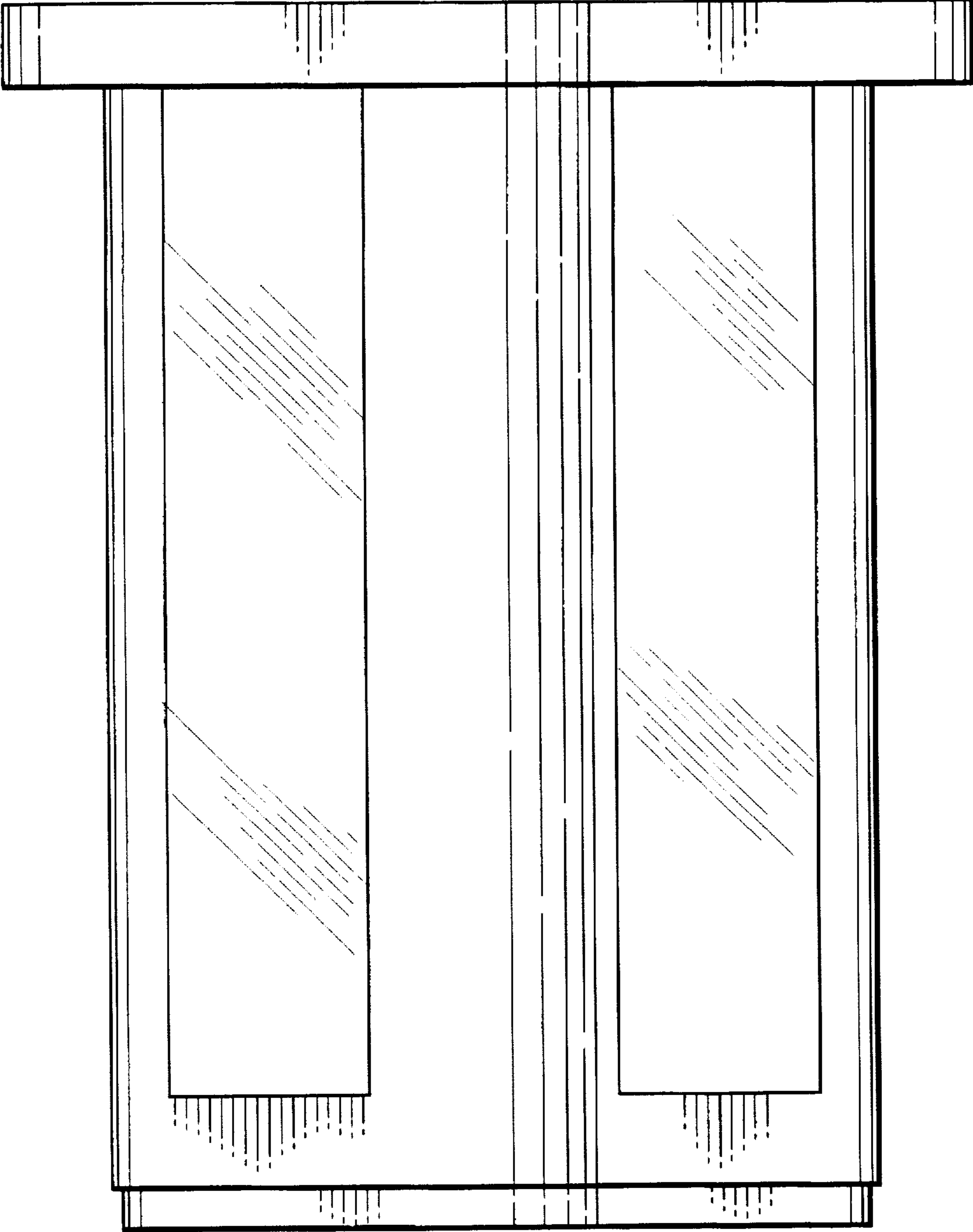


FIG. 3

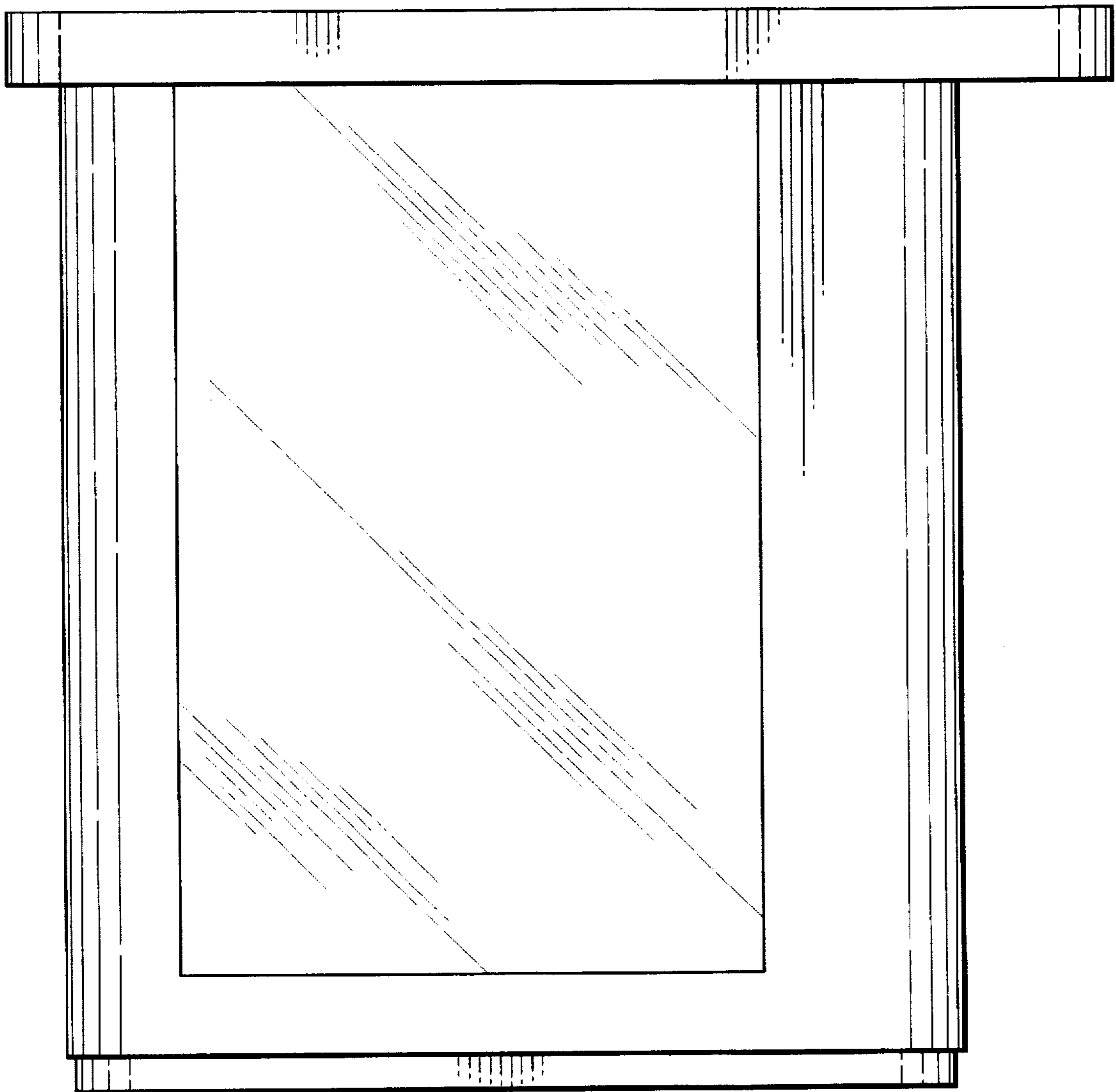


FIG. 4

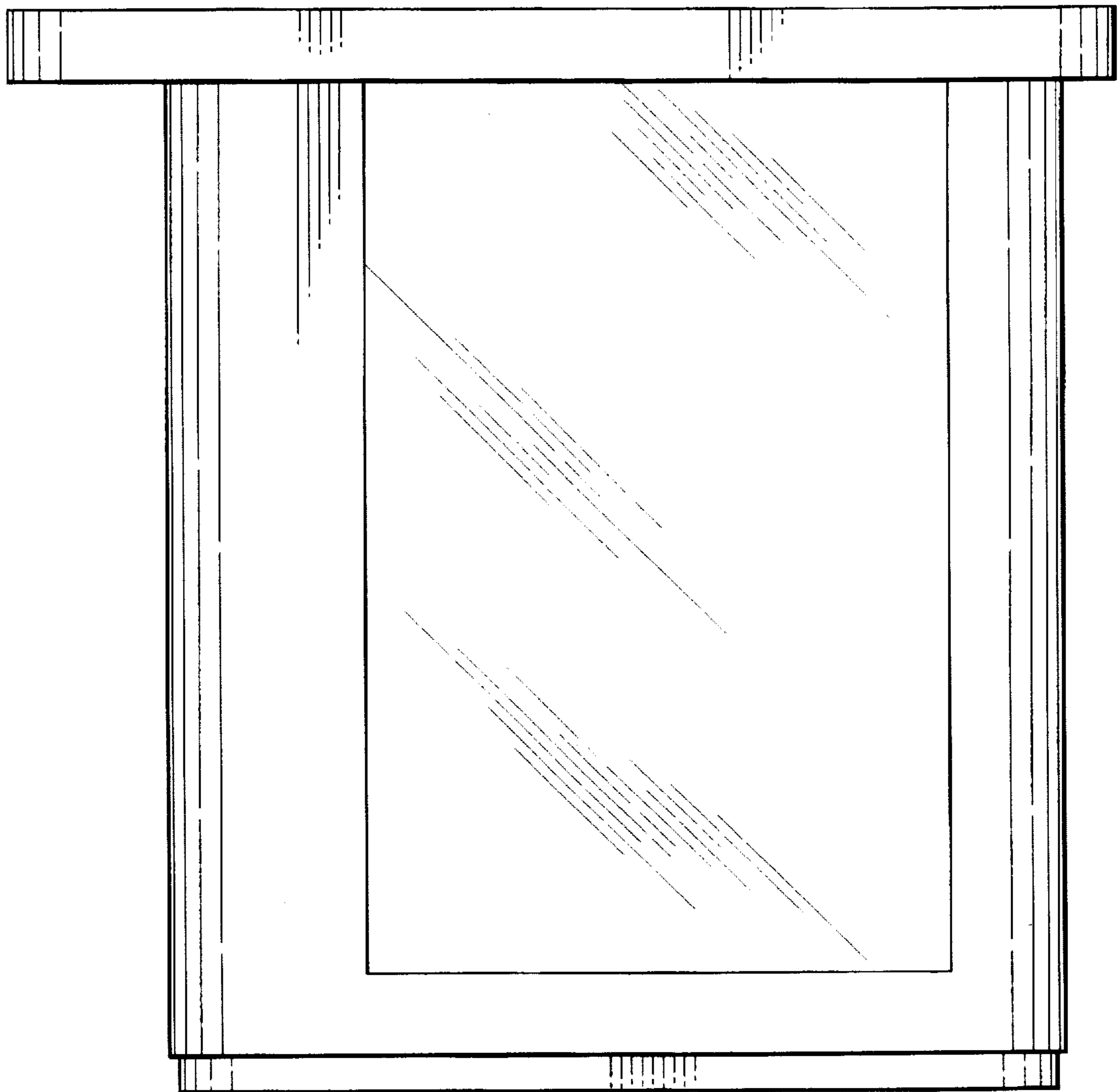


FIG. 5

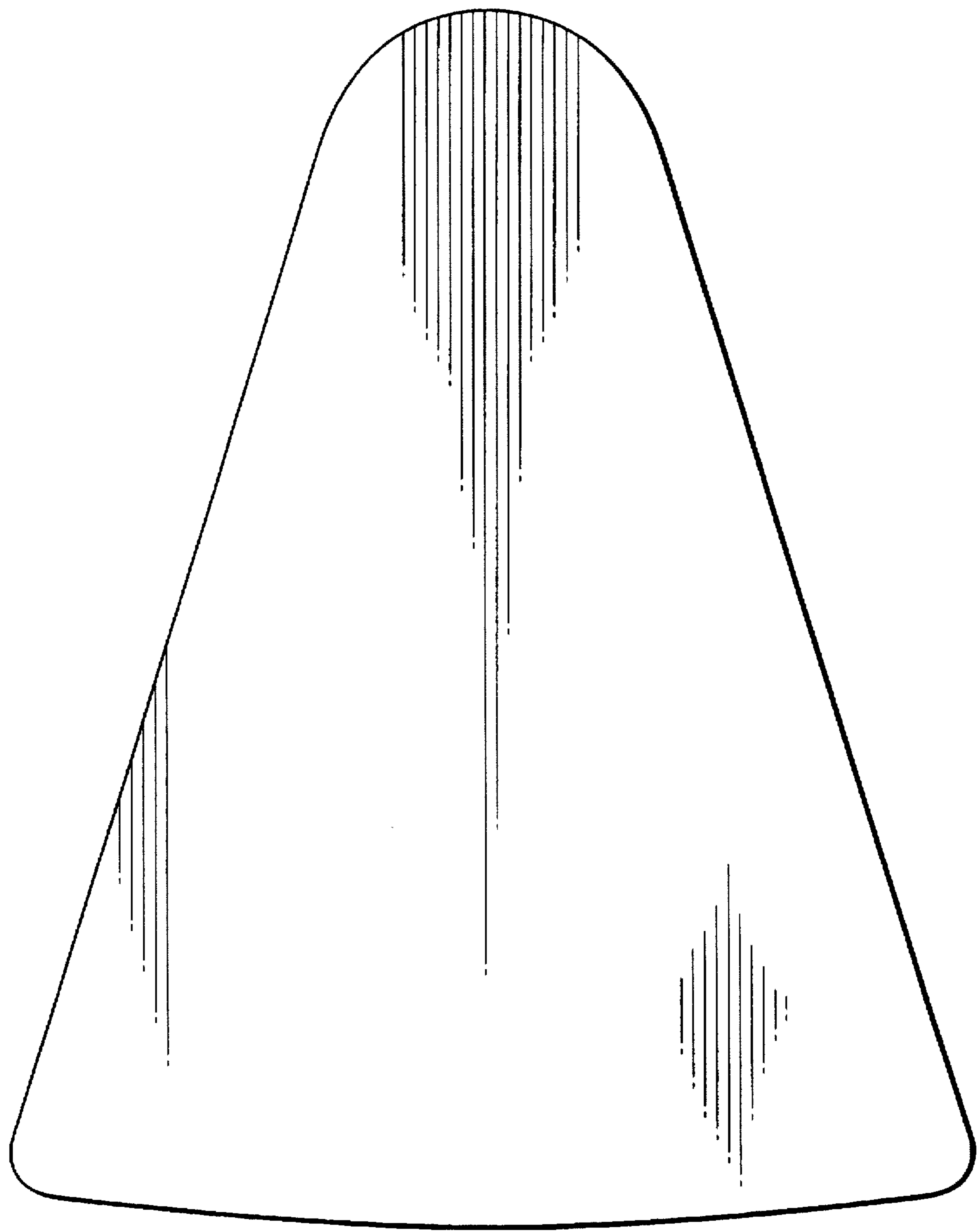


FIG. 6

