



US00D389245S

United States Patent [19]
Lopez

[11] **Patent Number:** **Des. 389,245**
[45] **Date of Patent:** ****Jan. 13, 1998**

[54] **HYDROTHERAPY JET**

[76] **Inventor:** **Robert Lopez**, 1219 S. Bonview Ave.,
Ontario, Calif. 91761

[**] **Term:** **14 Years**

[21] **Appl. No.:** **48,790**

[22] **Filed:** **Dec. 20, 1995**

[51] **LOC (6) Cl.** **23-02**

[52] **U.S. Cl.** **D24/204**

[58] **Field of Search** **D24/201, 204;**
4/541.2-541.6, 492; 601/169

[56] **References Cited**

U.S. PATENT DOCUMENTS

D. 319,107	8/1991	Bucher	D24/201
D. 320,086	9/1991	Moeller	D24/204
D. 324,572	3/1992	Mikiyo et al.	D24/201
5,014,372	5/1991	Thrasher et al.	4/541.6
5,269,029	12/1993	Spears et al.	4/541.6

Primary Examiner—Stella Reid
Assistant Examiner—Eric Watterson
Attorney, Agent, or Firm—Robert N. Schlesinger

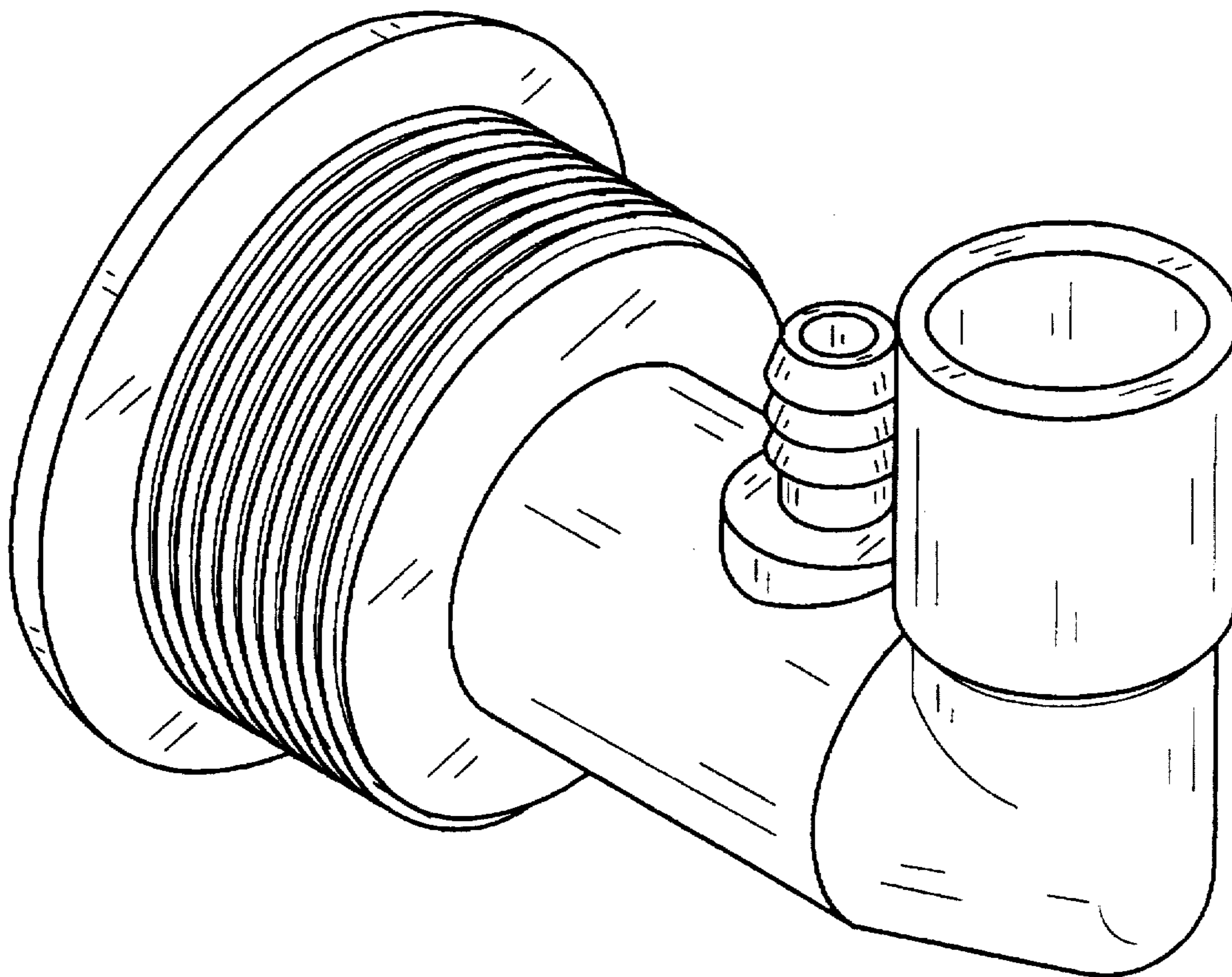
[57] **CLAIM**

The ornamental design for a hydrotherapy jet, as shown and described.

DESCRIPTION

FIG. 1 is a side elevational view of a hydrotherapy jet, showing my new design, the opposite side being a mirror image thereof;
FIG. 2 is a top view thereof;
FIG. 3 is an end view thereof;
FIG. 4 is an end view thereof, opposite that shown in FIG. 3;
FIG. 5 is a bottom view thereof;
FIG. 6 is an isometric view thereof; and,
FIG. 7 is a cross-sectional view taken along line 7—7 of FIG. 2.

1 Claim, 7 Drawing Sheets



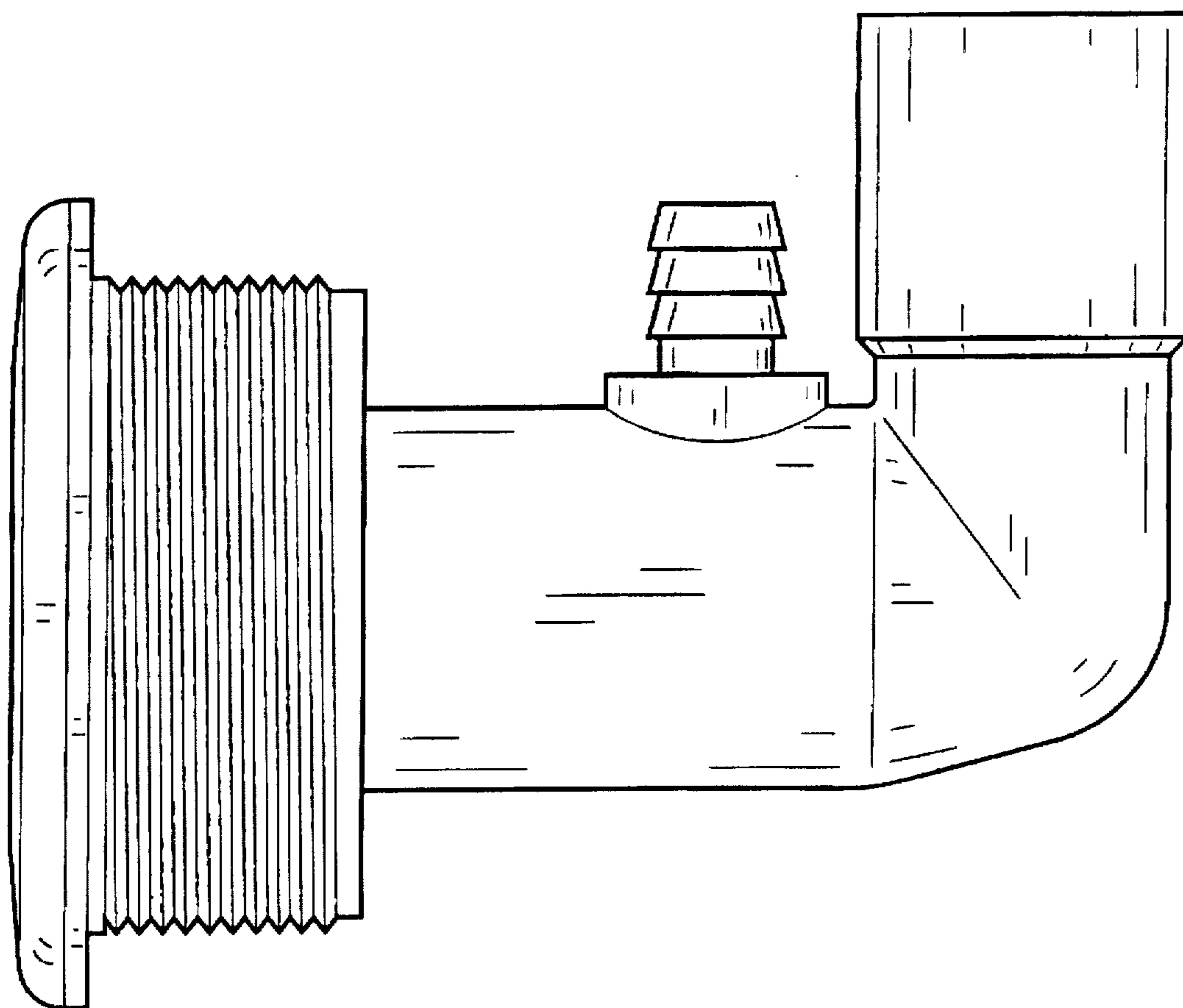


FIG. 1

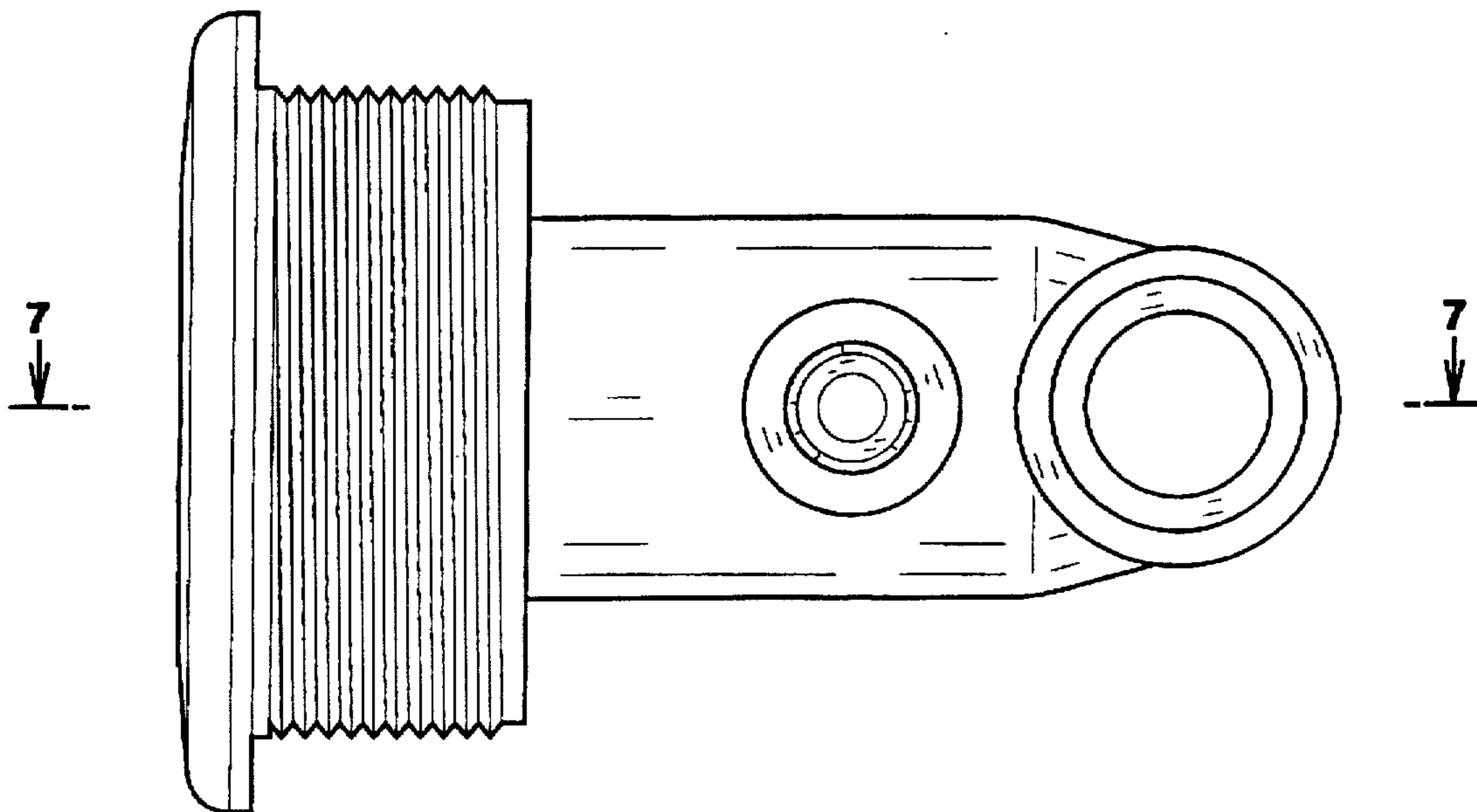


FIG. 2

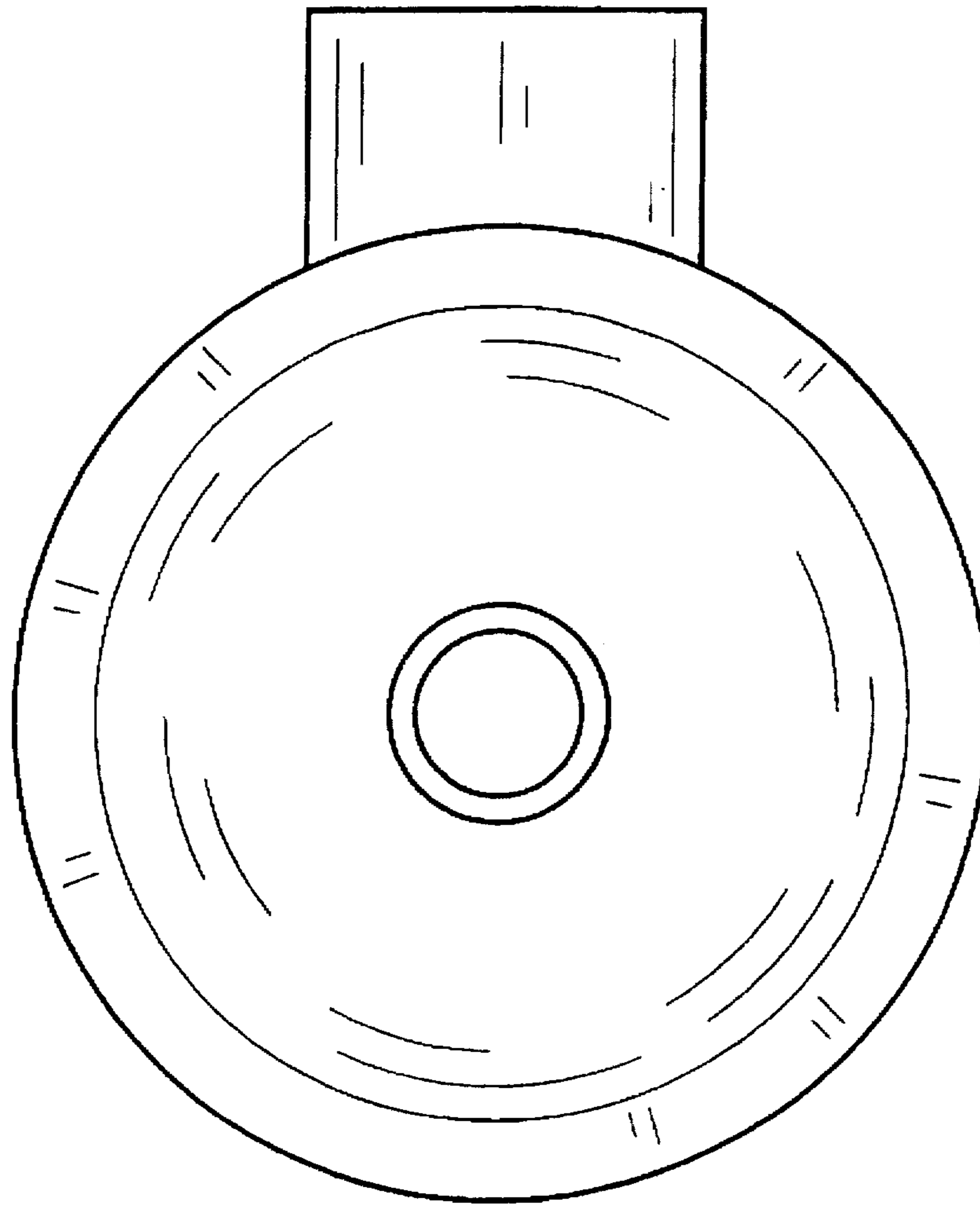


FIG. 3

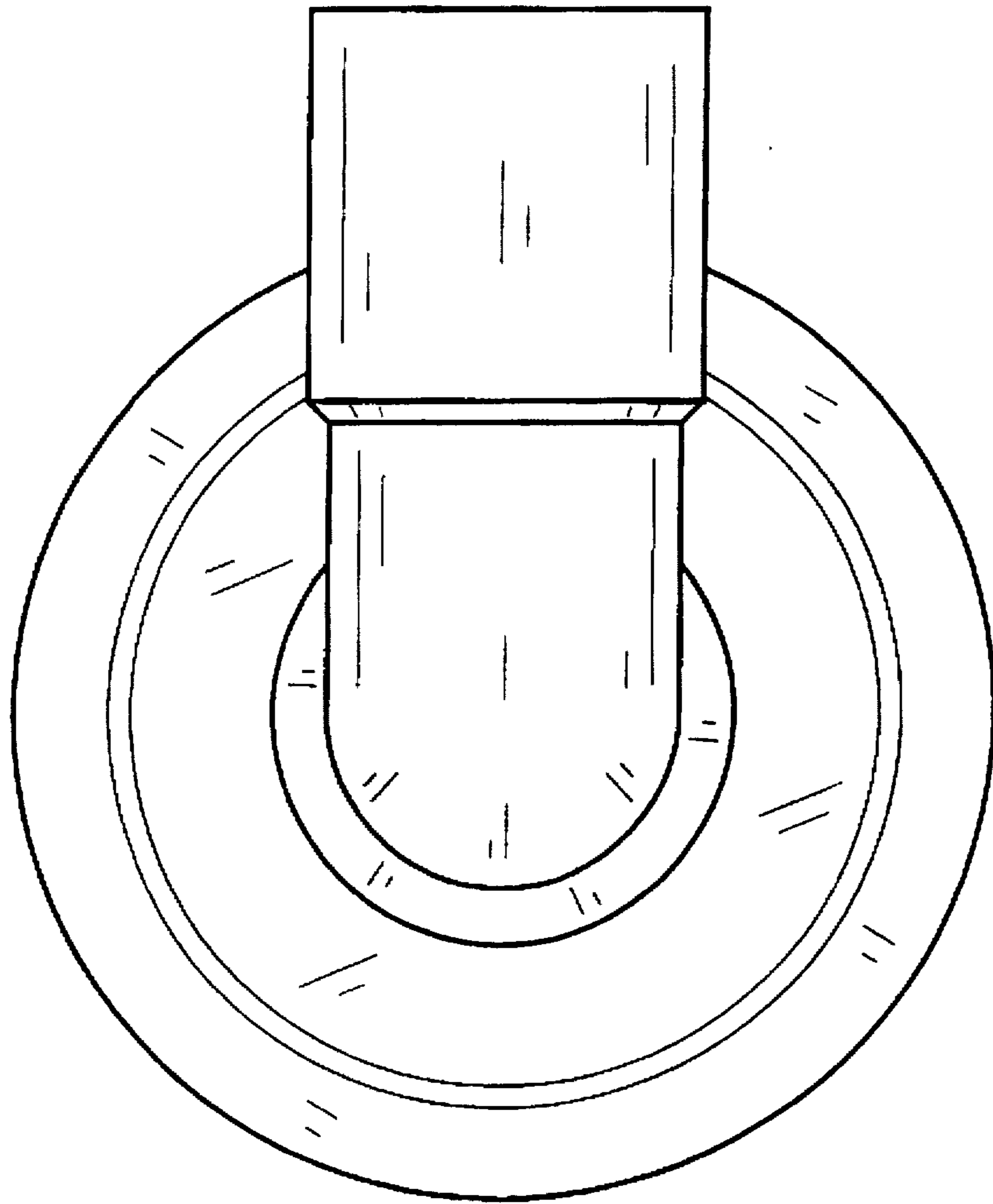


FIG. 4

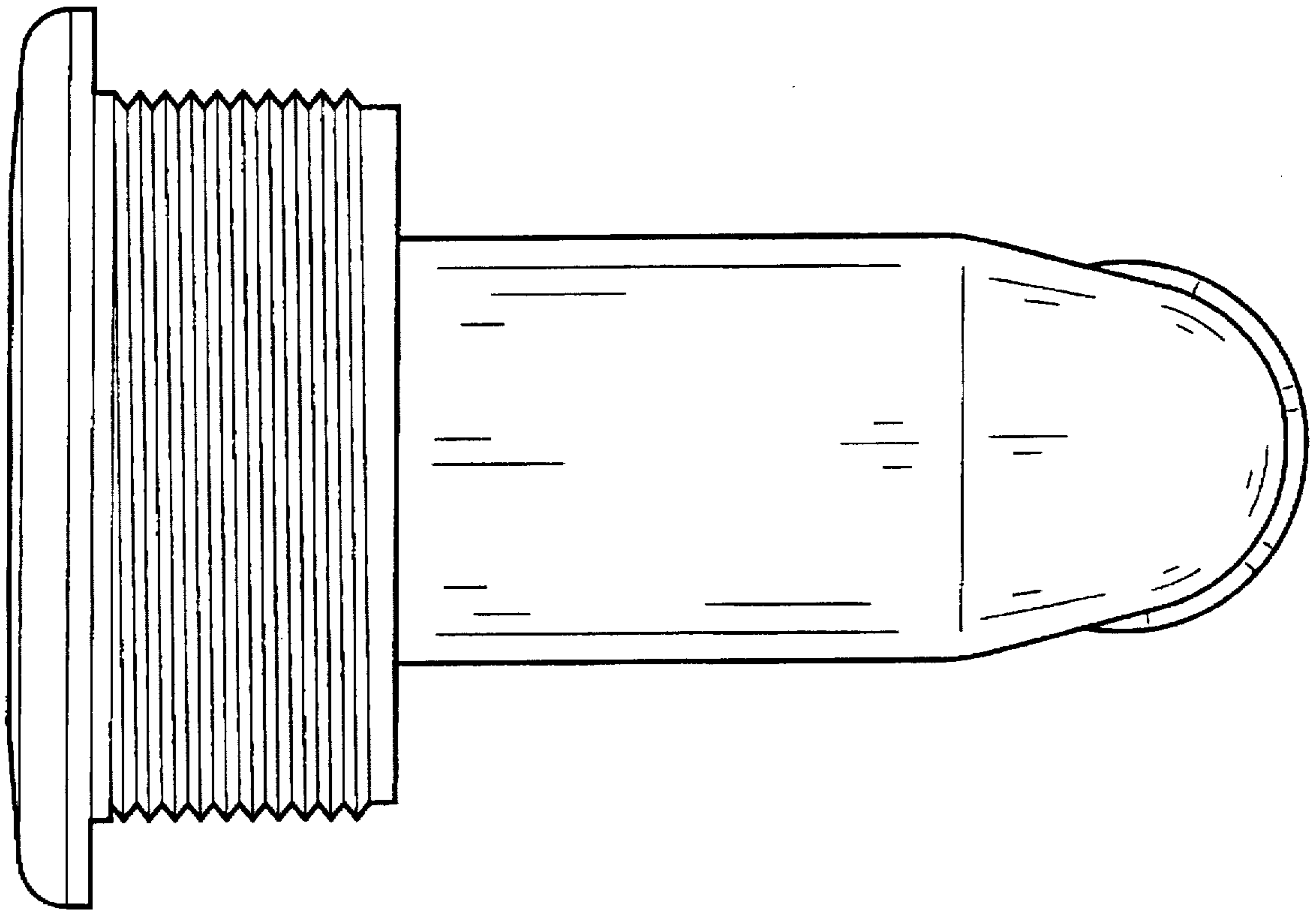


FIG. 5

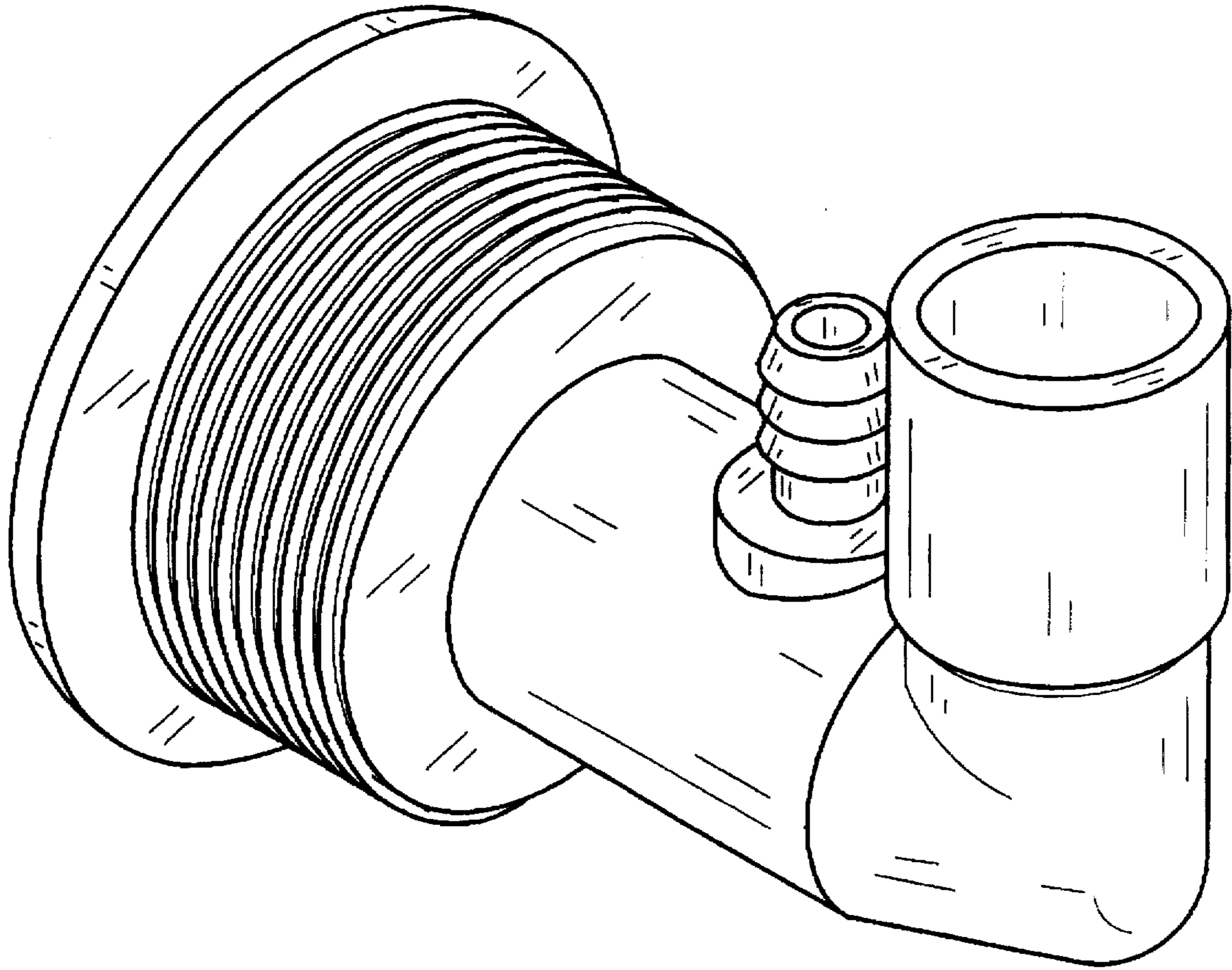


FIG. 6

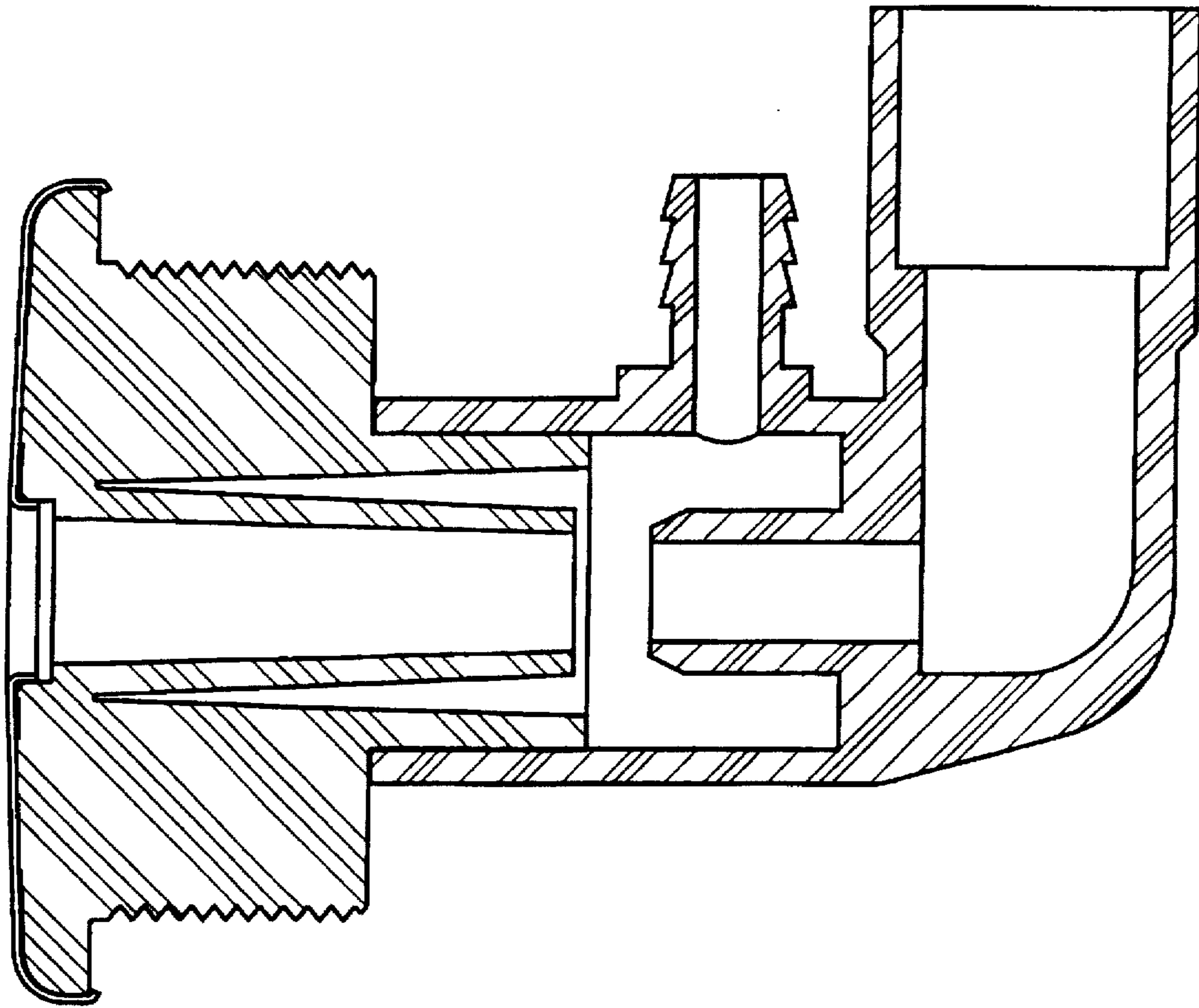


FIG. 7