



US00D389243S

United States Patent [19]

Miller et al.

[11] Patent Number: **Des. 389,243**

[45] Date of Patent: ****Jan. 13, 1998**

[54] **FILTER**

[75] Inventors: **Gregory R. Miller**, St. Louis; **Kyle Adriance**; **Stanley Philipak**, both of St. Charles, all of Mo.

[73] Assignee: **Nelcor Puritan Bennett Incorporated**, St. Charles, Mo.

[**] Term: **14 Years**

[21] Appl. No.: **48,059**

[22] Filed: **Dec. 19, 1995**

[51] LOC (6) Cl. **24-01**

[52] U.S. Cl. **D24/162**

[58] Field of Search **D24/162; 55/491, 55/501, 502, 521; 128/205.12, 205.29; 96/149, 219, 189, 133, 146, 179**

[56] **References Cited**

U.S. PATENT DOCUMENTS

- 533,854 2/1895 Loeb .
- 1,499,864 7/1924 Gordon .
- 1,573,656 2/1926 Terhune .
- 2,338,345 1/1944 Mather .
- 2,552,847 5/1951 Farr et al. .
- 4,277,443 7/1981 Van der Smissen et al. .
- 4,637,877 1/1987 Hartmann et al. .
- 4,881,313 11/1989 Artinyan et al. .
- 4,995,891 2/1991 Jaynes .
- 5,037,460 8/1991 Machado .

FOREIGN PATENT DOCUMENTS

- 433437 8/1926 Germany .
- 374460 2/1964 Switzerland .
- 365478 1/1932 United Kingdom .

Primary Examiner—Stella Reid
Attorney, Agent, or Firm—Paul M. Denk

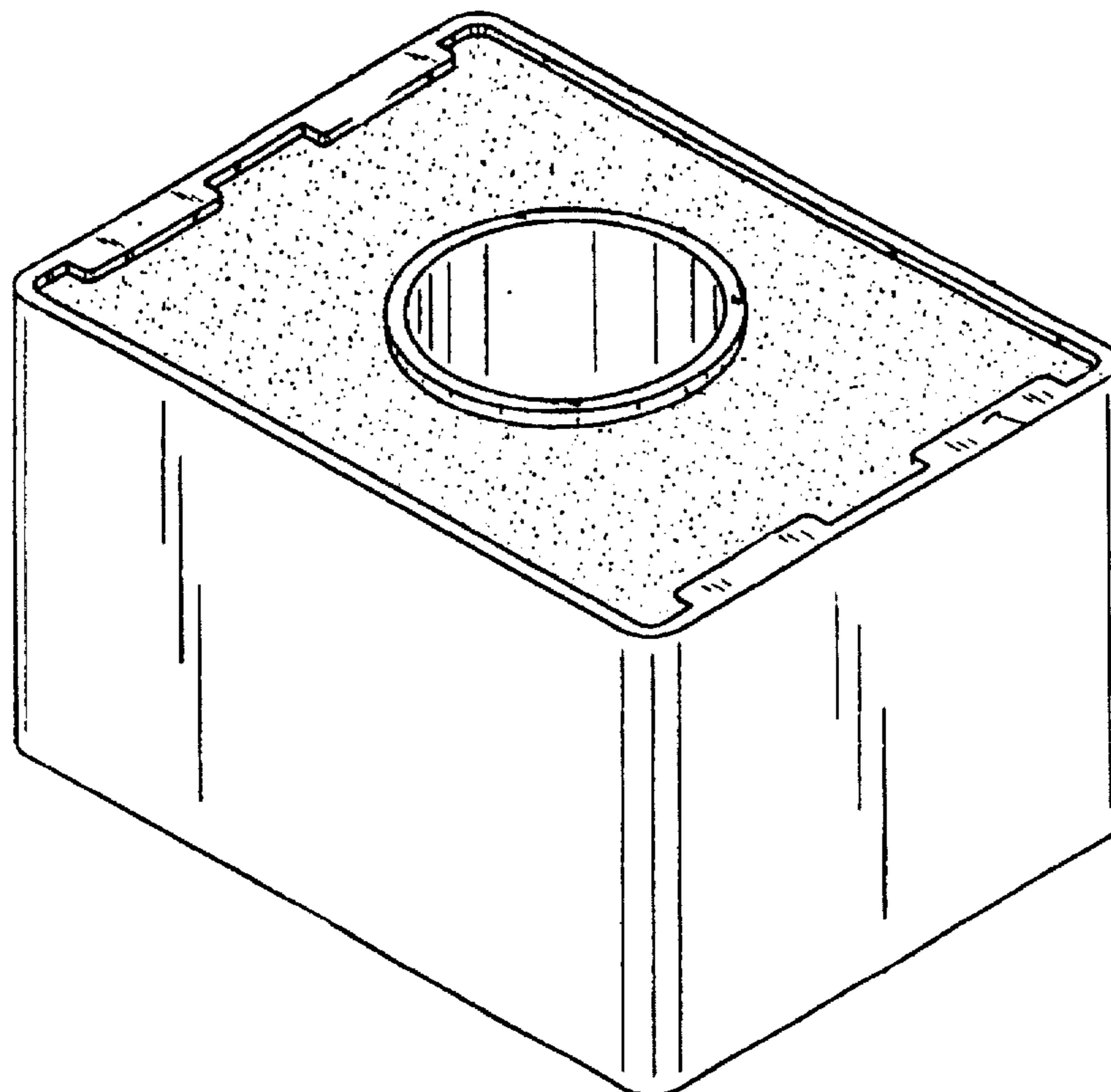
[57] **CLAIM**

The ornamental design for the filter, as shown and described.

DESCRIPTION

FIG. 1 is an isometric view of a filter, showing our new design;
 FIG. 2 is a bottom plan view thereof;
 FIG. 3 is a top plan view thereof;
 FIG. 4 is a right side view, the left side being a mirror image thereof;
 FIG. 5 is a front view, the rear view being a mirror image thereof;
 FIG. 6 is an exploded view of the filter showing the upper and lower filter elements removed from the filter housing;
 FIG. 7 is a bottom plan view with the bottom filter removed;
 FIG. 8 is a longitudinal cross-sectional view taken along line 8—8 of FIG. 2; and,
 FIG. 9 is a longitudinal cross-sectional view of a second embodiment of the filter taken along line 9—9 of FIG. 2, showing a pair of filter elements, with all other sides being identical to that shown in FIGS. 1—6.

1 Claim, 2 Drawing Sheets



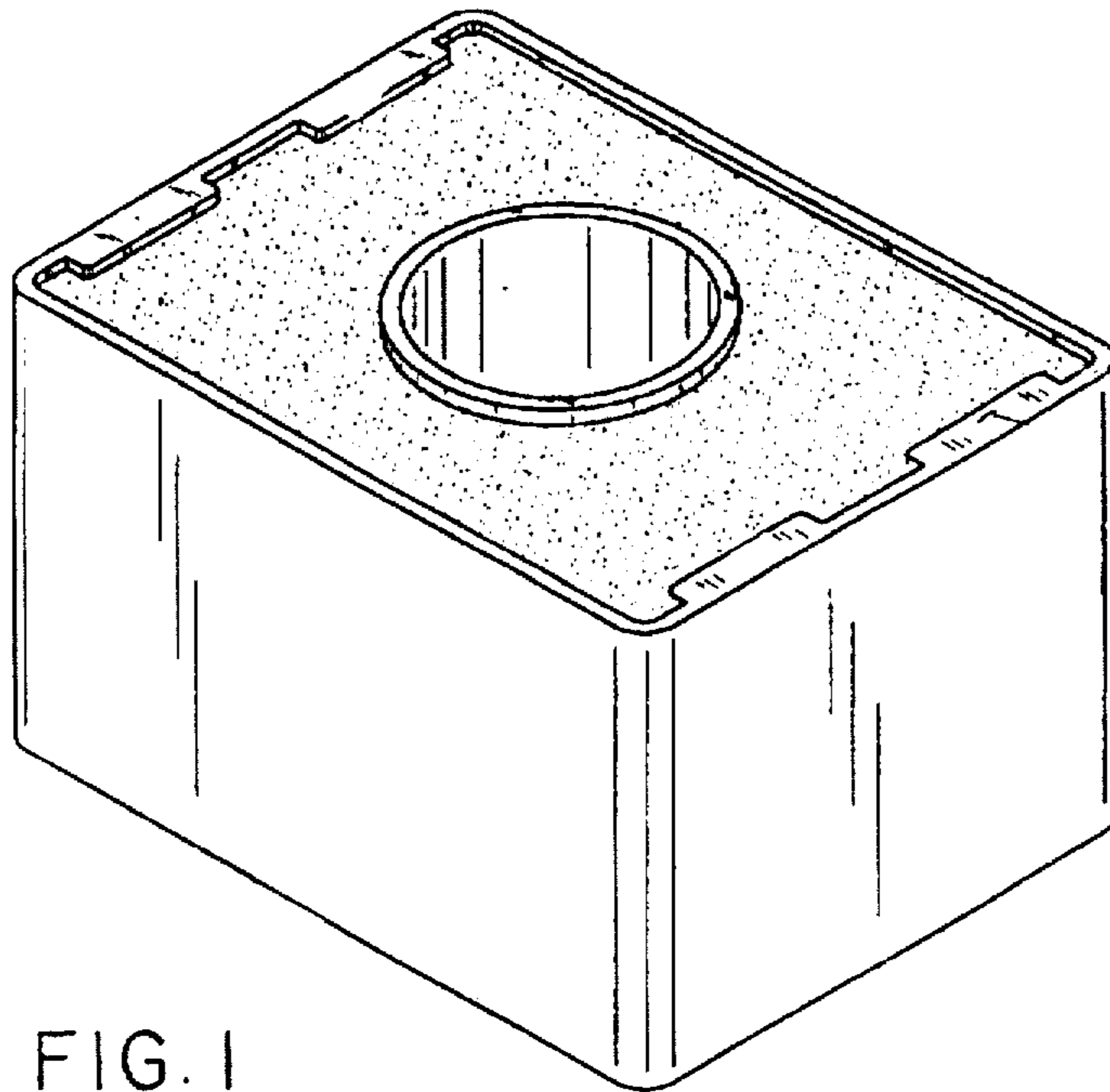


FIG. 1

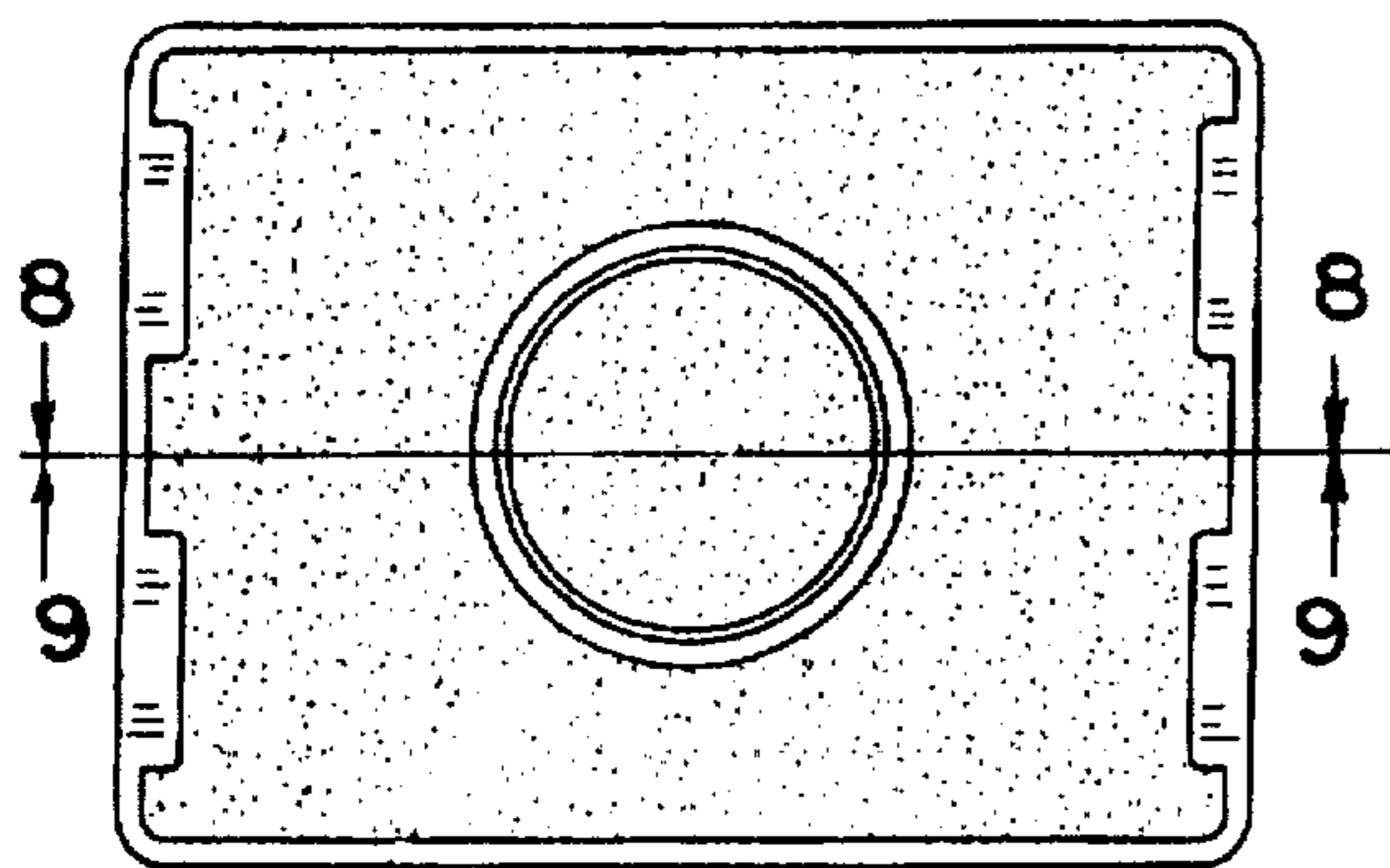


FIG. 2

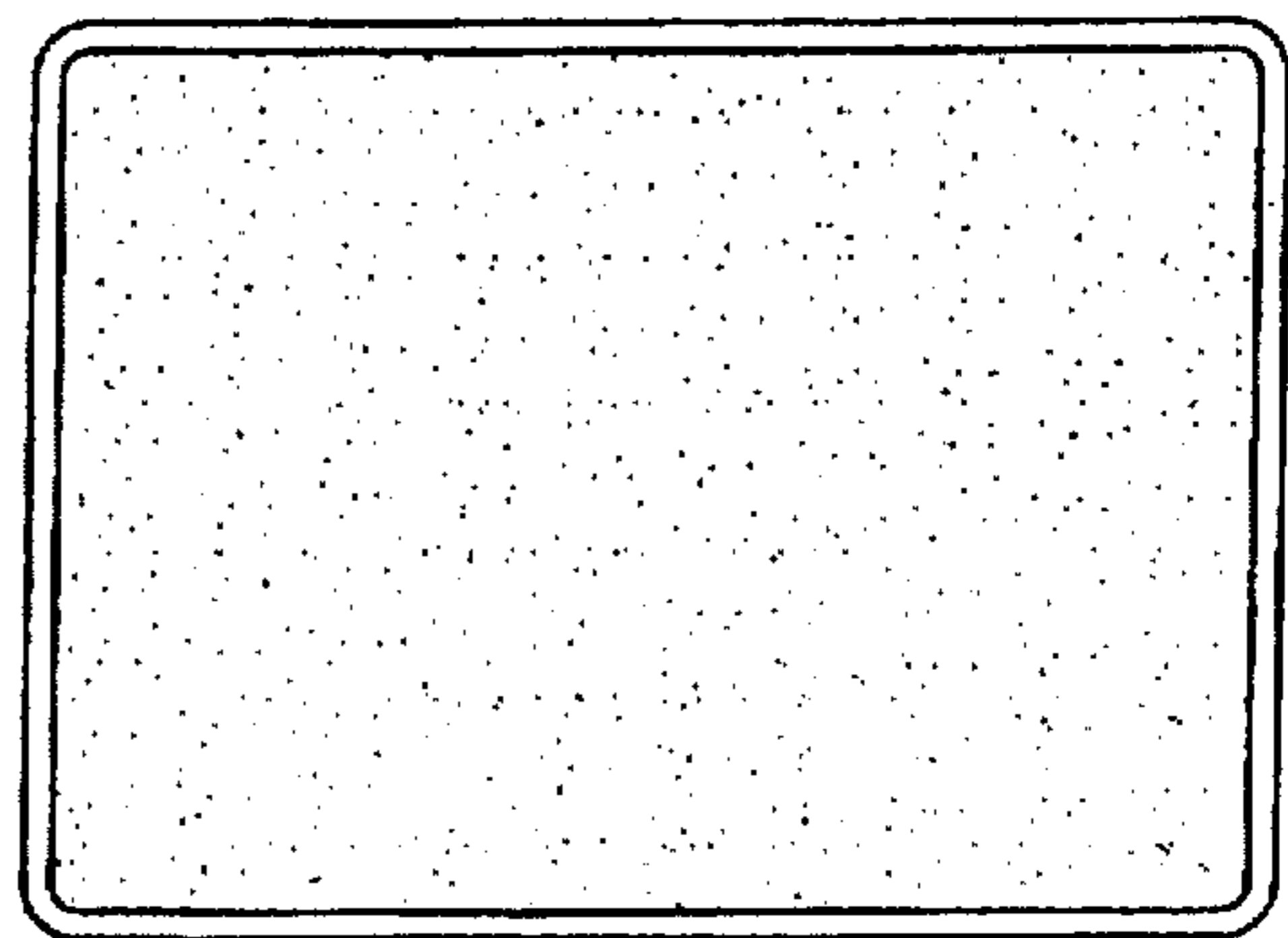


FIG. 3

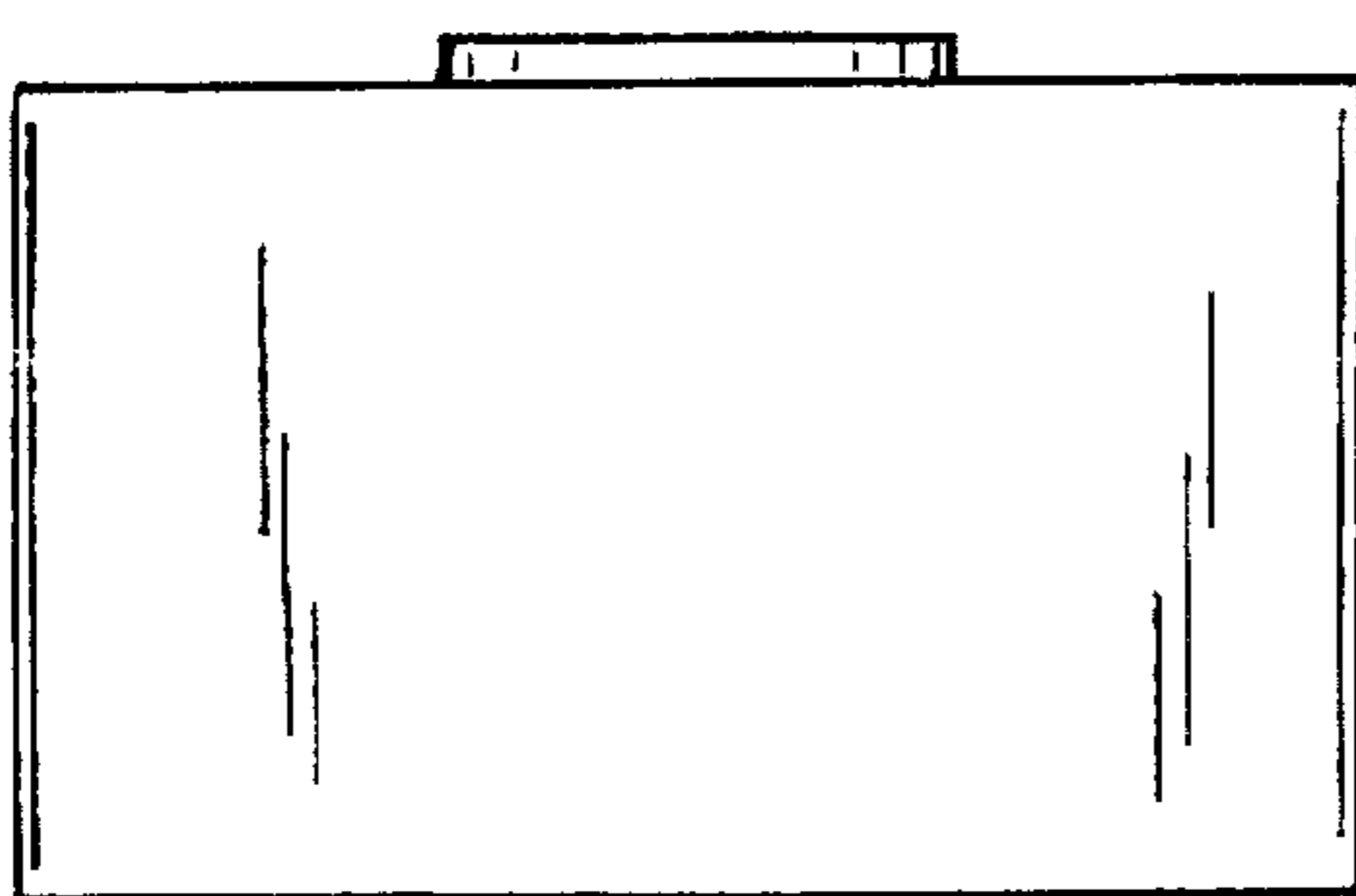


FIG. 4

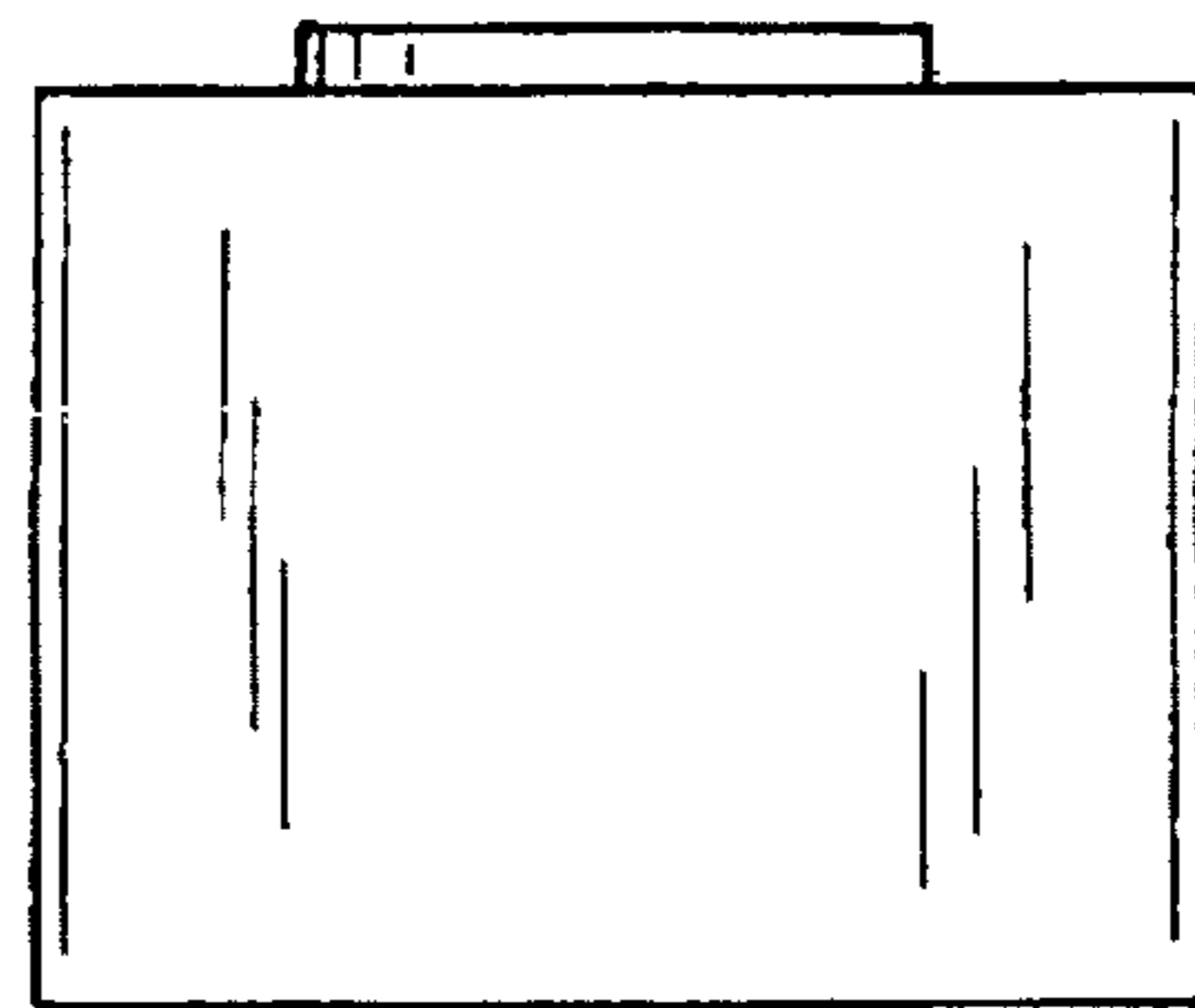


FIG. 5

