



US00D389242S

# United States Patent [19]

Bookwalter et al.

[11] Patent Number: Des. 389,242

[45] Date of Patent: \*\*Jan. 13, 1998

## [54] COMBINED LAPHROSCOPIC TOOL HOLDER AND POSITIONER

[75] Inventors: John R. Bookwalter, Brattleboro, Vt.; David T. Adler, Manhasset, N.Y.

[73] Assignee: Flexbar Machine Corp., Islandia, N.Y.

[\*\*] Term: 14 Years

[21] Appl. No.: 55,050

[22] Filed: May 30, 1996

### Related U.S. Application Data

[63] Continuation of Ser. No. 31,598, Nov. 29, 1994, abandoned, which is a continuation of Ser. No. 930,910, Aug. 17, 1992, abandoned.

[51] LOC (6) Cl. .... 24-01

[52] U.S. Cl. .... D24/138

[58] Field of Search ..... D24/140, 138, D24/127, 128, 133; 248/160, 276, 288.5, 288.3, 230, 230.4; 403/55, 56; 128/20

### [56] References Cited

#### U.S. PATENT DOCUMENTS

D. 235,107 5/1975 Alder ..... D24/133  
D. 293,470 12/1987 Alder ..... D24/140

3,584,822 6/1971 Oram ..... 248/160  
4,867,404 9/1989 Harrington et al. .... 248/276 YN  
4,949,927 8/1990 Madocks et al. .... 248/160 YN  
5,284,130 2/1994 Ratliff ..... 248/160 YN

### OTHER PUBLICATIONS

The Codman Catalog "Surgical Products Catalog Retractor", pp. G-75 G-74 ©1992.

Primary Examiner—Louis S. Zarfes  
Assistant Examiner—Frank Martinez  
Attorney, Agent, or Firm—Charles I. Brodsky

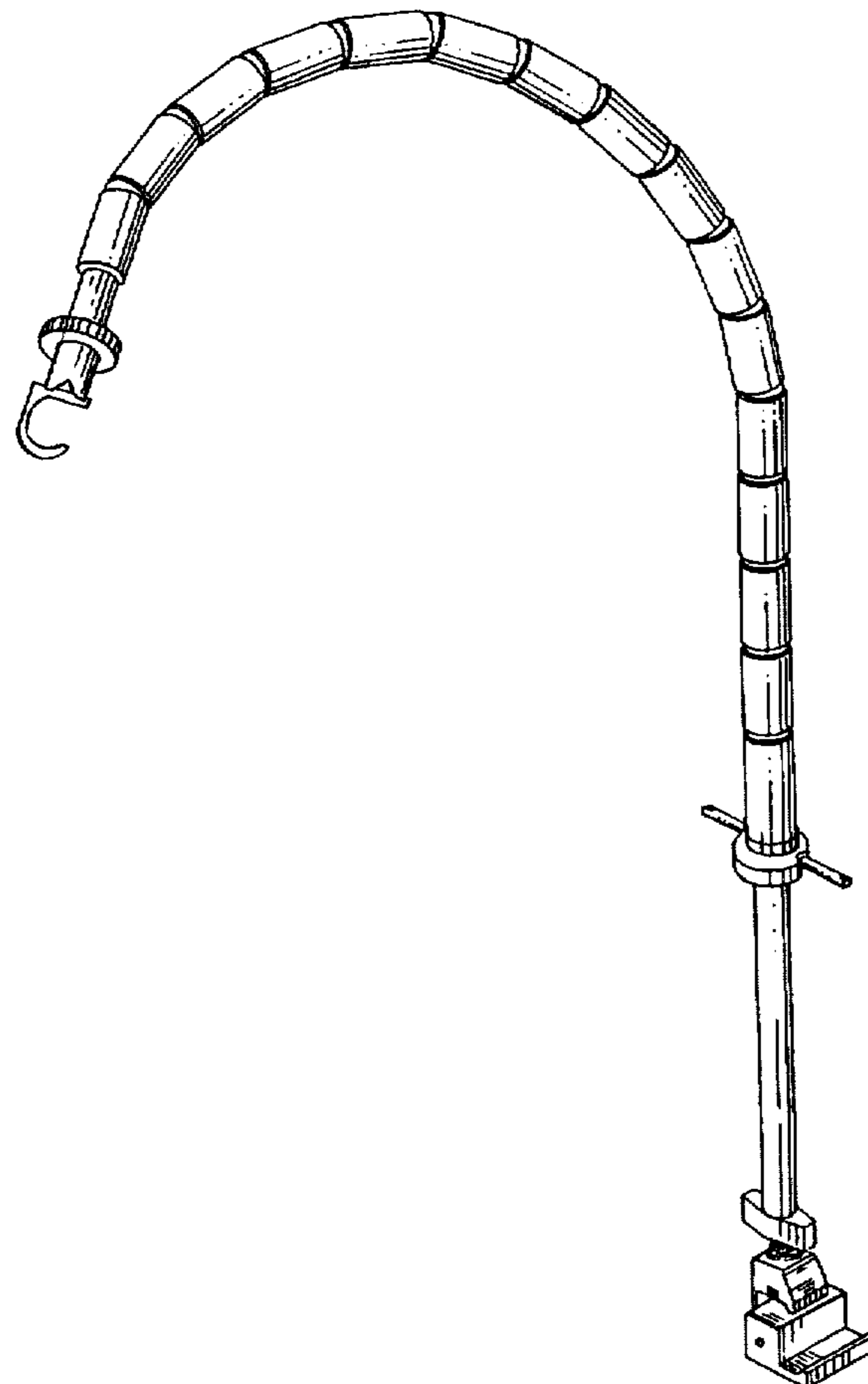
### [57] CLAIM

The ornamental design for a combined laparoscopic tool holder and positioner, as shown and described.

### DESCRIPTION

FIG. 1 is a left-front perspective view of a combined laparoscopic tool holder and positioner showing our new design, a right-front perspective view being a mirror image; FIG. 2 is a front elevational view thereof; FIG. 3 is a rear elevational view; FIG. 4 is a left side elevational view; FIG. 5 is a right side elevational view; FIG. 6 is a top plan view; and, FIG. 7 is a bottom plan view.

1 Claim, 5 Drawing Sheets



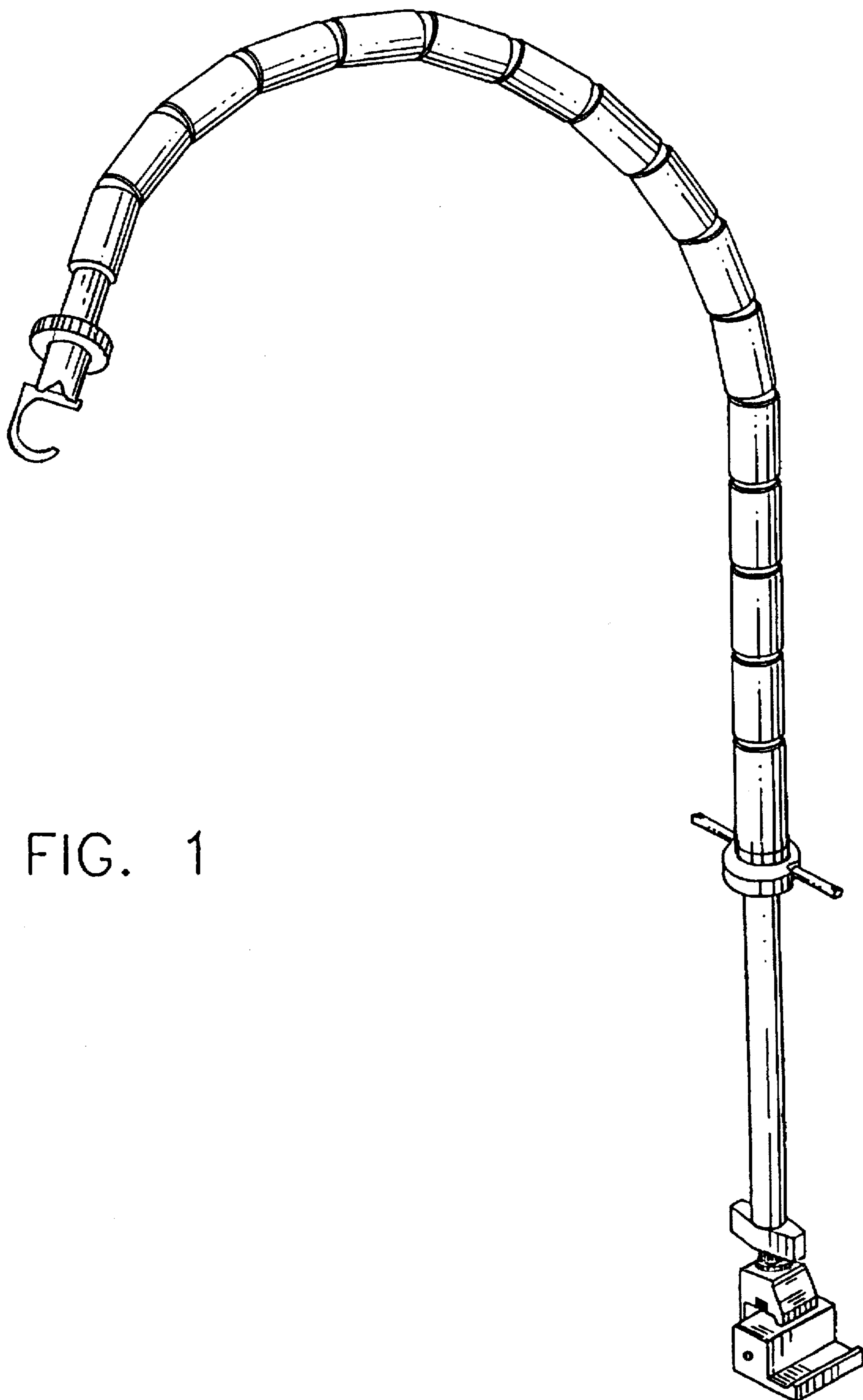


FIG. 1

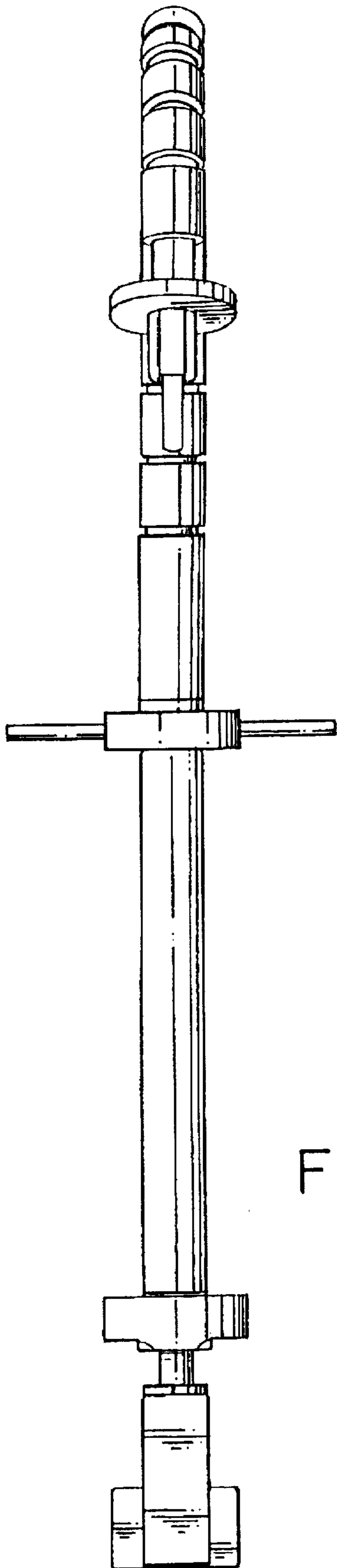


FIG. 2

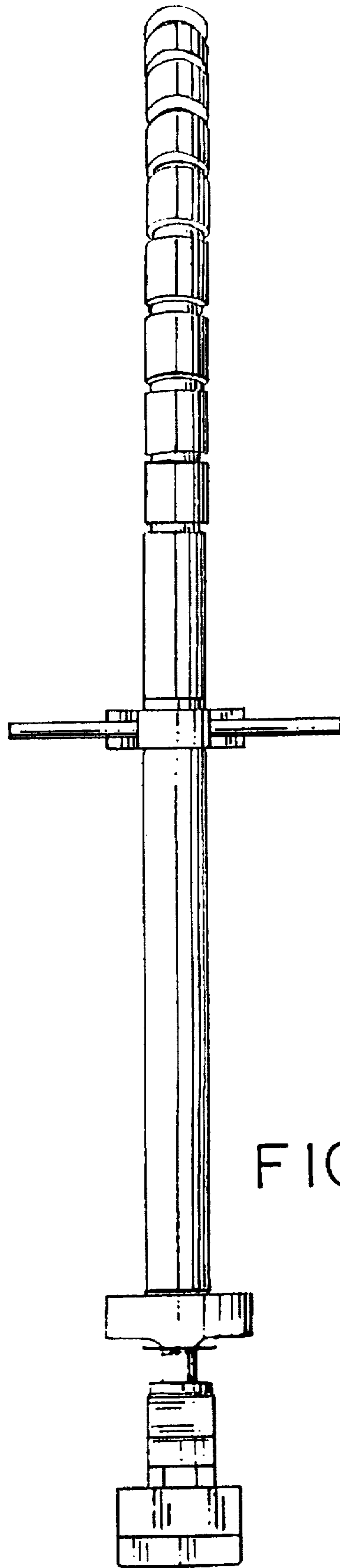


FIG. 3

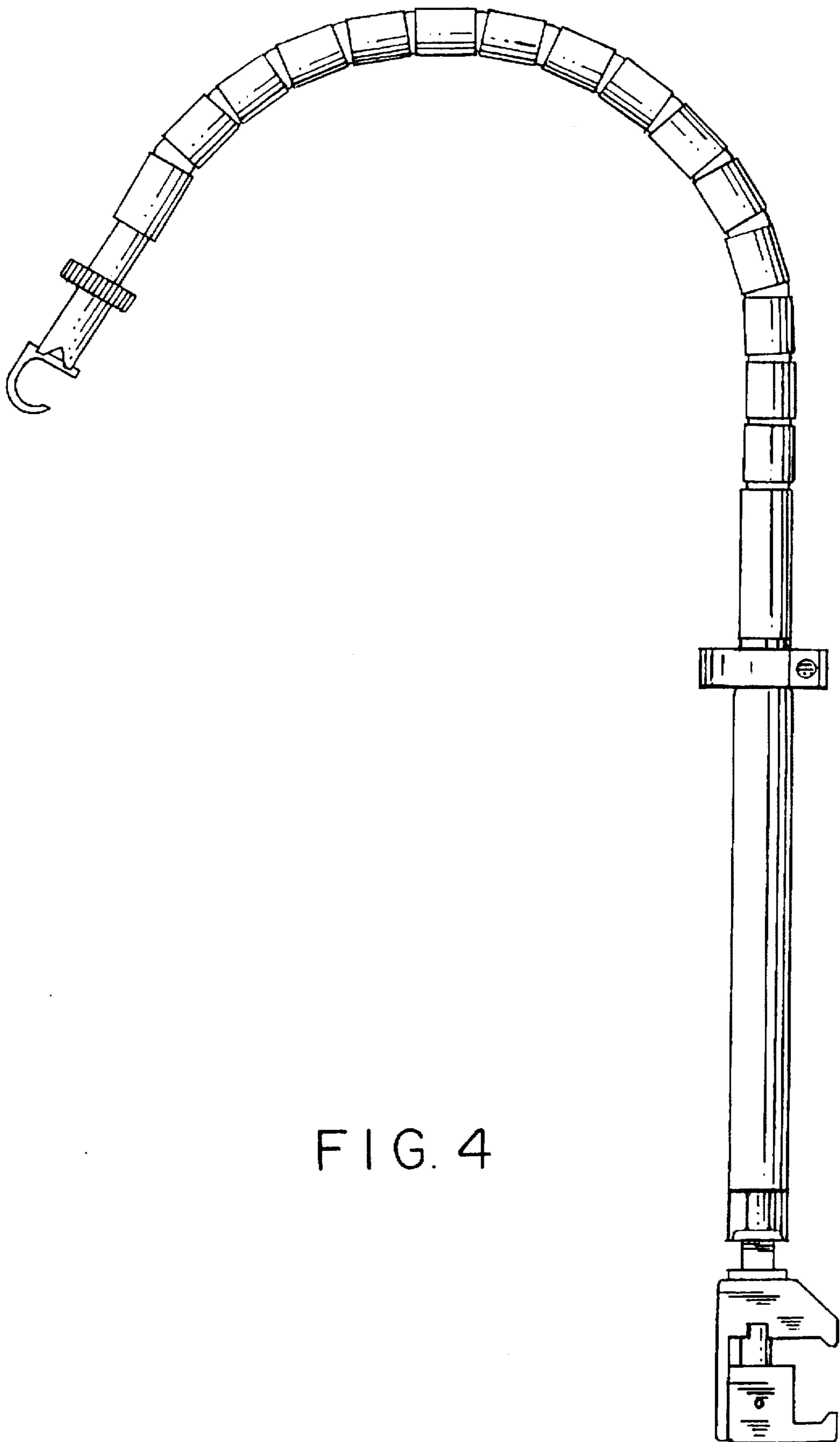


FIG. 4

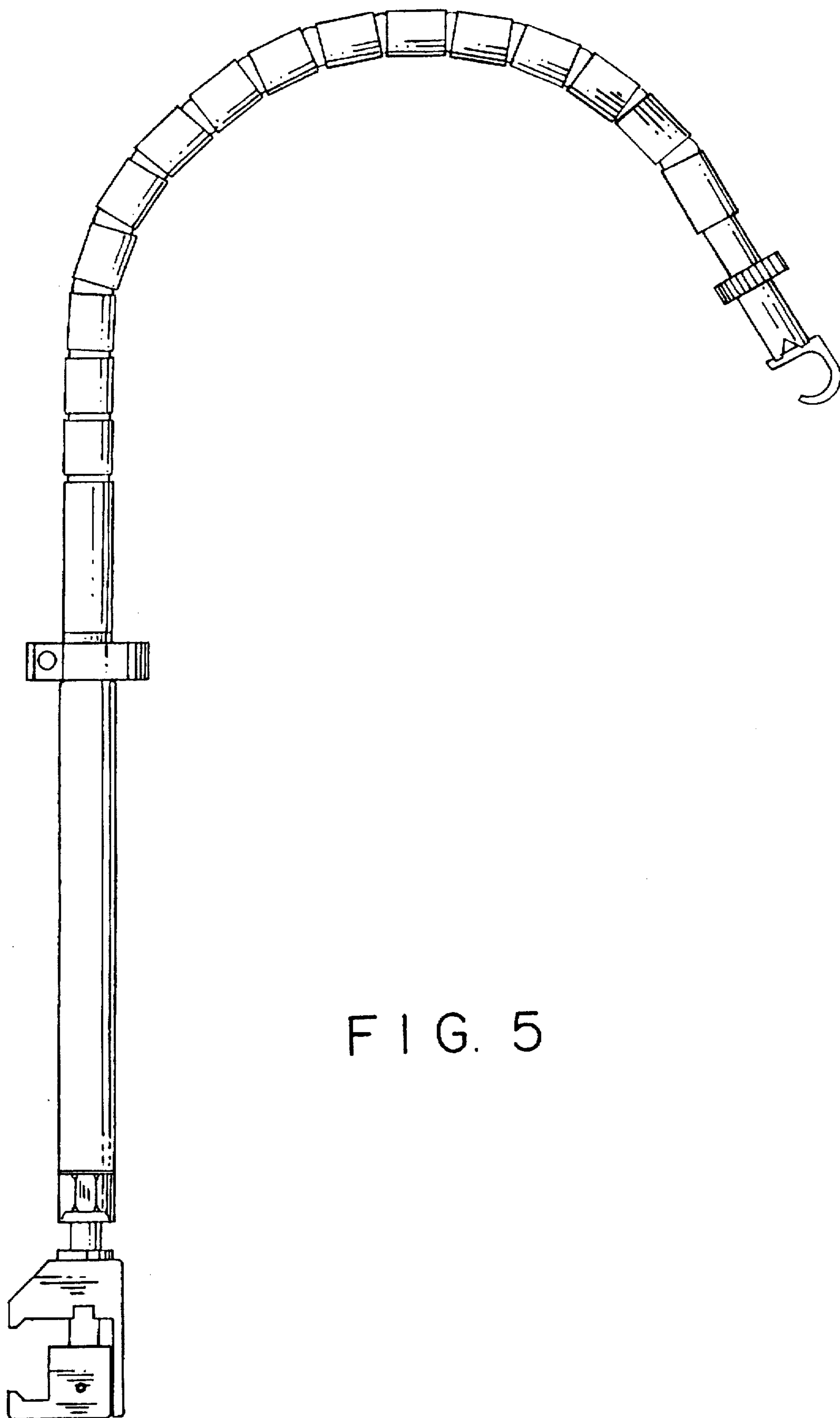


FIG. 5

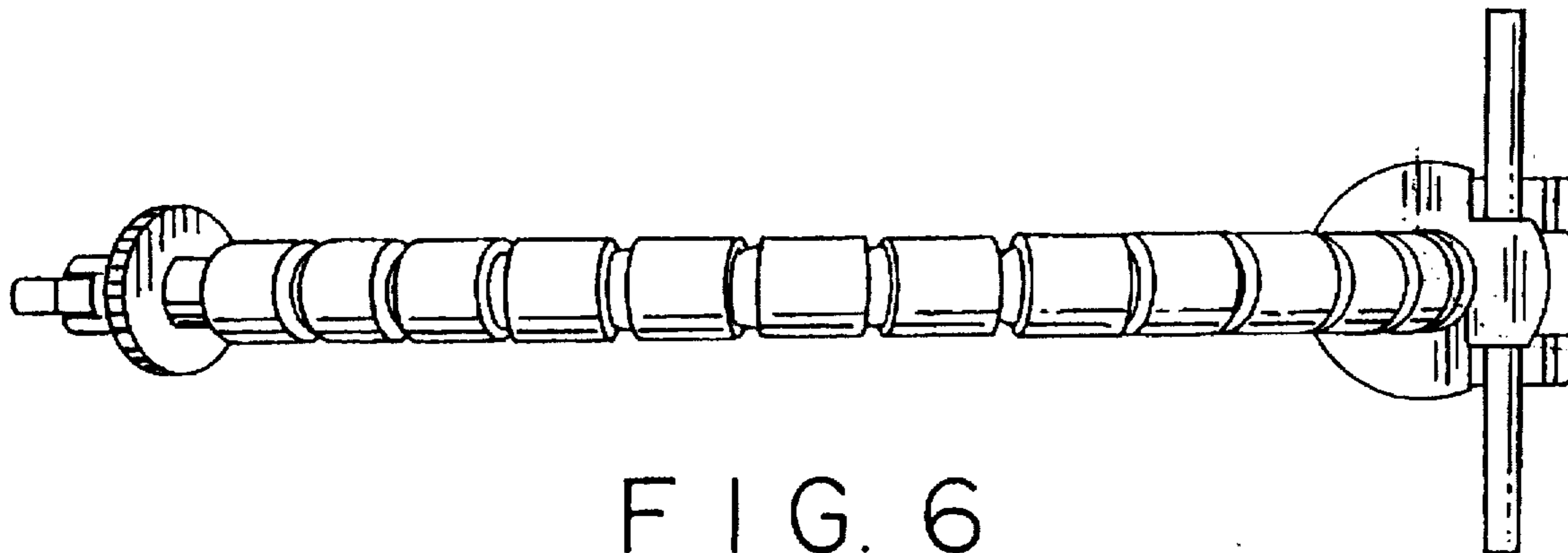


FIG. 6

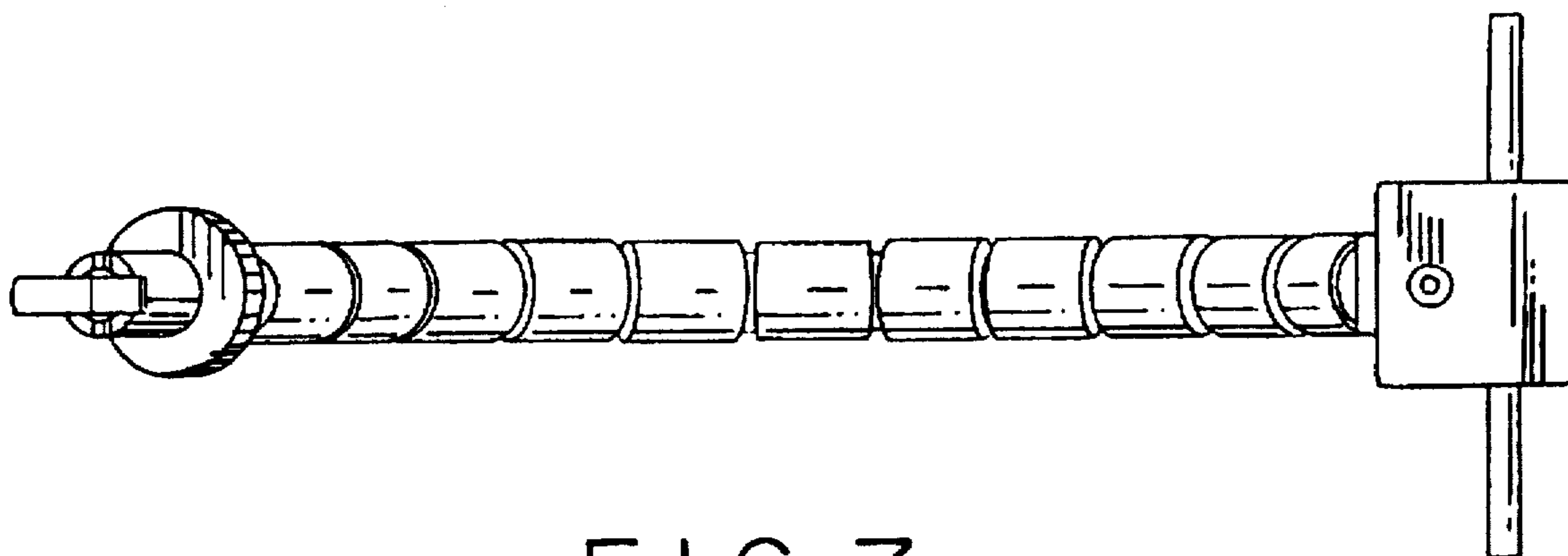


FIG. 7