



US00D389238S

United States Patent [19]

Kirk, III et al.

[11] Patent Number: Des. 389,238

[45] Date of Patent: **Jan. 13, 1998

[54] INHALER MASK

[75] Inventors: **Karl Dallas Kirk, III; James T. Collins, III**, both of New York, N.Y.;
Jose L. Correa, North Bergen, N.J.

[73] Assignee: **Healthscan Products, Inc.**, Cedar Grove, N.J.

[**] Term: 14 Years

[21] Appl. No.: 65,363

[22] Filed: Jan. 24, 1997

[51] LOC (6) Cl. 29-02

[52] U.S. Cl. D24/110.4

[58] Field of Search D24/110.4, 110.1;
128/206.21, 206.24, 206.28, 207.12, 205.25

[56] References Cited

U.S. PATENT DOCUMENTS

D. 239,469	4/1976	Halldin et al.	D24/110.4
D. 323,908	2/1992	Hollister et al.	D24/110.4
D. 362,061	9/1995	McGinnis et al.	D24/110.4
3,982,532	9/1976	Halldin et al.	128/206.24
4,799,477	1/1989	Lewis	128/206.21 X
5,540,223	7/1996	Starr et al.	128/205.25

Primary Examiner—Stella Reid
Attorney, Agent, or Firm—Schweitzer Cornman Gross & Bondell LLP

[57] CLAIM

The ornamental design for an inhaler mask, as shown and described.

DESCRIPTION

FIG. 1 is a left front perspective view of a first embodiment of our design;
 FIG. 2 is a top plan view thereof;
 FIG. 3 is a front elevation view thereof;
 FIG. 4 is a right side elevation view thereof, the left side elevation view being a mirror image thereof;
 FIG. 5 is a bottom plan view thereof;
 FIG. 6 is a rear elevation view thereof; and
 FIG. 7 is a sectional view thereof, taken along line 7—7 of FIG. 3;
 FIG. 8 is a front left side perspective view of a second embodiment of our design;
 FIG. 9 is a top plan view thereof;
 FIG. 10 is a front elevation view thereof;
 FIG. 11 is a right side elevation view thereof, the left side elevation view being a mirror image thereof;
 FIG. 12 is a bottom plan view thereof;
 FIG. 13 is a rear elevation view thereof; and
 FIG. 14 is a section elevation view, taken along line 14—14 in FIG. 10;
 FIG. 15 is a front perspective view of a third embodiment of our design;
 FIG. 16 is a top plan view thereof;
 FIG. 17 is a front elevation view thereof;
 FIG. 18 is a right side elevation view thereof, the left side elevation view being a mirror image thereof;
 FIG. 19 is a bottom plan view thereof;
 FIG. 20 is a rear elevation view thereof; and
 FIG. 21 is a section elevation view, taken along line 21—21 of FIG. 17.

1 Claim, 9 Drawing Sheets

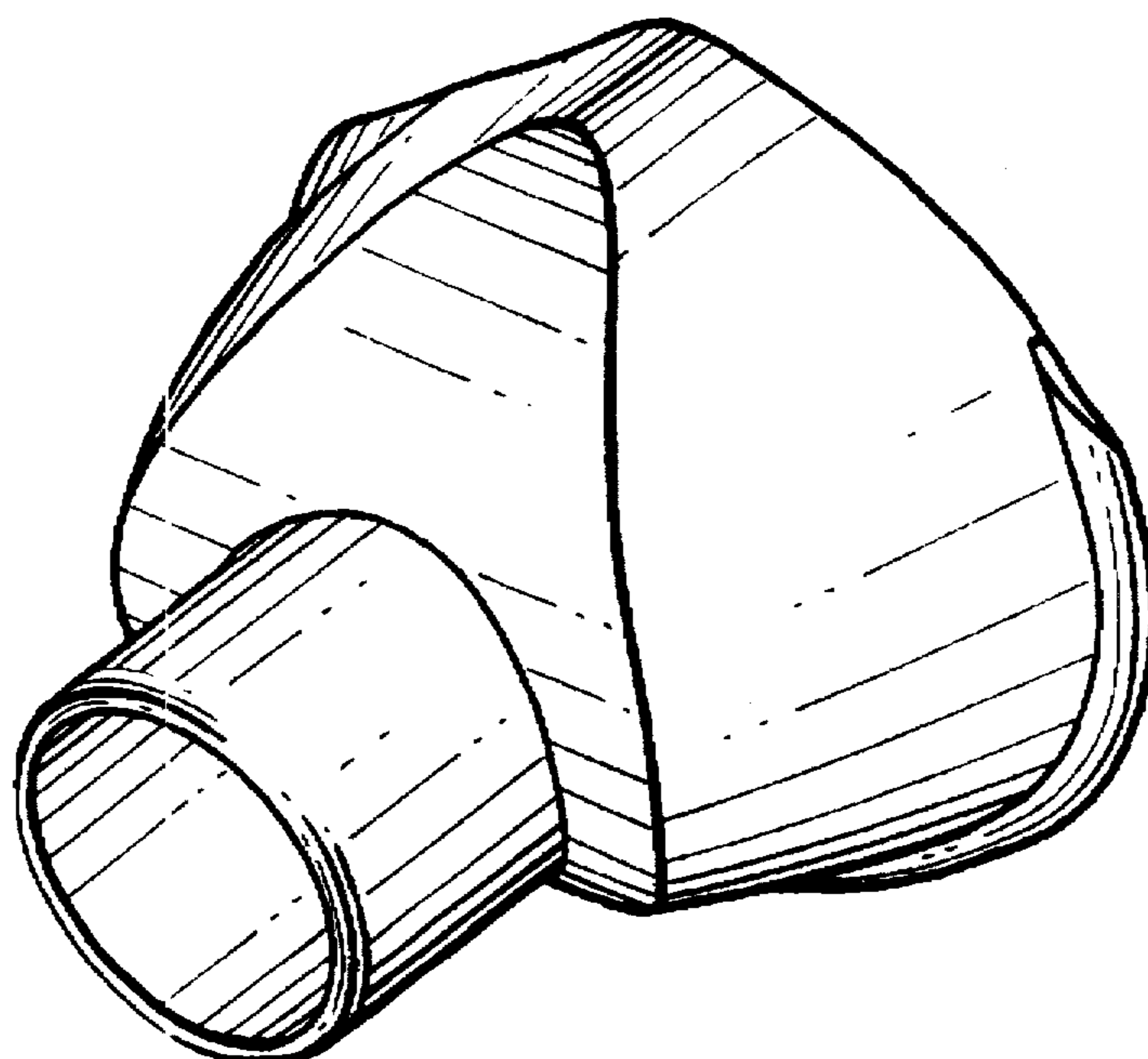


FIG. 1

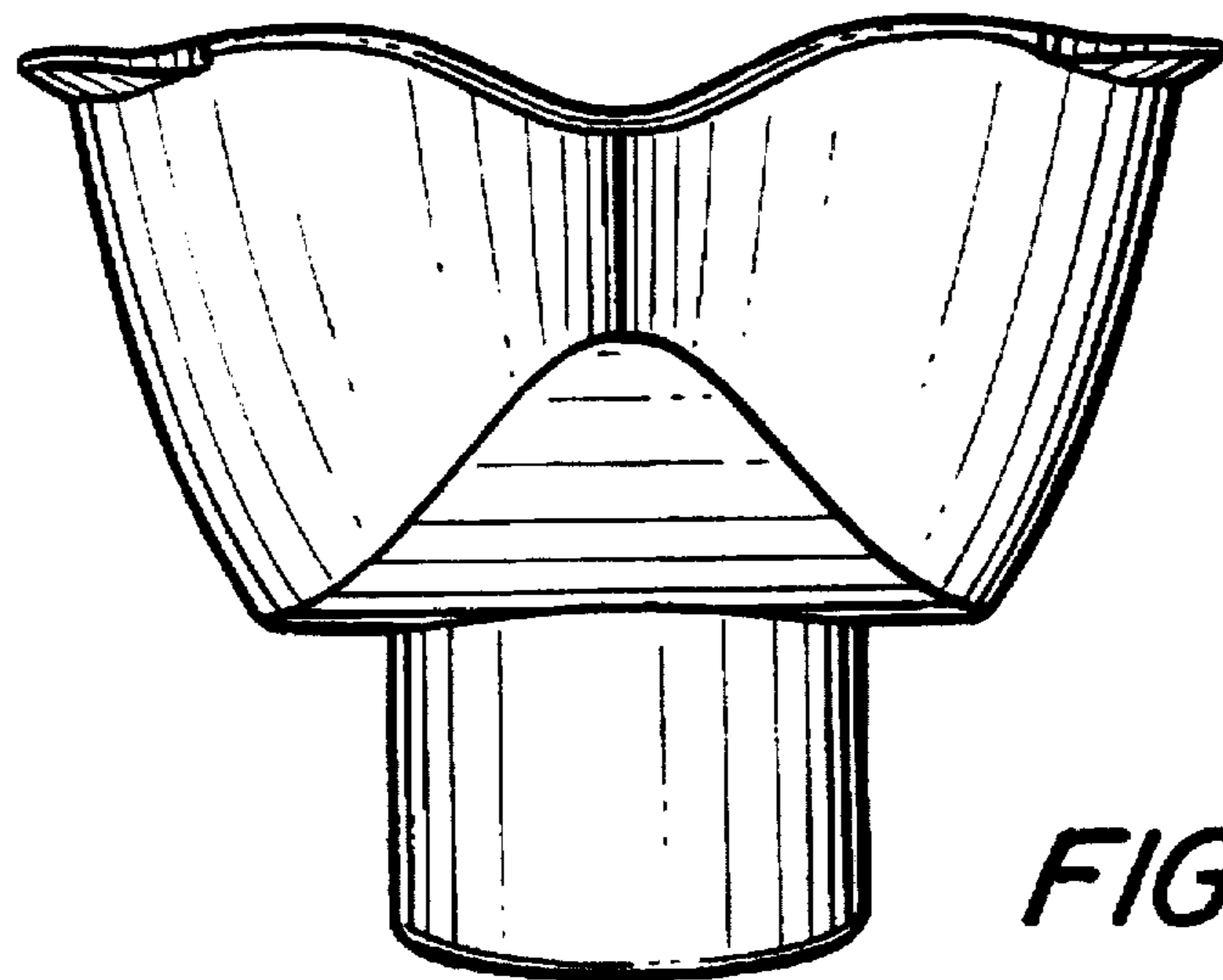
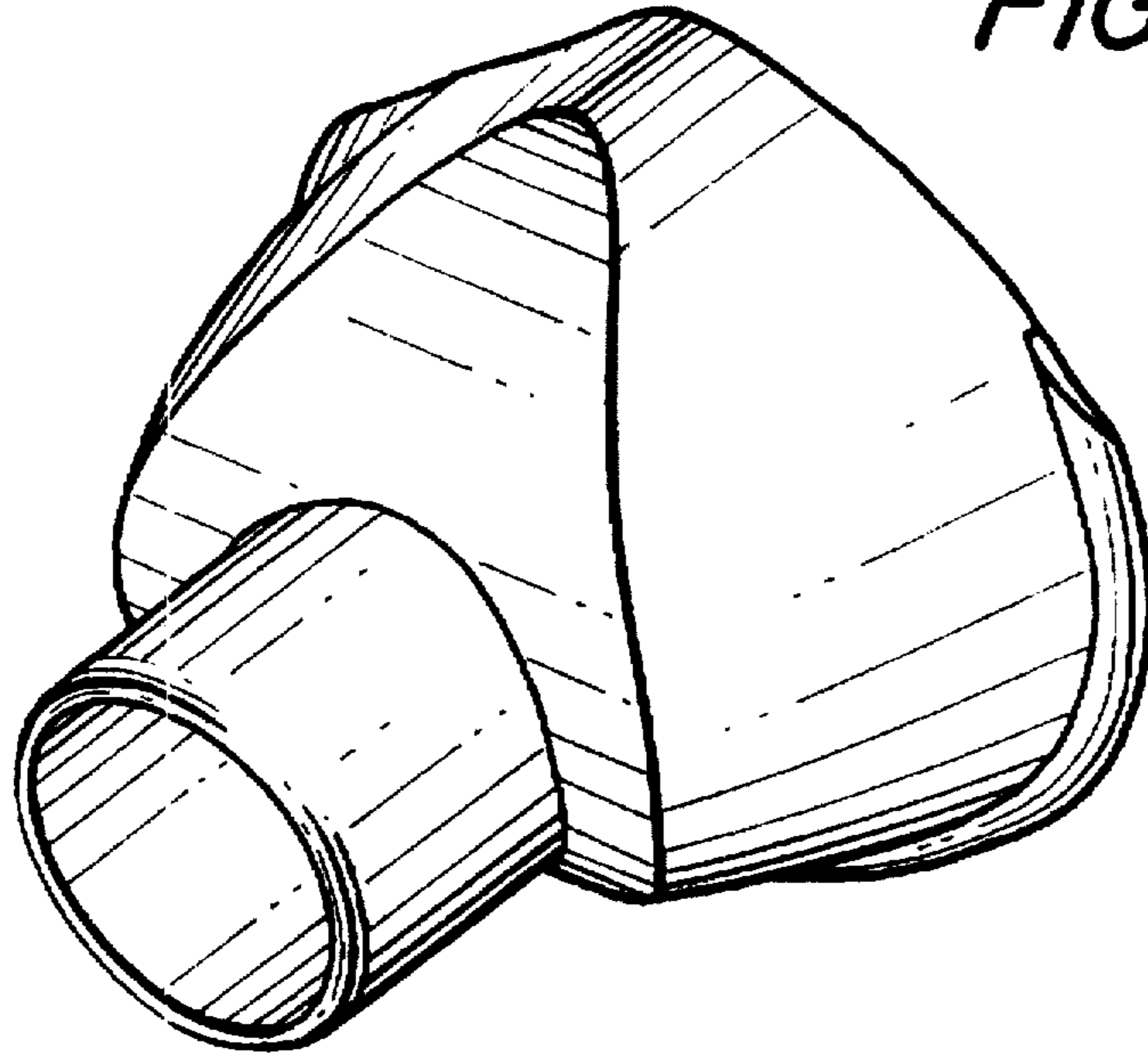


FIG. 2

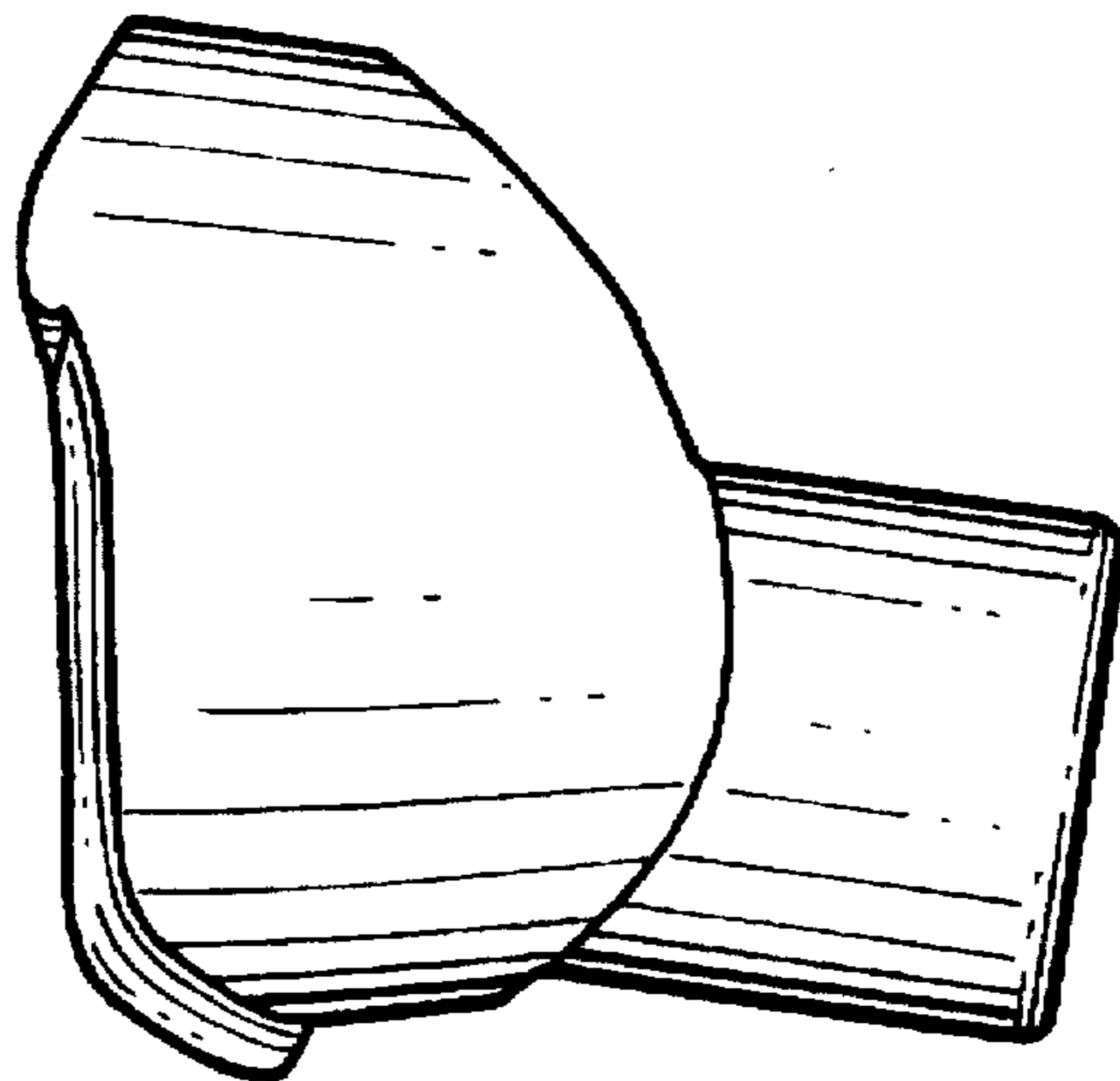
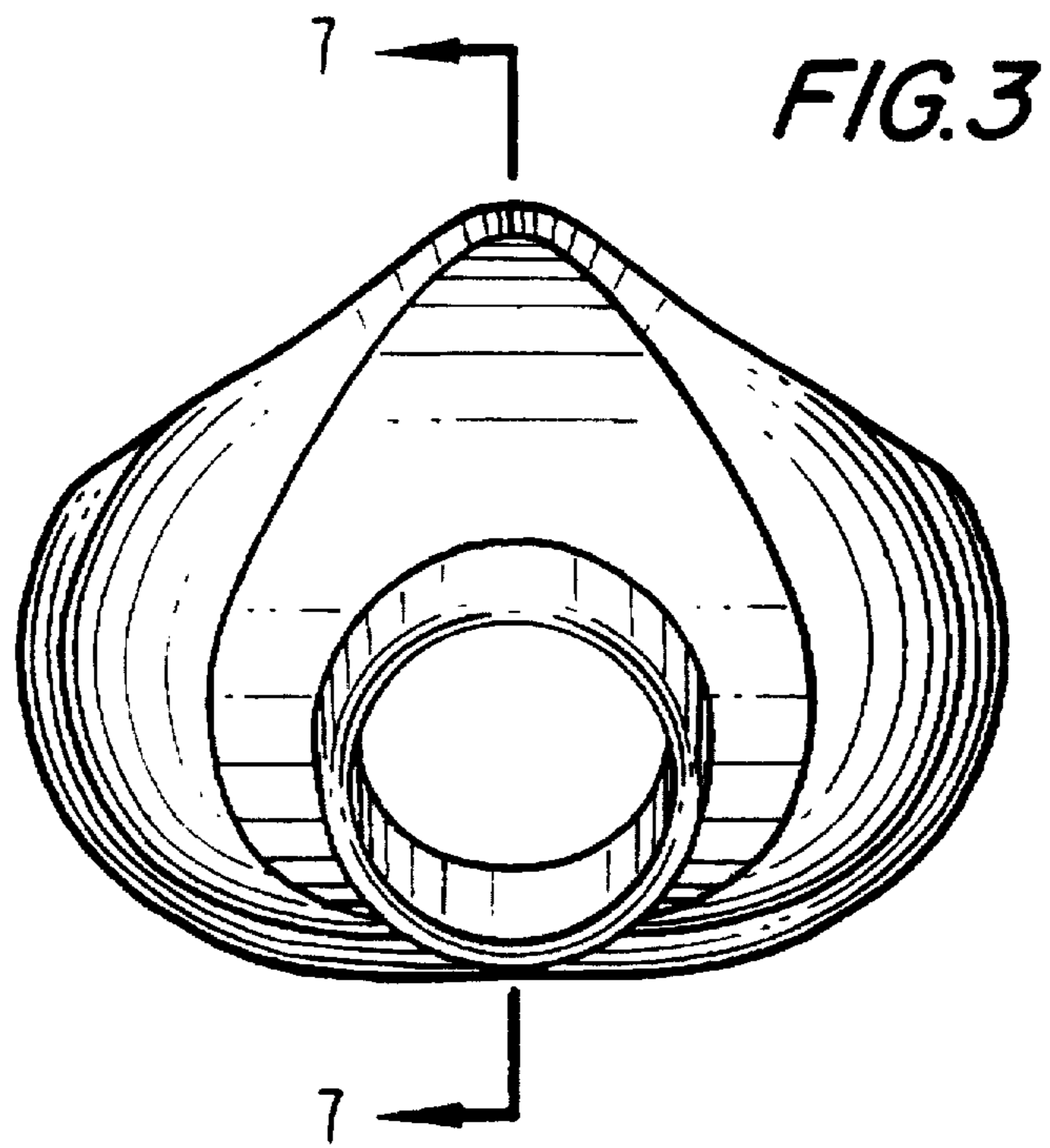
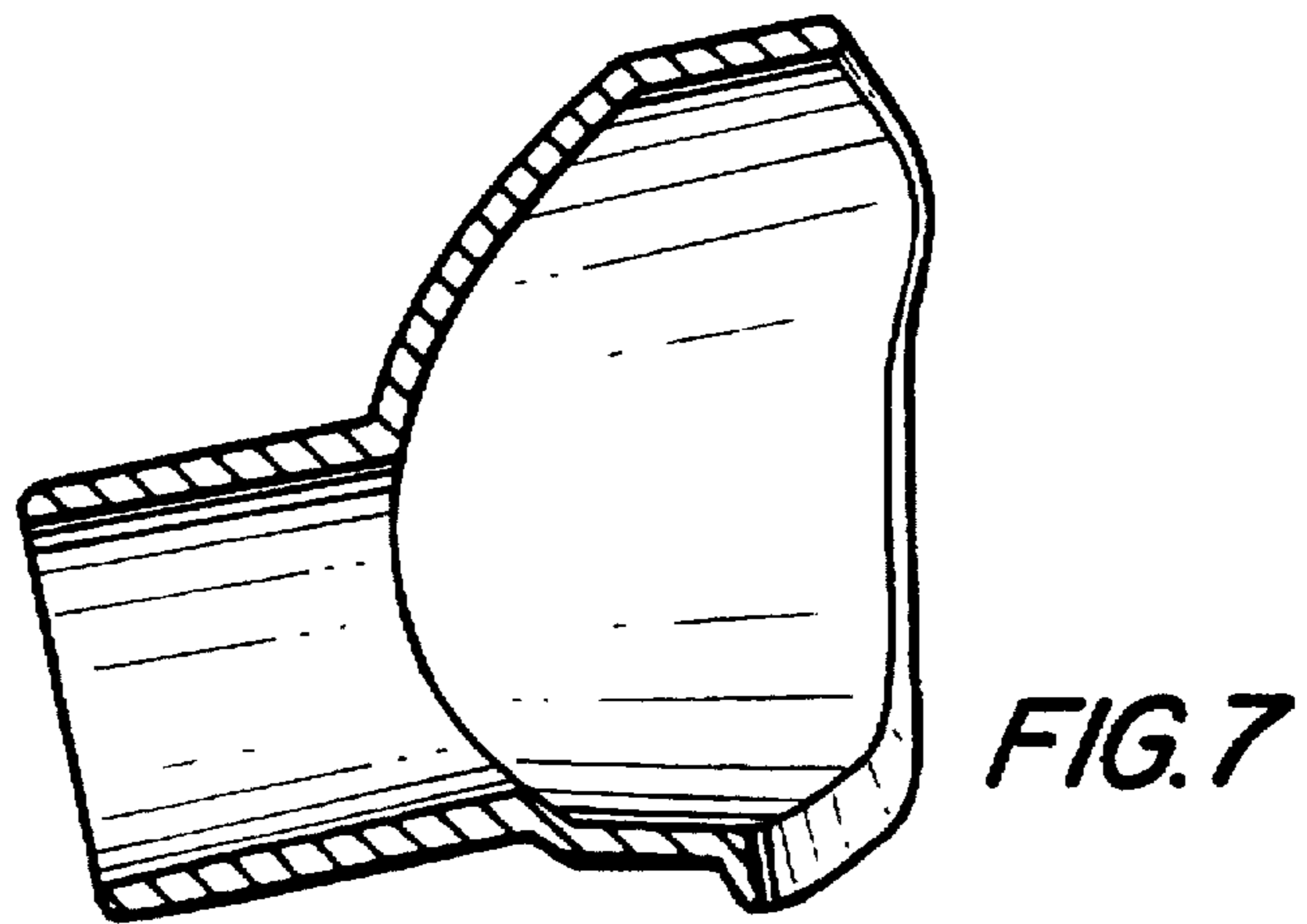
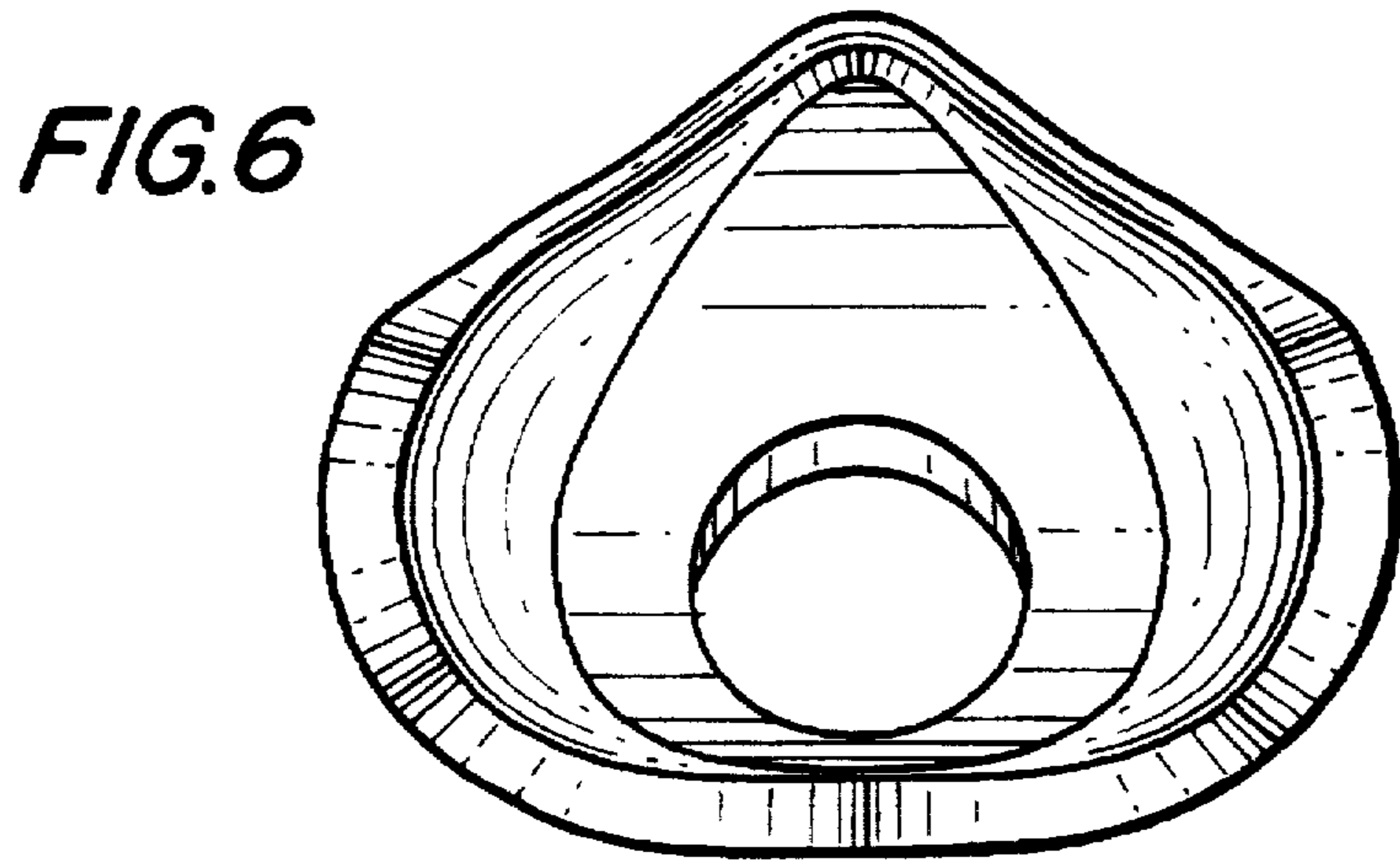
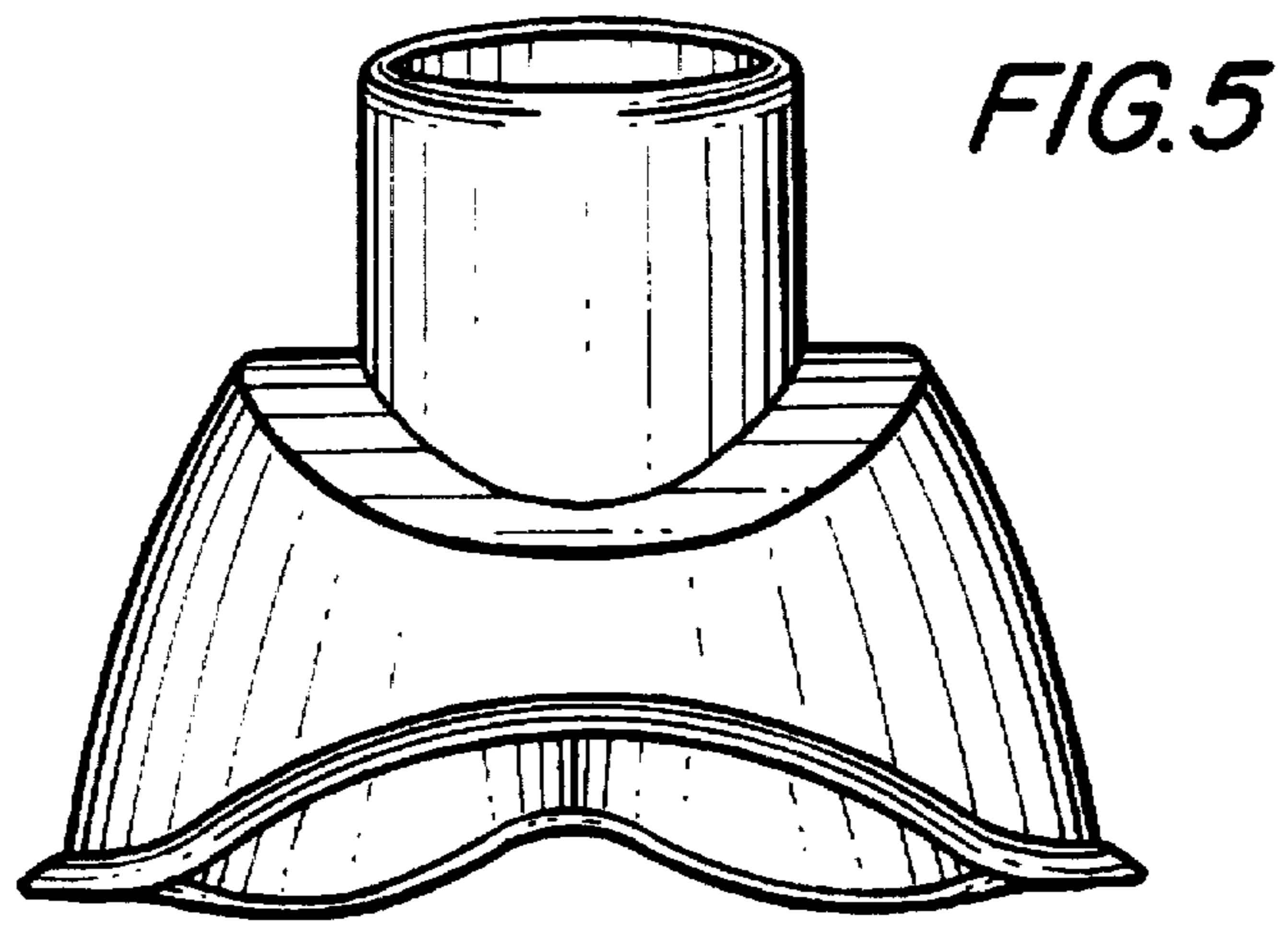


FIG.4



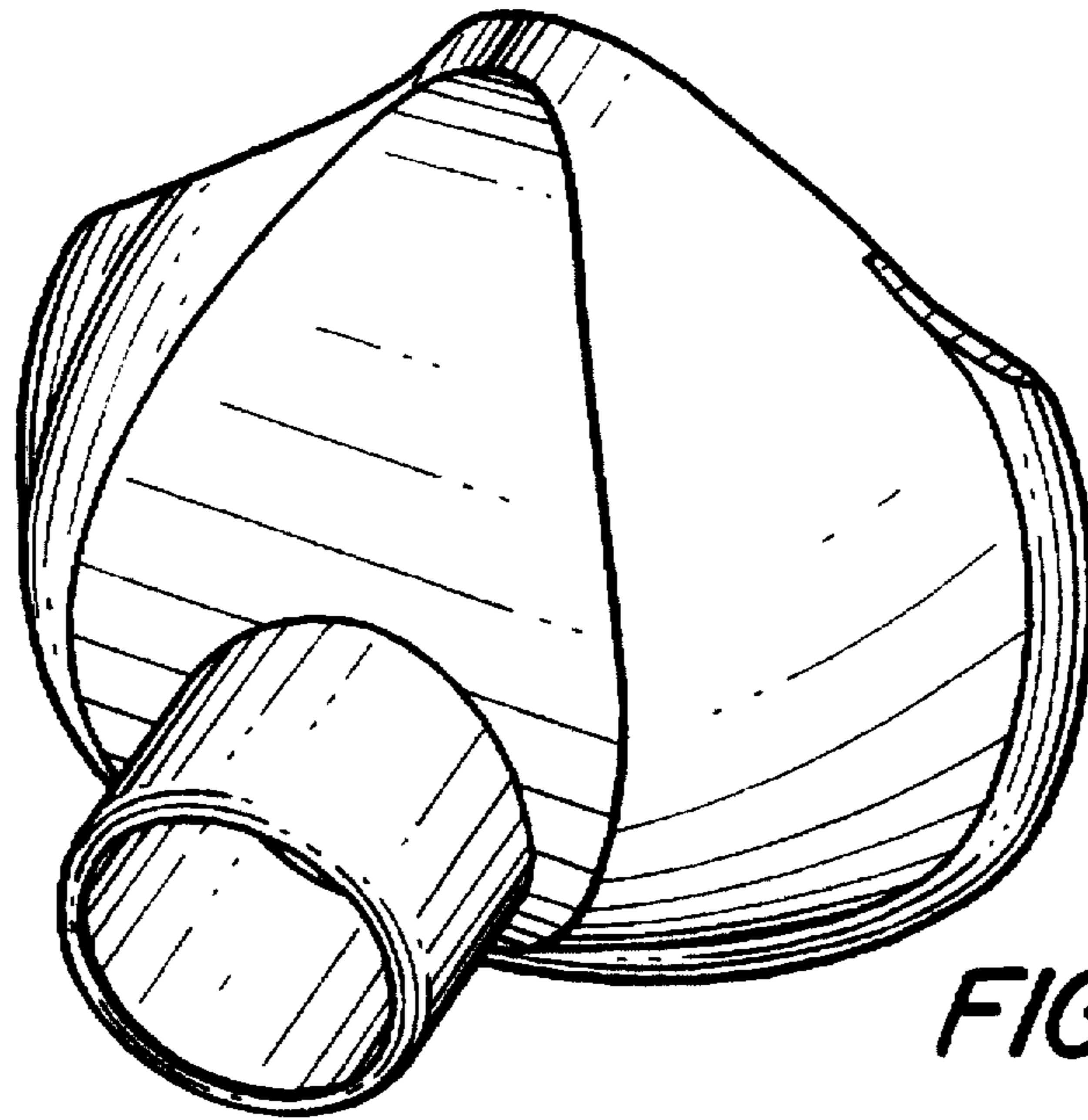


FIG. 8

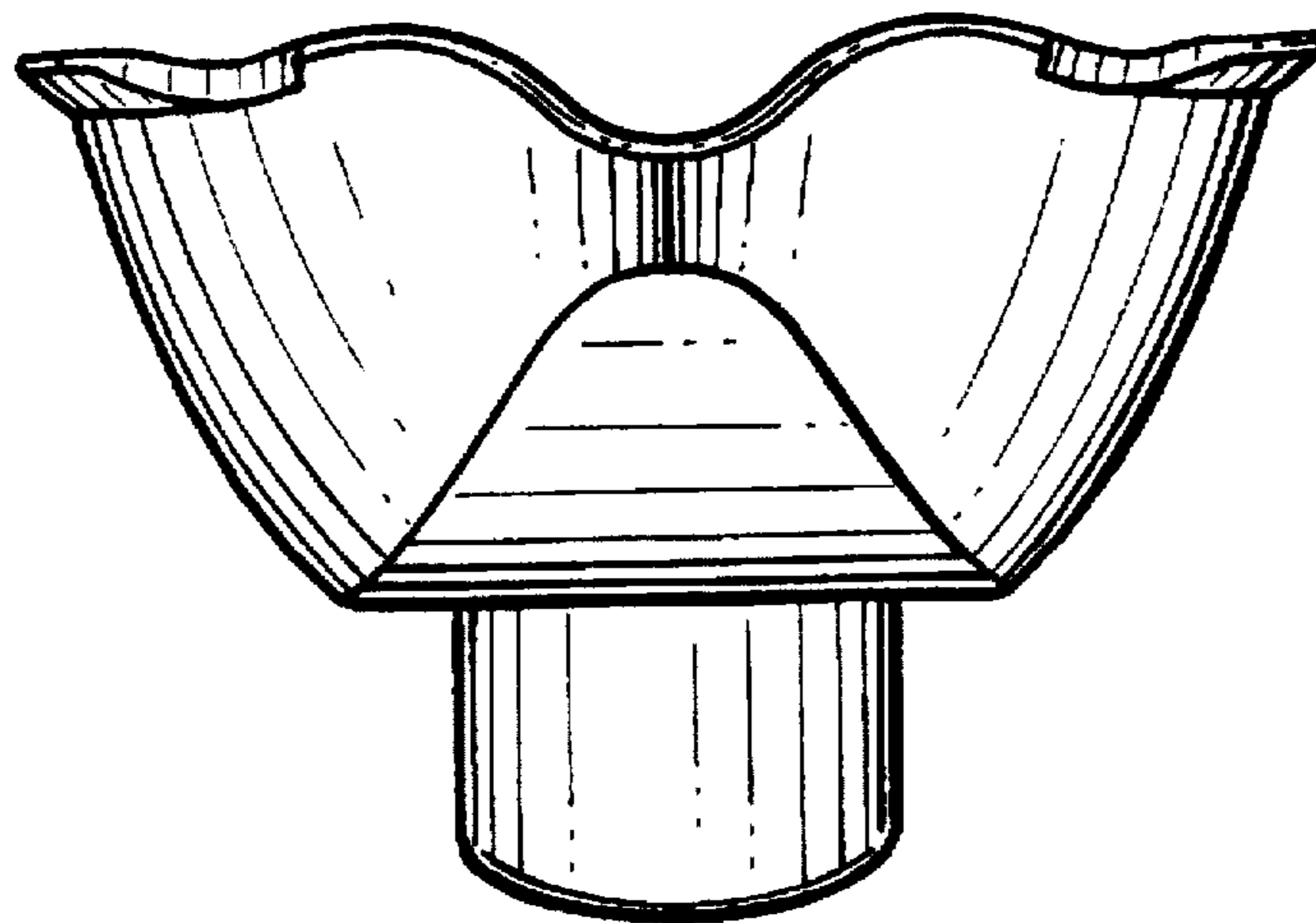


FIG. 9

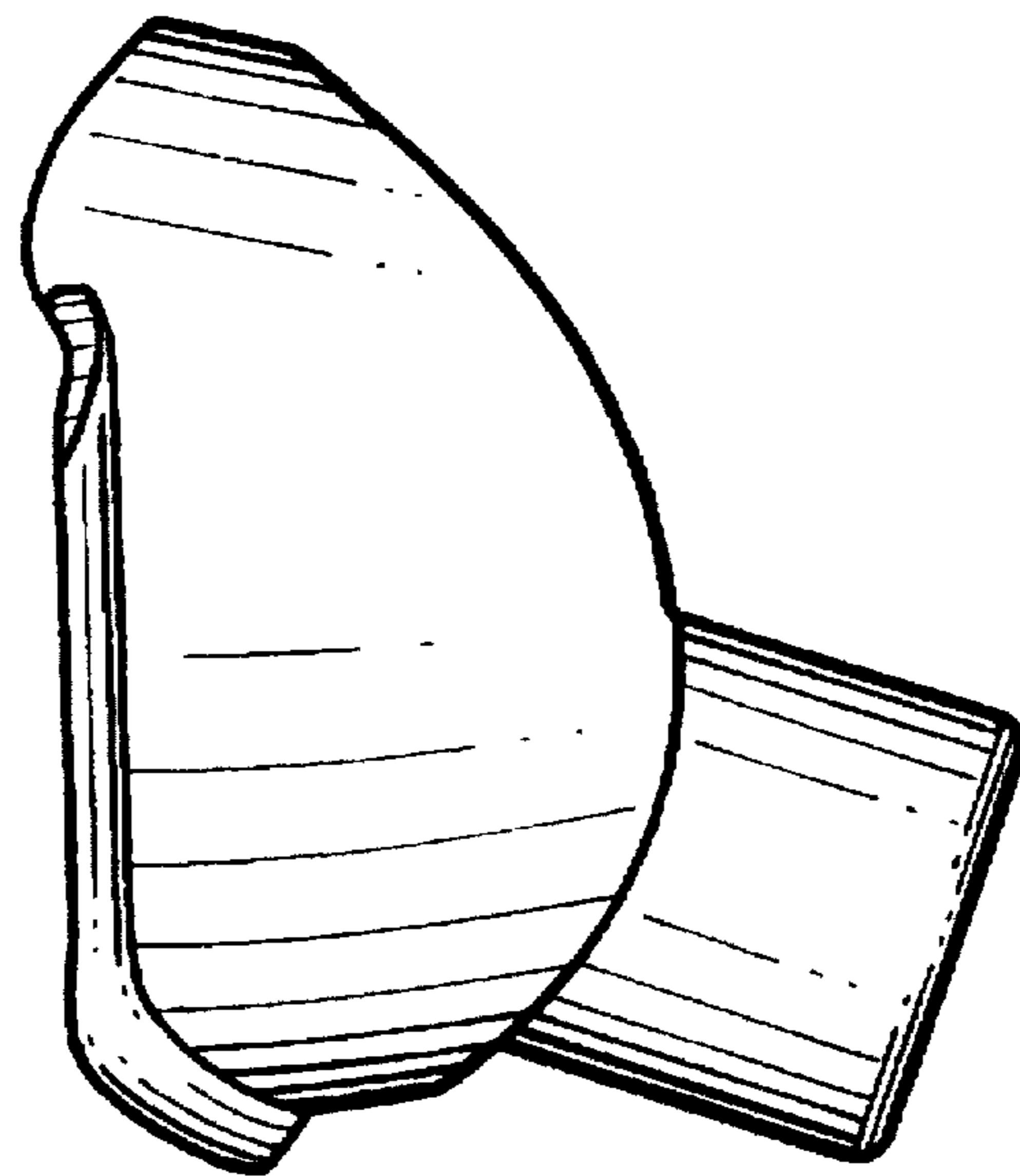
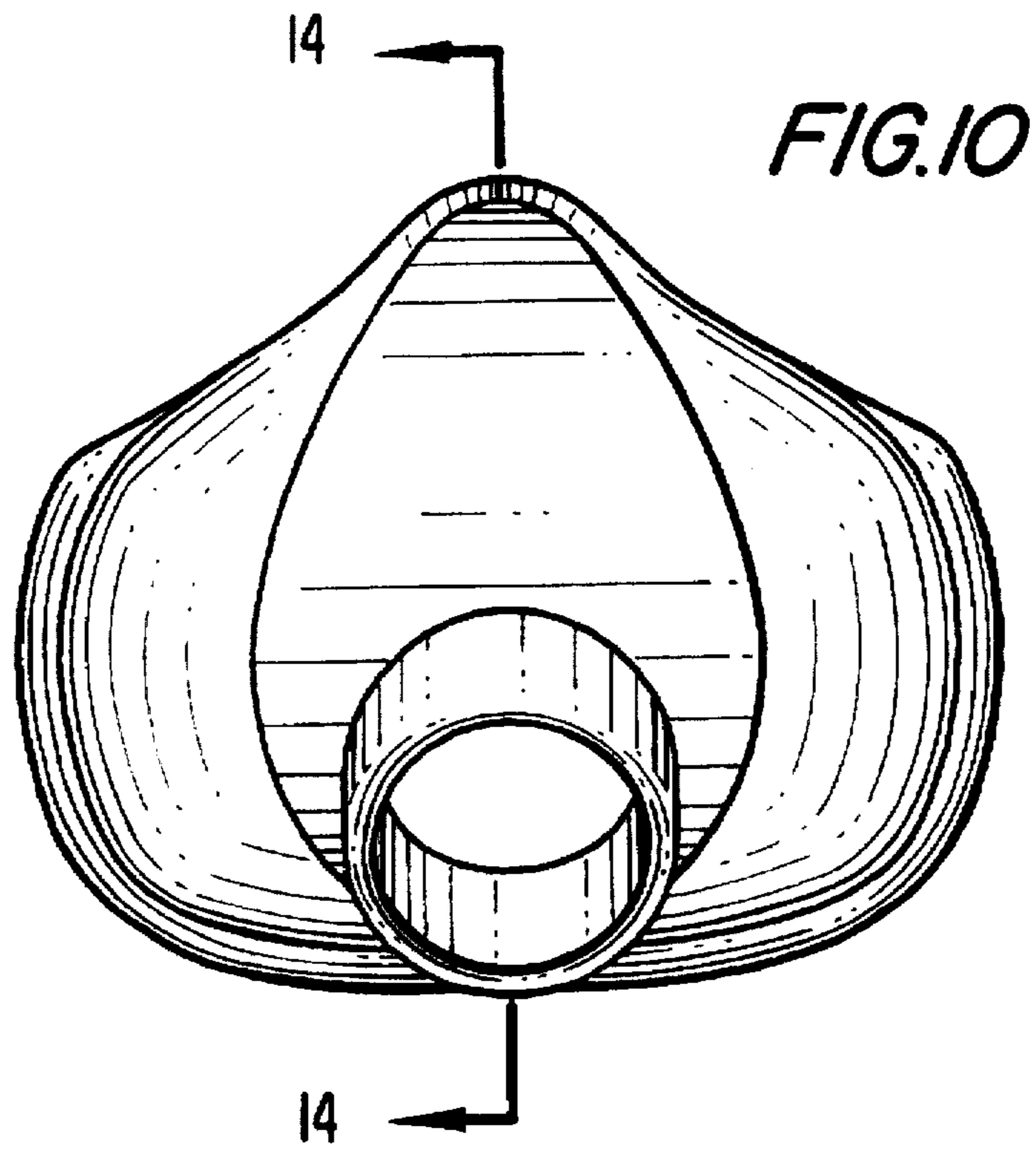


FIG. 11

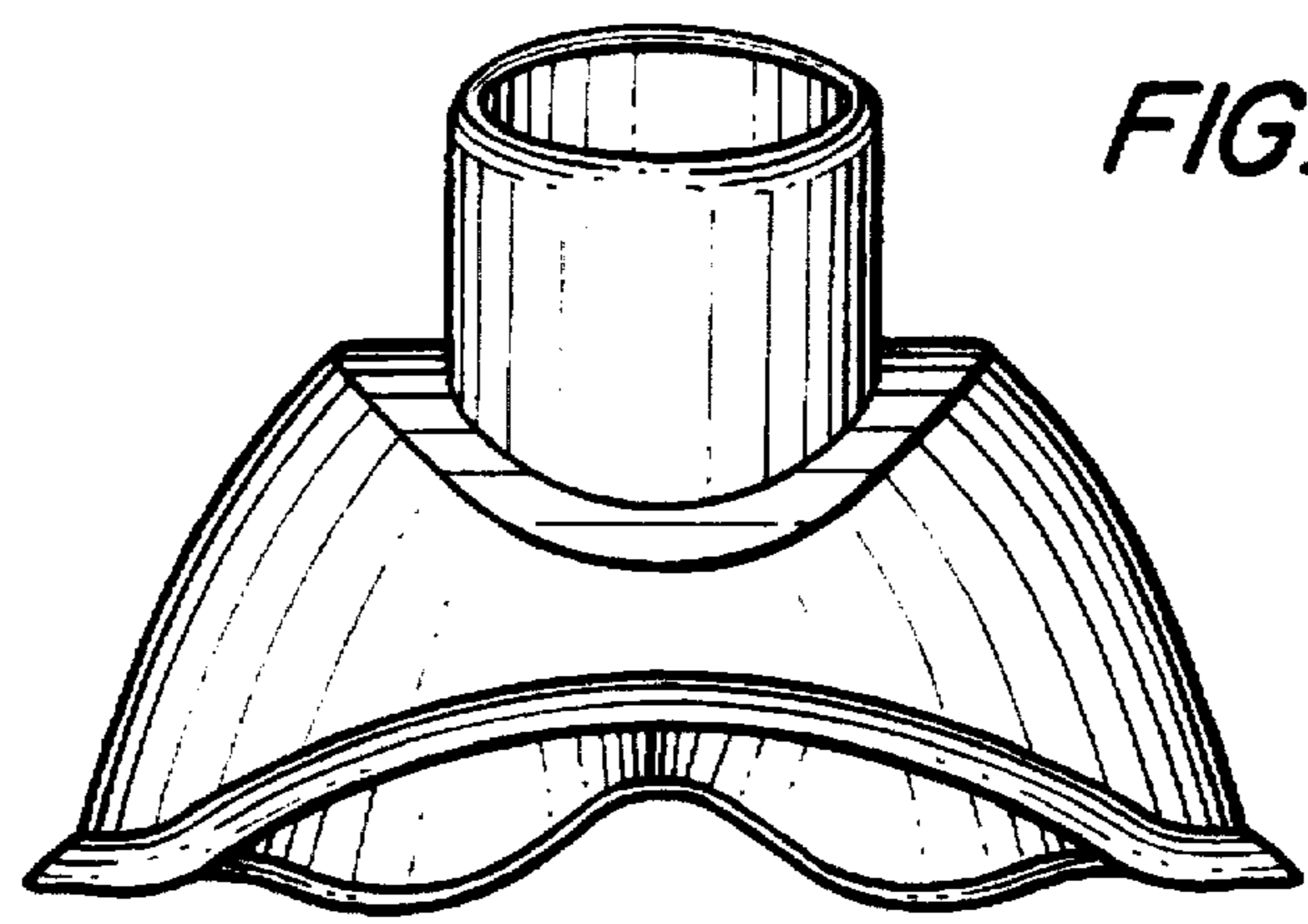


FIG. 12

FIG. 13

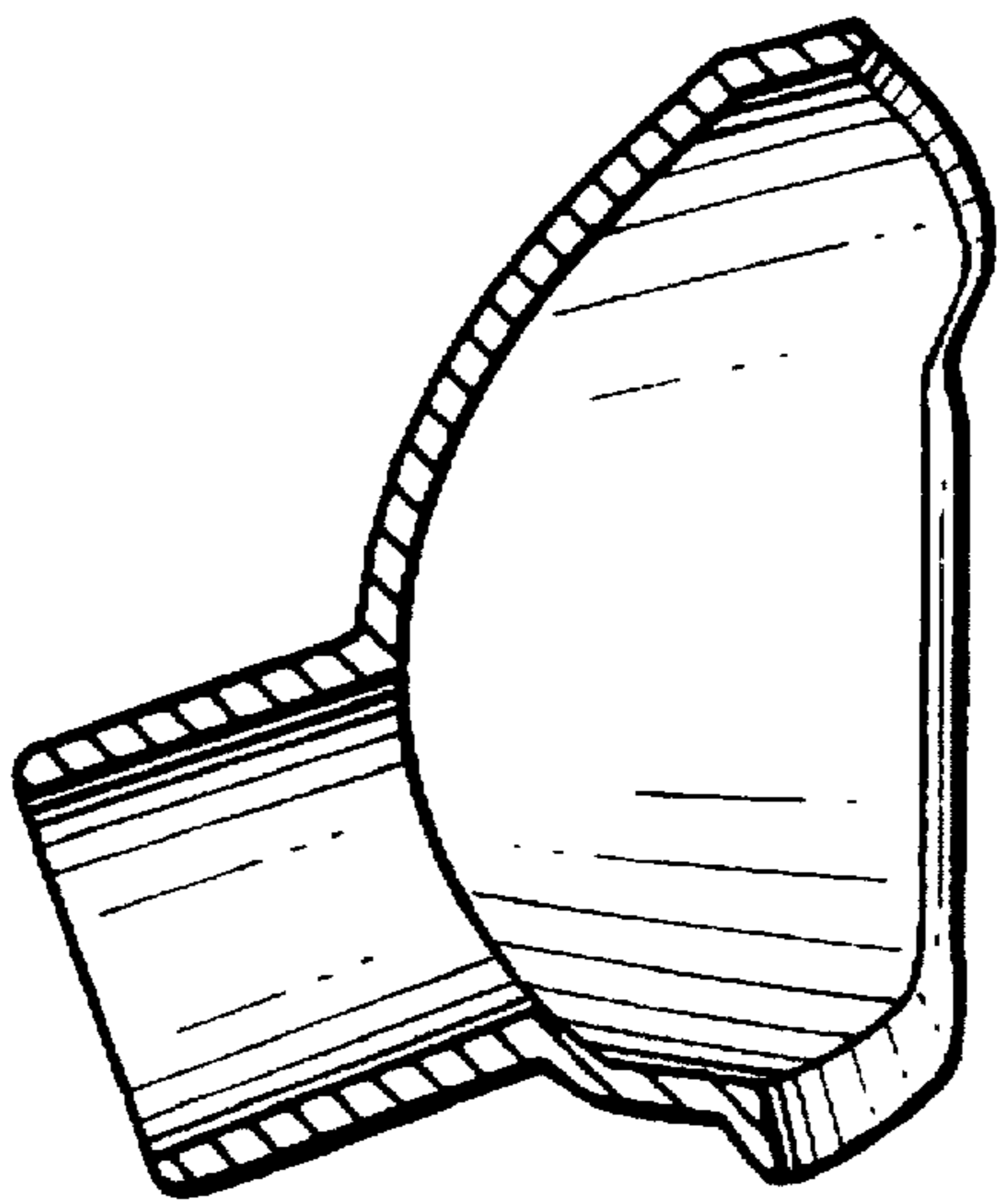
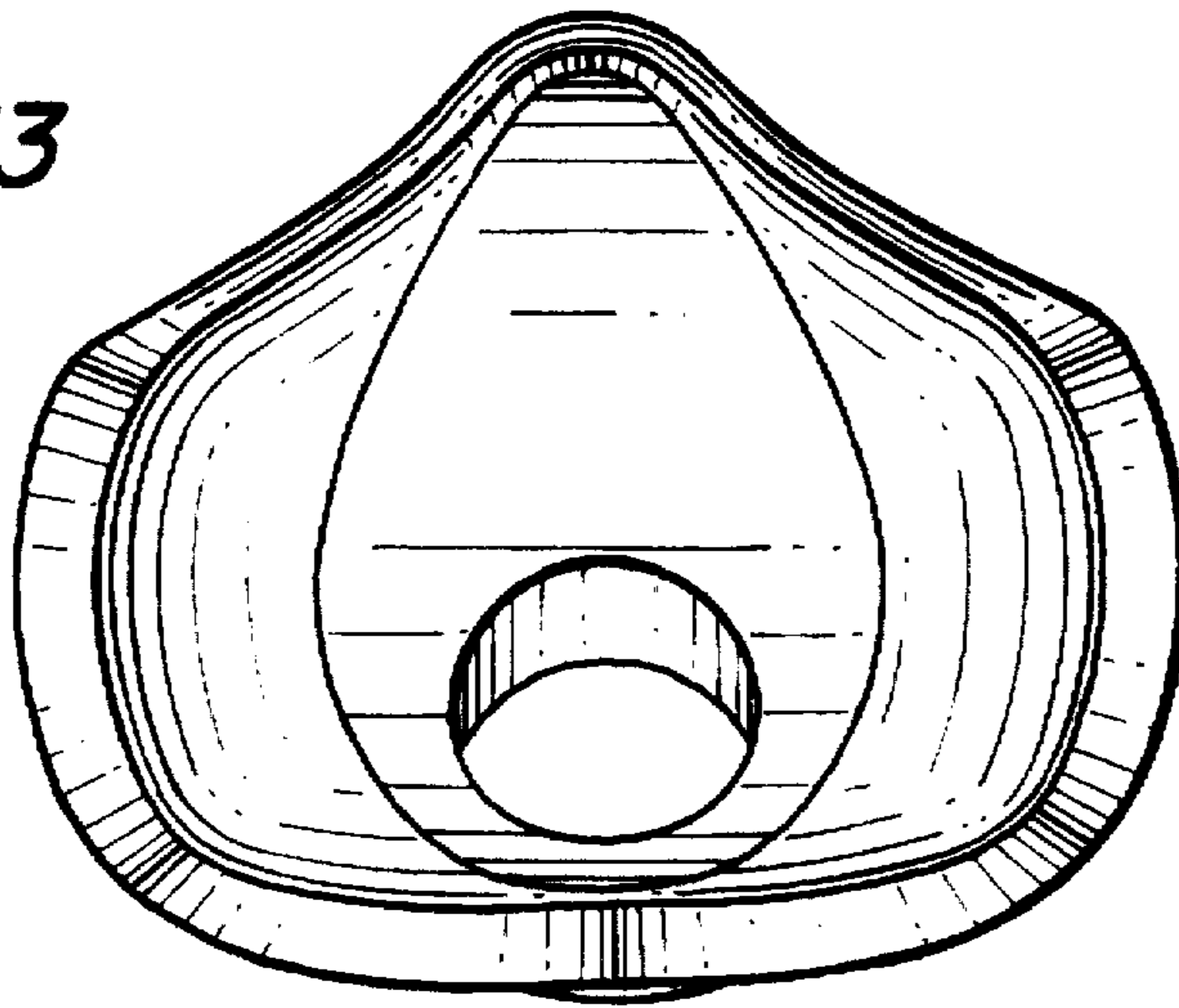


FIG. 14

FIG. 15

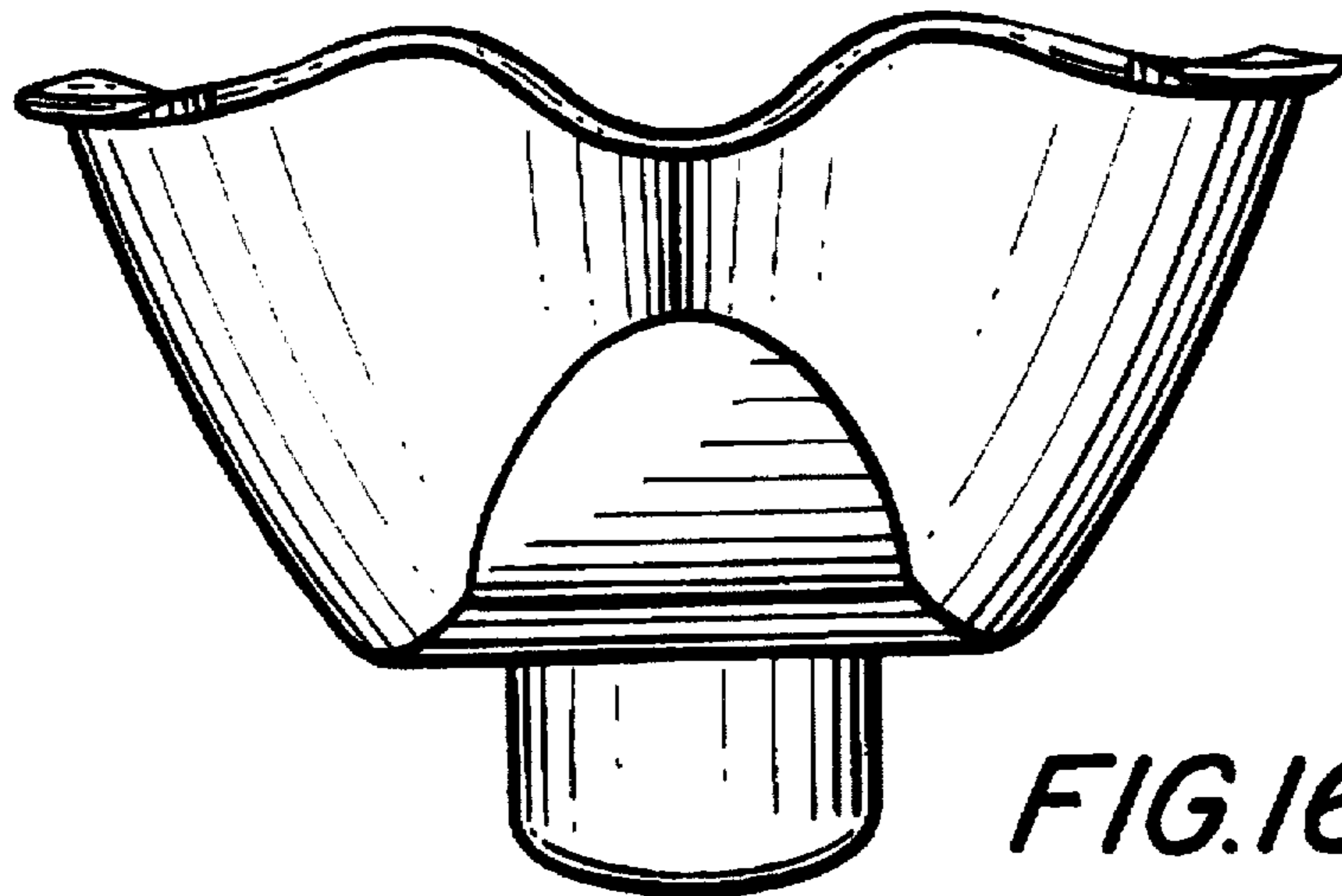
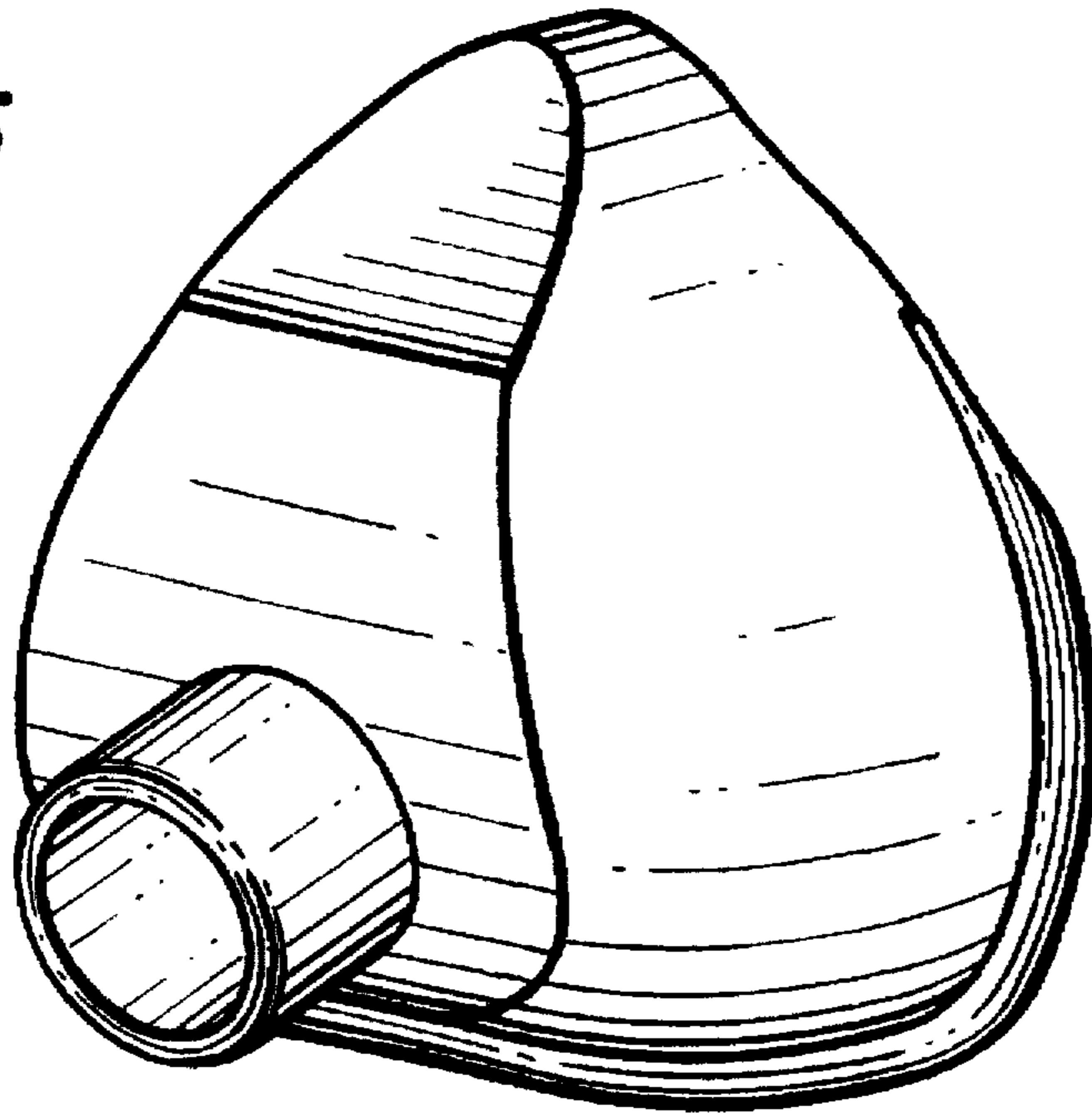
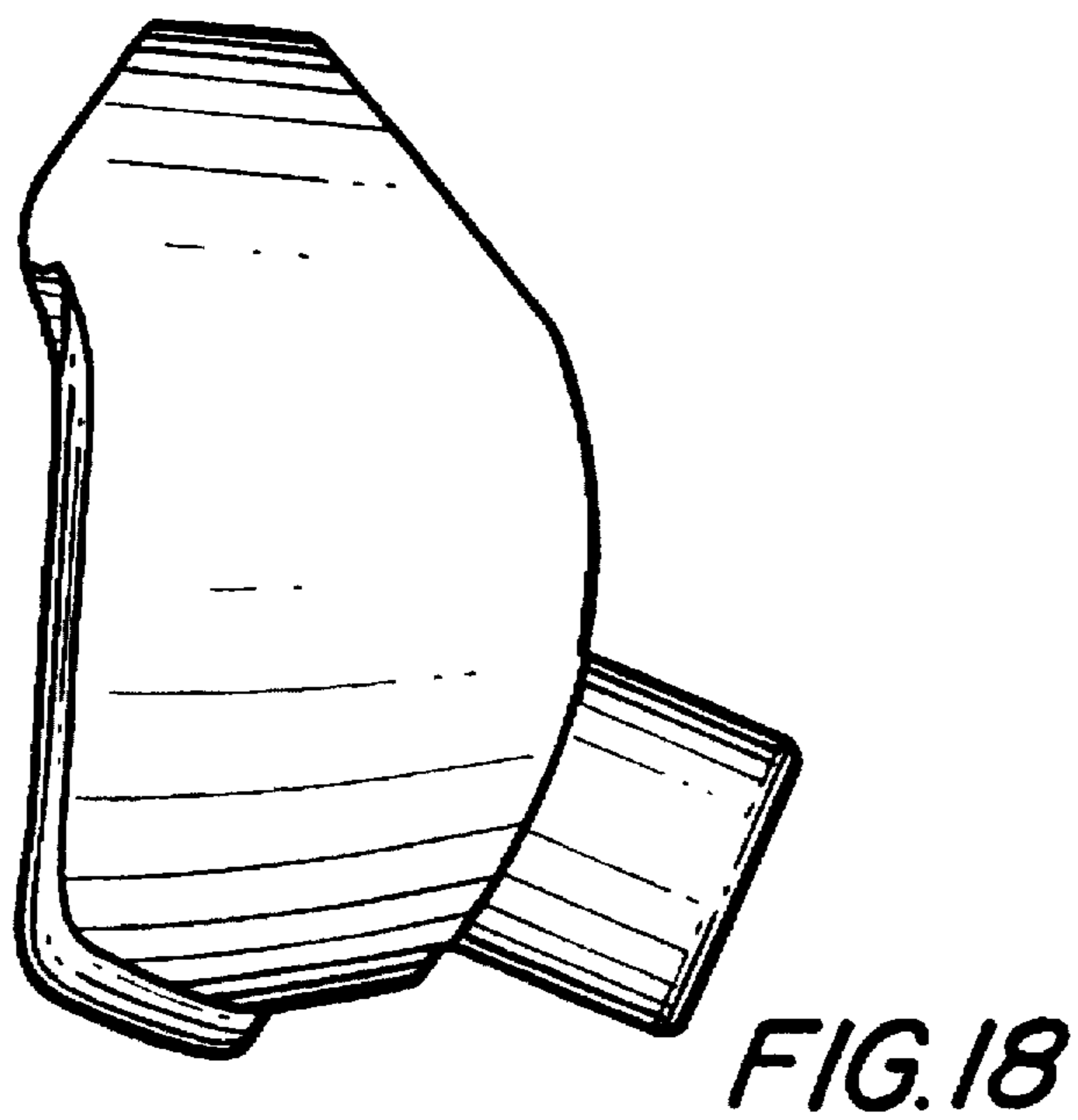
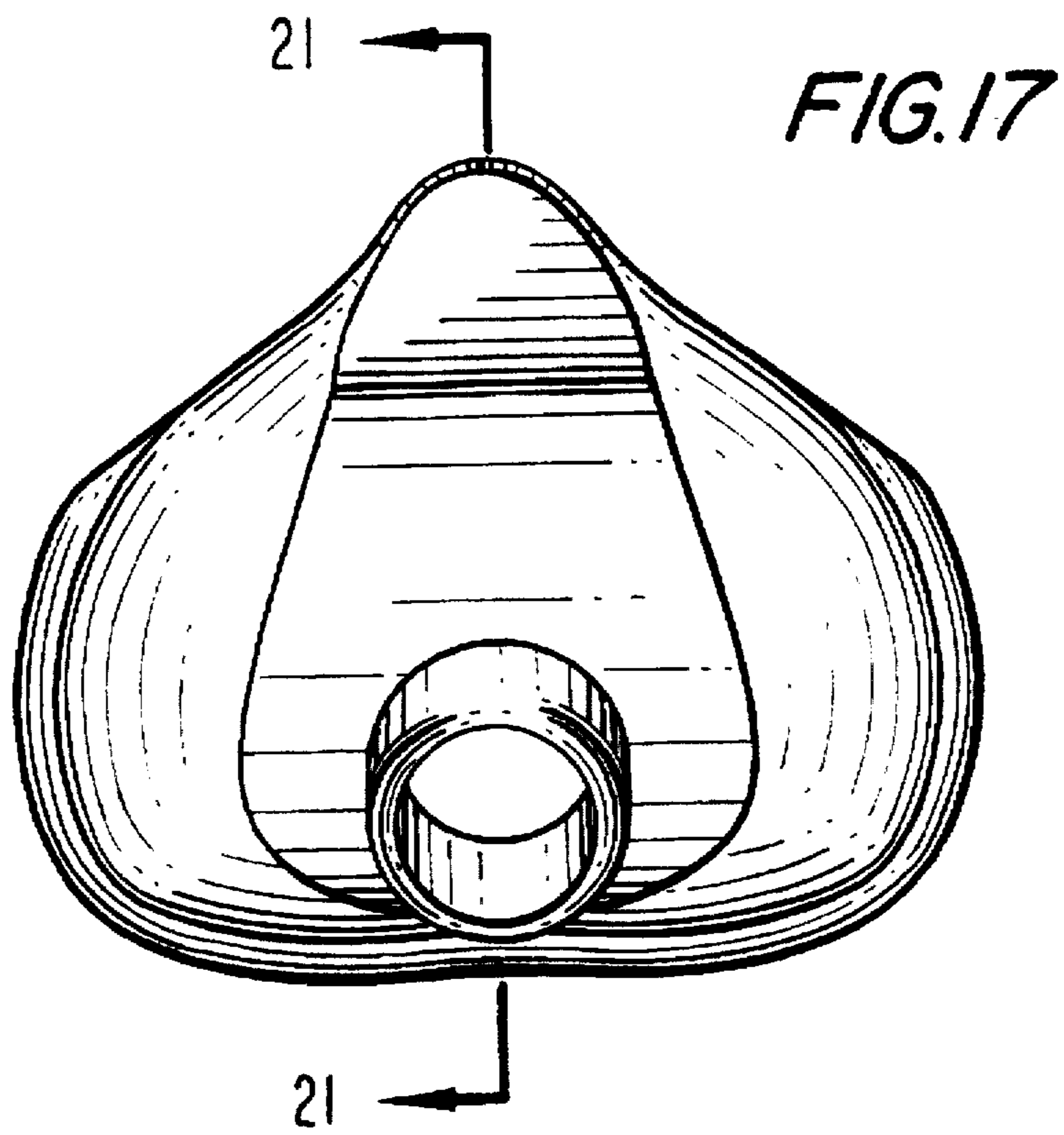


FIG. 16



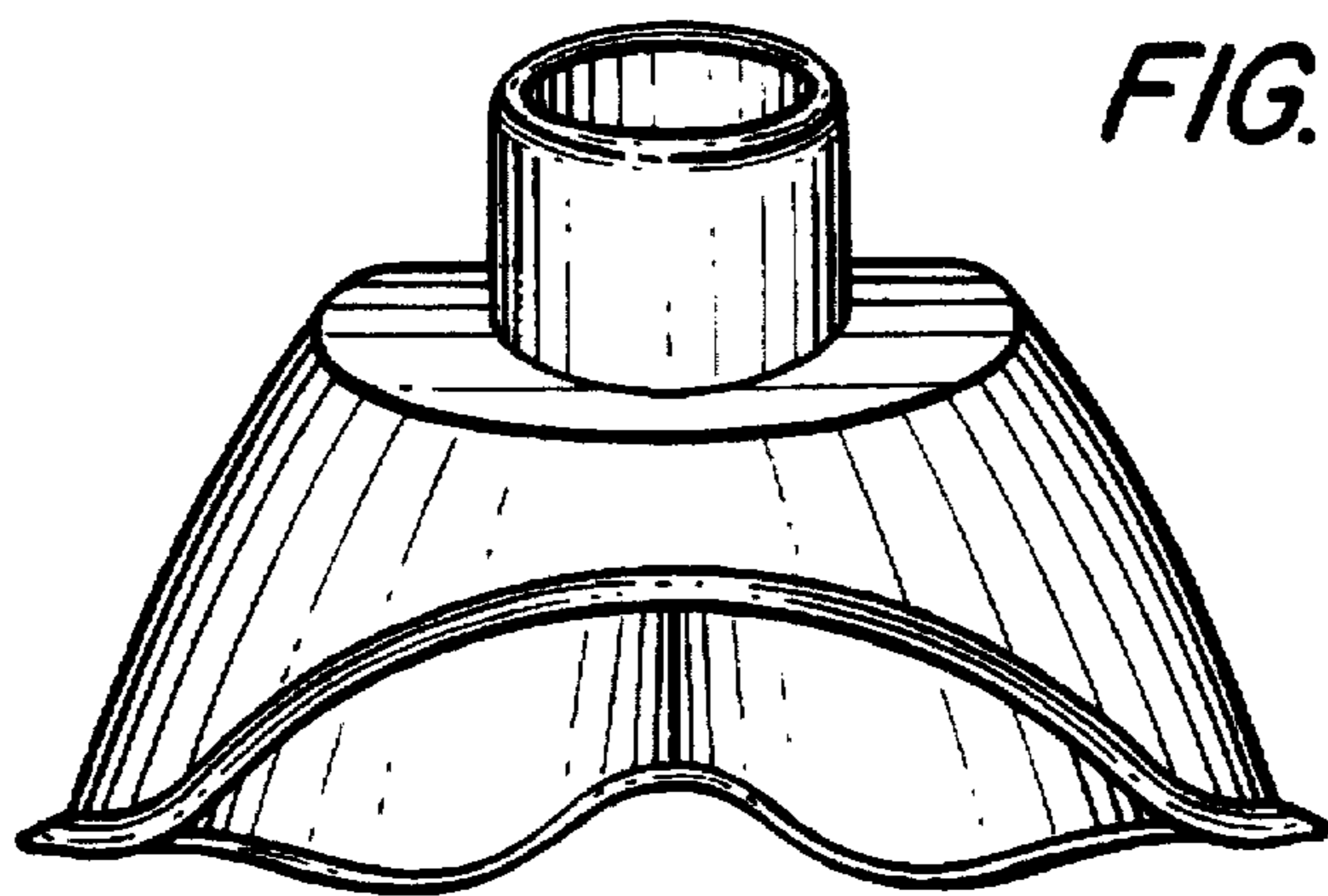


FIG. 19

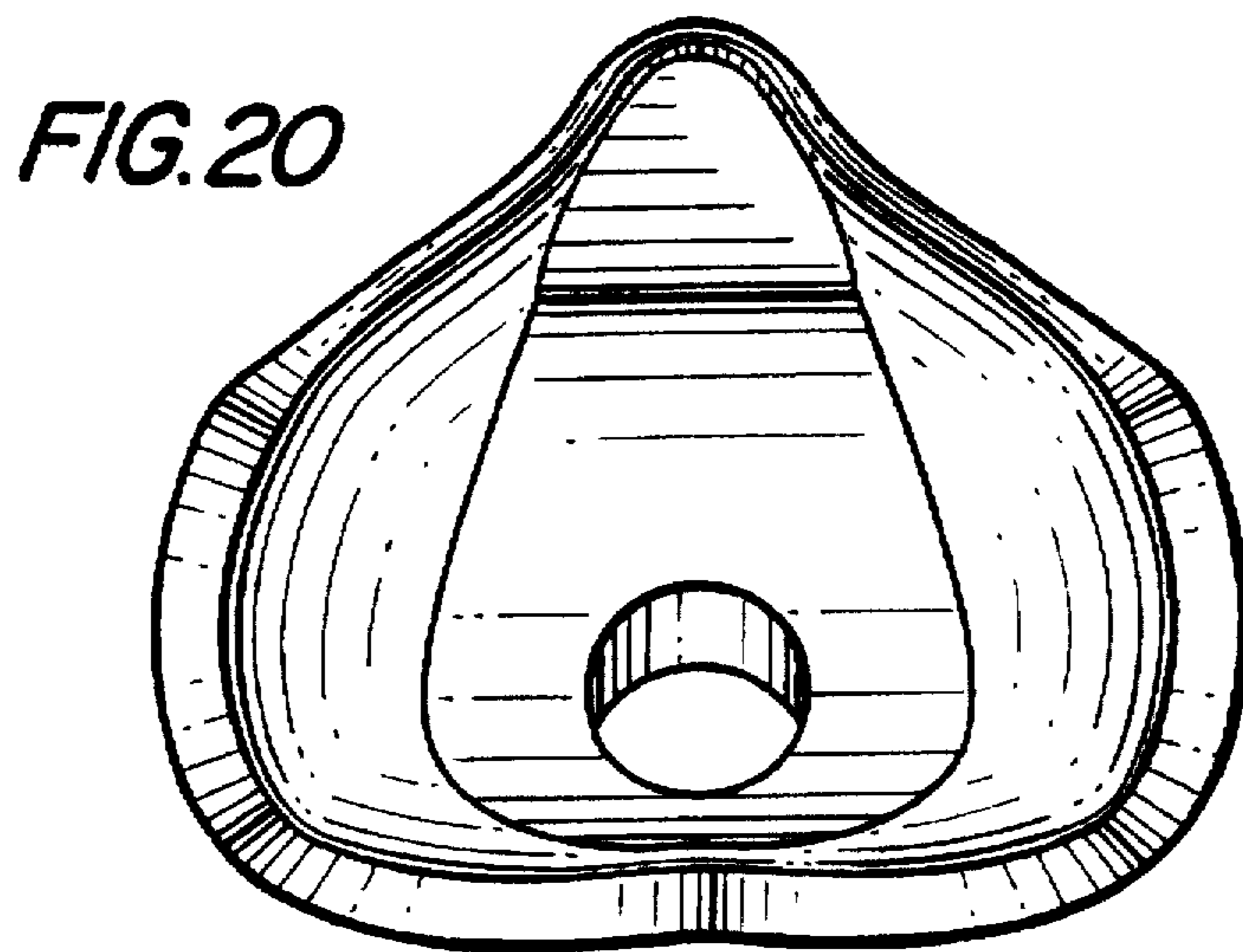


FIG. 20

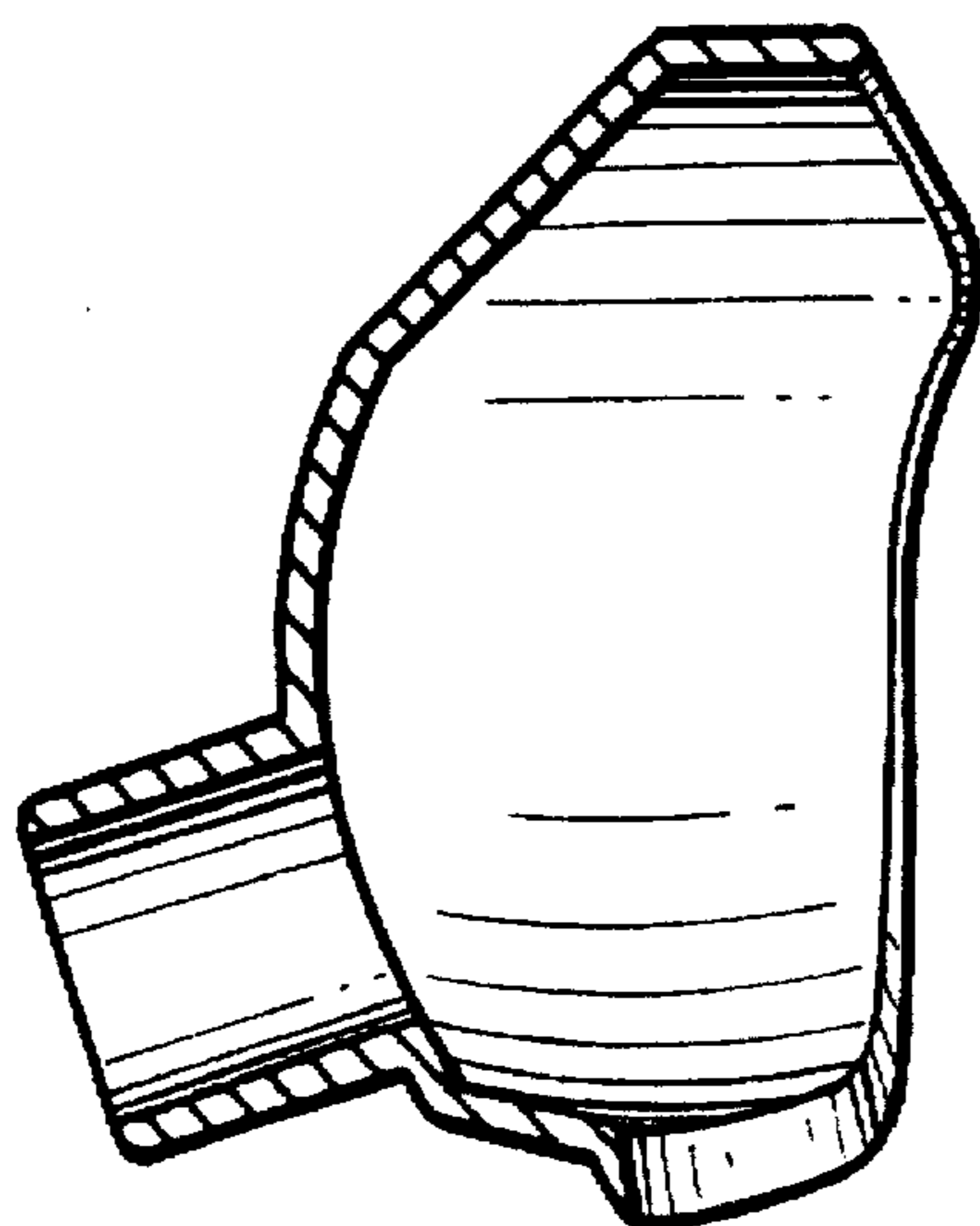


FIG. 21