



US00D389234S

# United States Patent [19] Arrigo

[11] Patent Number: **Des. 389,234**

[45] Date of Patent: **\*\*Jan. 13, 1998**

[54] **TOILET ODOR REMOVAL DEVICE**

4,944,045 7/1990 Agelatos et al. .... 4/213  
5,570,477 11/1996 Rodriguez ..... 4/213

[76] Inventor: **Nino Arrigo, 551 Allegheny Rd.,  
Wennah, N.J. 08090**

*Primary Examiner*—Lisa Lichtenstein

[\*\*] Term: **14 Years**

[57] **CLAIM**

[21] Appl. No.: **61,055**

The ornamental design for a toilet odor removal device, as shown and described.

[22] Filed: **Oct. 15, 1996**

**DESCRIPTION**

[51] LOC (6) Cl. .... **23-04**

In FIG. 1, the broken line showing of a conventional toilet is for illustrative purposes only and forms no part of the claimed design. Additionally, in FIGS. 1, 2 and 4 the cord of the device is shown broken away to indicate indeterminate length.

[52] U.S. Cl. .... **D23/368; D23/366**

[58] Field of Search ..... **D23/366, 368,  
D23/369; 4/213, 217; 422/123**

[56] **References Cited**

FIG. 1 is a front elevational view of the toilet odor removal device showing my new design;

**U.S. PATENT DOCUMENTS**

FIG. 2 is a rear elevational view thereof;

D. 328,340	7/1992	Bolduc	.....	D23/366
D. 365,138	12/1995	Puri	.....	D23/208
2,579,045	12/1951	Levitt	.....	D23/368
3,571,824	3/1971	Poister	.....	4/213
3,849,808	11/1974	Olson et al.	.....	4/213
4,200,940	5/1980	Buchanan	.....	4/217

FIG. 3 is a right side elevational view thereof;

FIG. 4 is a left side elevational view thereof;

FIG. 5 is a top plan view thereof; and,

FIG. 6 is a bottom plan view thereof.

**1 Claim, 3 Drawing Sheets**

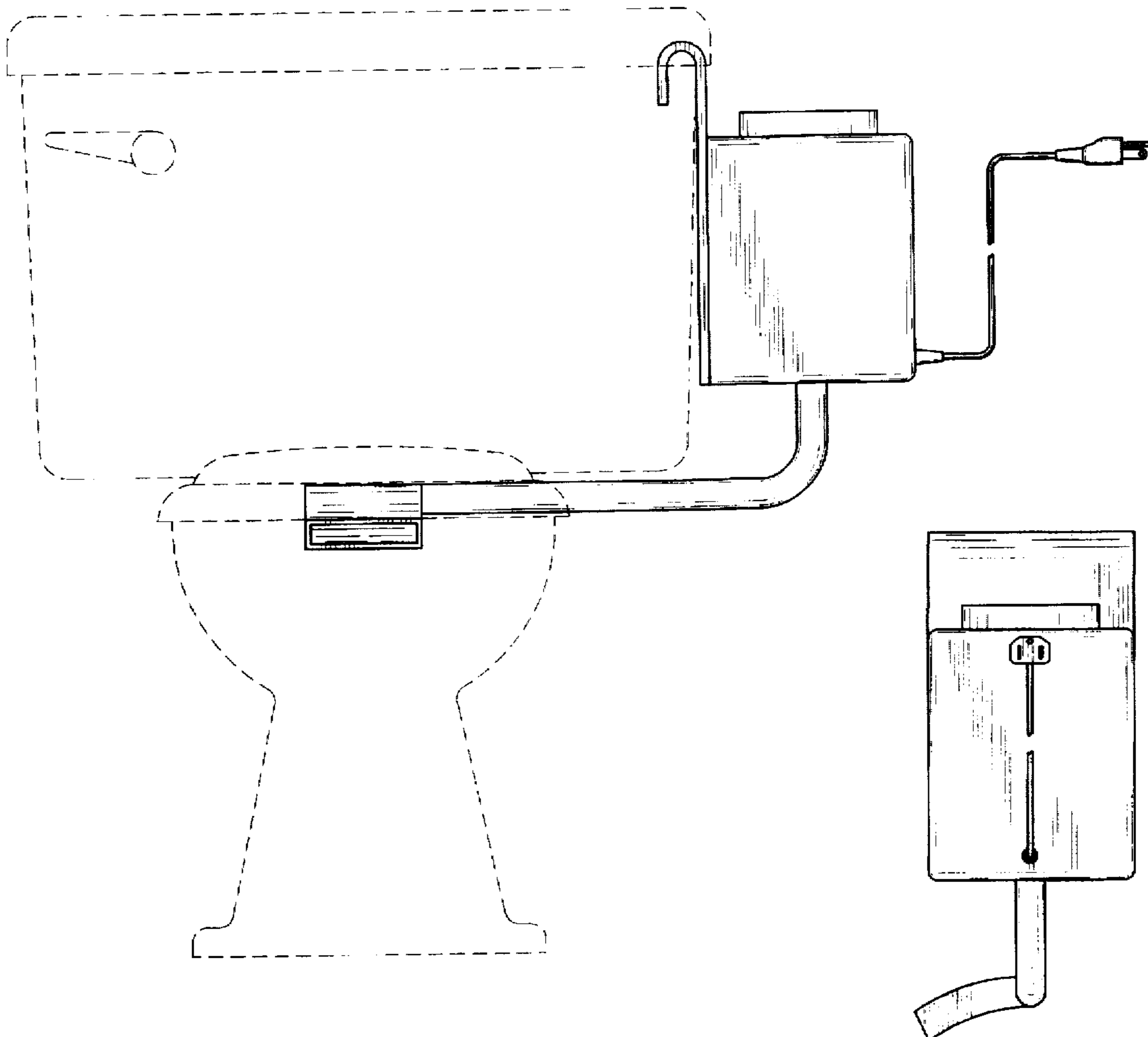


FIG. 1

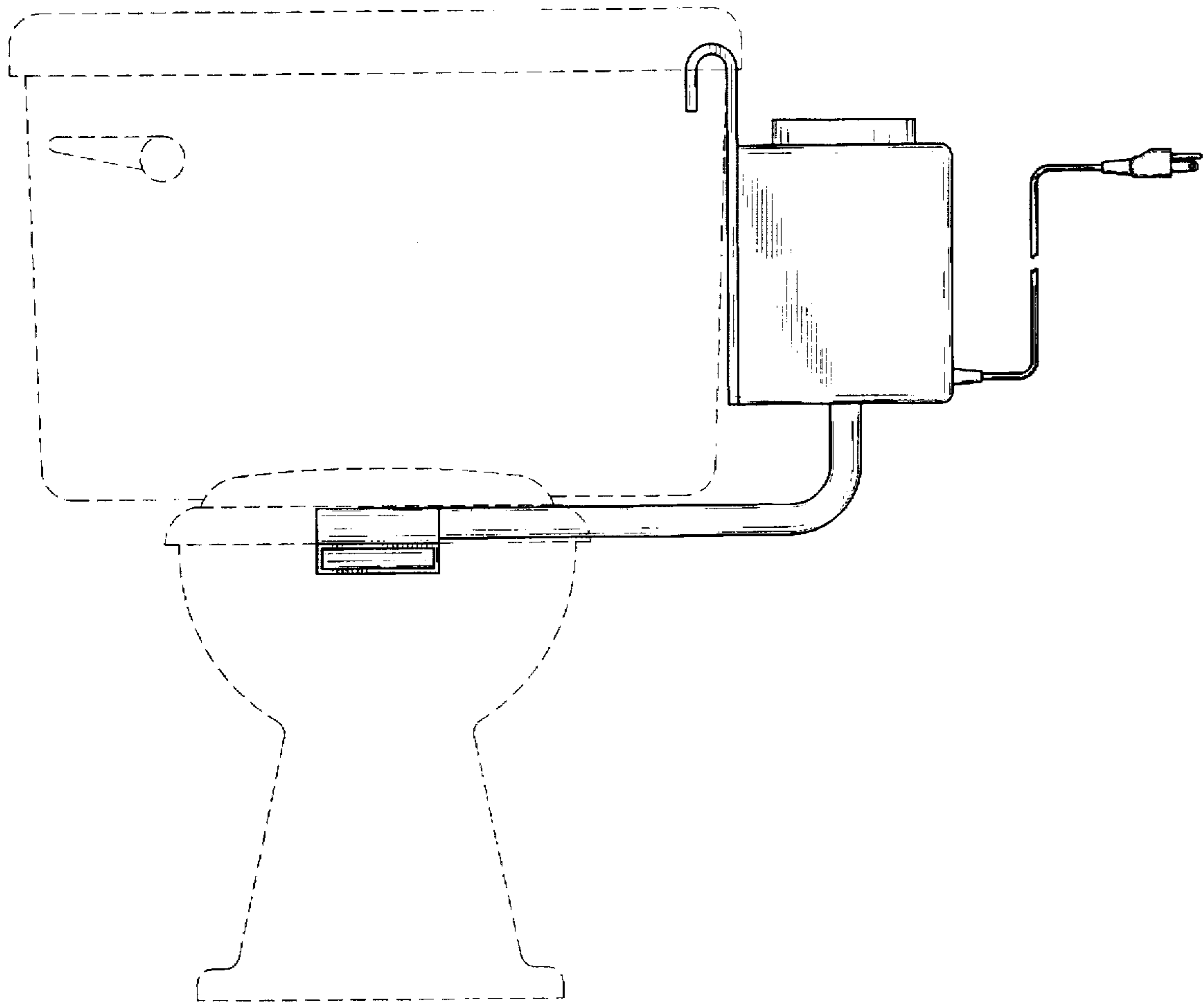


FIG. 2

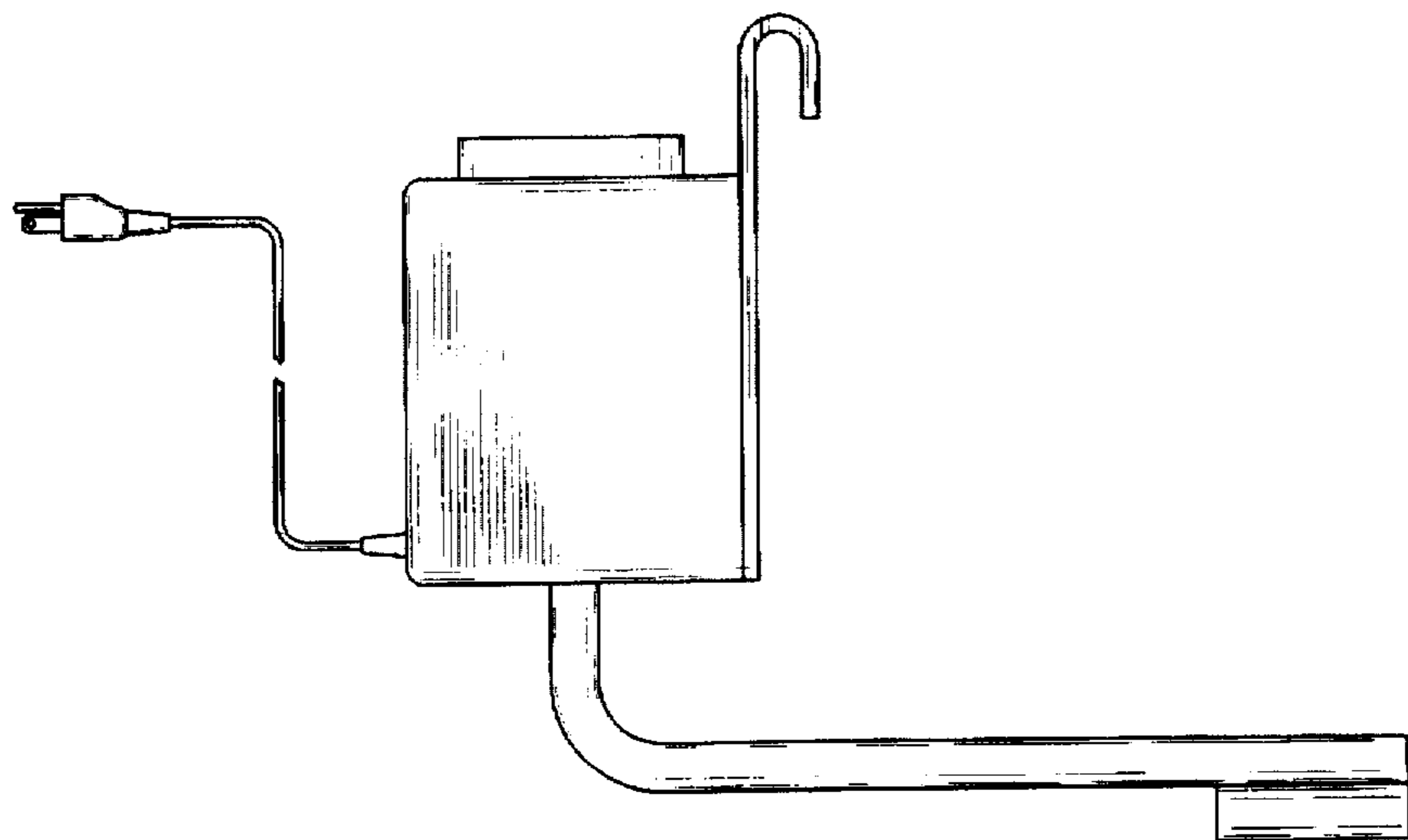


FIG. 3

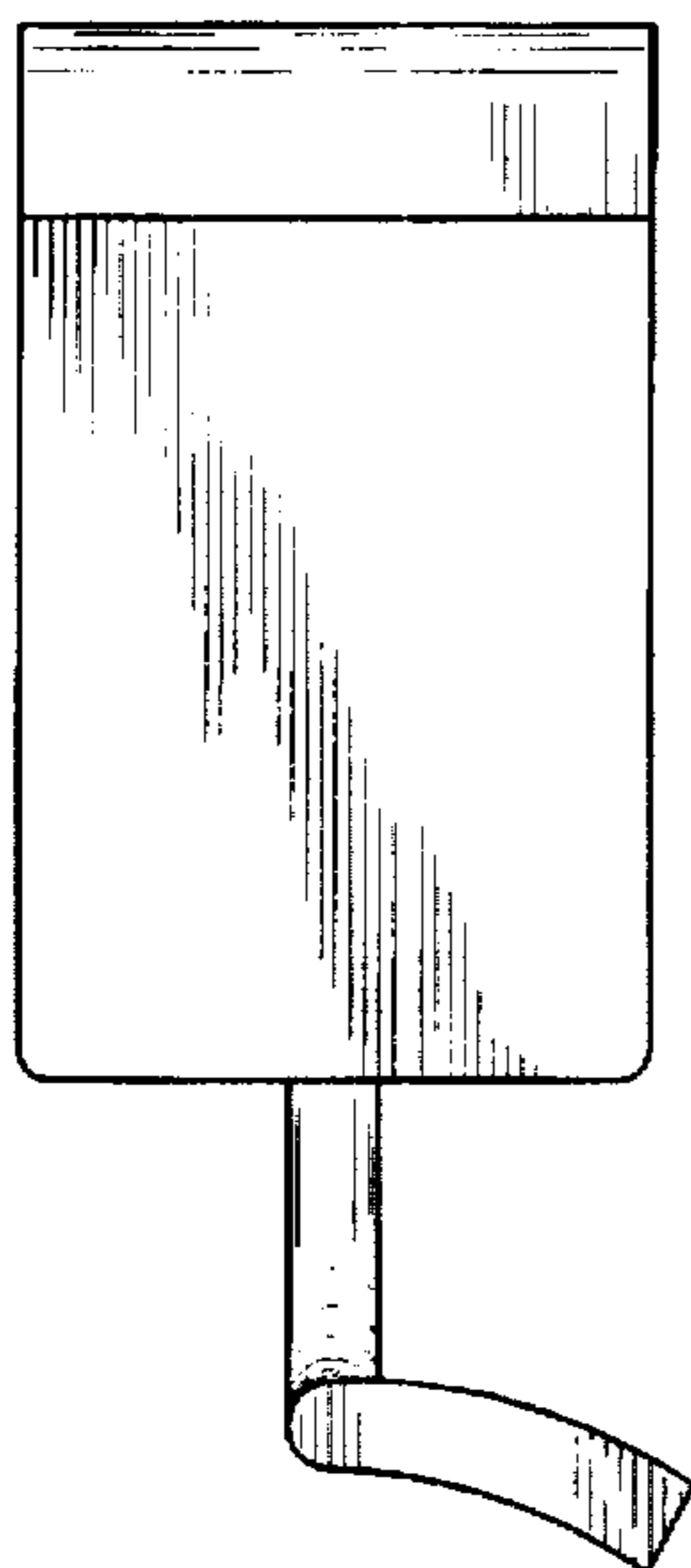


FIG. 4

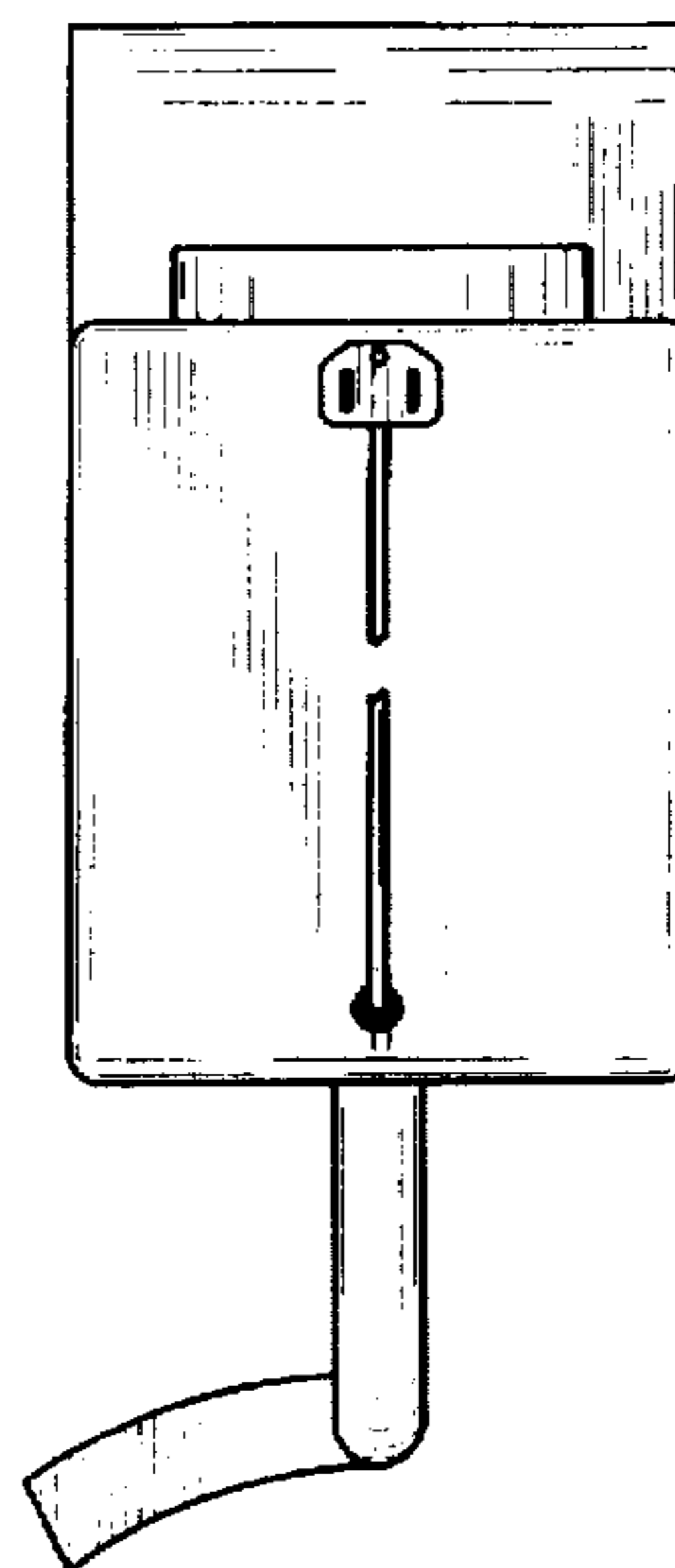


FIG. 5

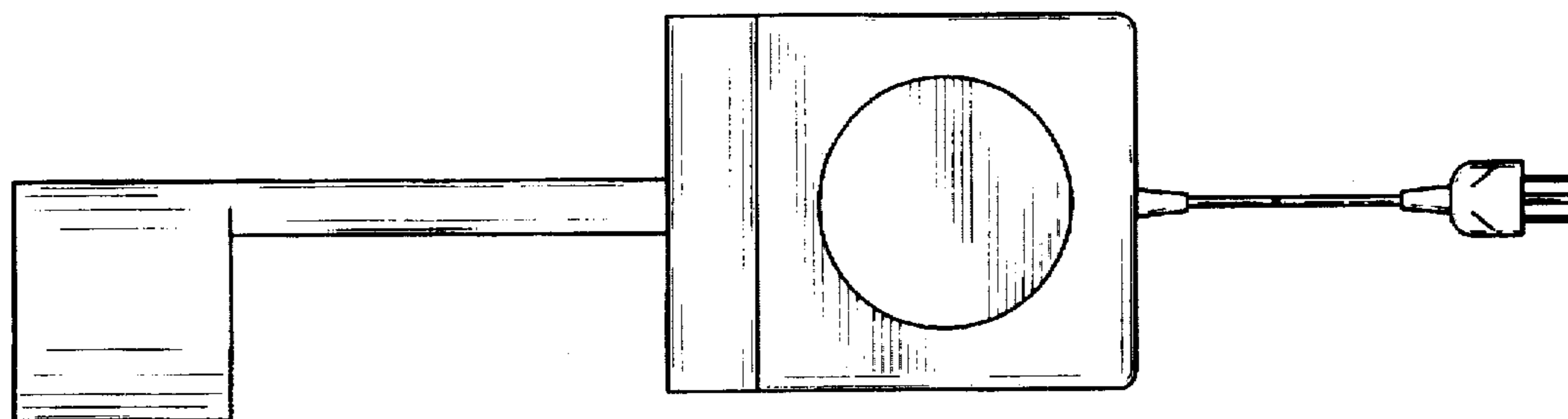


FIG. 6

