

US00D389231S

United States Patent [19]
Yarbrough et al.

[11] **Patent Number: Des. 389,231**
[45] **Date of Patent: **Jan. 13, 1998**

[54] **FOOT OPERATED TOILET SEAT LIFTER**

5,404,595 4/1995 Carmel 4/246.1
5,448,782 9/1995 Ratajac .
5,487,192 1/1996 Hodges 4/246.3
5,488,743 2/1996 Alfonso .

[76] Inventors: **Harvey M. Yarbrough**, 46 Crestview Cir., Ringgold, Ga. 30736; **Clifton Ingle**, 312 Huston Valley Rd., Rocky Face, Ga. 30740

Primary Examiner—Louis S. Zarfes
Assistant Examiner—Eric Watterson
Attorney, Agent, or Firm—Richard C. Litman

[**] Term: **14 Years**

[57] **CLAIM**

[21] Appl. No.: **66,319**

The ornamental design for a foot operated toilet seat lifter, as shown and described.

[22] Filed: **Feb. 6, 1997**

[51] LOC (6) Cl. **23-02**

[52] U.S. Cl. **D23/303**

[58] Field of Search D23/303, 309,
D23/313; D8/300, 307; 4/246.1, 246.3,
661

DESCRIPTION

FIG. 1 is an environmental perspective view of a foot operated toilet seat lifter showing my new design; FIG. 2 is a front elevational view thereof; FIG. 3 is a rear elevational view thereof; FIG. 4 is a left side elevational view thereof; FIG. 5 is a right side elevational view thereof; FIG. 6 is a top plan view thereof; and, FIG. 7 is an environmental left side elevational view thereof. The broken line showing of the toilet in FIGS. 1 and 7 is for illustrative purposes only and forms no part of the claimed design.

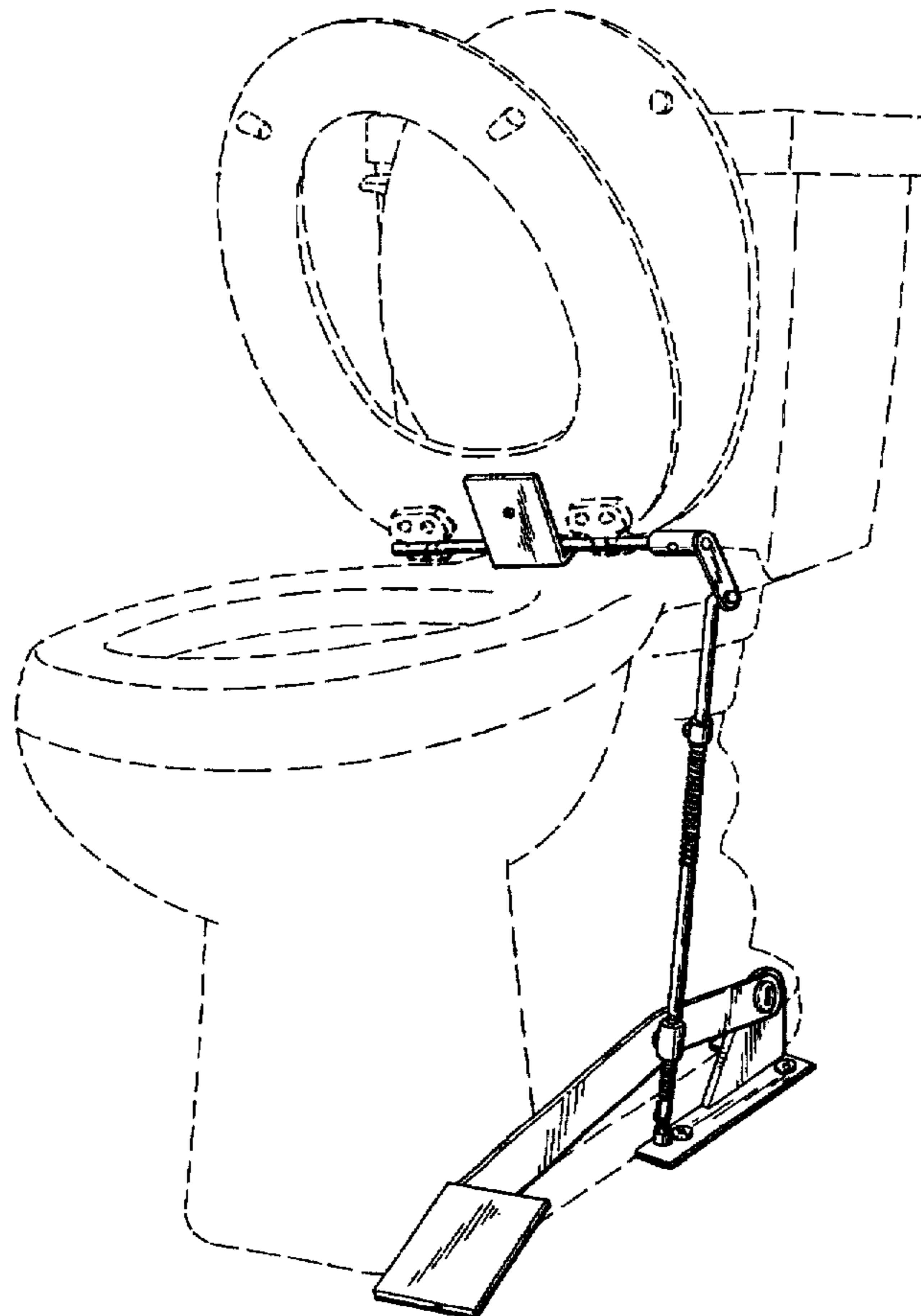
[56] **References Cited**

U.S. PATENT DOCUMENTS

D. 349,952	8/1994	Endus et al.	D23/309
2,283,678	5/1942	Landis .	
3,417,411	12/1968	Greenwood	4/246.3
4,103,371	8/1978	Wilson .	
4,150,446	4/1979	Crocker .	
4,584,724	4/1986	Wilson .	
5,237,708	8/1993	Zamoyski .	
5,323,496	6/1994	Blair	4/246.3

The undisclosed bottom view is unornamented.

1 Claim, 7 Drawing Sheets



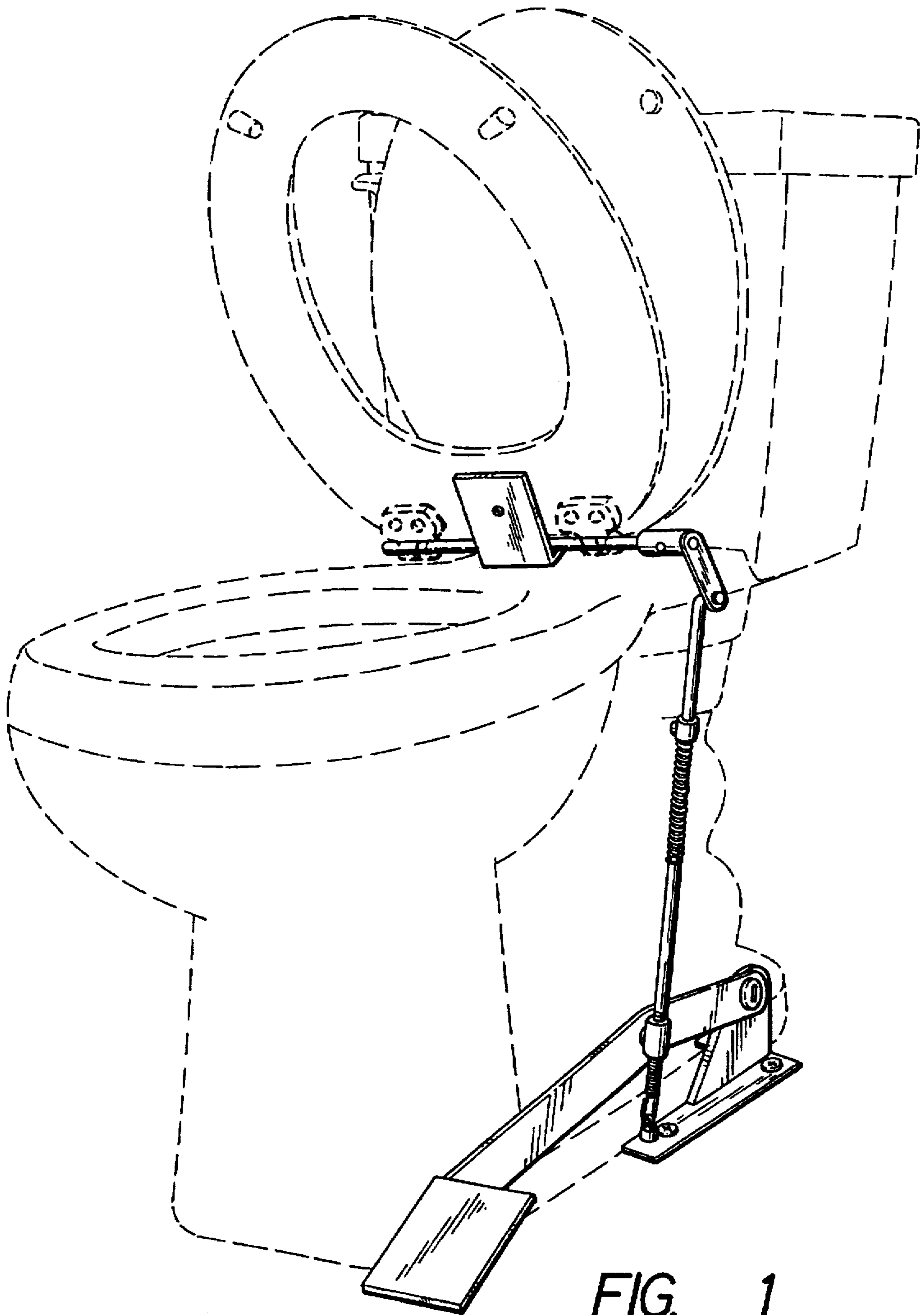


FIG. 1

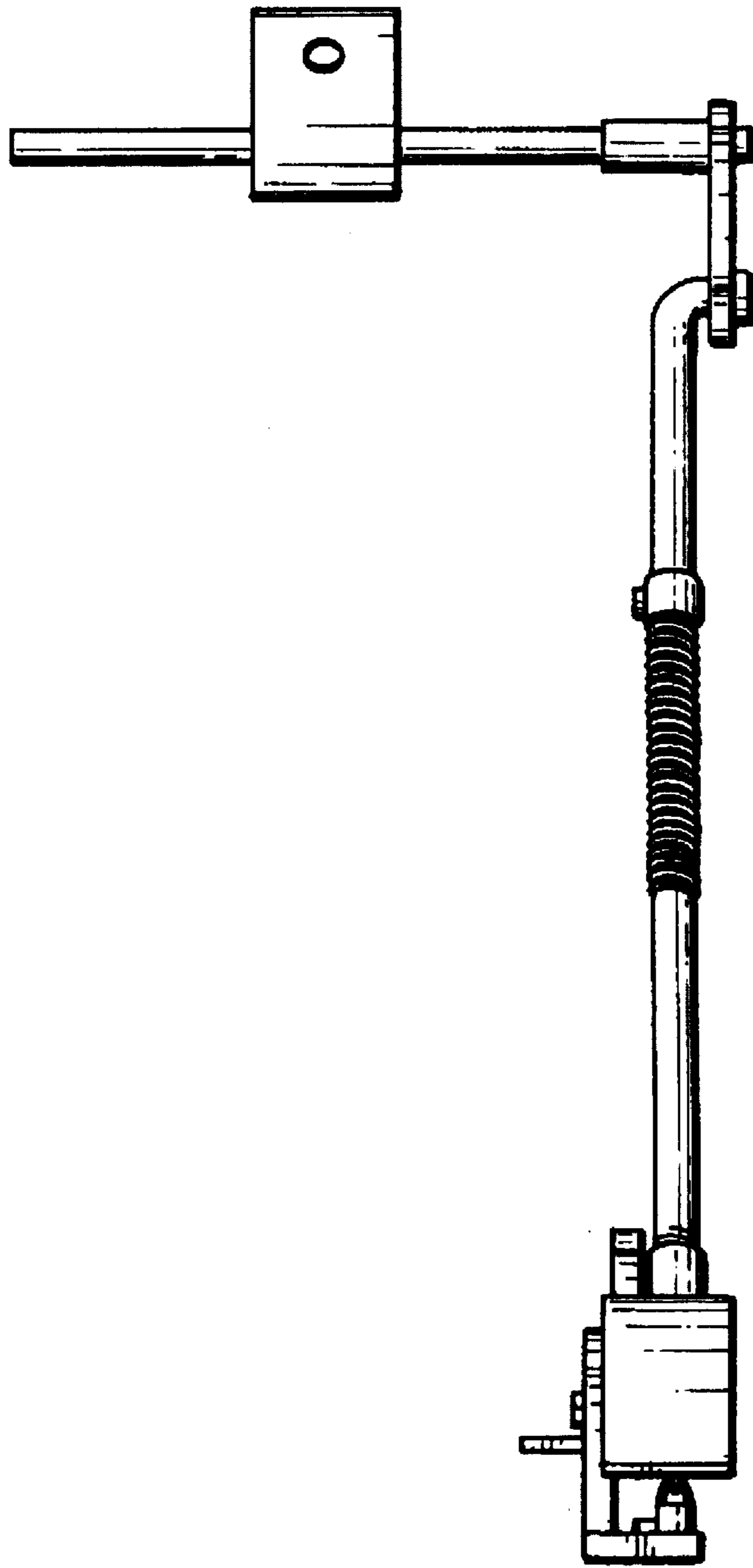


FIG. 2

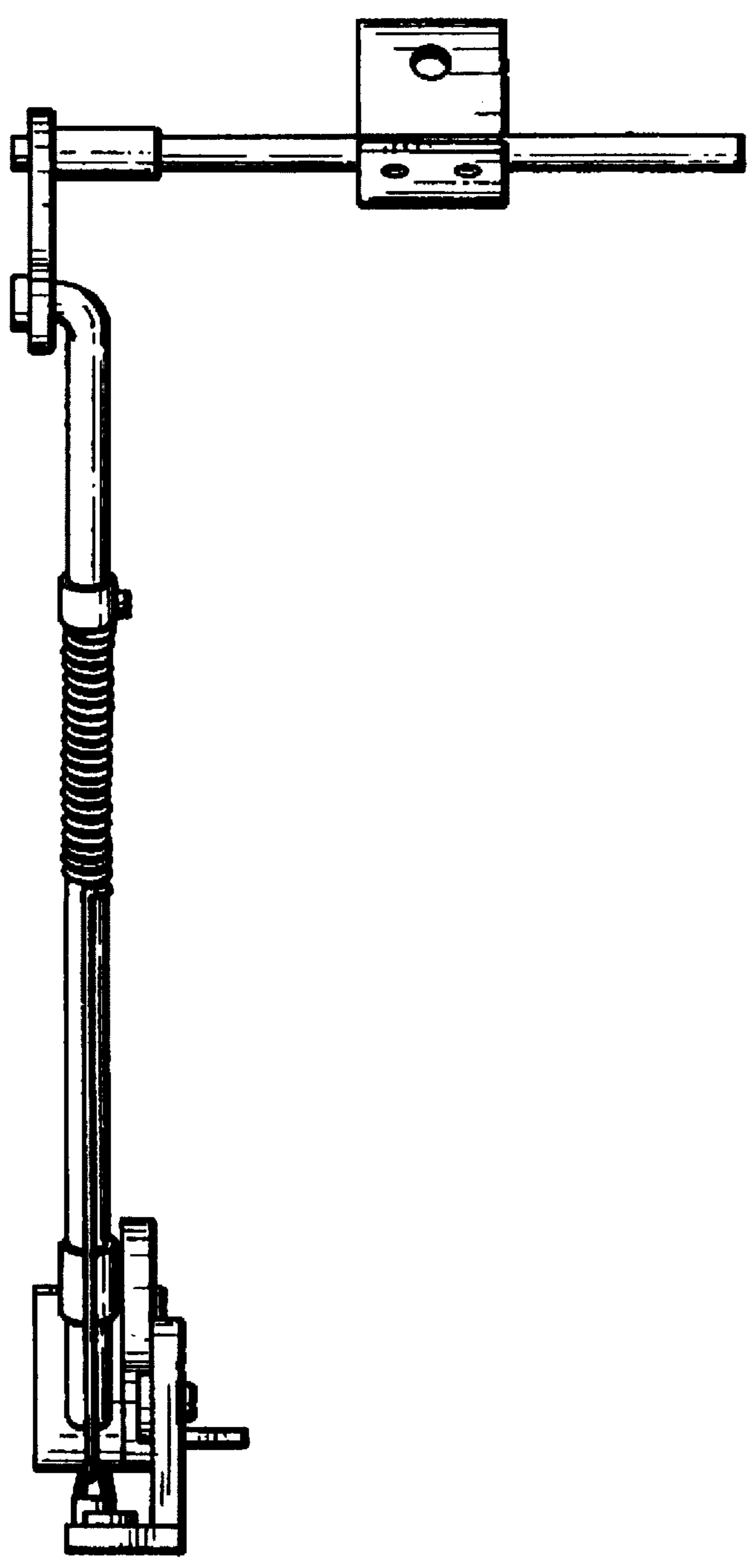


FIG. 3

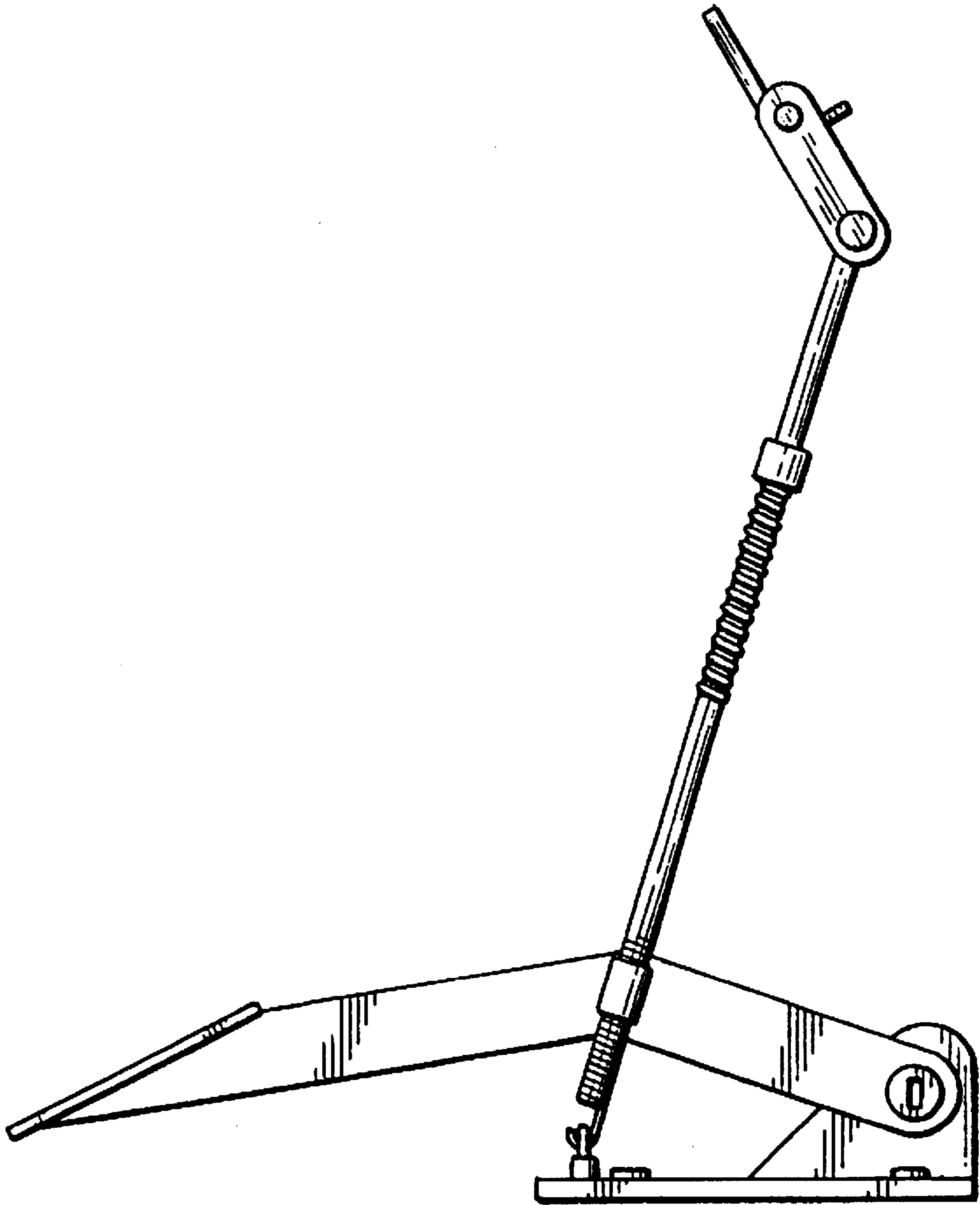


FIG. 4

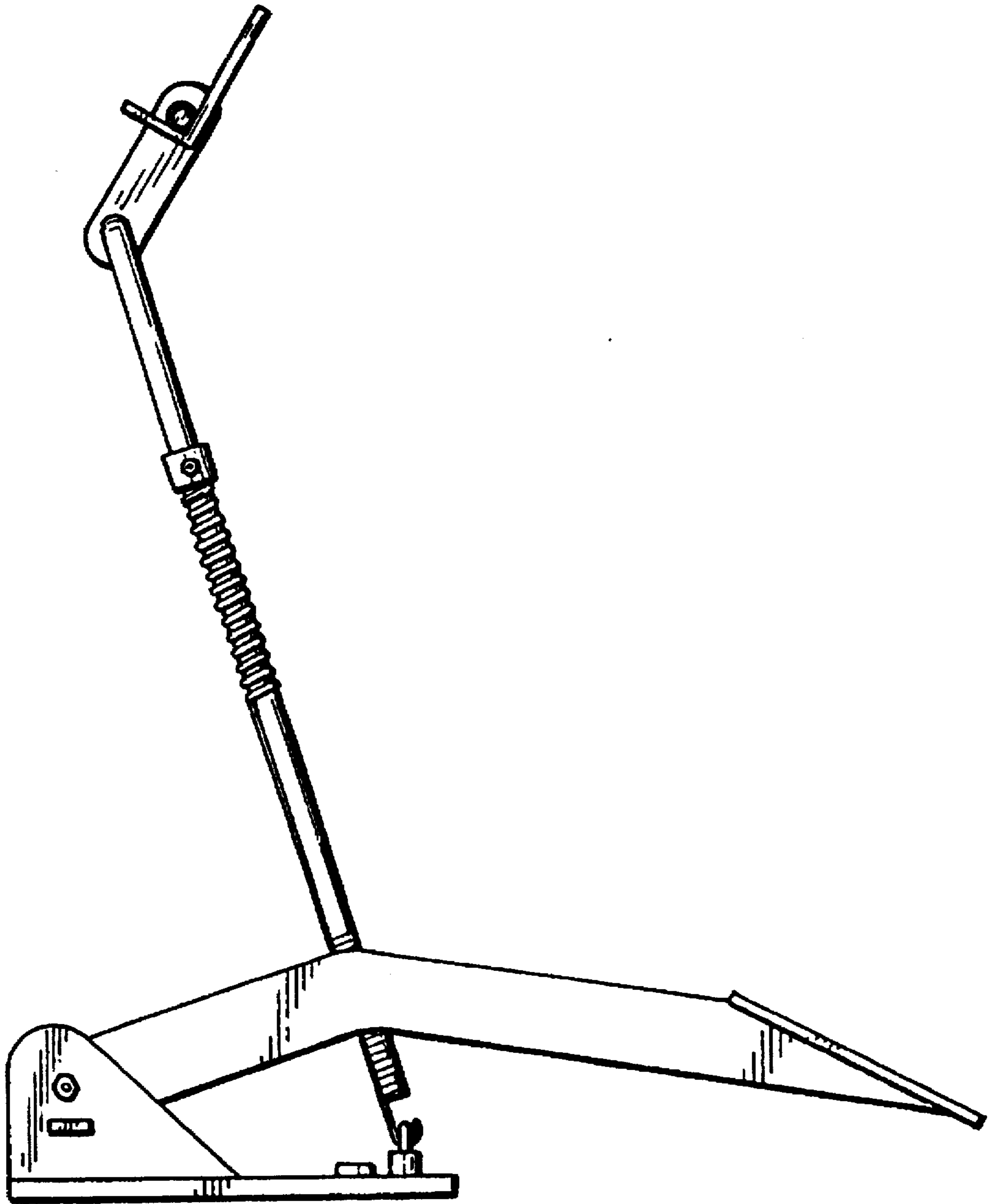


FIG. 5

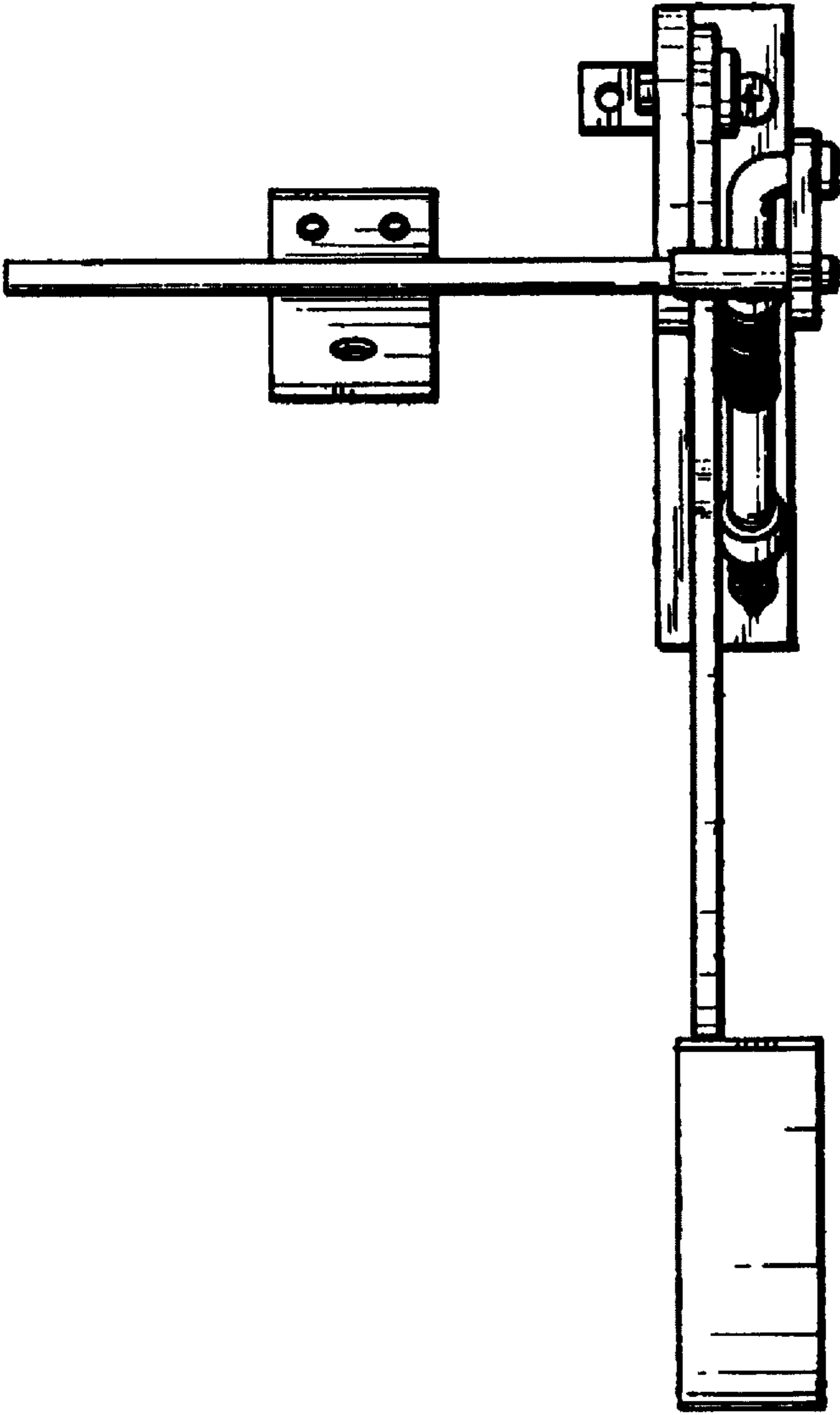


FIG. 6

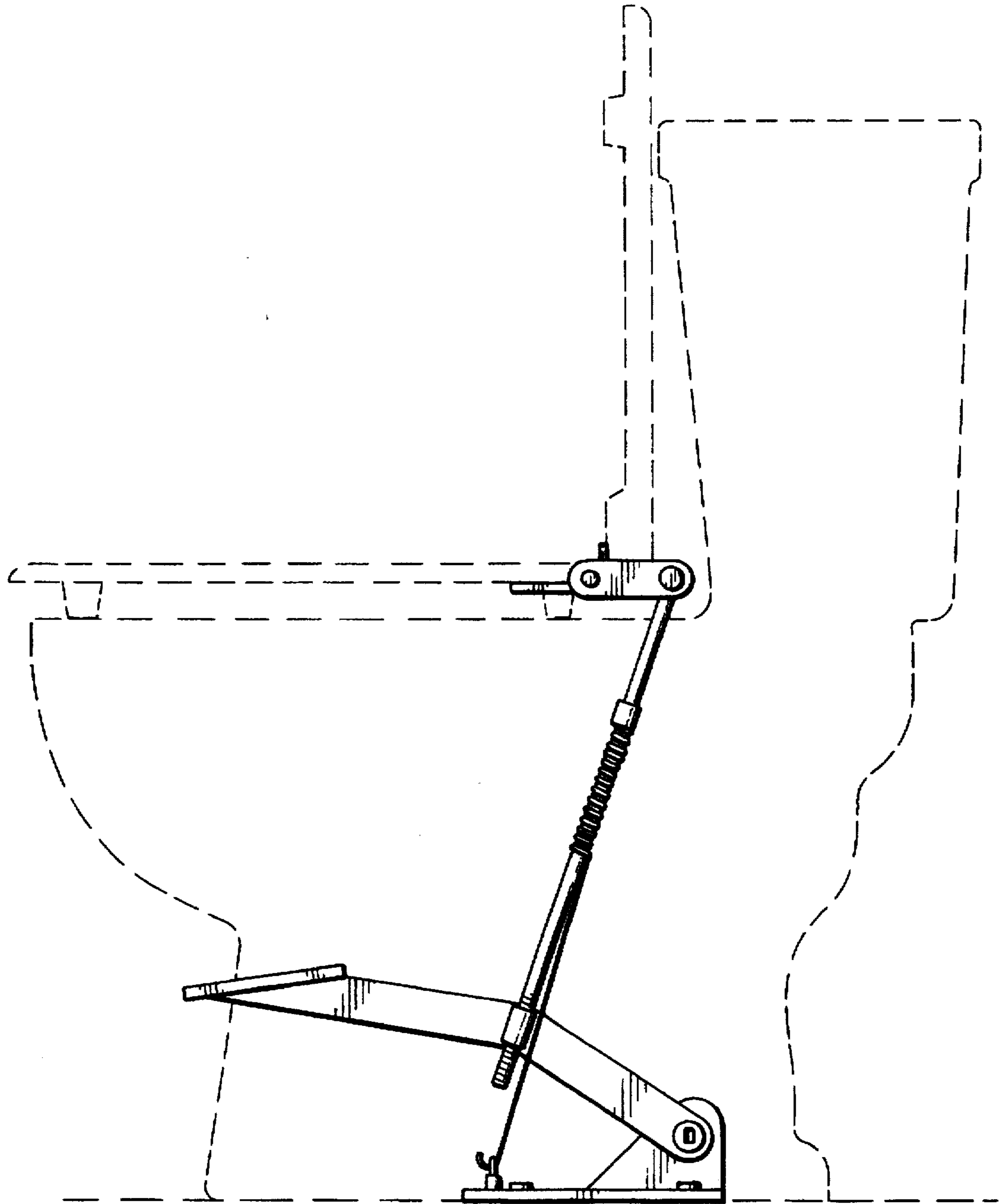


FIG. 7