



US00D389228S

# United States Patent [19]

Winterer et al.

[11] Patent Number: **Des. 389,228**

[45] Date of Patent: **\*\*Jan. 13, 1998**

[54] **PINCH CLIP OCCLUDER**

[75] Inventors: **Sean Winterer; Chris Dumas; Michael Child; David J. McNally**, all of Salt Lake City, Utah

[73] Assignee: **Zevex, Inc.**, Salt Lake City, Utah

[\*\*] Term: **14 Years**

4,624,663 11/1986 Danby et al. .  
 4,634,092 1/1987 Daniell et al. .  
 4,728,324 3/1988 Steigerwald et al. .  
 4,787,406 11/1988 Edwards et al. .... 251/8 X  
 4,960,259 10/1990 Sunnavader et al. .  
 5,238,218 8/1993 Mackal .  
 5,254,083 10/1993 Gentelia et al. .... 251/7 X  
 5,351,932 10/1994 Von Herrmann ..... 251/8 X

[21] Appl. No.: **51,903**

[22] Filed: **Mar. 19, 1996**

*Primary Examiner*—Sandra L. Morris  
*Assistant Examiner*—C. Tuttle  
*Attorney, Agent, or Firm*—Thorpe North & Western, LLP

[51] **LOC (6) Cl.** ..... **23-01**

[52] **U.S. Cl.** ..... **D23/245; D23/248; D23/265**

[58] **Field of Search** ..... **D23/233, 237, D23/245, 248, 265; D24/110.4, 110.6, 113, 127-129; 604/245, 246, 250, 256; 251/7, 8**

[57] **CLAIM**

The ornamental design for a pinch clip occluder, as shown and described.

[56] **References Cited**

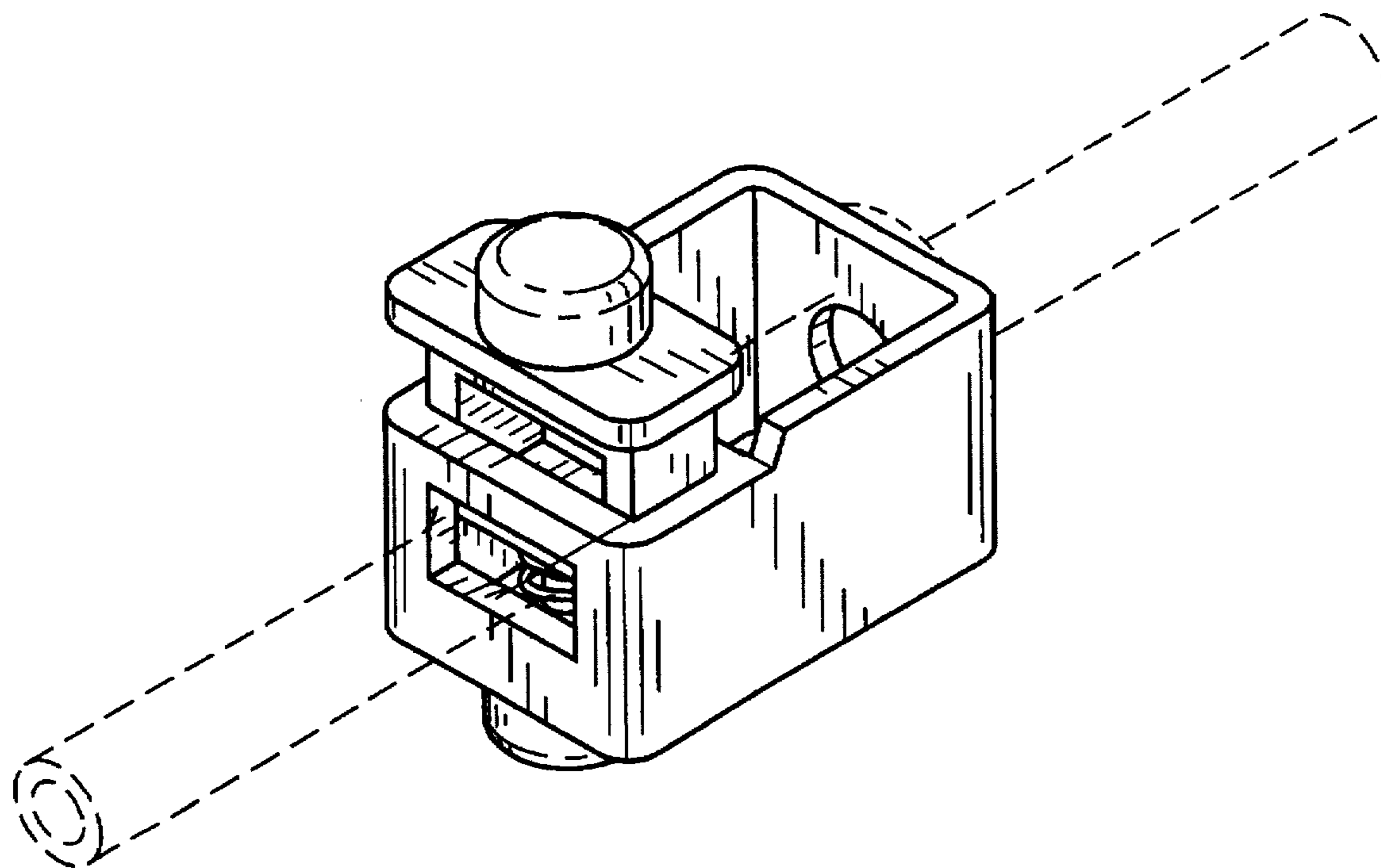
**U.S. PATENT DOCUMENTS**

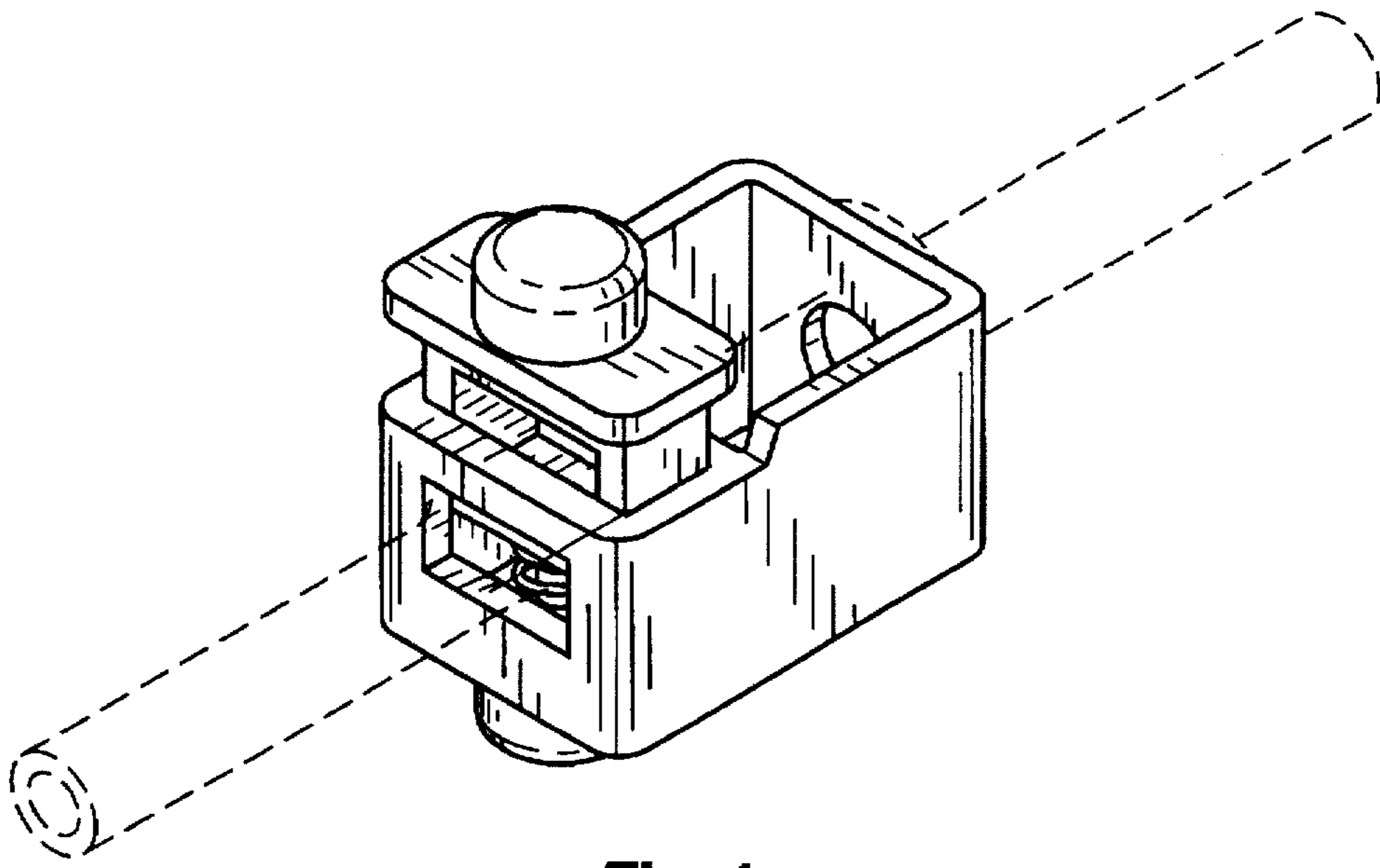
### DESCRIPTION

|            |         |                 |       |         |
|------------|---------|-----------------|-------|---------|
| D. 208,753 | 9/1967  | Curry           | ..... | D23/245 |
| 1,238,521  | 8/1917  | Janish, Jr.     | ..... | 251/7   |
| 2,471,623  | 5/1949  | Hubbell         | ..... | 251/7 X |
| 3,213,882  | 10/1965 | Beatty          | .     |         |
| 3,329,391  | 7/1967  | Deane'          | .     |         |
| 3,497,175  | 2/1970  | Koland          | ..... | 251/8 X |
| 3,998,364  | 12/1976 | Hollander       | .     |         |
| 4,230,151  | 10/1980 | Jonsson         | .     |         |
| 4,382,453  | 5/1983  | Bujan et al.    | .     |         |
| 4,453,295  | 6/1984  | Laszower        | .     |         |
| 4,524,802  | 6/1985  | Lawrence et al. | .     |         |
| 4,559,045  | 12/1985 | Danby et al.    | .     |         |

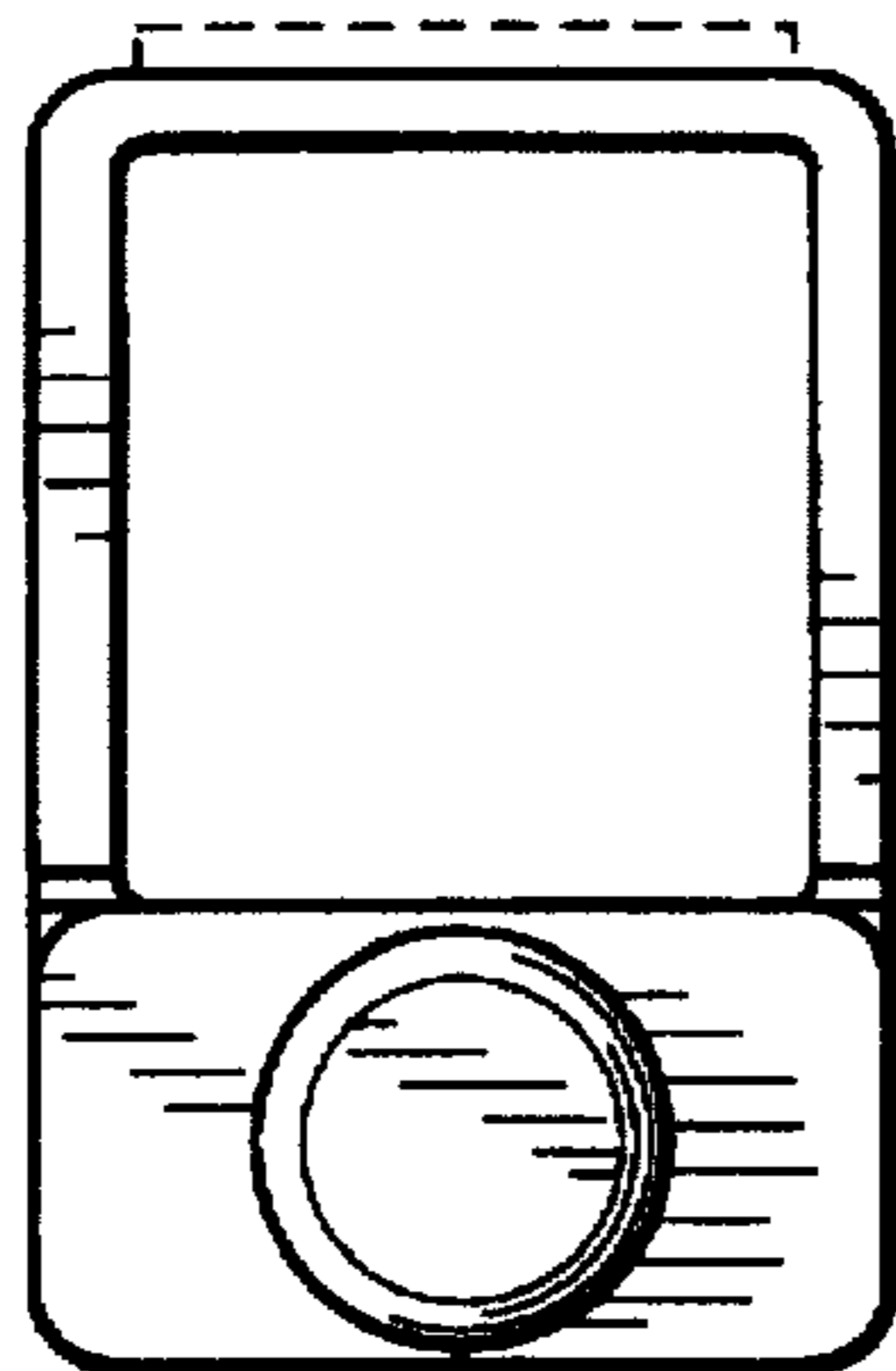
FIG. 1 is a perspective view of a pinch clip occluder showing our new design;  
 FIG. 2 is a top plan view thereof;  
 FIG. 3 is a right side view (the left side being a mirror image thereof);  
 FIG. 4 is a front end view shown in a closed position; and  
 FIG. 5 is a front end view shown in an open position.  
 The broken lines showing the tube and the structure on the back end are for illustrative purposes only and form no part of the claimed design. The portions of the inside surfaces which are not visible follow the contour of the structure defining each inside surface. The undisclosed portions of the bottom, back end and inner coil element form no part of the claimed design.

**1 Claim, 1 Drawing Sheet**

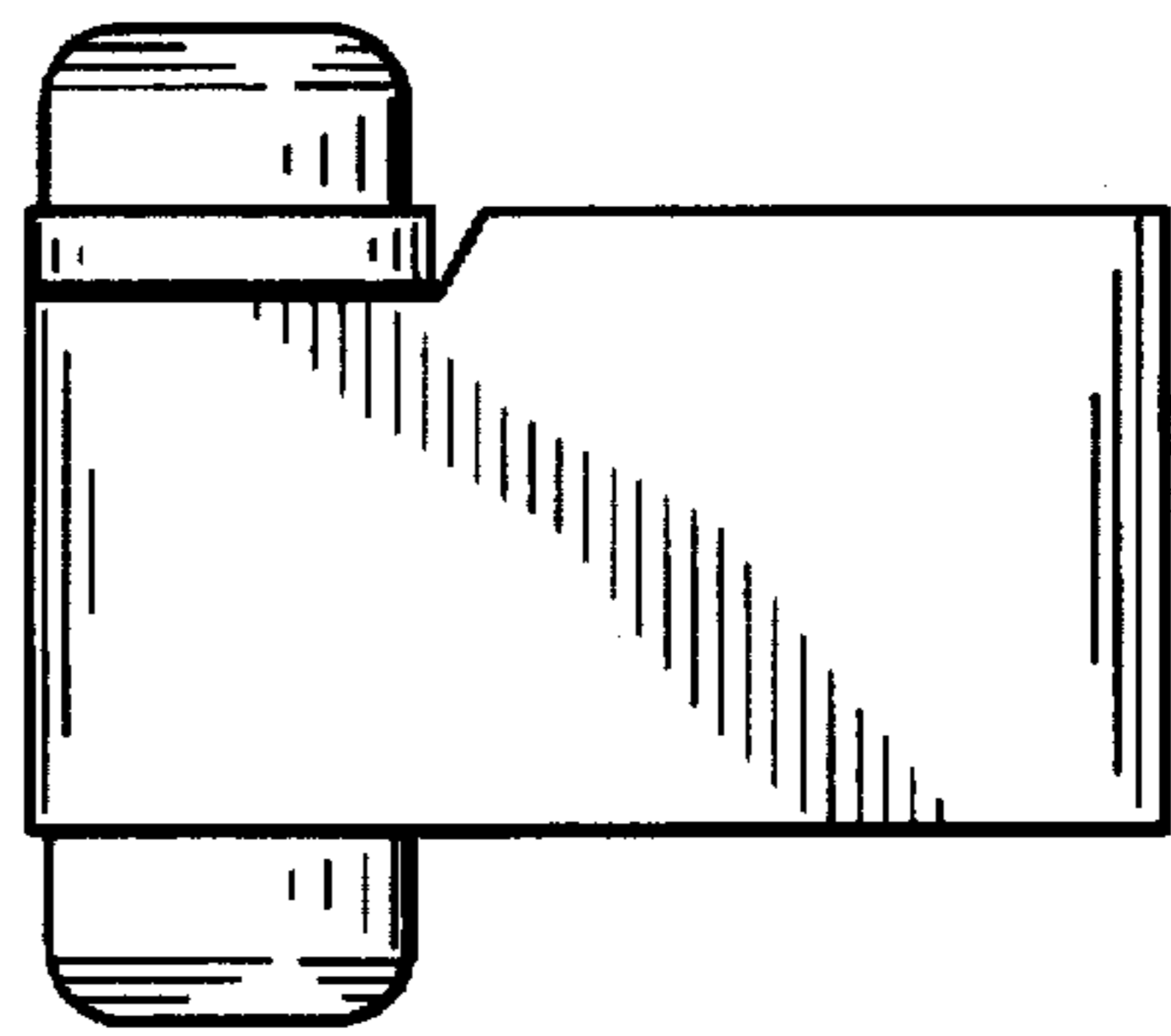




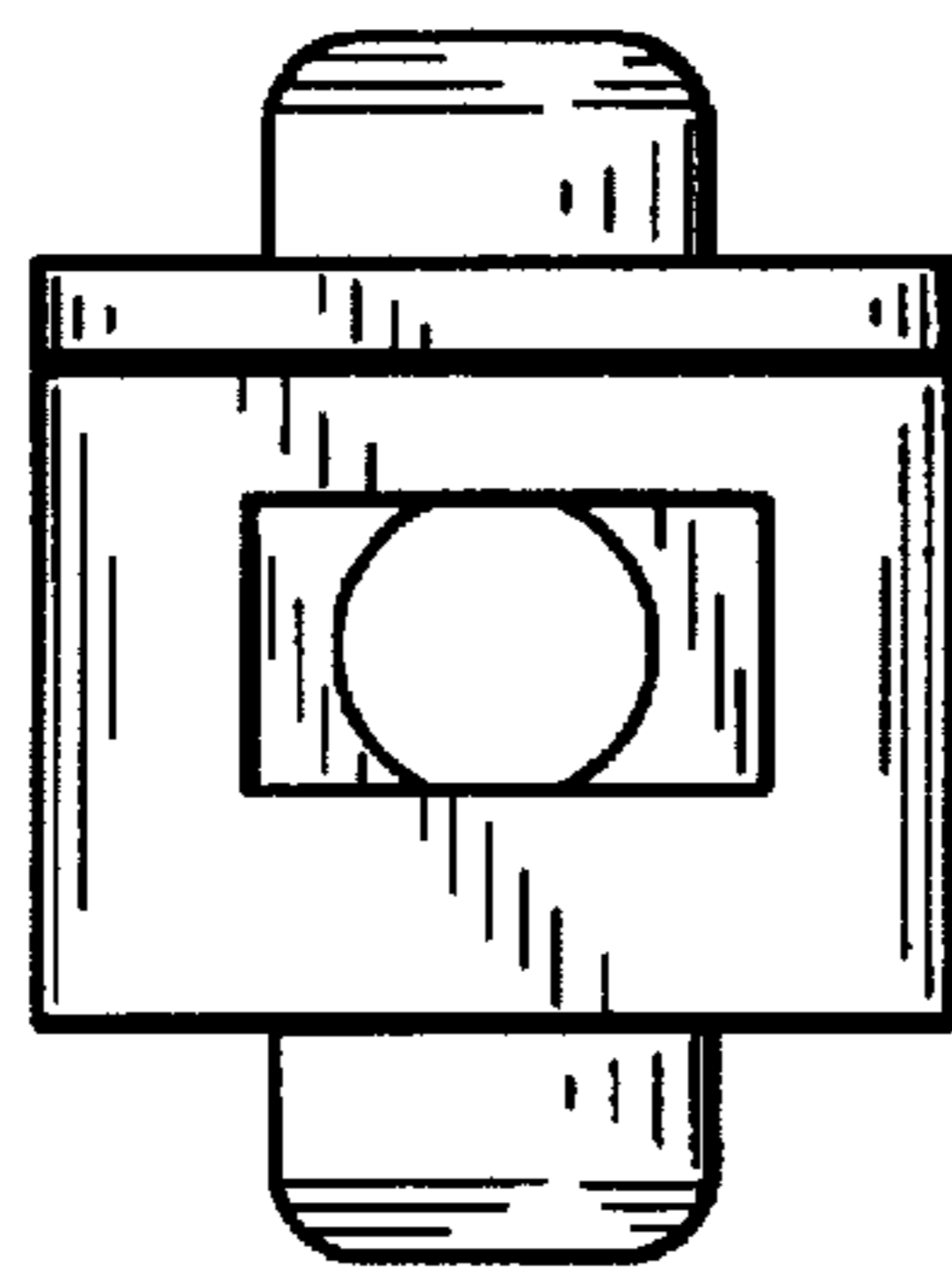
**Fig. 1**



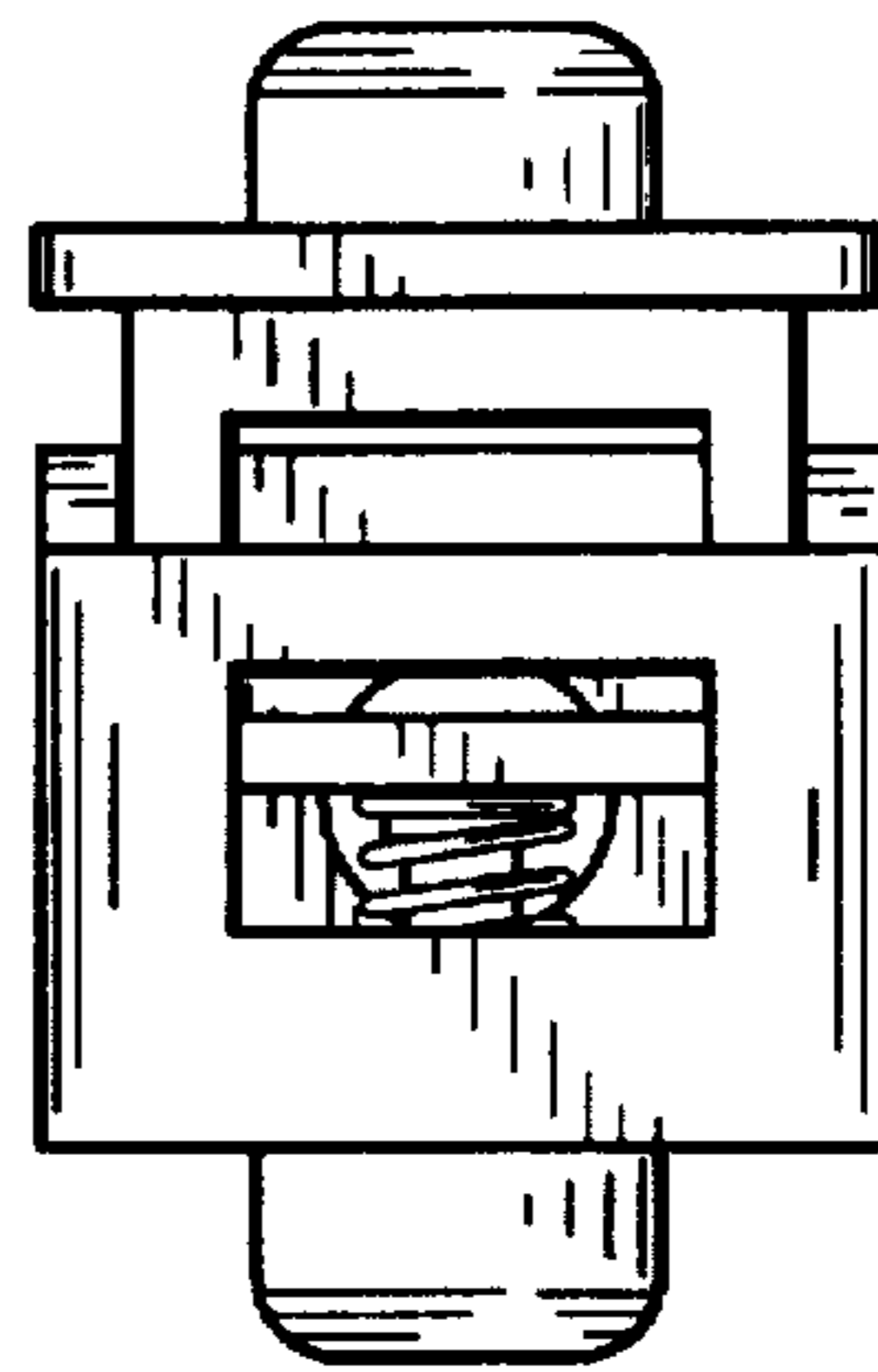
**Fig. 2**



**Fig. 3**



**Fig. 4**



**Fig. 5**