

US00D389227S

# United States Patent [19]

Bauer et al.

[11] Patent Number: **Des. 389,227**

[45] Date of Patent: **\*\*Jan. 13, 1998**

[54] **FAUCET BODY**

[75] Inventors: **Witold Bauer, Westlake; Mark Sindelar, Shaker Heights, both of Ohio**

[73] Assignee: **Moen Incorporated, North Olmsted, Ohio**

[\*\*] Term: **14 Years**

[21] Appl. No.: **63,786**

[22] Filed: **Dec. 16, 1996**

[51] LOC (6) Cl. .... **23-01**

[52] U.S. Cl. .... **D23/238**

[58] Field of Search ..... **D23/238-243, D23/250-257; 4/675-678; 137/801**

[56] **References Cited**

**U.S. PATENT DOCUMENTS**

- D. 301,162 5/1989 Obernörher ..... D23/238
- D. 304,491 11/1989 Reinecke ..... D23/255

- D. 348,510 7/1994 Gottwald ..... D23/257
- D. 350,590 9/1994 Rischer ..... D23/238
- D. 361,826 8/1995 Mile ..... D23/238

*Primary Examiner*—Louis S. Zarfes  
*Assistant Examiner*—Eric Watterson  
*Attorney, Agent, or Firm*—Dorn, McEachran, Jambor & Keating

[57] **CLAIM**

The ornamental design for a faucet body, as shown and described.

**DESCRIPTION**

FIG. 1 is a left side view of a faucet body showing our new design, the right side being a mirror image of the left side; FIG. 2 is a top view thereof; FIG. 3 is a front view thereof; FIG. 4 is a rear view thereof; FIG. 5 is a top perspective view thereof; and, FIG. 6 is a bottom perspective view thereof.

**1 Claim, 2 Drawing Sheets**

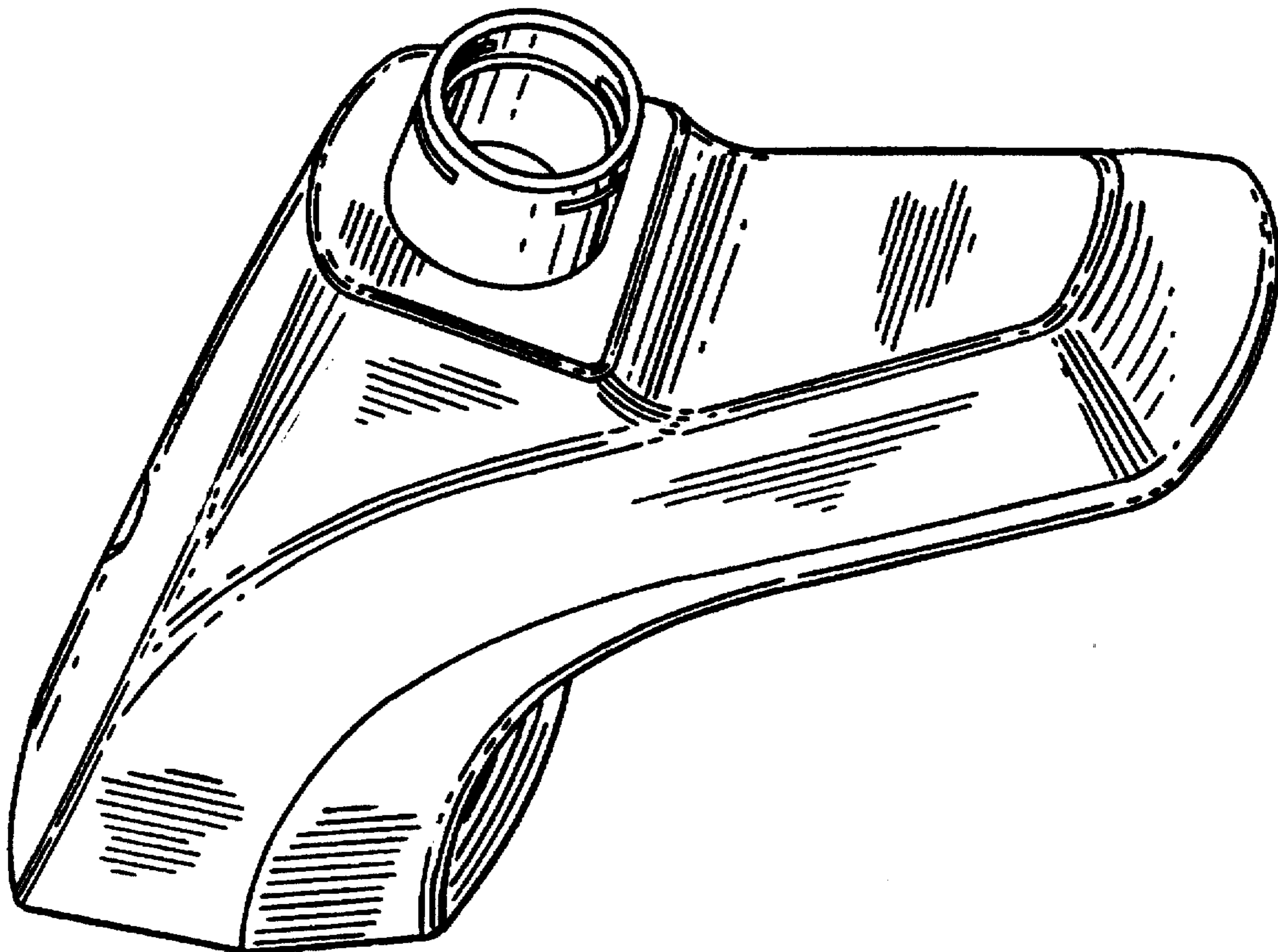


FIG. 1.

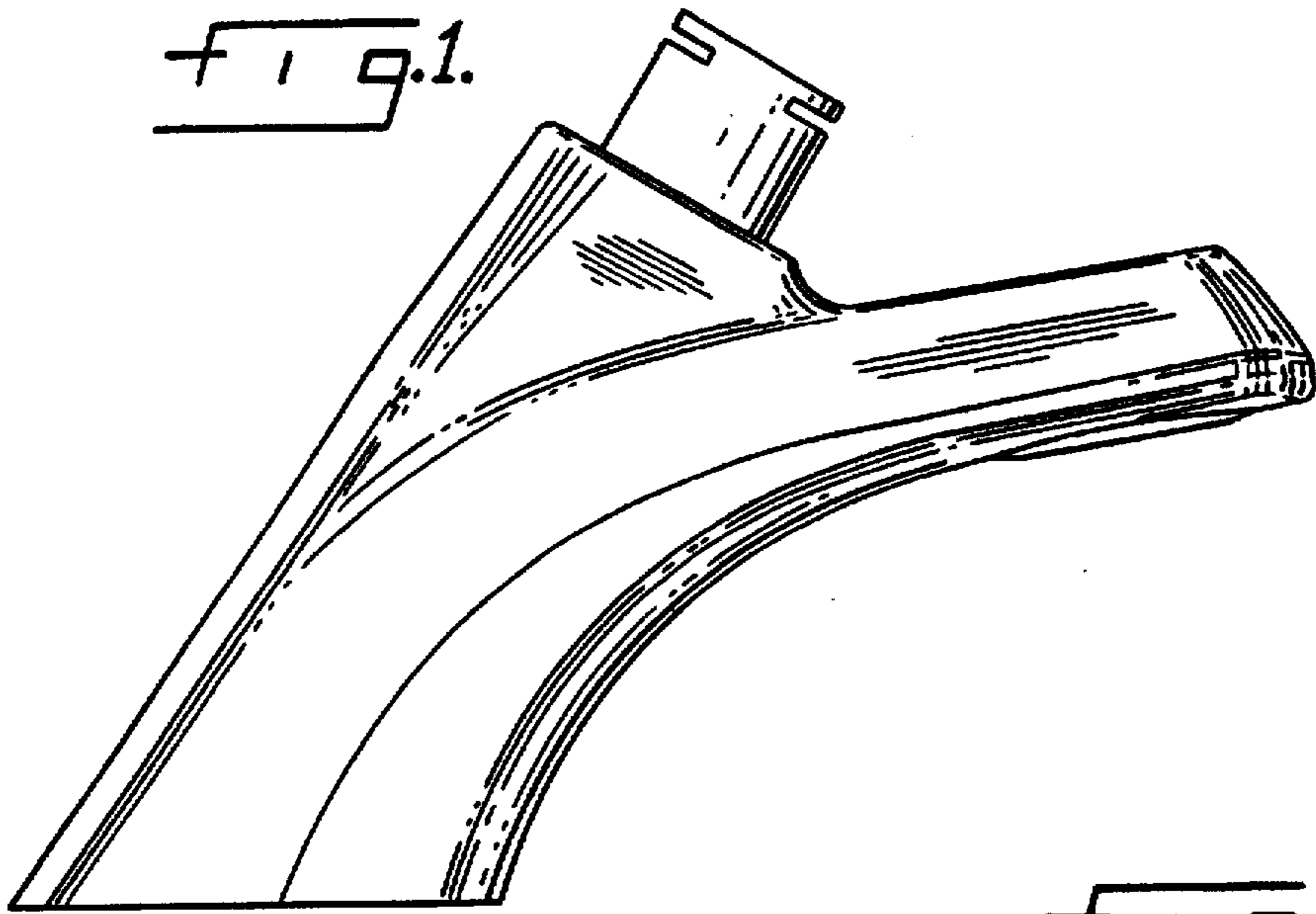


FIG. 2.

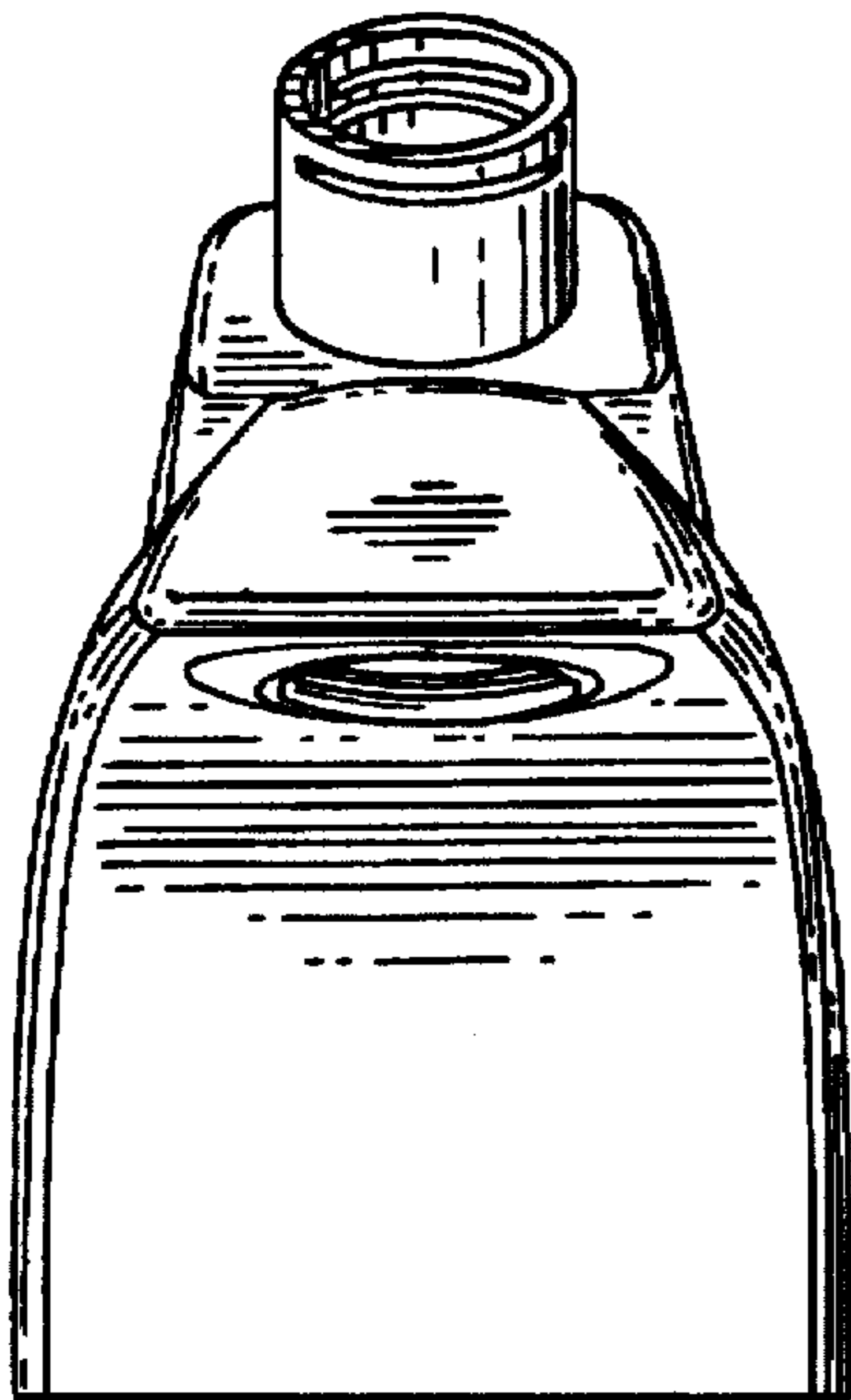
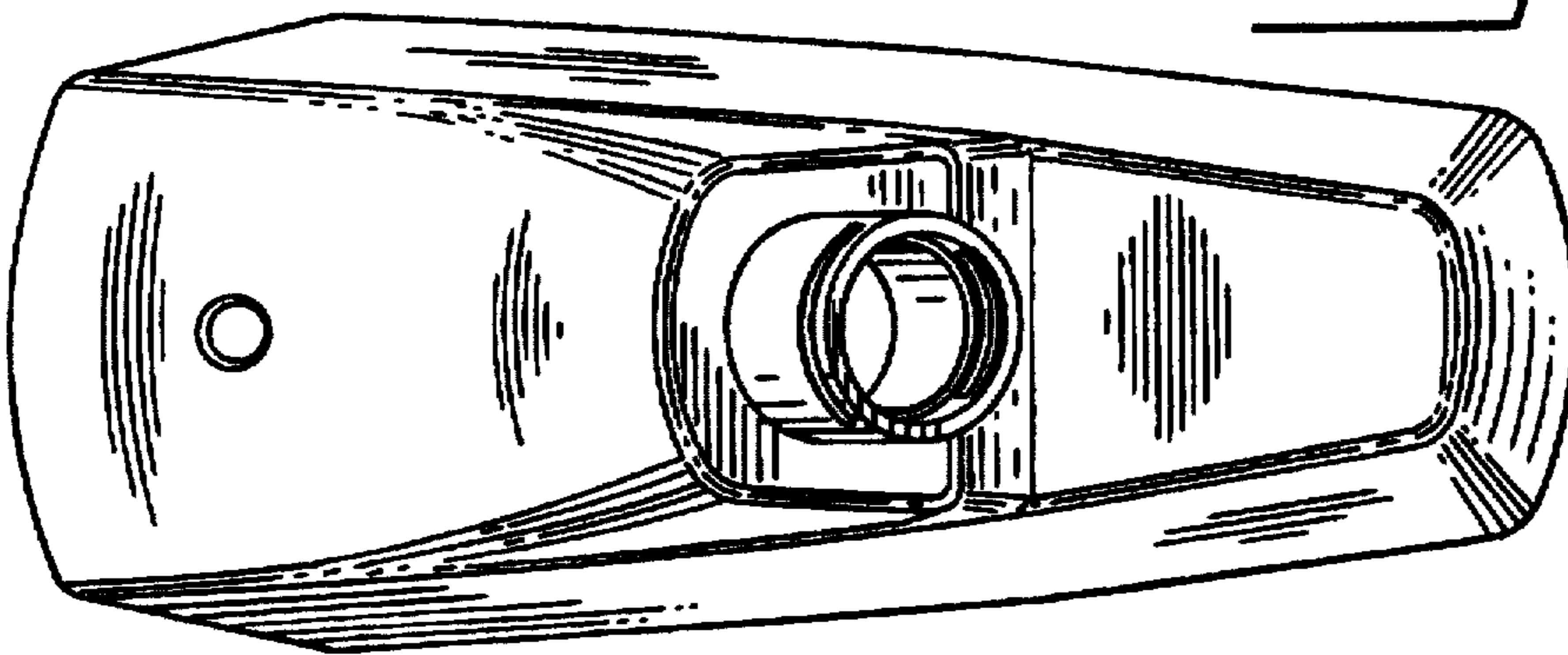


FIG. 3.

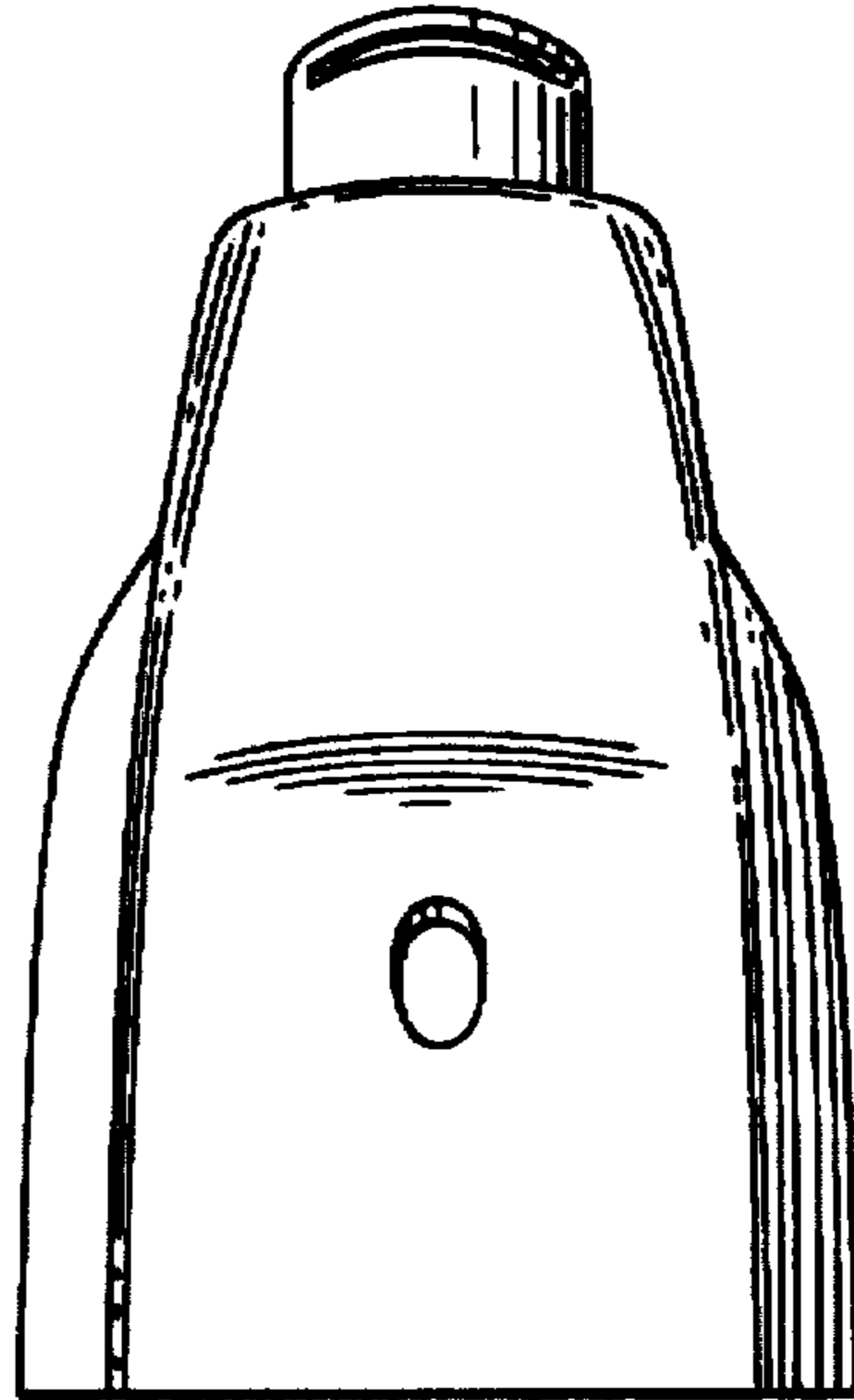


FIG. 4.

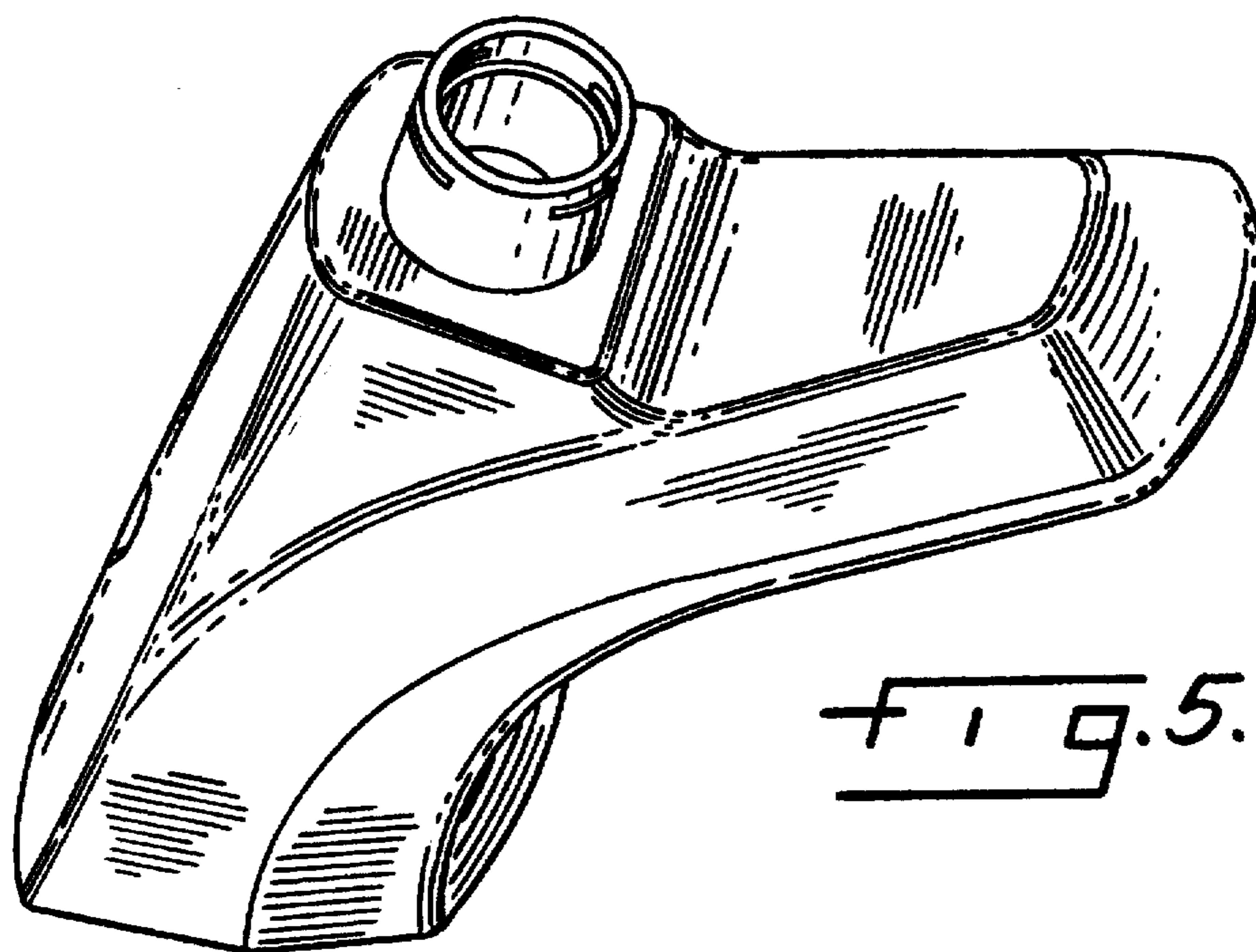


FIG. 5.

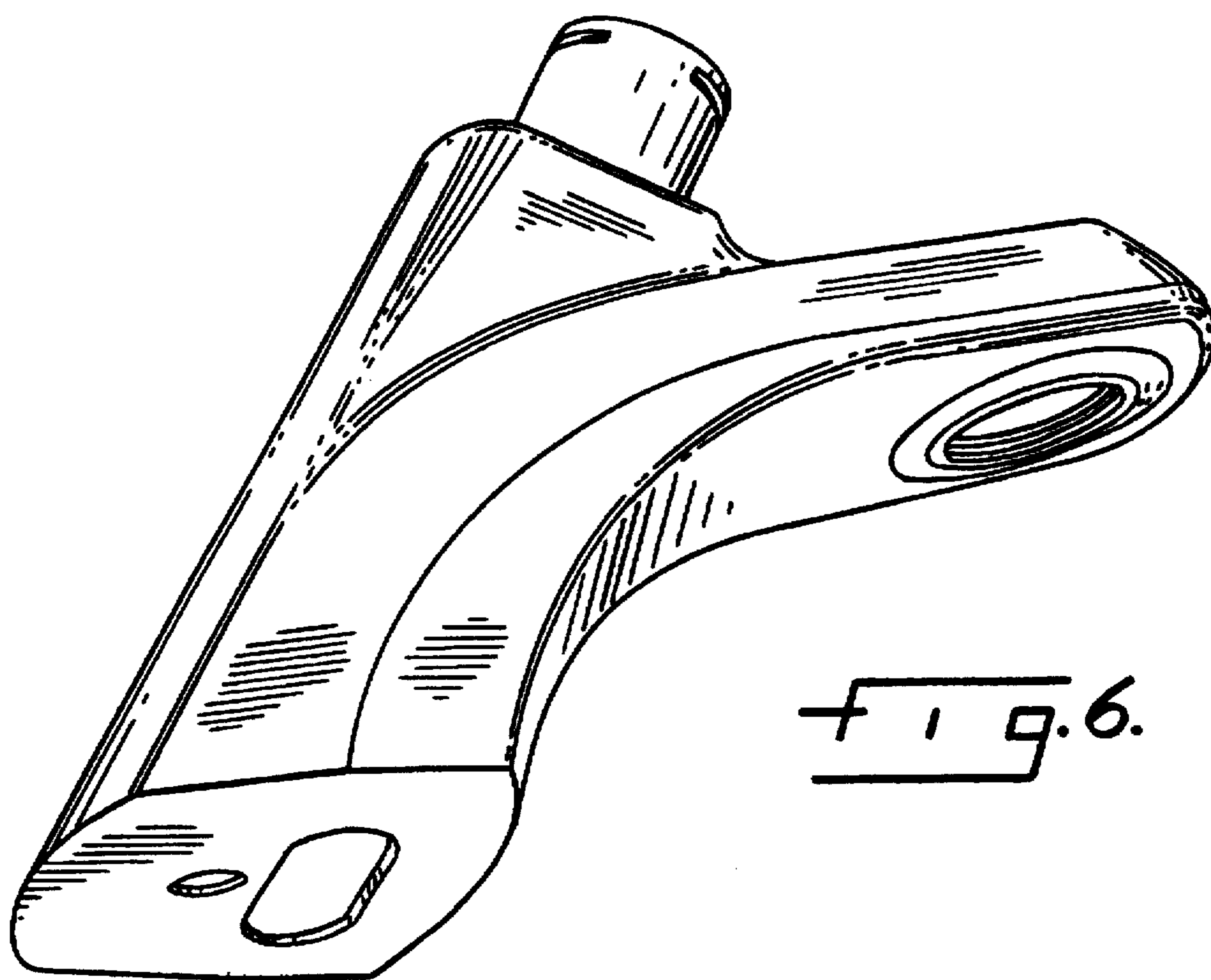


FIG. 6.