



US00D389226S

United States Patent [19]

Wellstein

[11] Patent Number: **Des. 389,226**

[45] Date of Patent: ****Jan. 13, 1998**

[54] **SIPHON FOR REMOVING CONTENTS OF A CONTAINER**

[76] Inventor: **Wayne B. Wellstein**, 2219 Ninth St., Menomonie, Wis. 54751

[**] Term: **14 Years**

[21] Appl. No.: **39,542**

[22] Filed: **May 26, 1995**

[51] LOC (6) Cl. **15-02**

[52] U.S. Cl. **D23/231; D15/150**

[58] **Field of Search** D15/150; D9/199, D9/532; D23/200, 231, 262; D32/53; 52/12, 199, 302.1; 137/124, 130, 132, 140, 142, 150, 143, 152, 403; 210/163, 166, 169, 232, 248; 222/416

[56] **References Cited**

U.S. PATENT DOCUMENTS

- D. 317,970 7/1991 Yen D23/231
- D. 338,372 8/1993 Geneste D7/398

- D. 342,957 1/1994 George D23/262 X
- D. 343,443 1/1994 Gadberry D23/231
- 2,681,072 6/1954 Pasanen 137/150
- 3,588,293 6/1971 Morales 137/150 X
- 4,023,305 5/1977 Harschel 137/150 X
- 5,333,639 8/1994 Nelson 137/150

Primary Examiner—Antoine Duval Davis

[57] **CLAIM**

The ornamental design of a siphon for removing contents of a container, as shown and described.

DESCRIPTION

FIG. 1 is a perspective view of a siphon for removing contents of a container showing my design;
 FIG. 2 is a right side elevational view thereof, the left side elevational view being a mirror image of FIG. 2;
 FIG. 3 is a top plan view thereof;
 FIG. 4 is a bottom plan view thereof;
 FIG. 5 is a front elevational view thereof; and,
 FIG. 6 is a rear elevational view thereof.

1 Claim, 2 Drawing Sheets

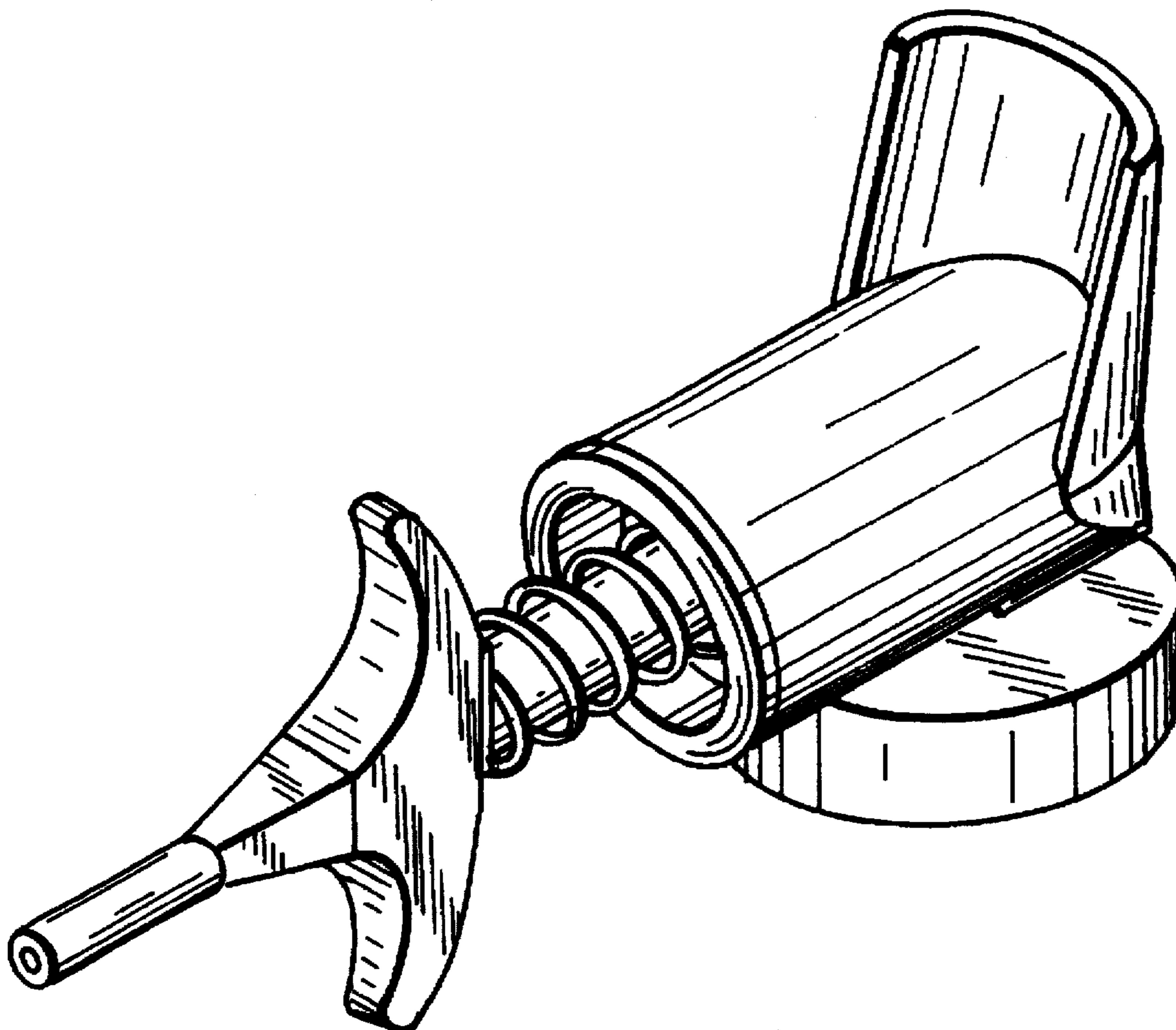


FIG. 1

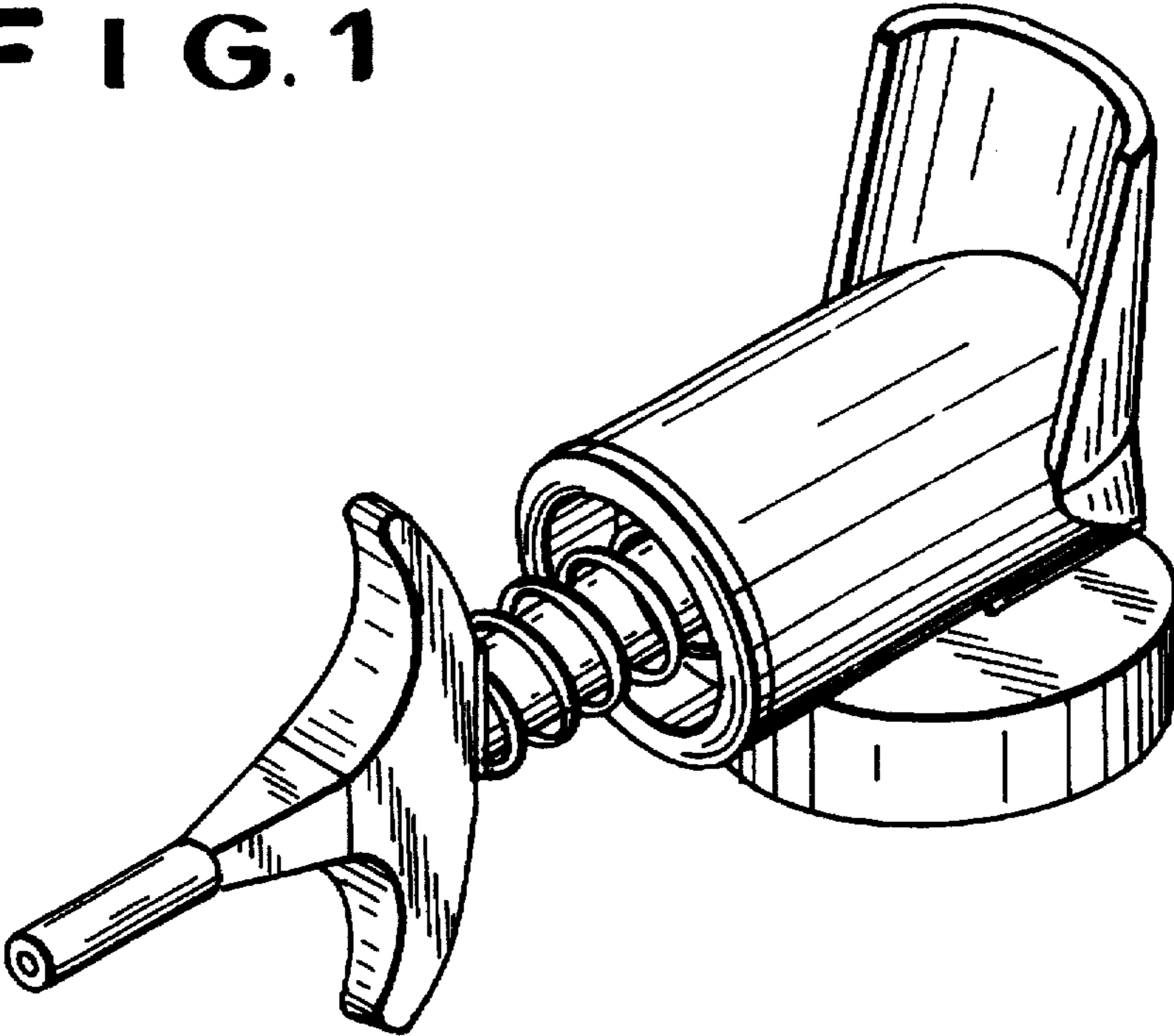


FIG. 2

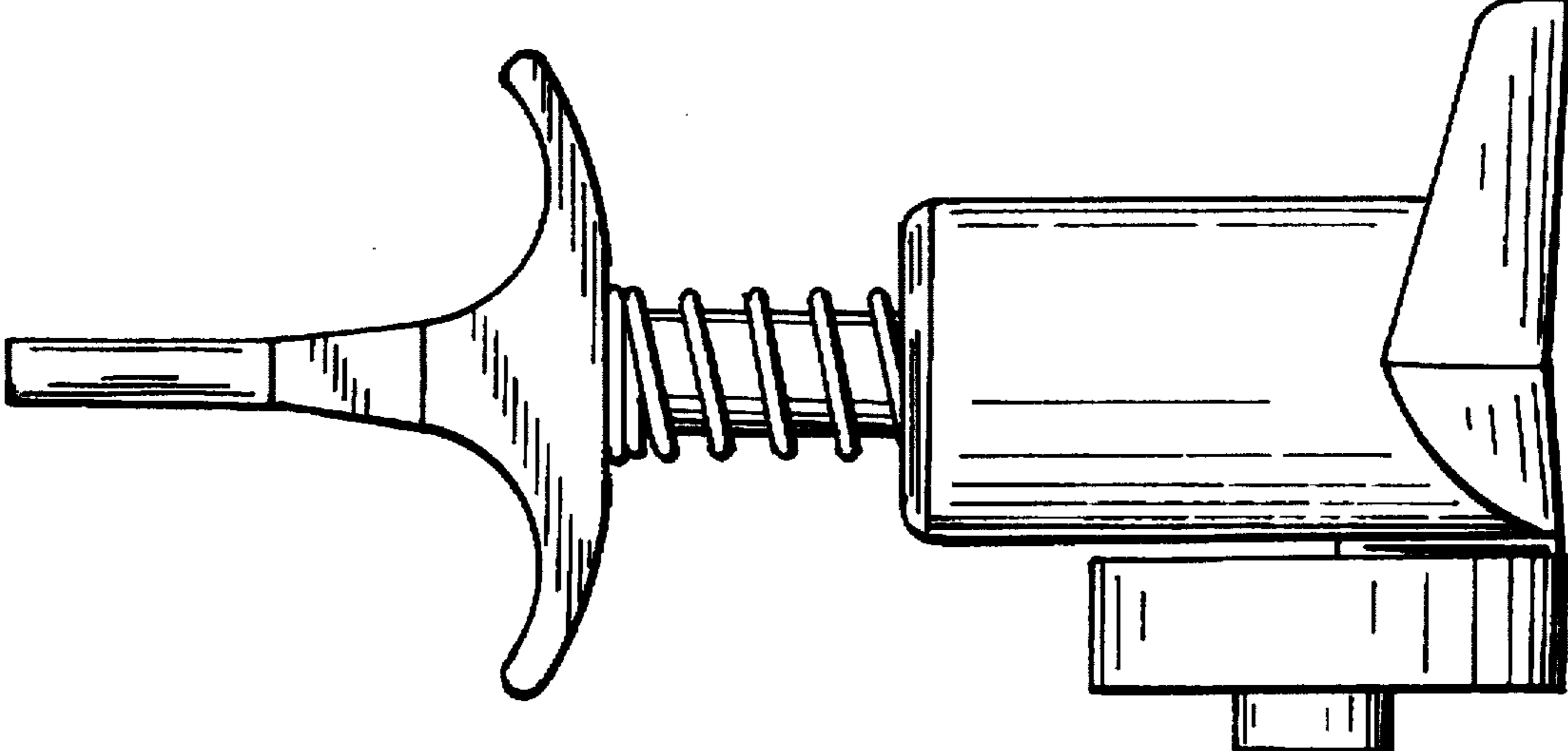


FIG. 3

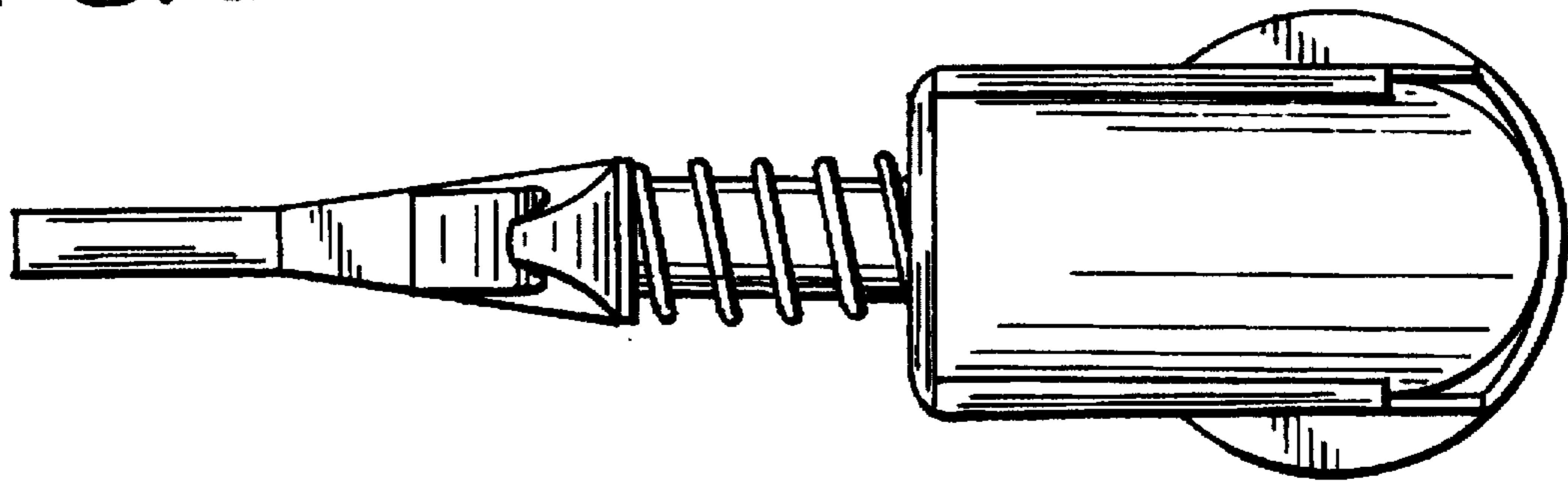


FIG. 4

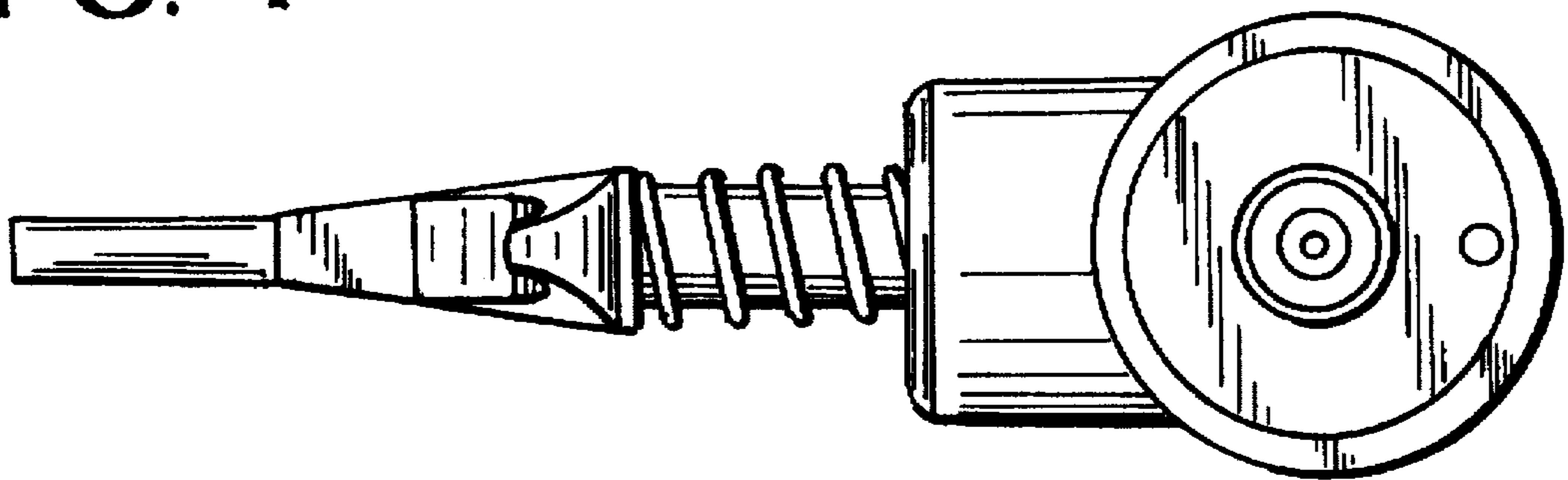


FIG. 5

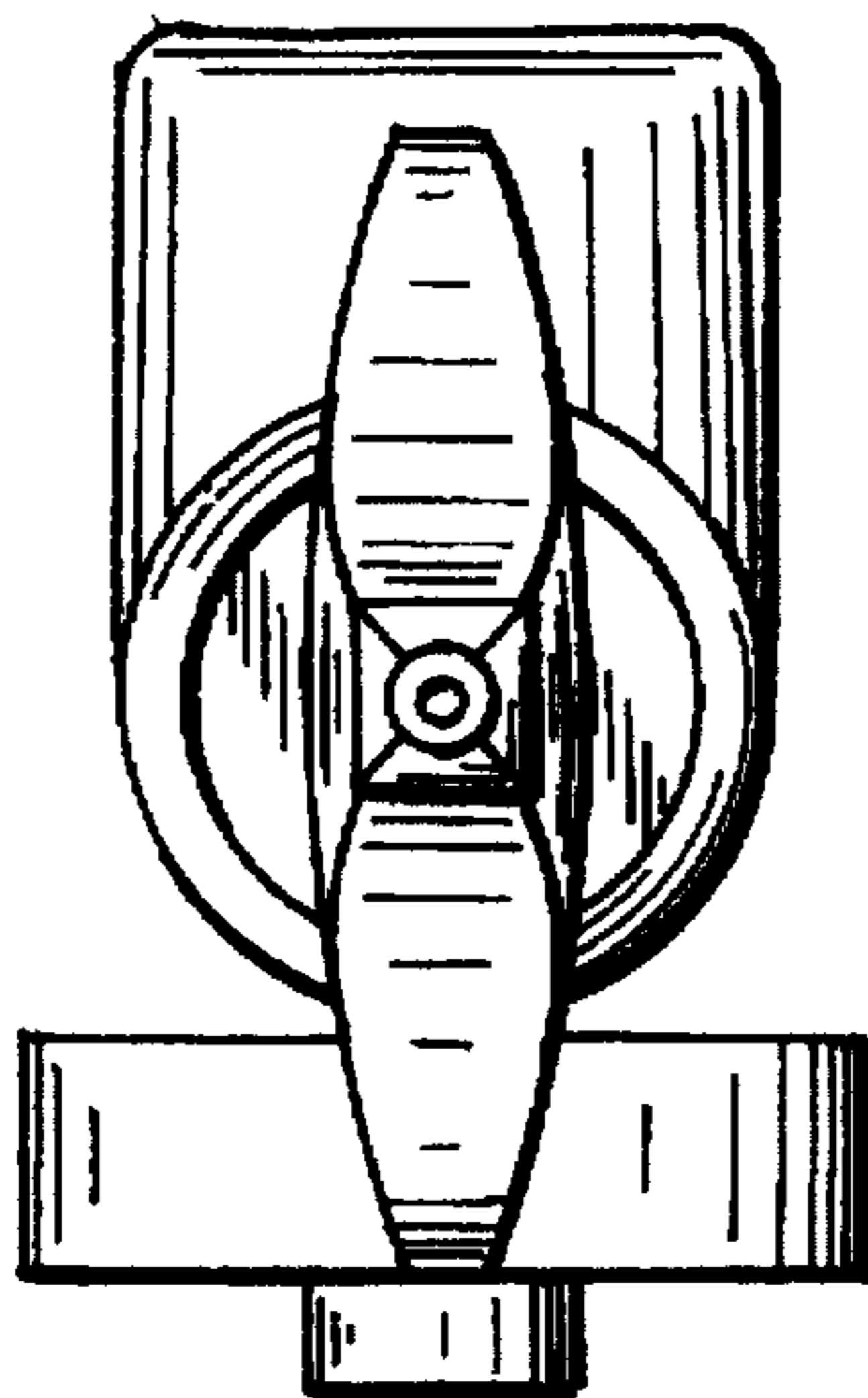


FIG. 6

