



US00D389225S

United States Patent [19] Coleman

[11] Patent Number: **Des. 389,225**

[45] Date of Patent: ****Jan. 13, 1998**

[54] **WATER FOUNTAIN**

[76] Inventor: **James D. Coleman**, 73 Hawthorne Street, Totterdown, Bristol, United Kingdom

[**] Term: **14 Years**

[21] Appl. No.: **63,055**

[22] Filed: **Nov. 25, 1996**

[30] **Foreign Application Priority Data**

May 25, 1996 [GB] United Kingdom 2056578

[51] **LOC (6) Cl.** **23-01**

[52] **U.S. Cl.** **D23/201; D7/304**

[58] **Field of Search** **D23/200, 201; D7/304; 239/16, 17, 18, 19, 20, 21; D11/122**

[56] **References Cited**

U.S. PATENT DOCUMENTS

D. 206,214 11/1966 Erbe D23/201

D. 216,544 2/1970 Frasier et al. D23/201
D. 217,457 5/1970 Frasier et al. D23/201
D. 221,755 9/1971 Johnson D3/201
587,404 8/1897 Schoyen 239/21

Primary Examiner—Alan P. Douglas
Assistant Examiner—Robin V. Taylor
Attorney, Agent, or Firm—Beveridge, DeGrandi Weilacher & Young, LLP

[57] CLAIM

The ornamental design for a water fountain, as shown and described.

DESCRIPTION

FIG. 1 is a view of the water fountain from above and one side;

FIG. 2 is a top plan view thereof;

FIG. 3 is an end view thereof—the view from the opposite end is identical—and,

FIG. 4 is a side view thereof—the view from the opposite side is identical.

1 Claim, 3 Drawing Sheets

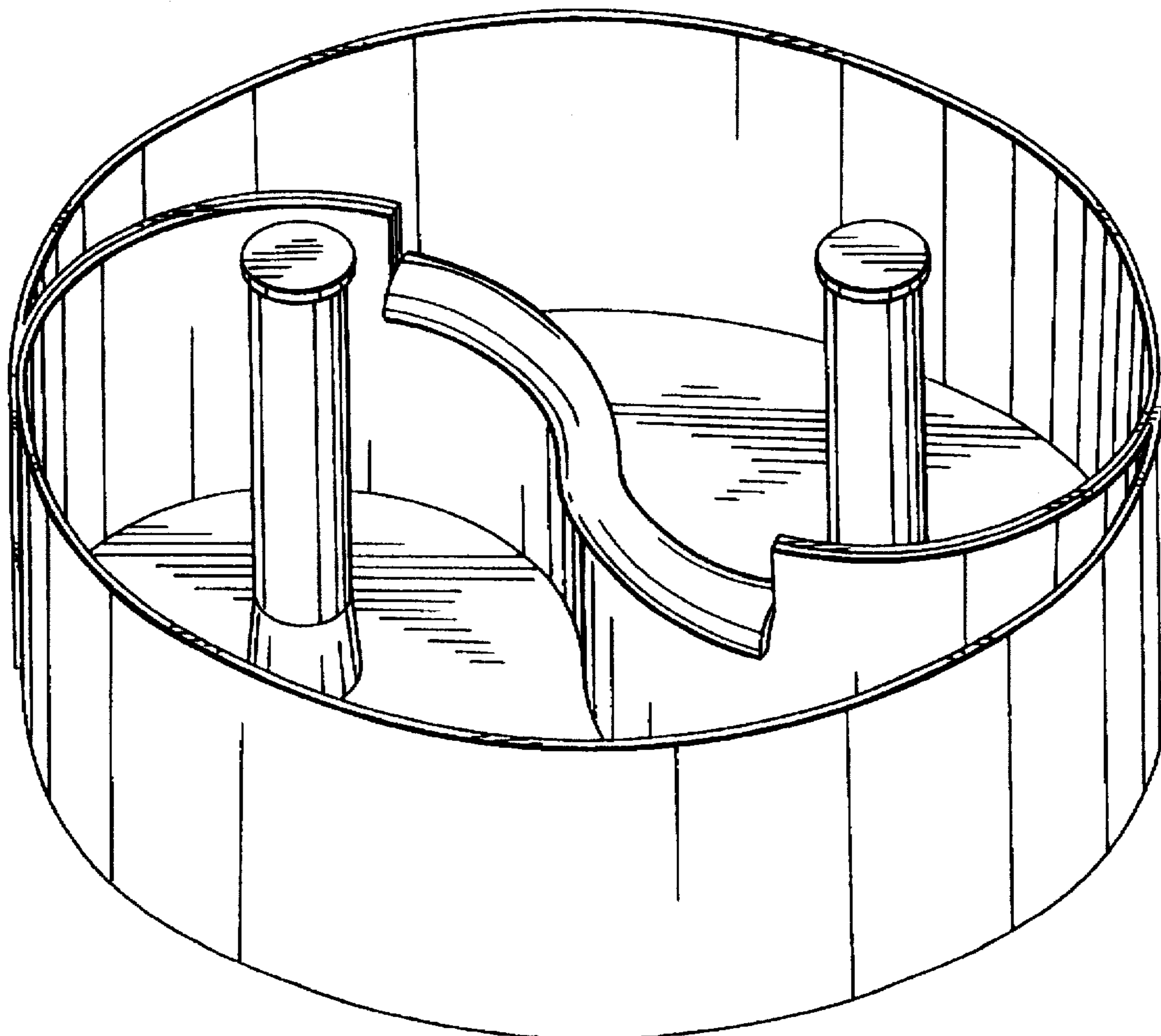


FIG. 1

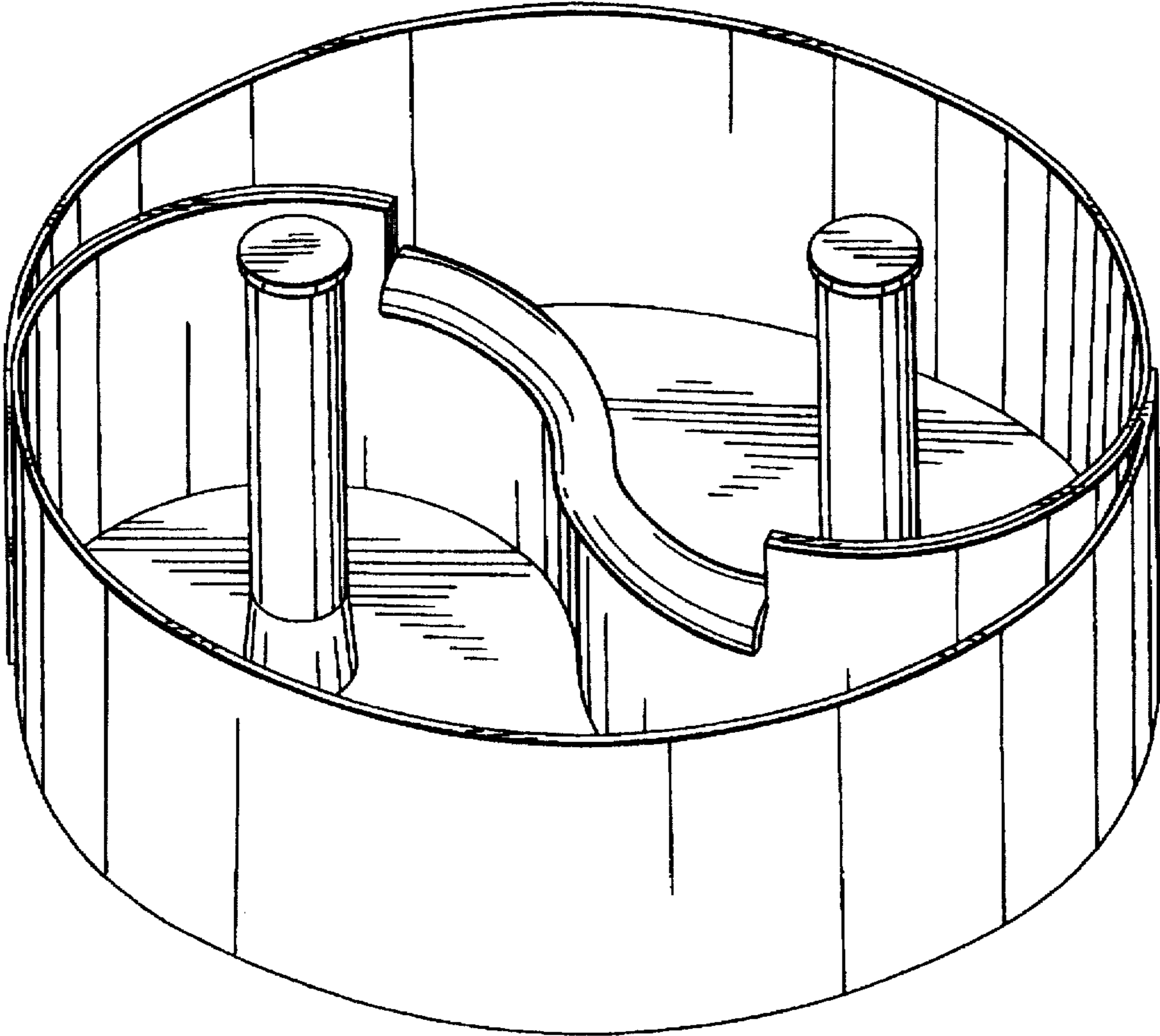


FIG. 2

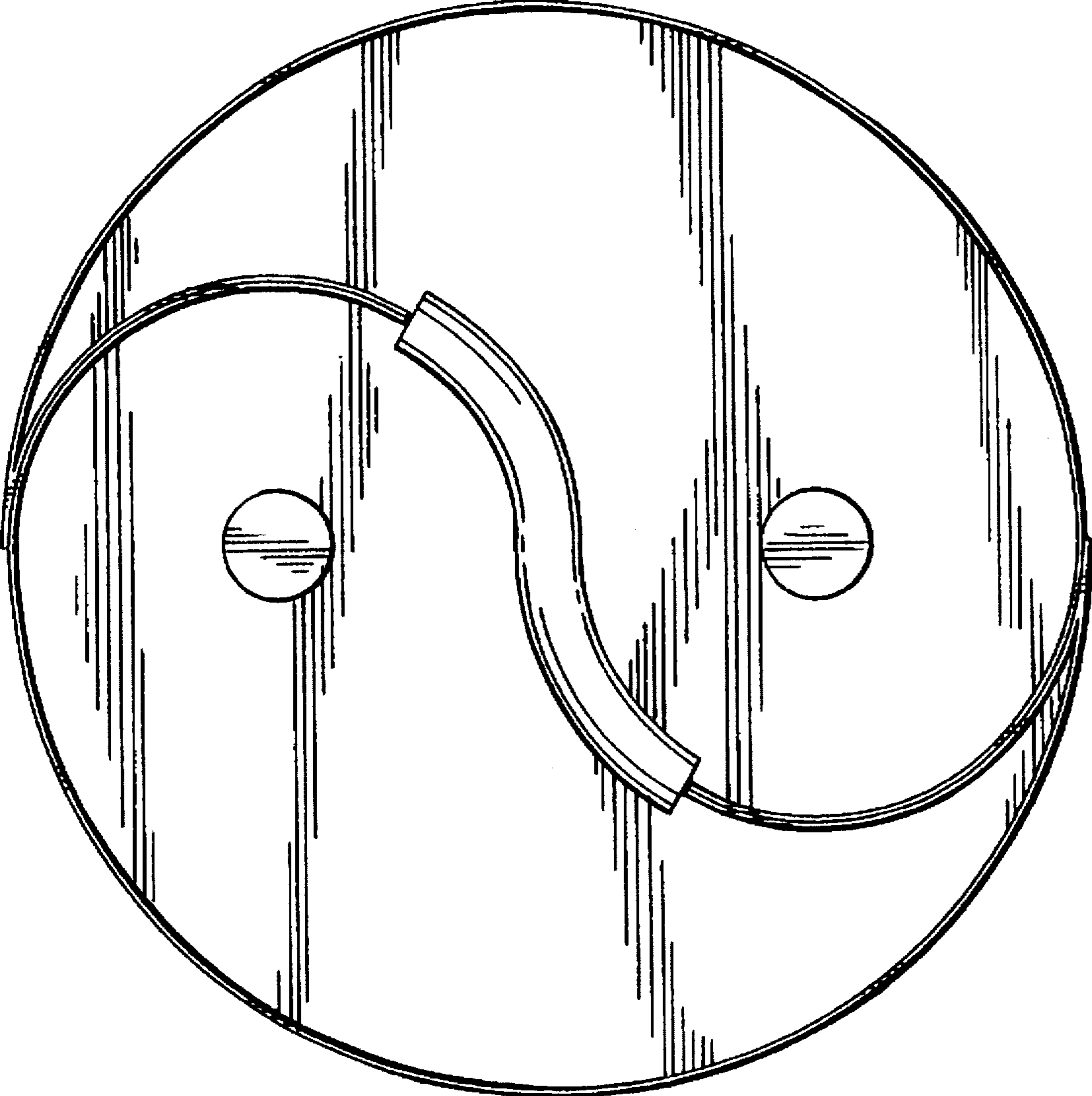


FIG. 3

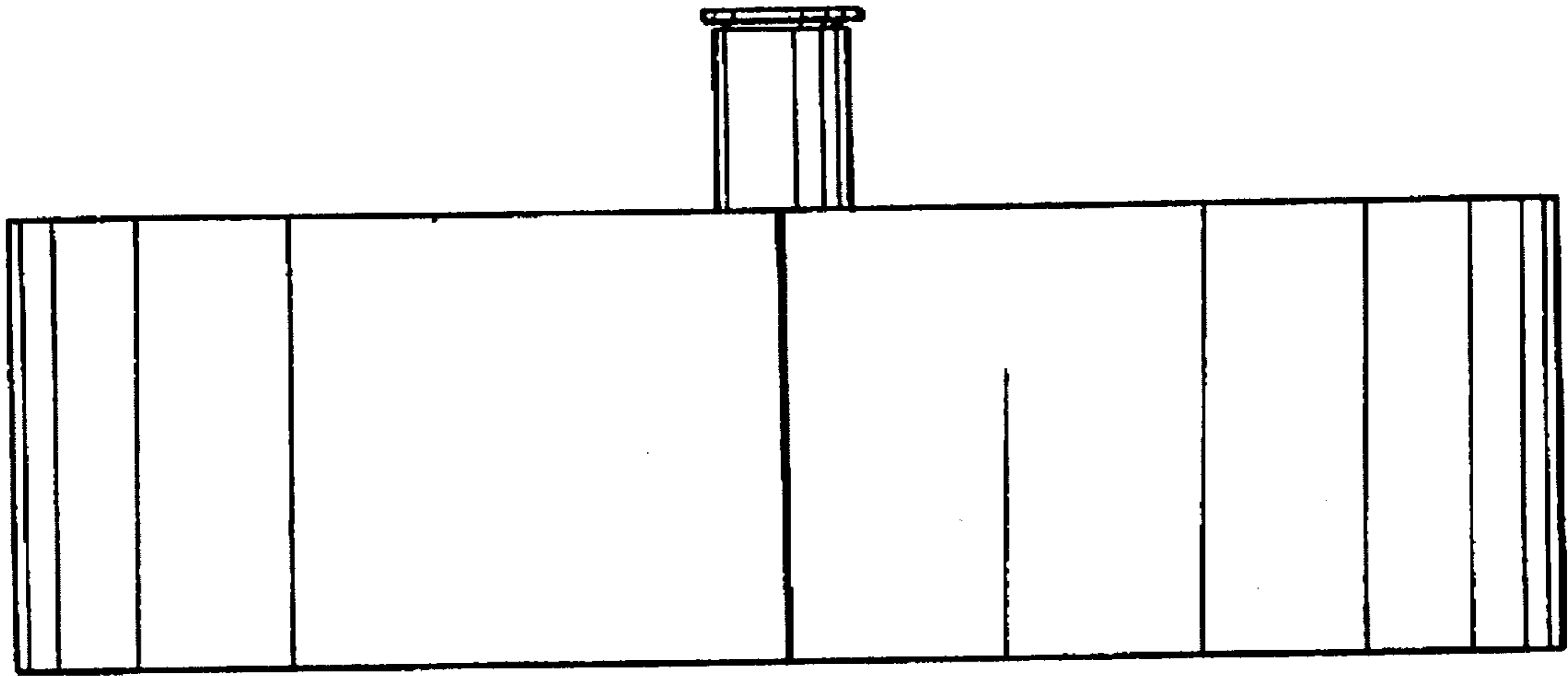


FIG. 4

