

US00D389221S

**United States Patent** [19]  
**Borg**

[11] **Patent Number: Des. 389,221**

[45] **Date of Patent: \*\*Jan. 13, 1998**

[54] **RIFLE BULLET**

[75] **Inventor: Gunnar Borg, Molltorp, Sweden**

[73] **Assignee: Bofors Carl Gustaf AB, Eskilstuna, Sweden**

[\*\*] **Term: 14 Years**

[21] **Appl. No.: 45,727**

[22] **Filed: Oct. 27, 1995**

[30] **Foreign Application Priority Data**

Apr. 27, 1995 [SE] Sweden ..... 950872

[51] **LOC (6) Cl. .... 22-03**

[52] **U.S. Cl. .... D22/116; D22/115**

[58] **Field of Search .... D22/100, 108, D22/115, 116; 102/501, 524, 503**

[56] **References Cited**

**U.S. PATENT DOCUMENTS**

189,043	4/1877	Kennedy	102/501
326,231	9/1885	Manning	102/501
D. 343,439	1/1994	Kuczewski	D22/116
1,582,673	4/1926	Fahrenwald	102/524 X
3,154,016	10/1964	Frey	102/501
4,109,581	8/1978	Six	.
4,446,792	5/1984	Heller et al.	102/501 X

**FOREIGN PATENT DOCUMENTS**

93-1464 6/1993 Sweden .  
WO 94/00730 1/1994 WIPO .

**OTHER PUBLICATIONS**

No. 65 *The Shooters Bible*, pp. 407, "45 Colt Bullet #454 485"—right center of page.

Hans Brusk, *Hand-book for Hythe, Ammunition, Various Bullet Types of the 1850's*, pp. 26-27.

*Primary Examiner*—Louis S. Zarfes

*Assistant Examiner*—Monica A. Weingart

*Attorney, Agent, or Firm*—Pollock, Vande Sande & Priddy

[57] **CLAIM**

The ornamental design for a rifle bullet, as shown and described.

**DESCRIPTION**

FIG. 1 is a perspective view from the front end showing my new design of a rifle bullet;

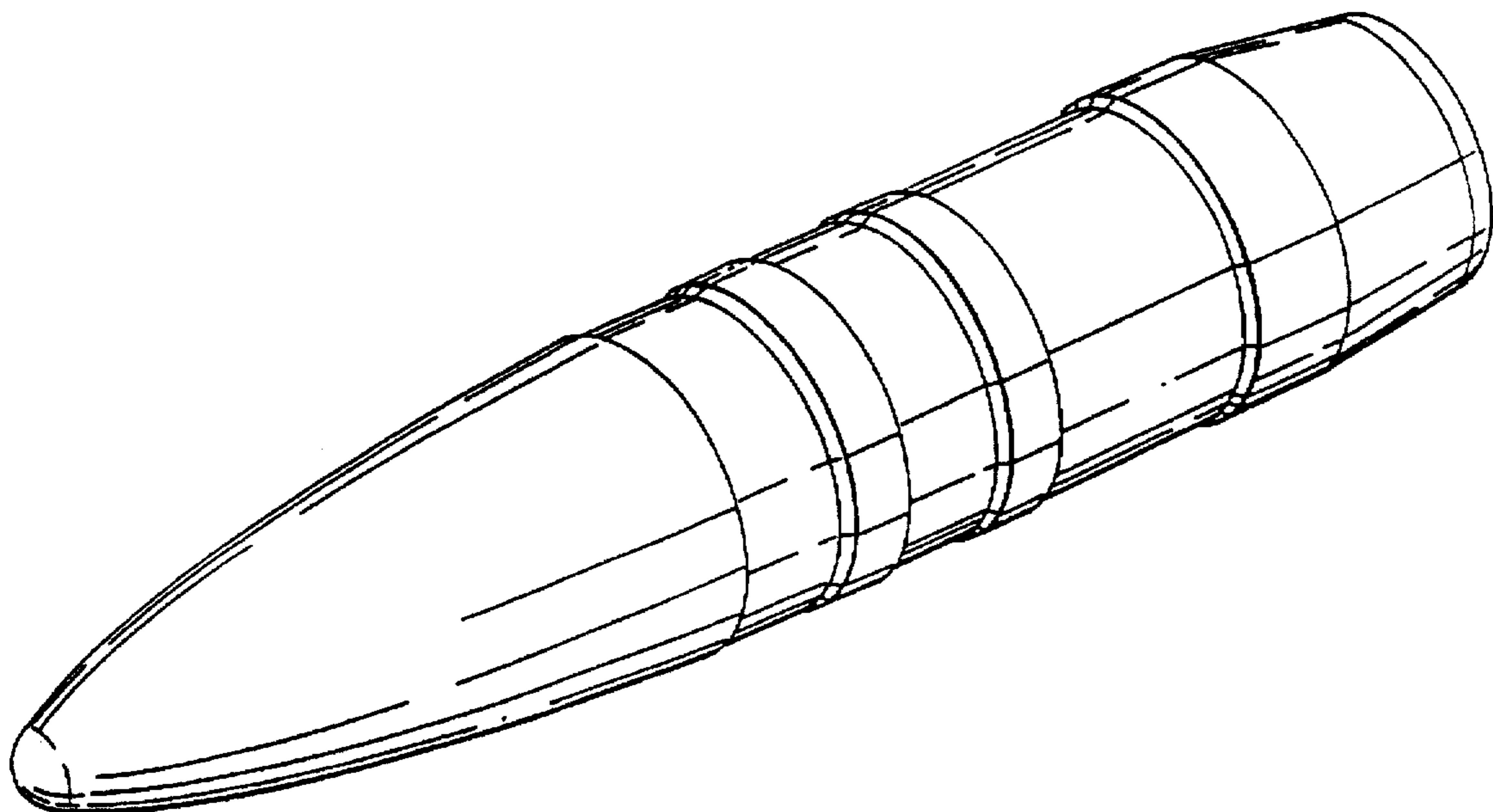
FIG. 2 is a perspective view from the rear end thereof;

FIG. 3 is a side view thereof;

FIG. 4 is a sectional view thereof; and,

FIG. 5 is a sectional view thereof taken along the line 5—5 shown in FIG. 3.

**1 Claim, 2 Drawing Sheets**



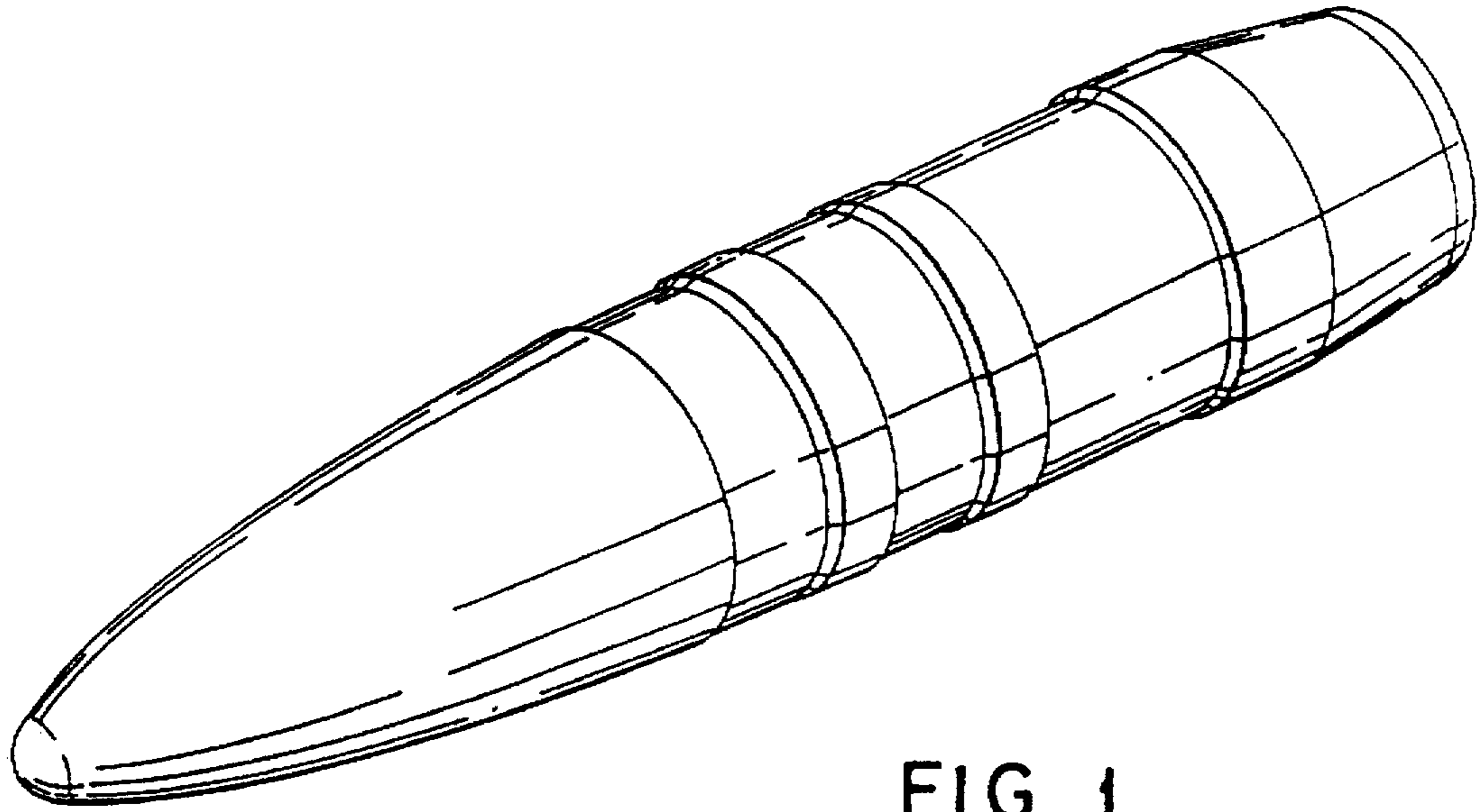


FIG. 1

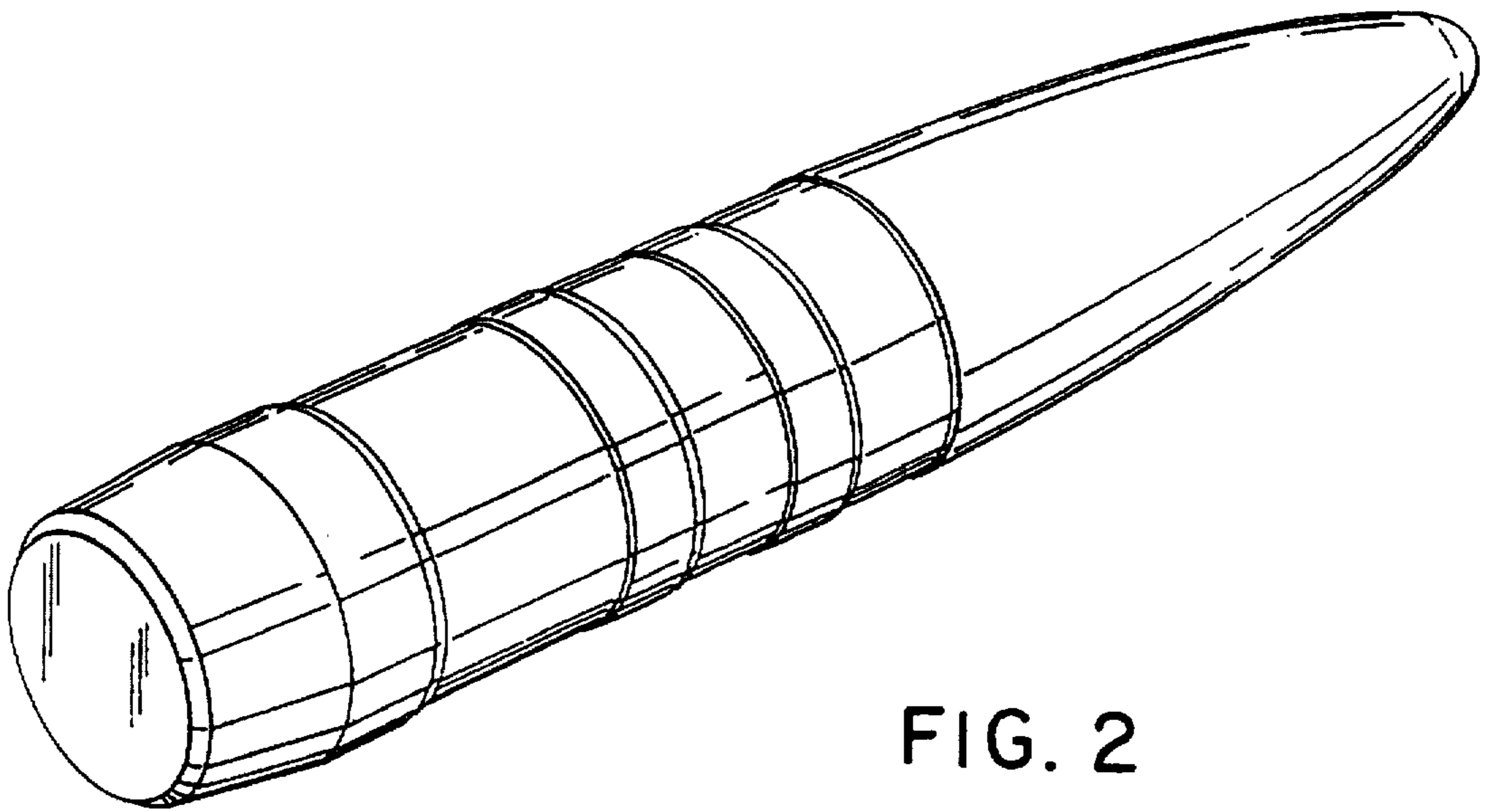


FIG. 2

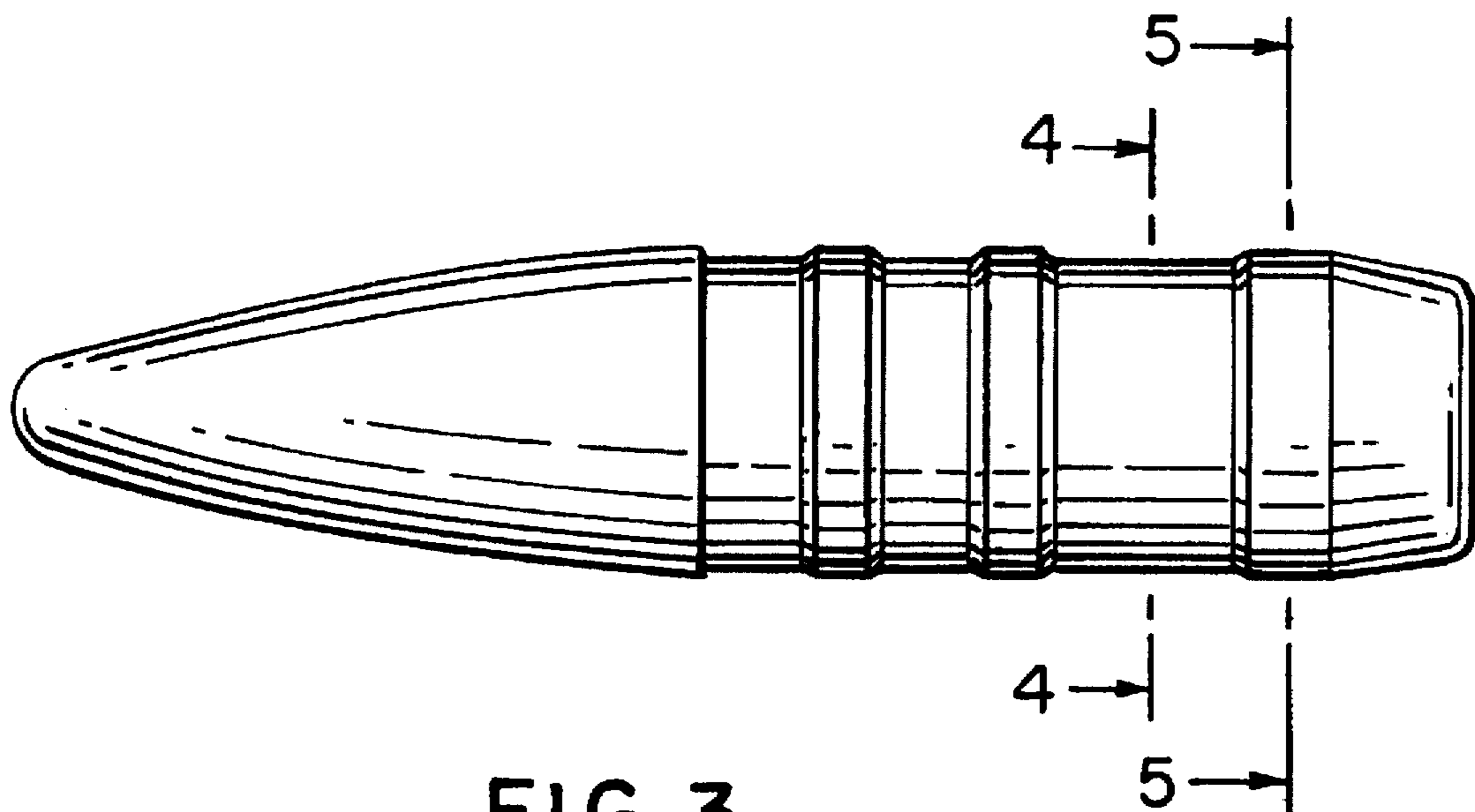


FIG. 3

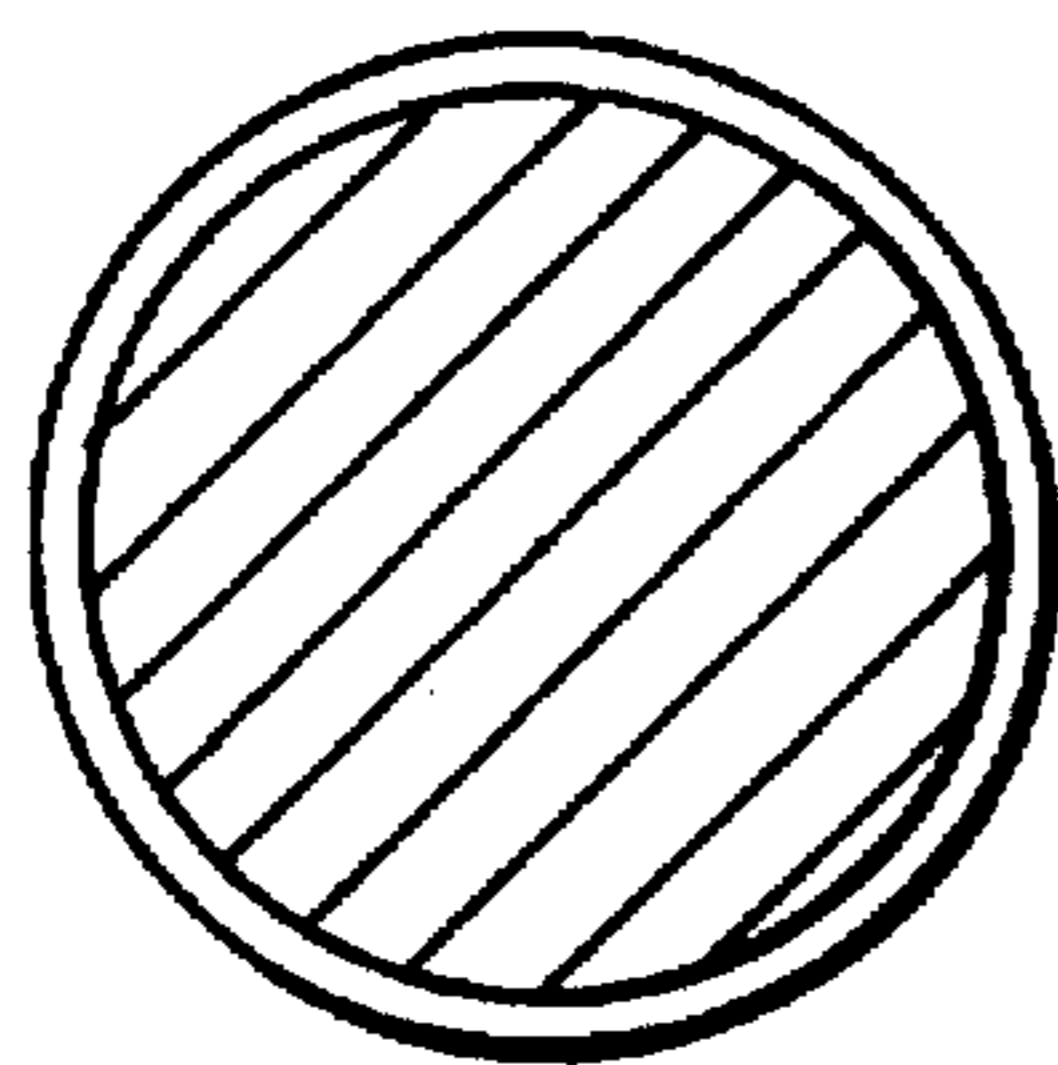


FIG. 4

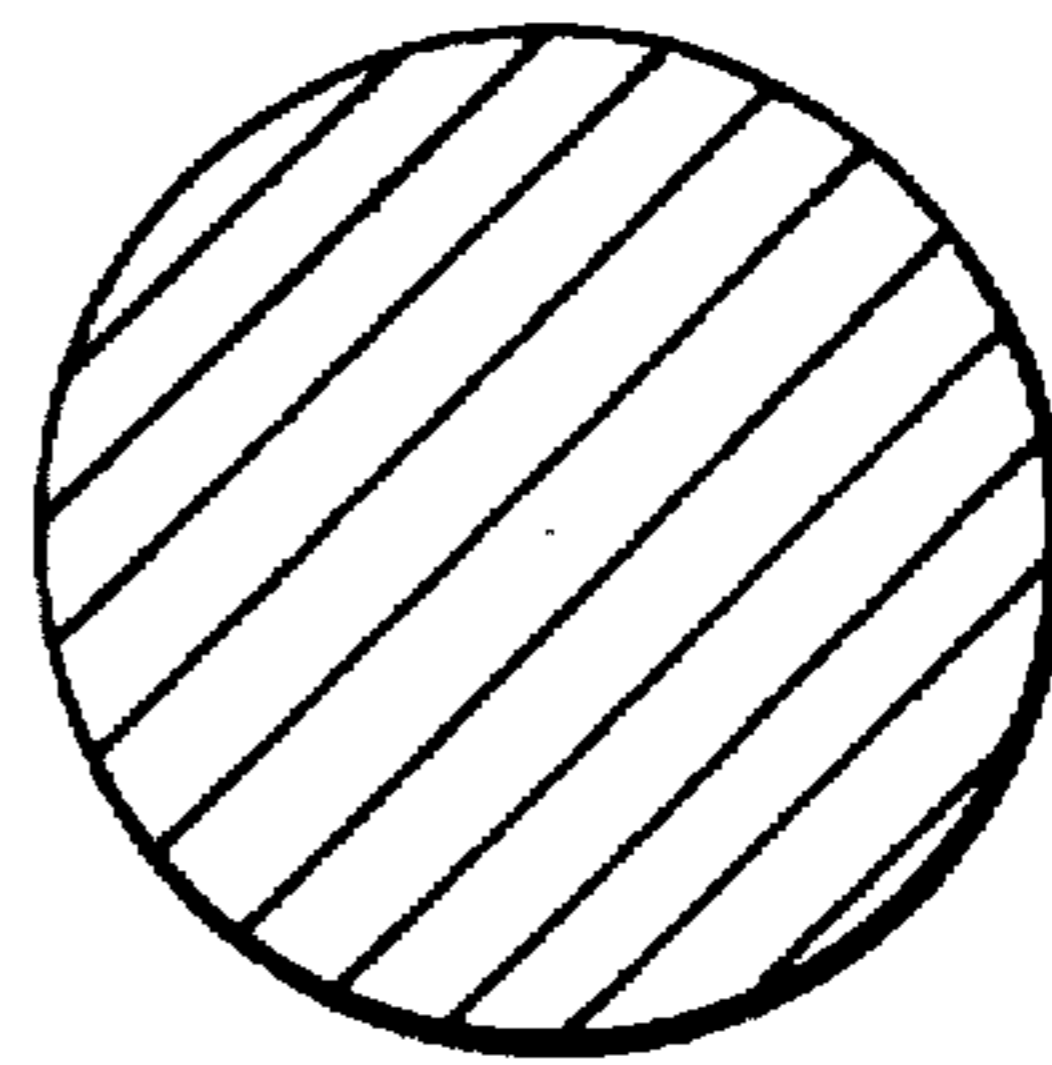


FIG. 5