



US00D389219S

# United States Patent [19]

Liu

[11] Patent Number: **Des. 389,219**

[45] Date of Patent: **\*\*Jan. 13, 1998**

[54] **INFLATABLE FRAME STRUCTURE**

[76] Inventor: **Chang Hsiung Liu**, No. 8, Shang 4 Fu, Yang-Mei Town, Tao-Yuan Hsieh, Taiwan

[\*\*] Term: **14 Years**

[21] Appl. No.: **57,860**

[22] Filed: **Aug. 2, 1996**

[51] **LOC (6) Cl.** ..... **21-02**

[52] **U.S. Cl.** ..... **D21/254; D21/253**

[58] **Field of Search** ..... **D21/114, 253, D21/254; D25/16, 18; 52/2.18; 135/121, 122, 123, 125, 126, 128, 138, 143, 156**

[56] **References Cited**

**U.S. PATENT DOCUMENTS**

- D. 300,649 4/1989 Tauer ..... D21/253
- D. 304,240 10/1989 Wright ..... D21/253
- D. 305,790 1/1990 Soderstrom ..... D21/253

- D. 352,328 11/1994 Boyd ..... D21/253
- D. 366,305 1/1996 Roehler ..... D21/253
- 3,240,217 3/1966 Bird et al. .... 135/123
- 5,007,212 4/1991 Fritts et al. .... 52/2.18

*Primary Examiner*—Raphael Barkai  
*Attorney, Agent, or Firm*—Bacon & Thomas

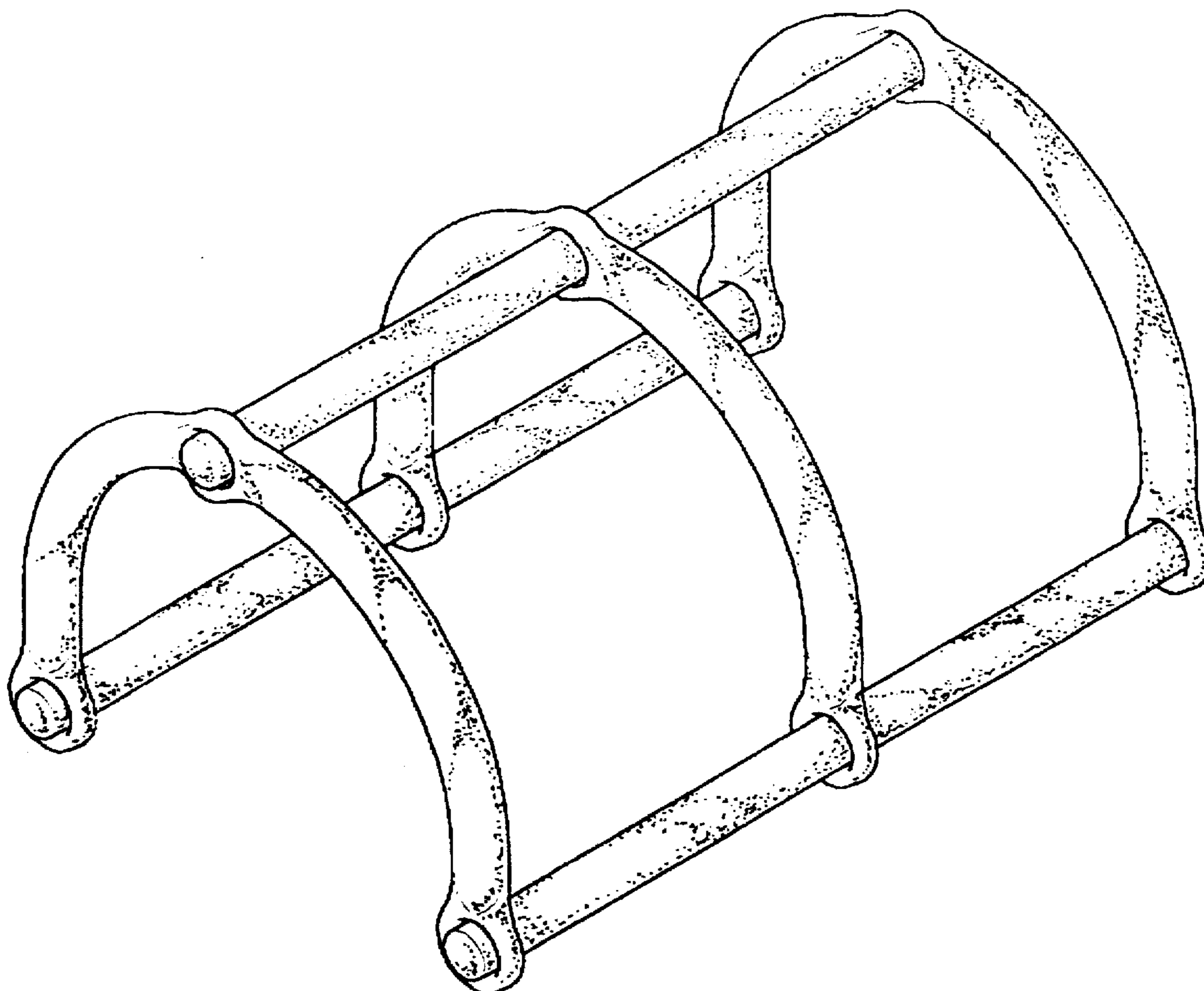
[57] **CLAIM**

The ornamental design for a inflatable frame structure, as shown and described.

**DESCRIPTION**

FIG. 1 is a perspective view of a inflatable frame structure showing my new design;  
FIG. 2 is a front elevational view thereof;  
FIG. 3 is a rear elevational view thereof;  
FIG. 4 is a left side elevational view thereof;  
FIG. 5 is a right side elevational view thereof;  
FIG. 6 is a top plan view thereof; and,  
FIG. 7 is a bottom plan view thereof.

**1 Claim, 7 Drawing Sheets**



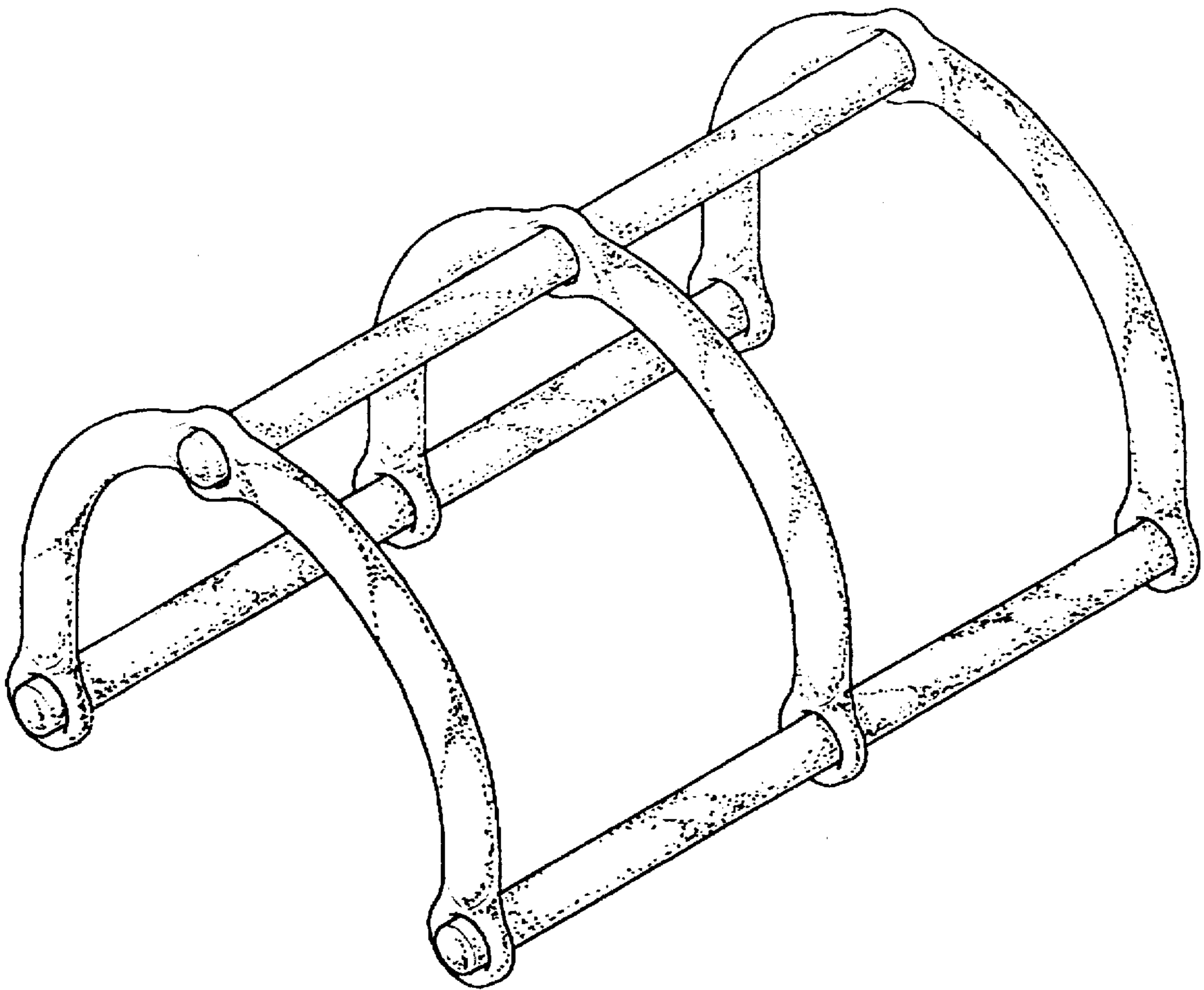


FIG. 1

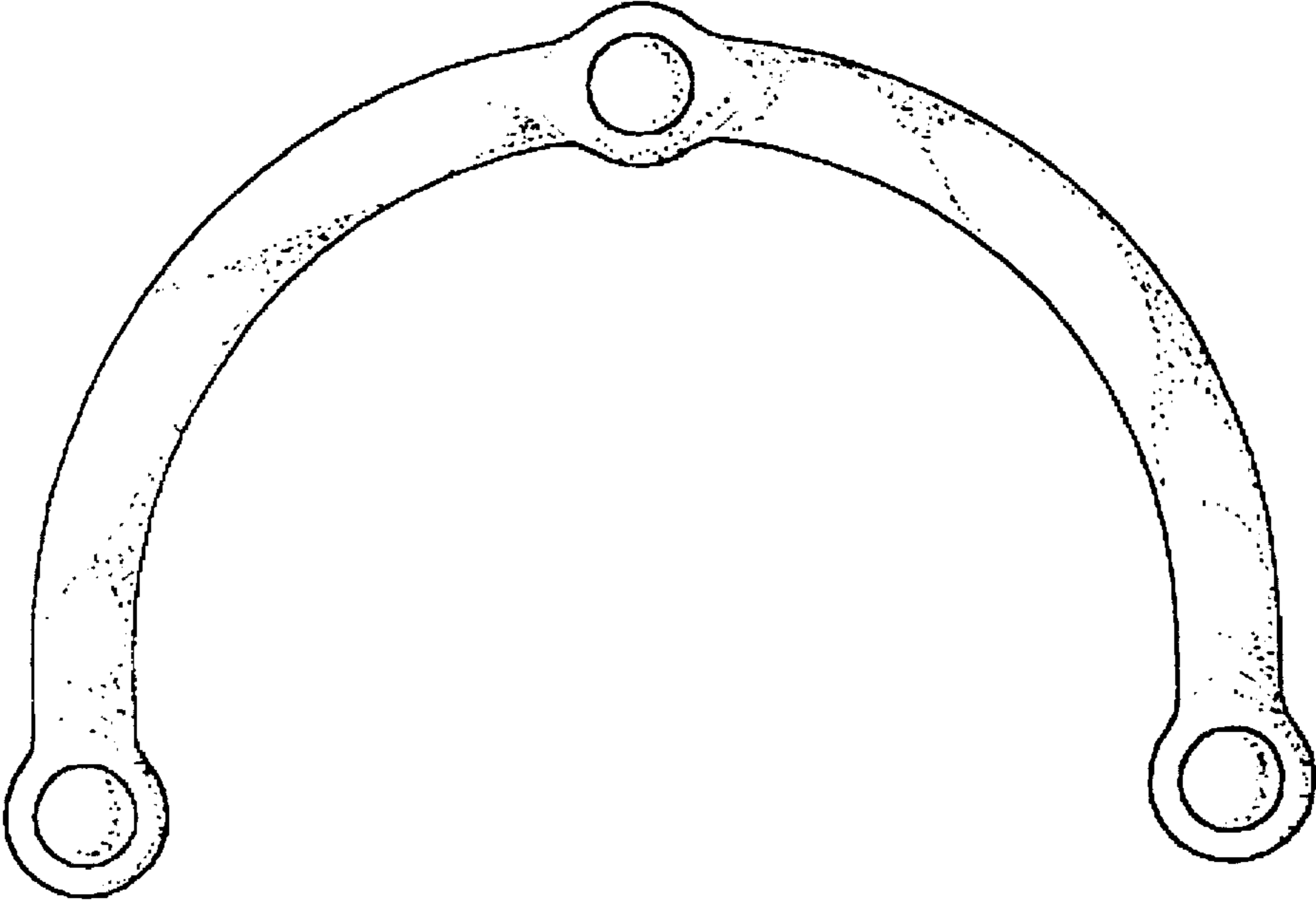


FIG. 2

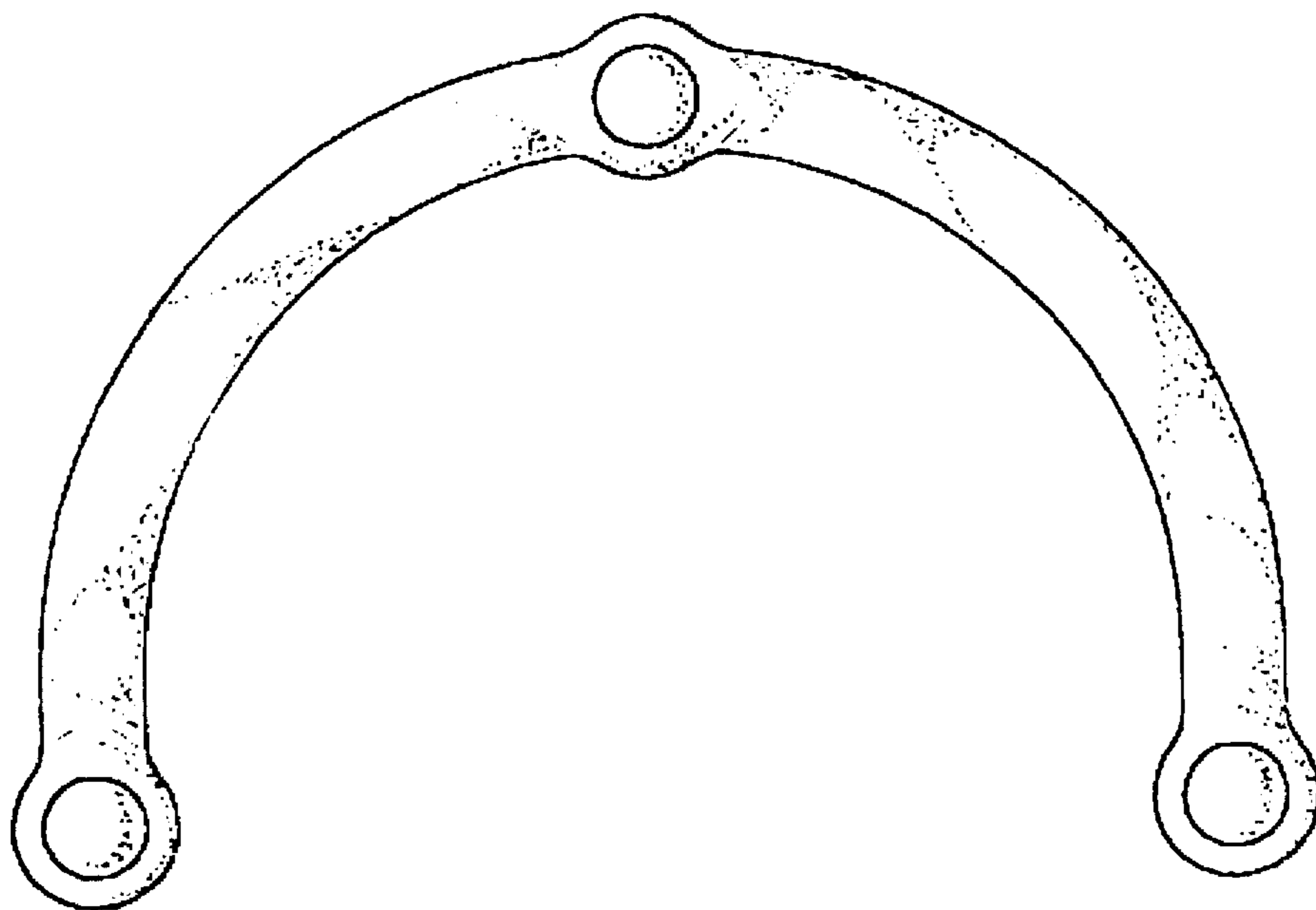


FIG. 3

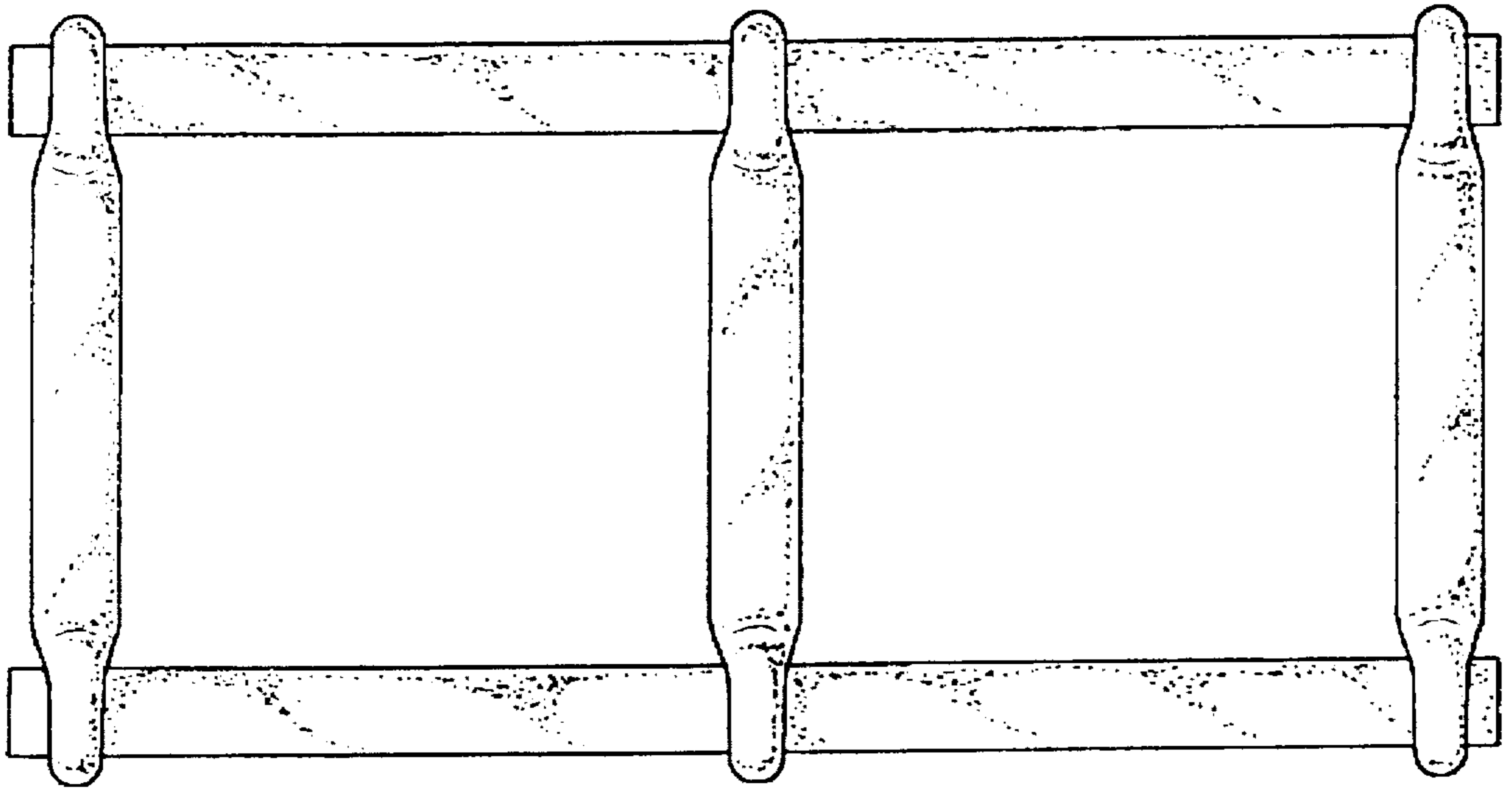


FIG. 4

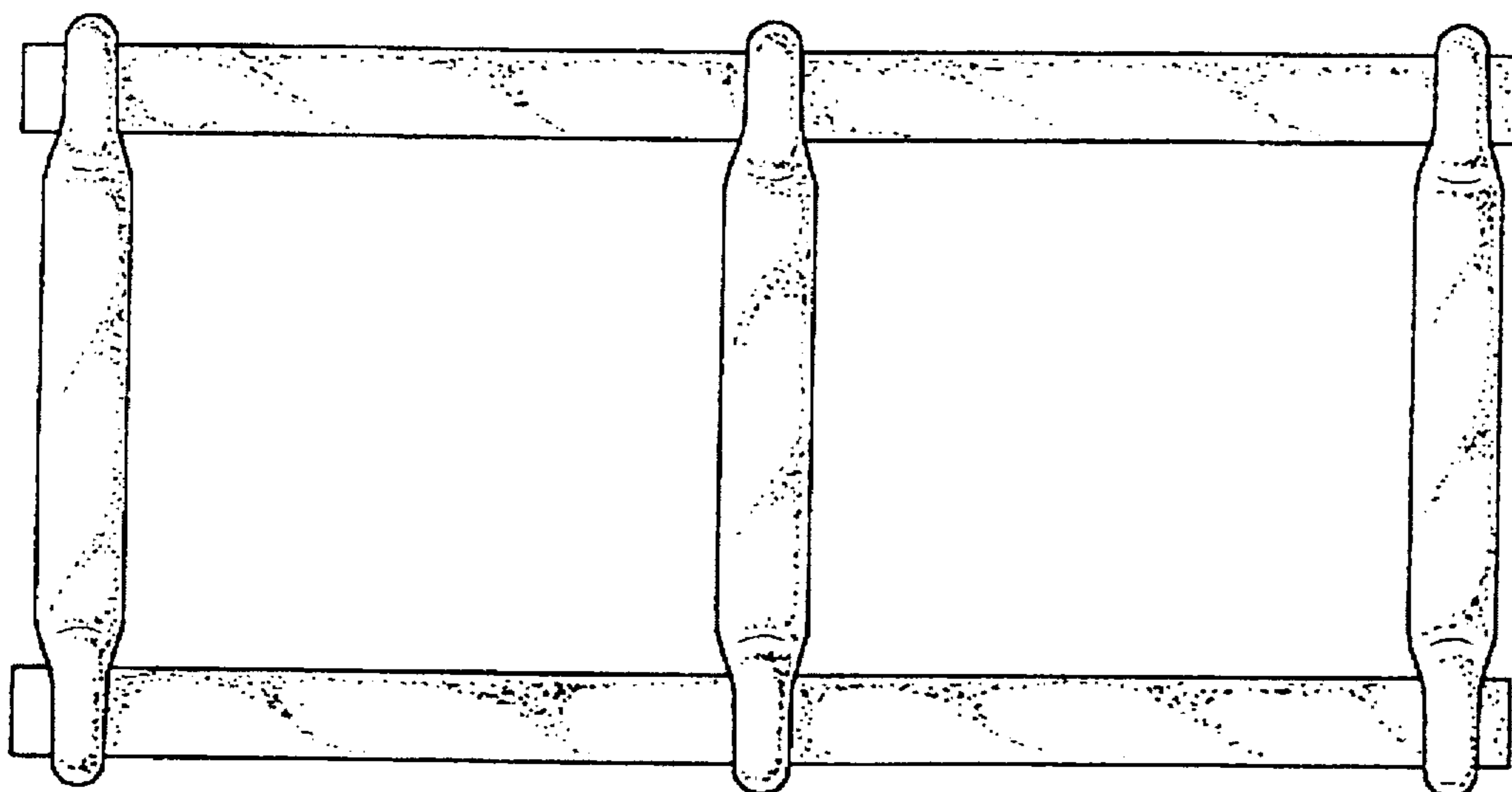


FIG. 5

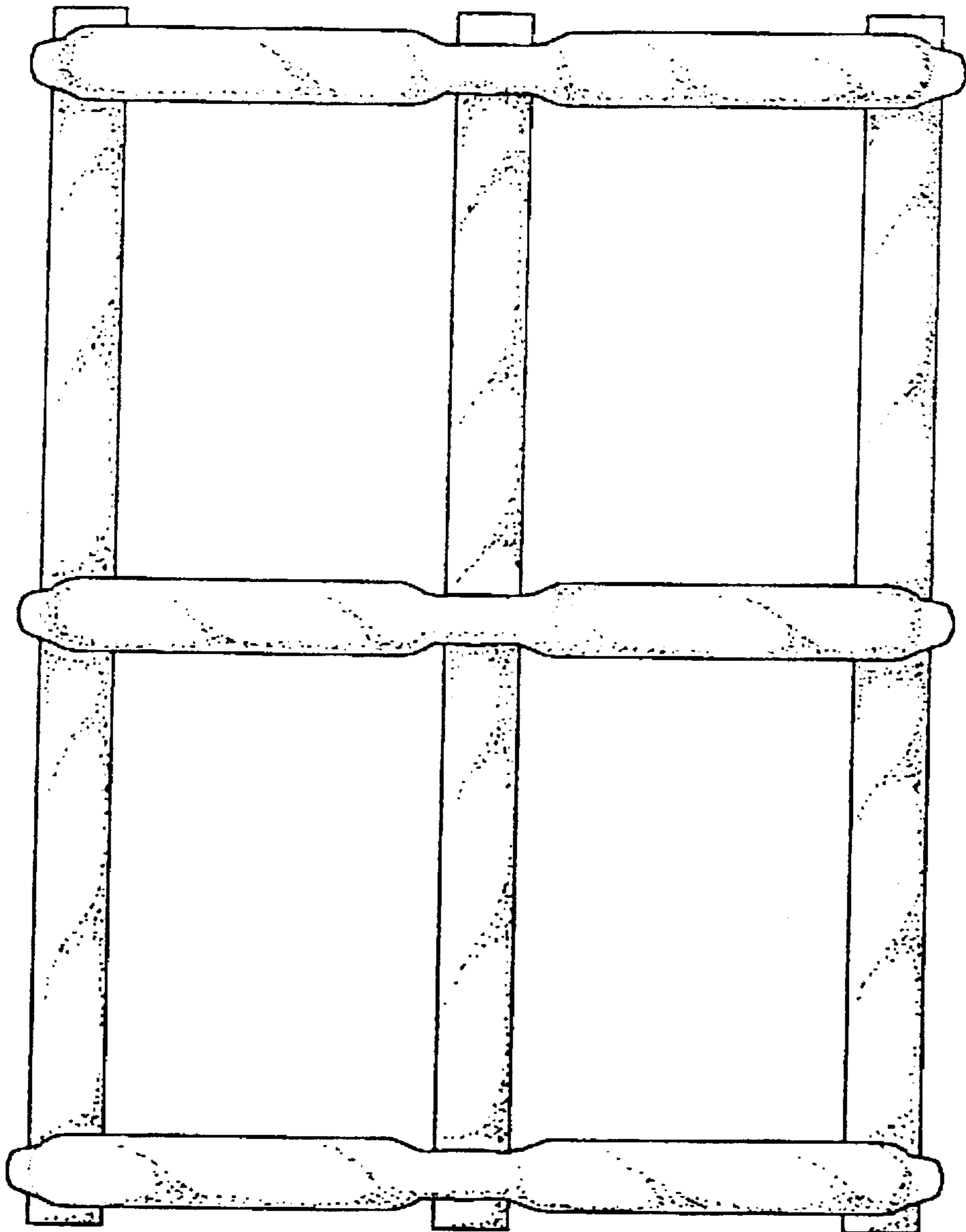


FIG. 6



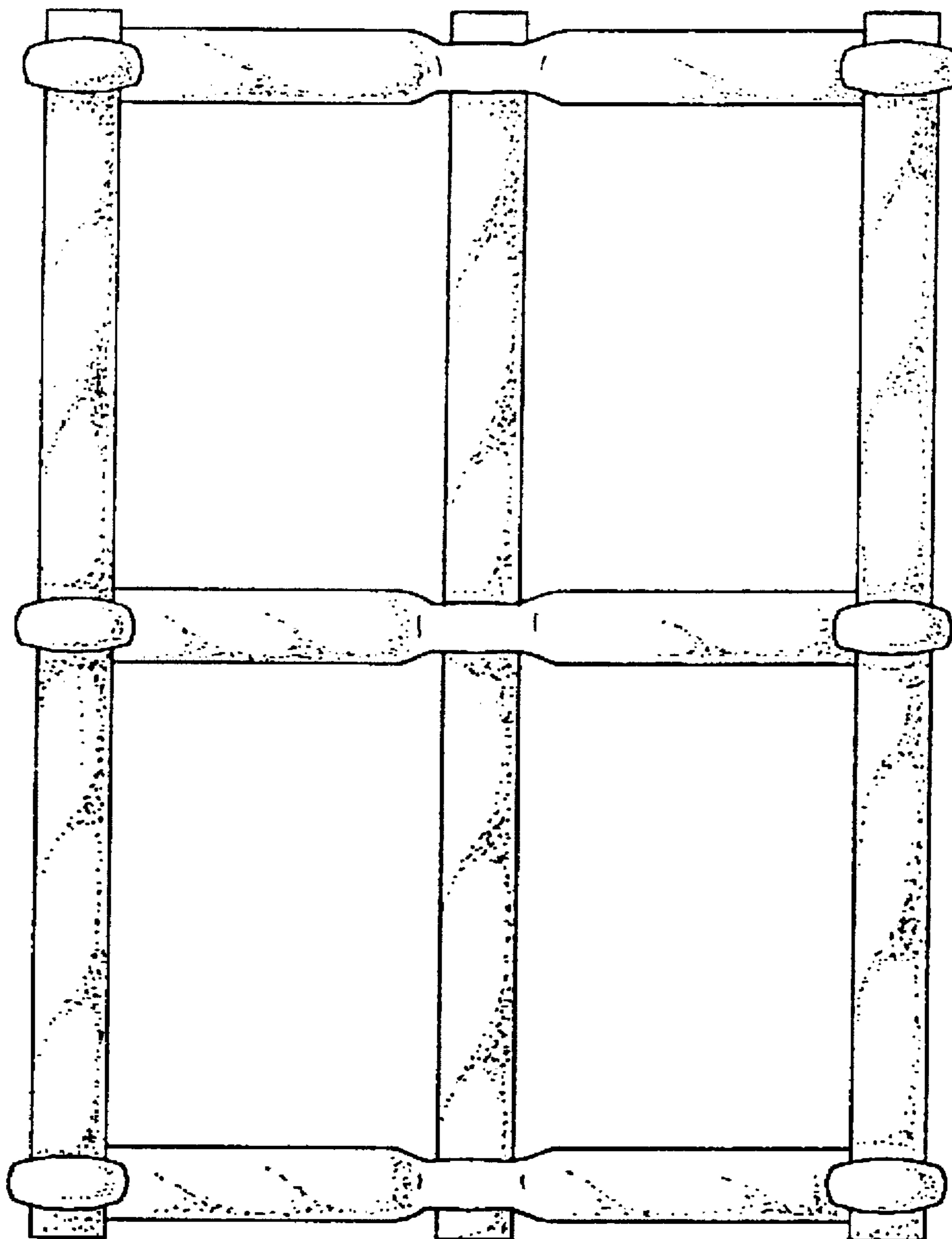


FIG. 7