

US00D389218S

United States Patent [19]

Walter

[11] Patent Number: **Des. 389,218**

[45] Date of Patent: ****Jan. 13, 1998**

- [54] **ACTIVITY SANDBOX**
- [75] Inventor: **Christopher G. Walter**, Suffield, Ohio
- [73] Assignee: **The Little Tikes Company**, Hudson, Ohio
- [**] Term: **14 Years**
- [21] Appl. No.: **41,031**
- [22] Filed: **Jul. 3, 1995**
- [51] LOC (6) Cl. **21-99**
- [52] U.S. Cl. **D21/252; D21/250; D21/128**
- [58] Field of Search **D21/250, 252, D21/132, 131, 78, 79, 128; 446/70; 472/126**

- D. 358,860 5/1995 Pipik D21/245
- 3,881,723 5/1975 Boynton 472/126
- 4,515,360 5/1985 Mariol 272/1

OTHER PUBLICATIONS

P. 17, Sandbox; Quality Play Equipment, Cat. No. 21, address unknown, Publication date 1979.
 P. 76, Sandbox; The Little Tikes Company, 2180 Barlow Road, Hudson, Ohio 44236. Publication date 1991.

Primary Examiner—Raphael Barkai
Assistant Examiner—Mitchell I. Siegel
Attorney, Agent, or Firm—Richard B. O’Planick; Lisa B. Riedesel

[57] CLAIM

The ornamental design for an activity sandbox, as shown and described.

[56] References Cited

U.S. PATENT DOCUMENTS

- D. 257,875 1/1981 Rudy D21/245
- D. 273,508 4/1984 Mariol D21/252
- D. 280,436 9/1985 Mariol D21/252
- D. 281,893 12/1985 Addleman D21/245
- D. 308,088 5/1990 Mariol D21/252
- D. 311,432 10/1990 Cattoni D21/252
- D. 313,058 12/1990 Wehmeyer D21/252
- D. 334,789 4/1993 Fish D21/252
- D. 337,136 7/1993 Murdough et al. D21/130
- D. 346,421 4/1994 Martin et al. D21/252
- D. 352,986 11/1994 Houry et al. D21/252

DESCRIPTION

FIG. 1 is a top right front perspective view of an activity sandbox showing my new design;
 FIG. 2 is a front elevational view thereof;
 FIG. 3 is a rear elevational view thereof;
 FIG. 4 is a left side elevational view thereof;
 FIG. 5 is a top plan view thereof; and,
 FIG. 6 is a bottom plan view thereof.

1 Claim, 6 Drawing Sheets

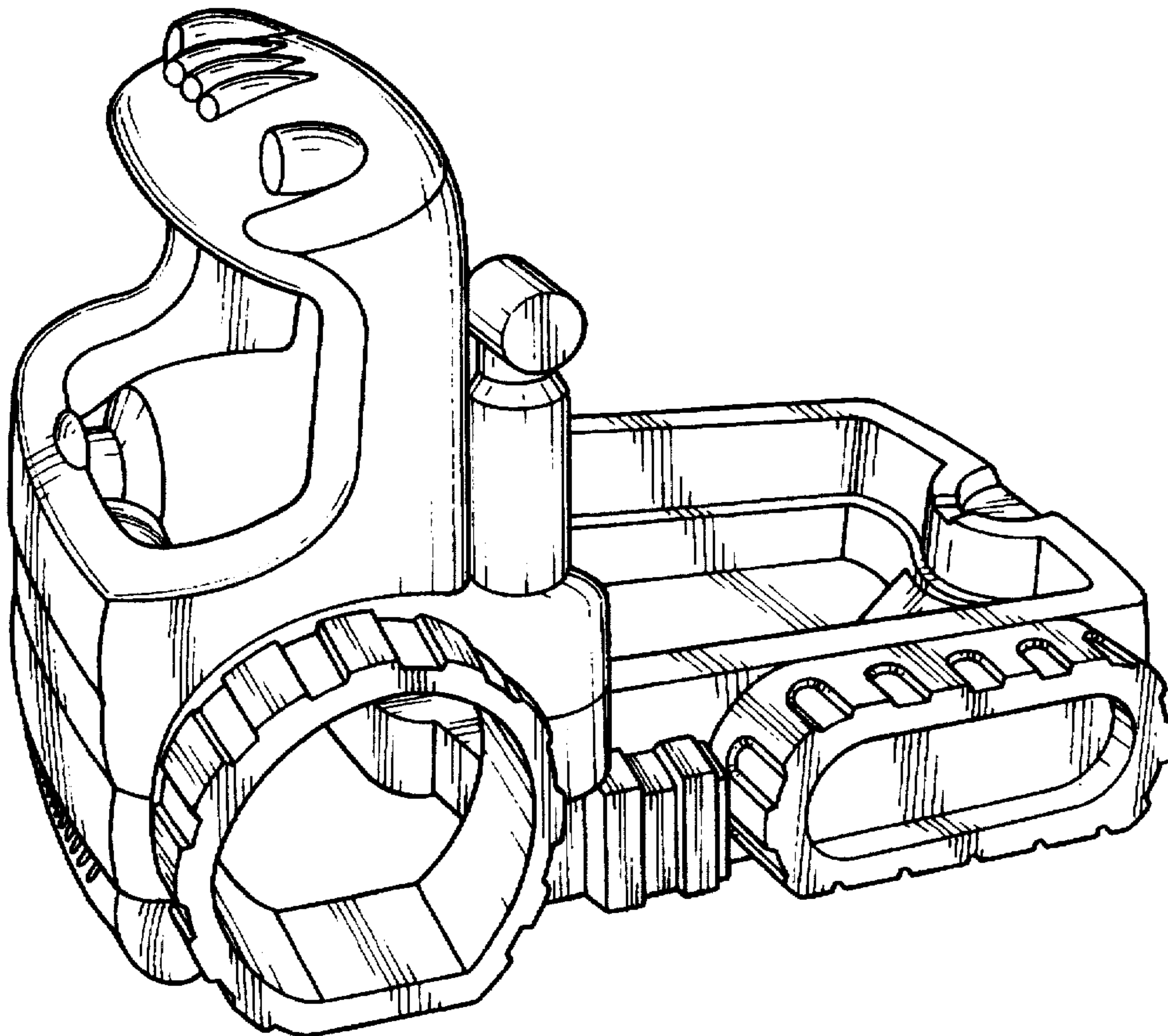
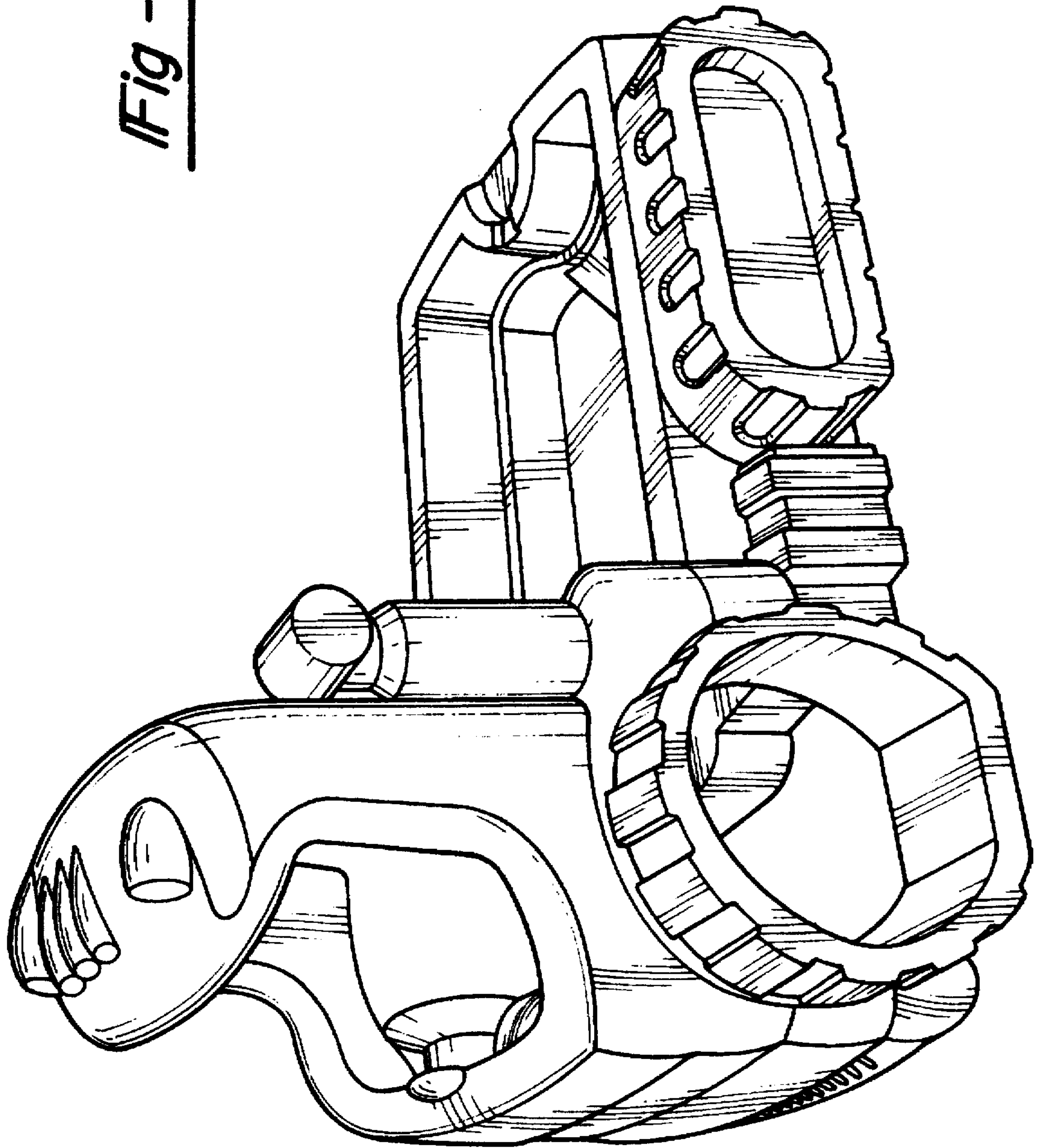


Fig - 1



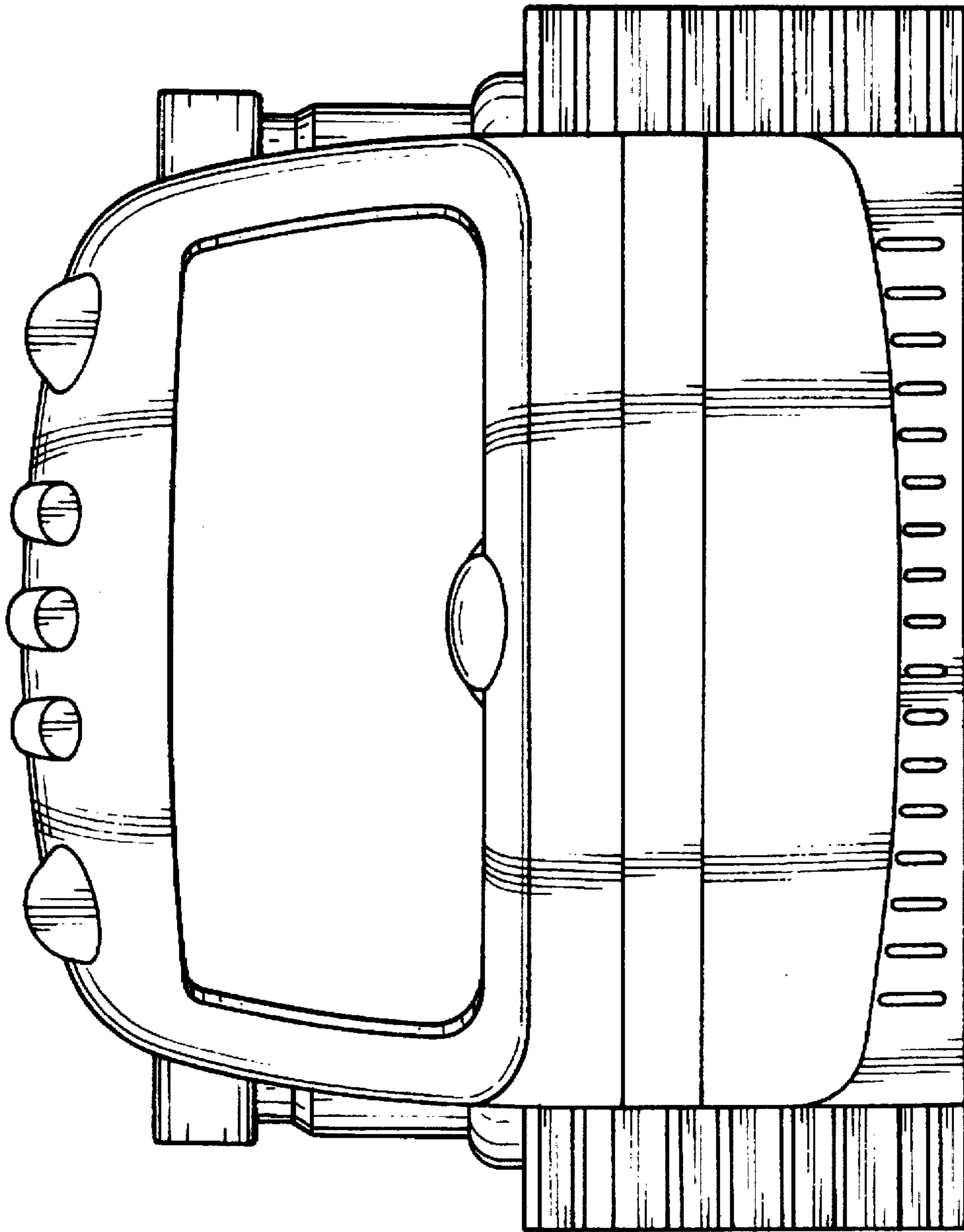


Fig - 2

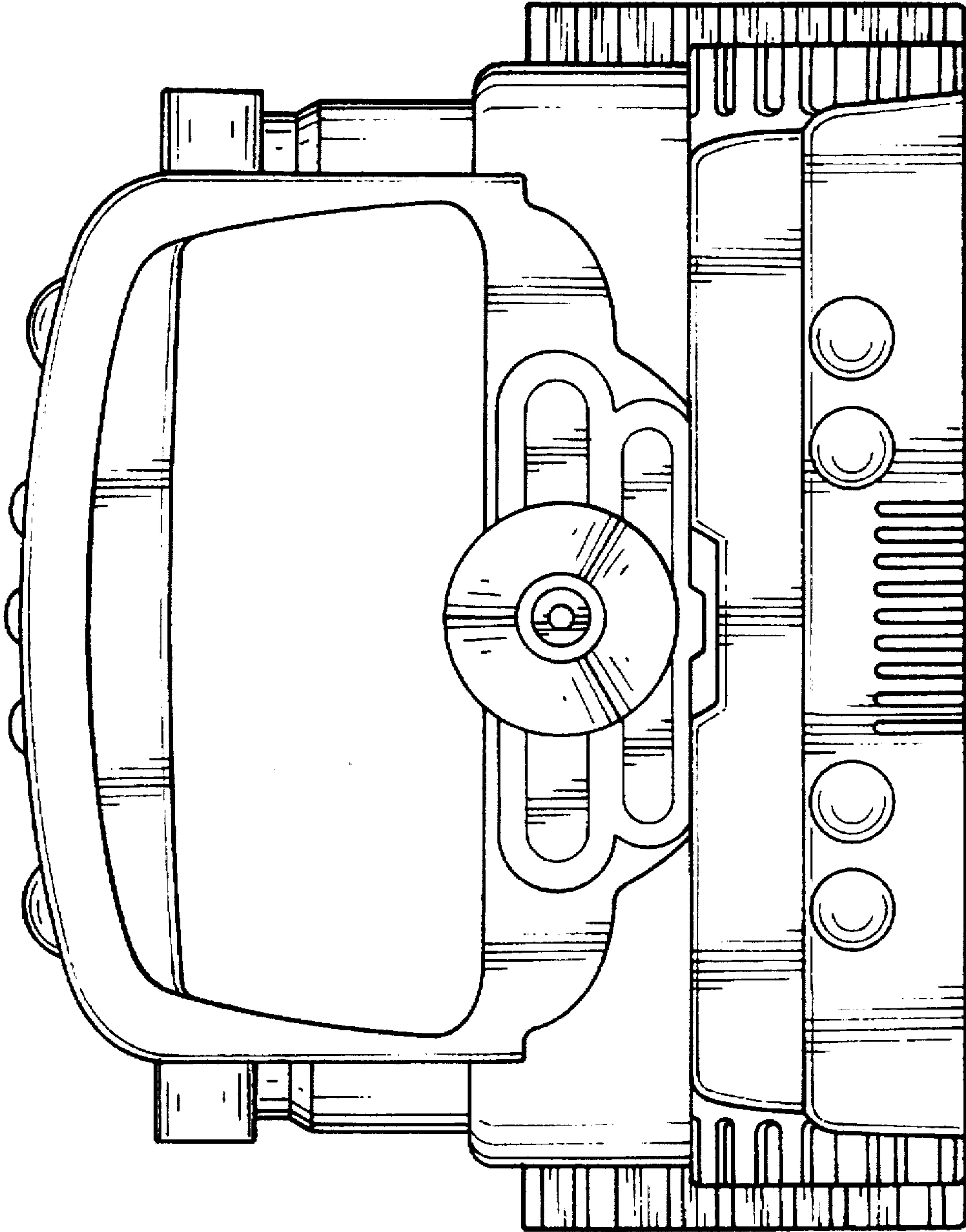


Fig - 3

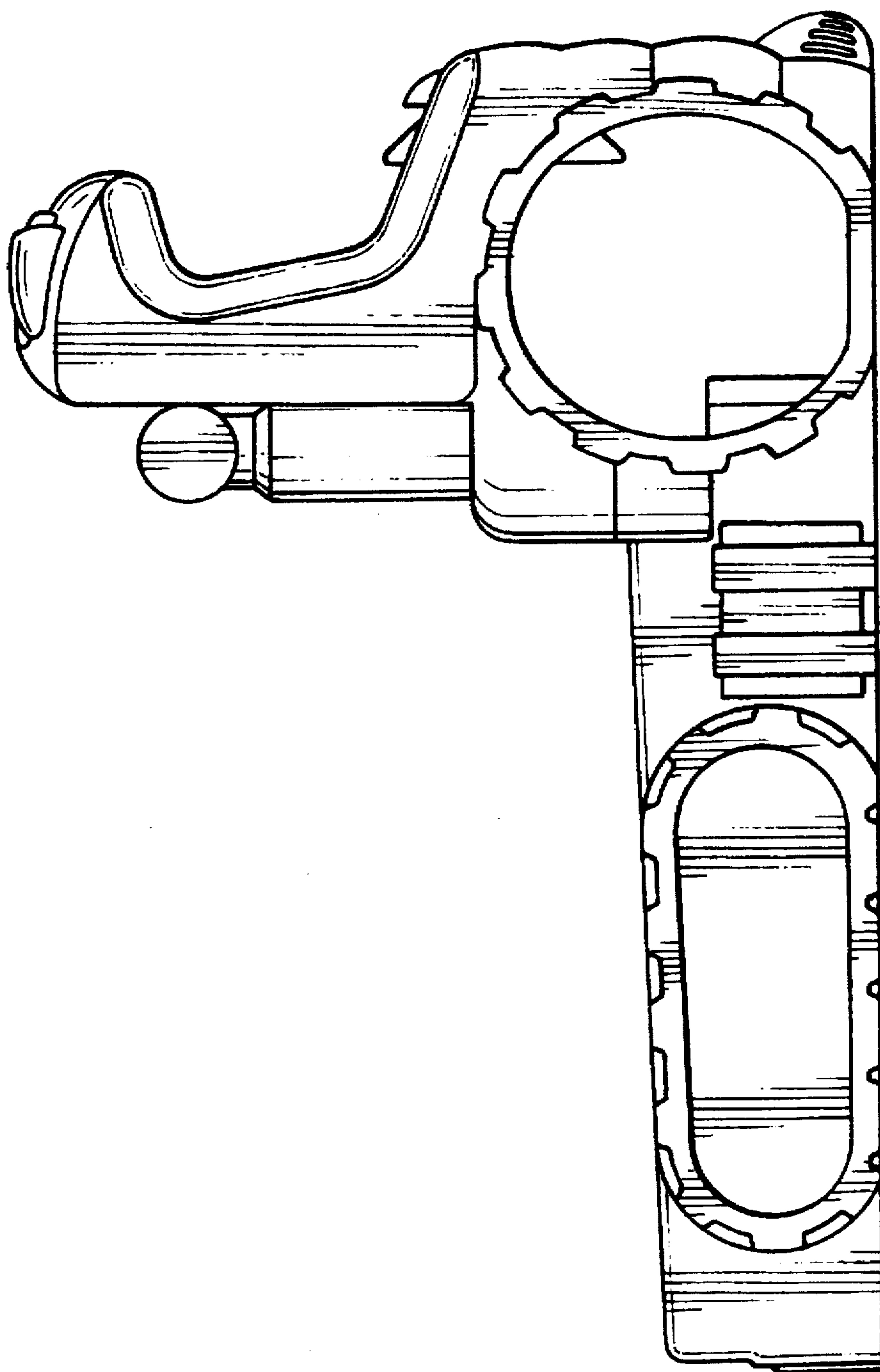


Fig - 4

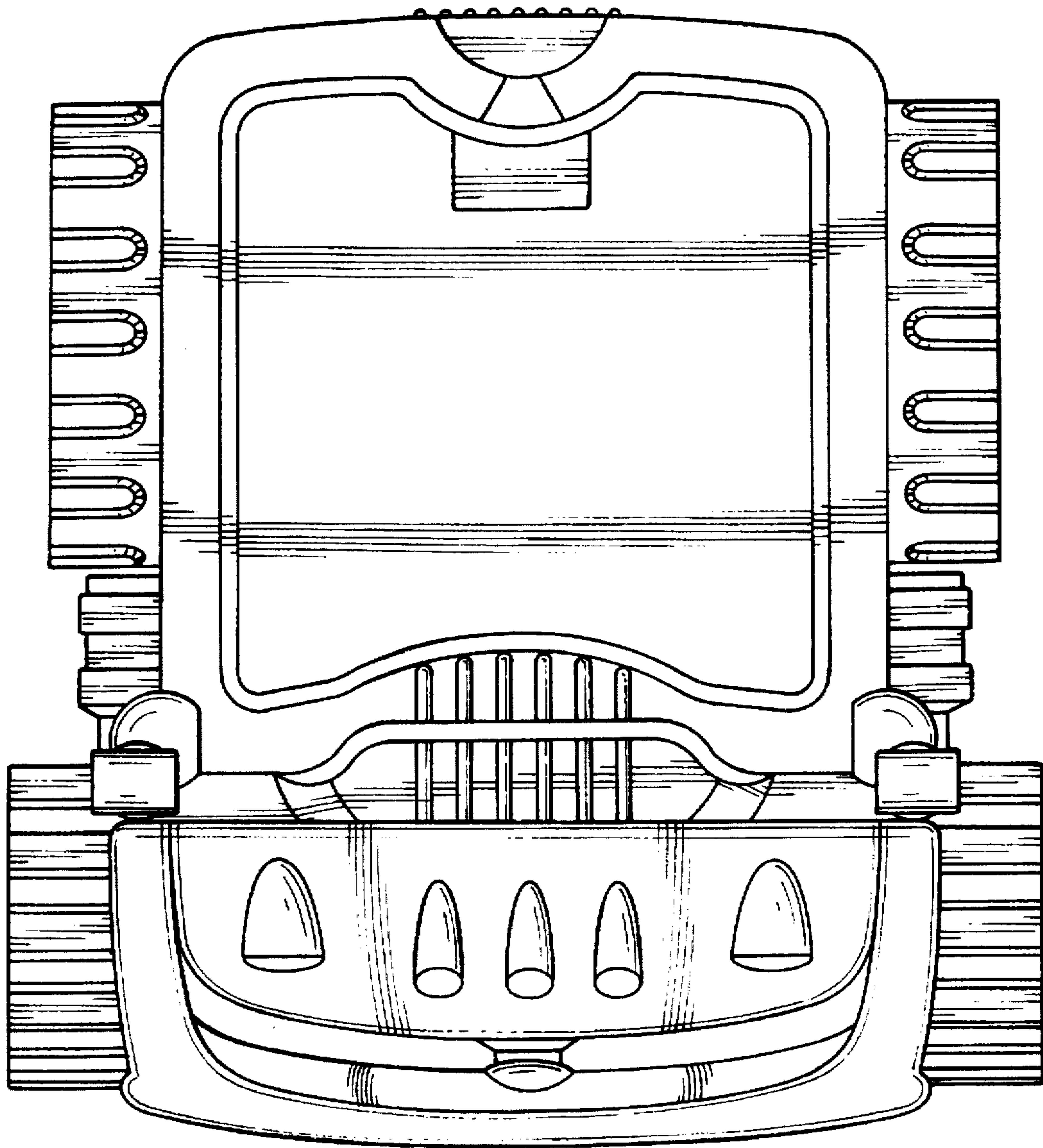


Fig - 5

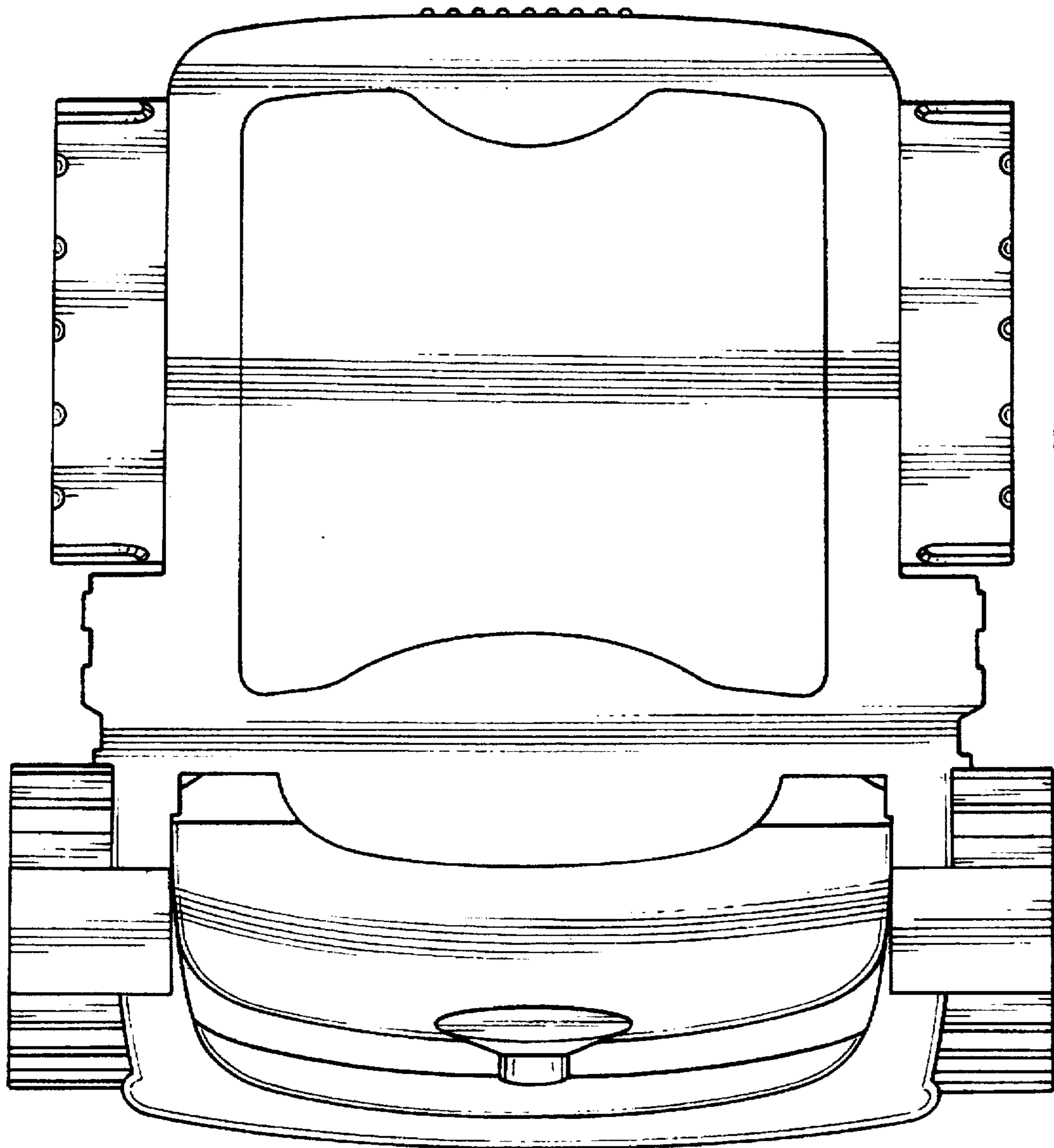


Fig - 6