



US00D389212S

United States Patent [19] Desjardins

[11] Patent Number: Des. 389,212
[45] Date of Patent: **Jan. 13, 1998

[54] **PUTTING PLATFORM MODULE**
[75] Inventor: Pierre Desjardins, St-Jérôme, Canada
[73] Assignee: Le Rigolfeur Inc., St-Jérôme, Canada
[**] Term: 14 Years

3,869,128 3/1975 Ohashi 473/278
3,880,432 4/1975 Coffey et al. 473/278
4,968,041 11/1990 Calvo D21/5 X
5,292,130 3/1994 Hooper 473/279
5,443,870 8/1995 Lurie et al. 473/278 X

OTHER PUBLICATIONS

"Golfsmith", Apr. 1992, p. 28, Golf Practice Mat Item No. 637, Flexi-Mat.

Primary Examiner—Raphael Barkai
Assistant Examiner—Mitchell I. Siegel

[21] Appl. No.: 47,546
[22] Filed: Dec. 6, 1995
[30] Foreign Application Priority Data

Jul. 12, 1995 [CA] Canada 1995-1542

[51] LOC (6) Cl. 21-02
[52] U.S. Cl. D21/234
[58] Field of Search D21/234, 5, 8;
473/278, 279

[57] CLAIM
The ornamental design for a putting platform module, as shown and described.

DESCRIPTION

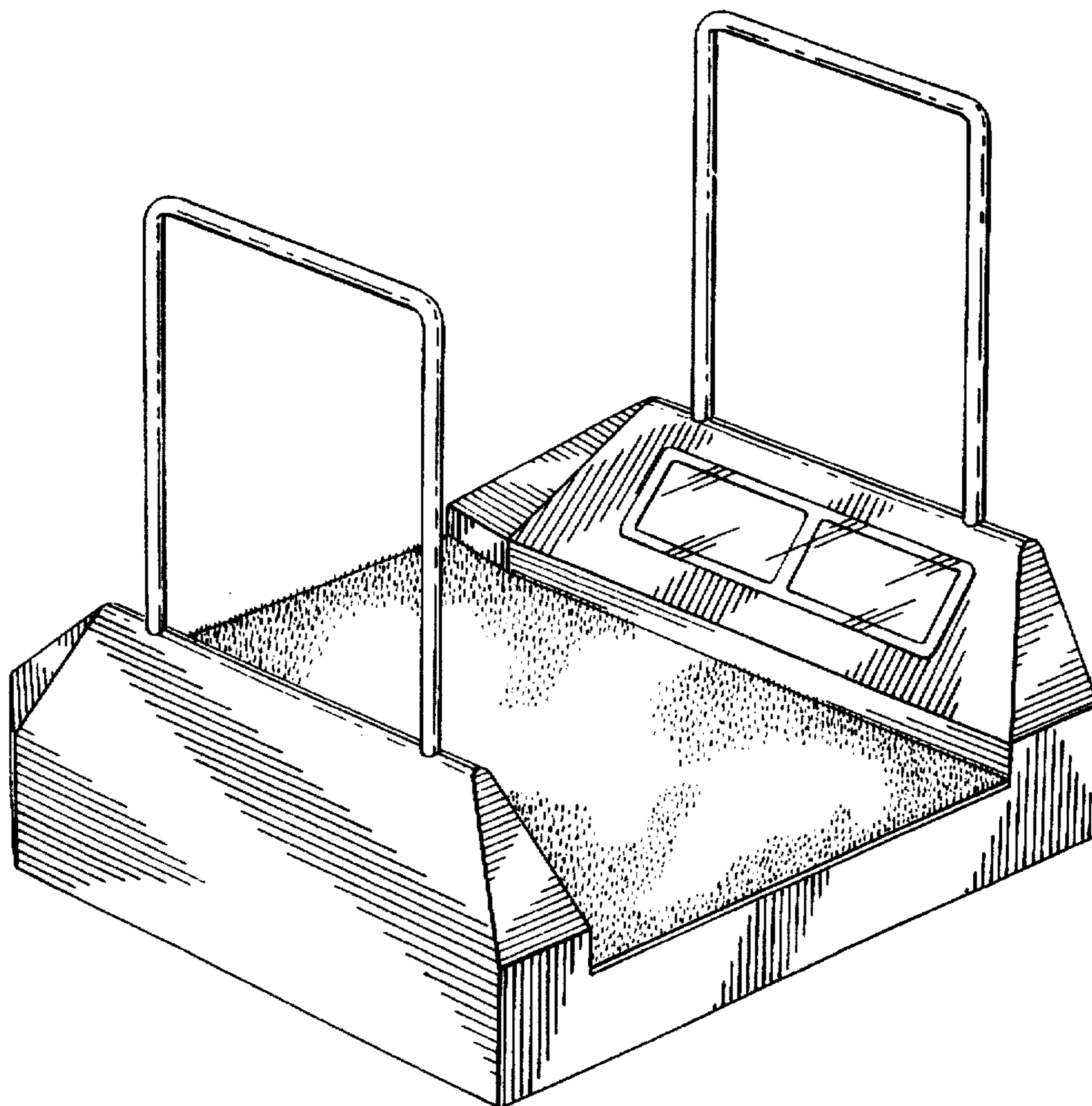
The single FIGURE is a perspective view of a putting platform module showing my new design. It is understood that the texture of the platform covers the entire top surface.

The portions of the putting platform module not disclosed form no part of the claimed design.

[56] References Cited U.S. PATENT DOCUMENTS

D. 45,306 2/1914 Minshall D21/234
D. 80,142 12/1929 Schmitz D21/234
D. 217,627 5/1970 Terry D21/234
D. 254,017 1/1980 Norden D21/8
2,124,123 7/1938 Rosengarten 473/278

1 Claim, 1 Drawing Sheet



U.S. Patent

Jan. 13, 1998

Des. 389,212

