



US00D389210S

United States Patent [19]

Goodman

[11] Patent Number: Des. 389,210

[45] Date of Patent: **Jan. 13, 1998

[54] ADULT ADAPTIVE SKI SEAT

[75] Inventor: Michael Goodman, Sherwood, Oreg.

[73] Assignee: Radventure, Inc., Sherwood, Oreg.

[**] Term: 14 Years

[21] Appl. No.: 66,936

[22] Filed: Feb. 19, 1997

[51] LOC (6) Cl. 21-02

[52] U.S. Cl. D21/230; D6/374

[58] Field of Search D21/229, 230;
D6/333, 334, 374, 375, 349, 351; 297/DIG. 1,
DIG. 2, 183.3, 183.6, 183.9; D12/1, 6,
9

[56] **References Cited**

U.S. PATENT DOCUMENTS

- D. 341,723 11/1993 Edel D6/333
- D. 349,412 8/1994 Fallon D21/229 X

- D. 366,922 2/1996 Doty, Jr. D21/229
- 3,302,276 2/1967 Williams et al. 297/DIG. 2 X

Primary Examiner—Kay H. Chin
Attorney, Agent, or Firm—Marger, Johnson McCollum & Stolowitz P.C.

[57] **CLAIM**

The ornamental design for an adult adaptive ski seat, as shown and described.

DESCRIPTION

FIG. 1 is a right side elevational view of a child's adaptive ski seat showing my new design, the broken lines are for illustrative purposes only and form no part of the claimed design;

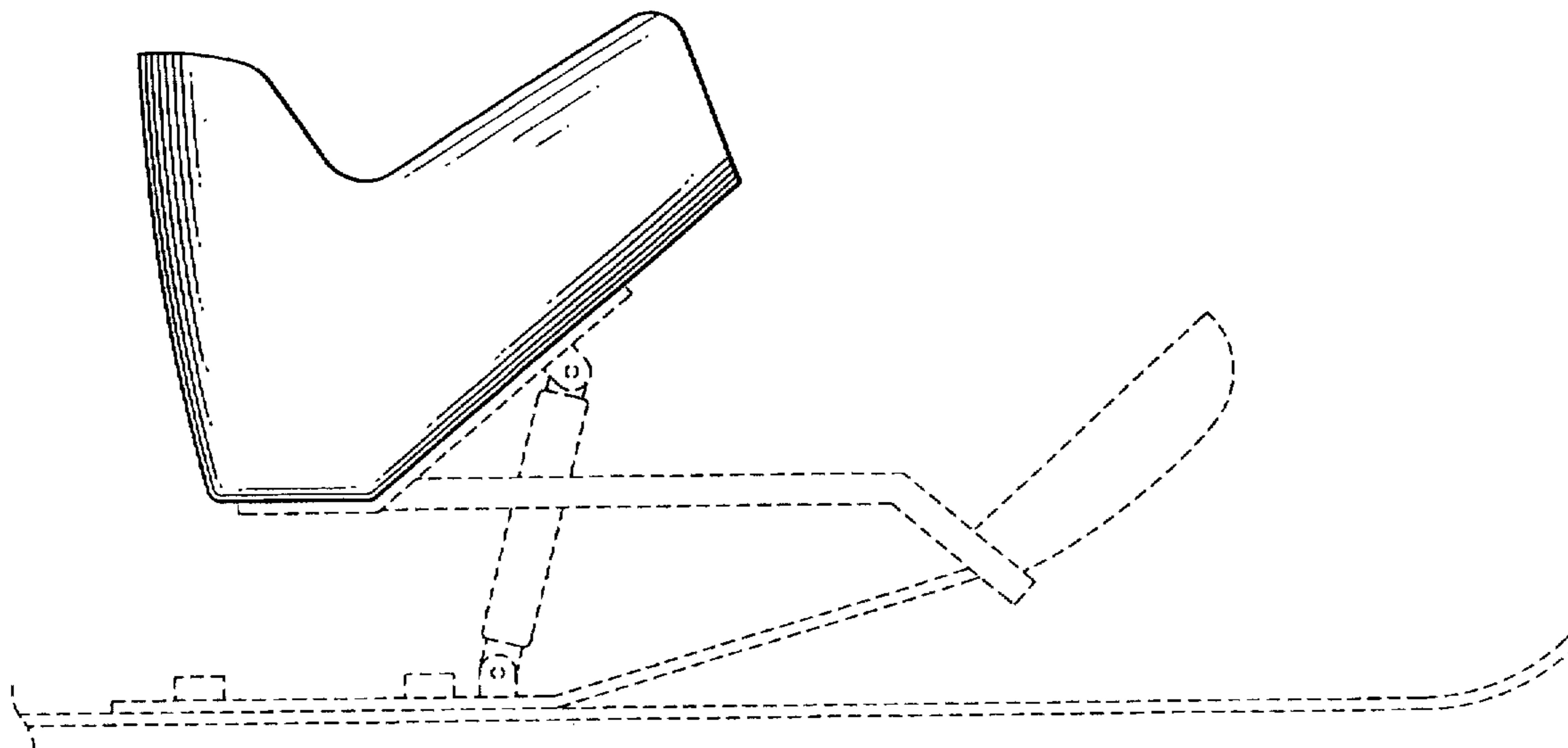
FIG. 2 is a front end view thereof;

FIG. 3 is back end view thereof;

FIG. 4 is a top plan view thereof; and,

FIG. 5 is a bottom view thereof.

1 Claim, 2 Drawing Sheets



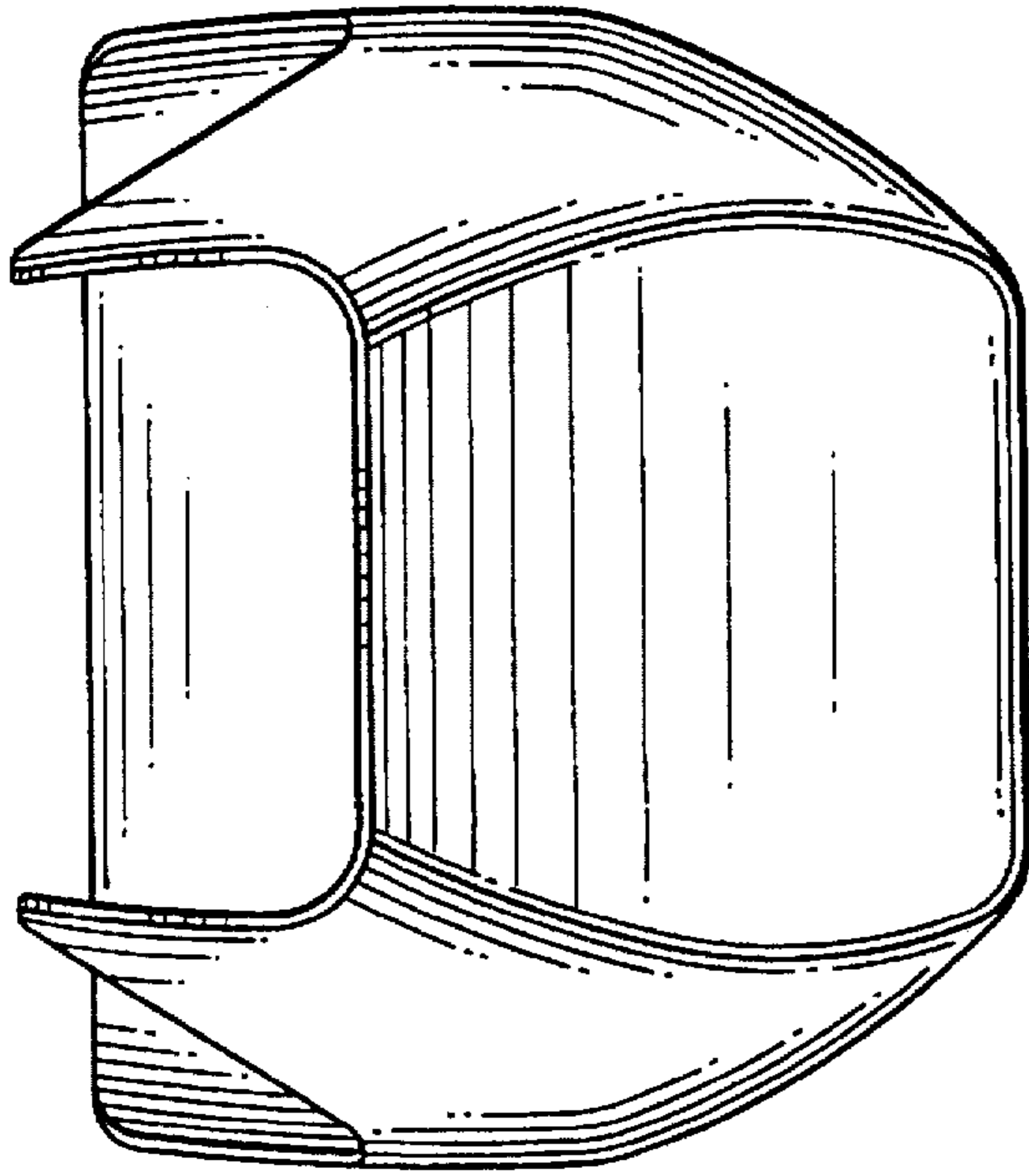


FIG. 2

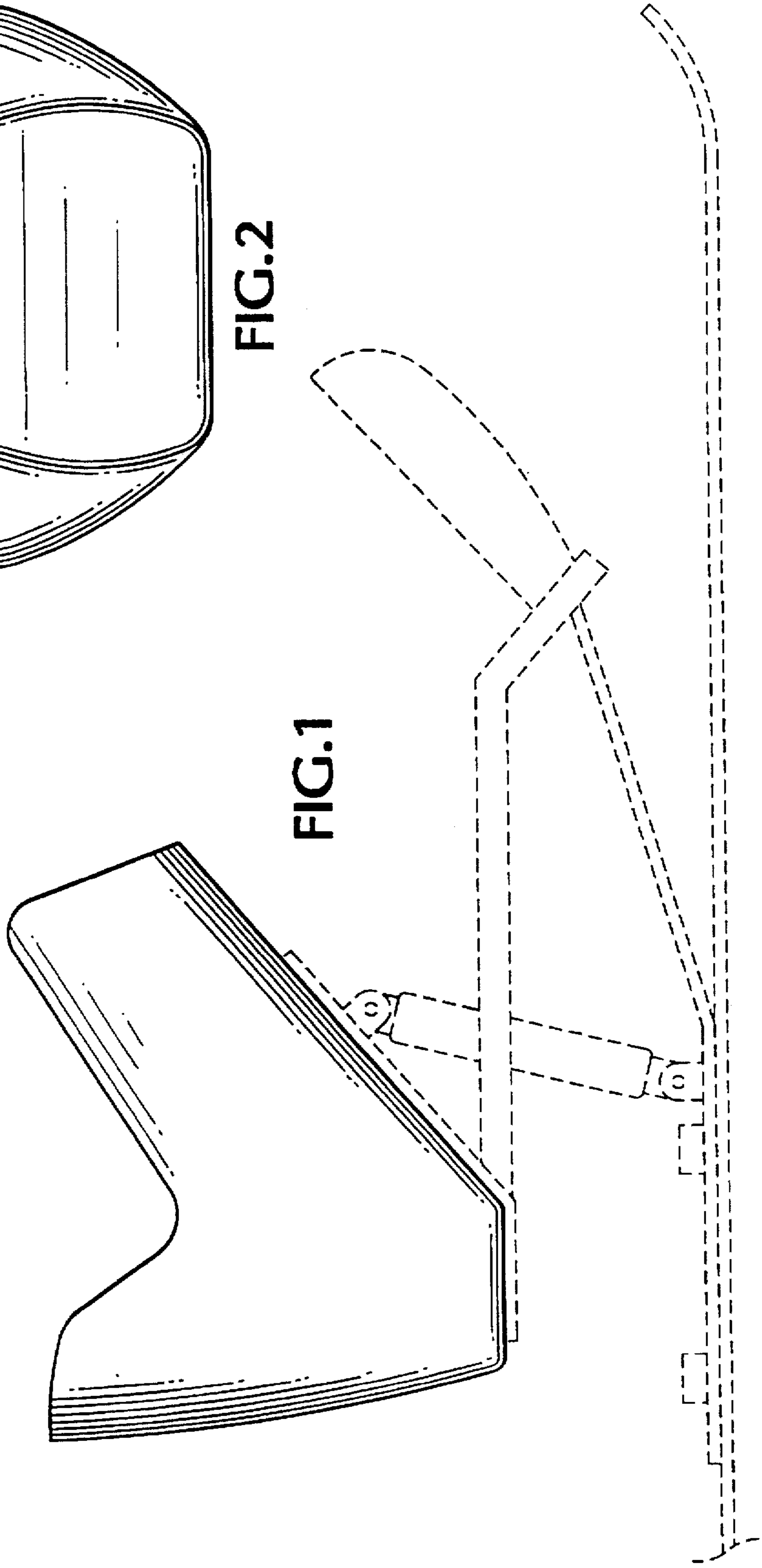


FIG. 1

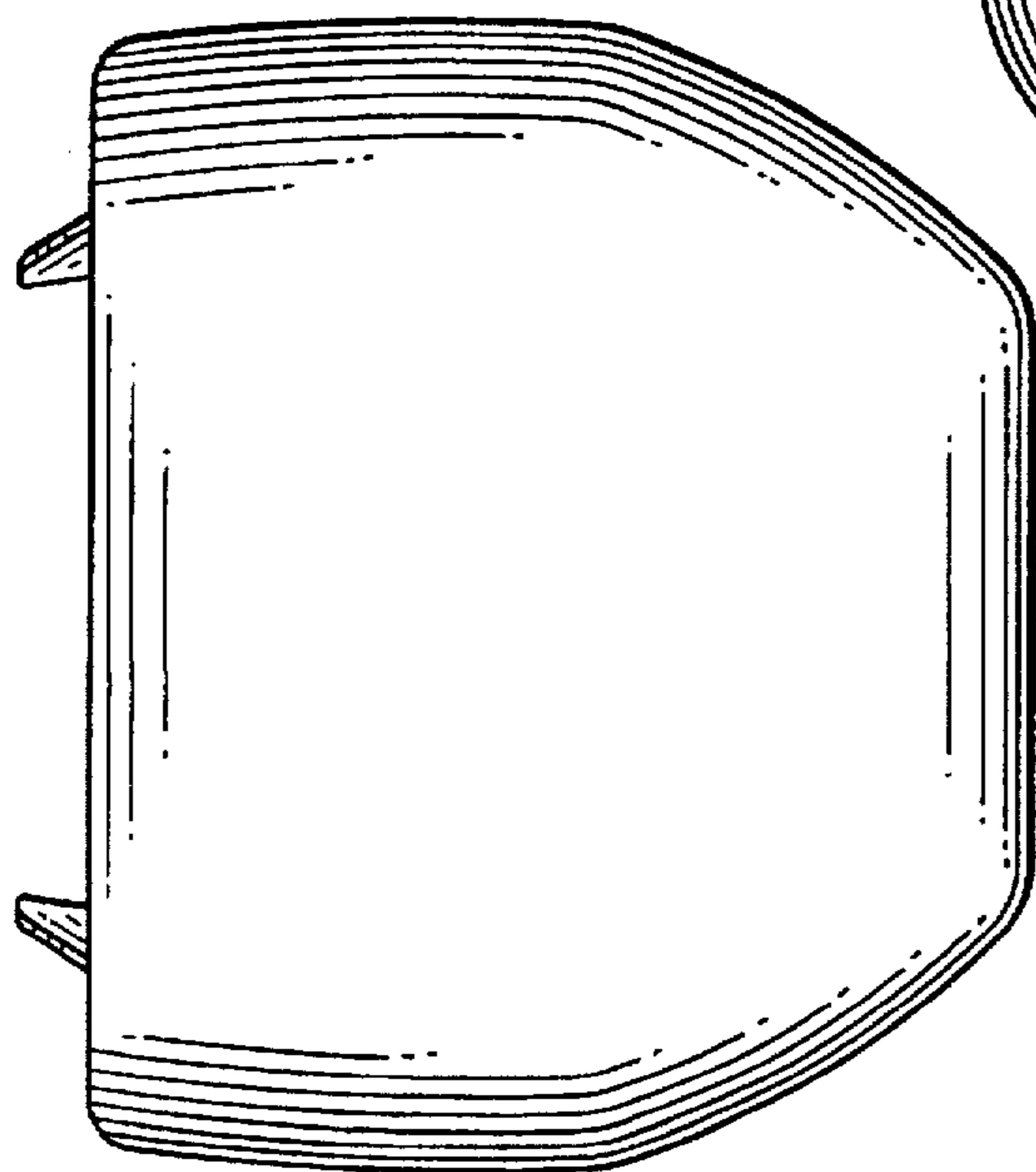


FIG. 3

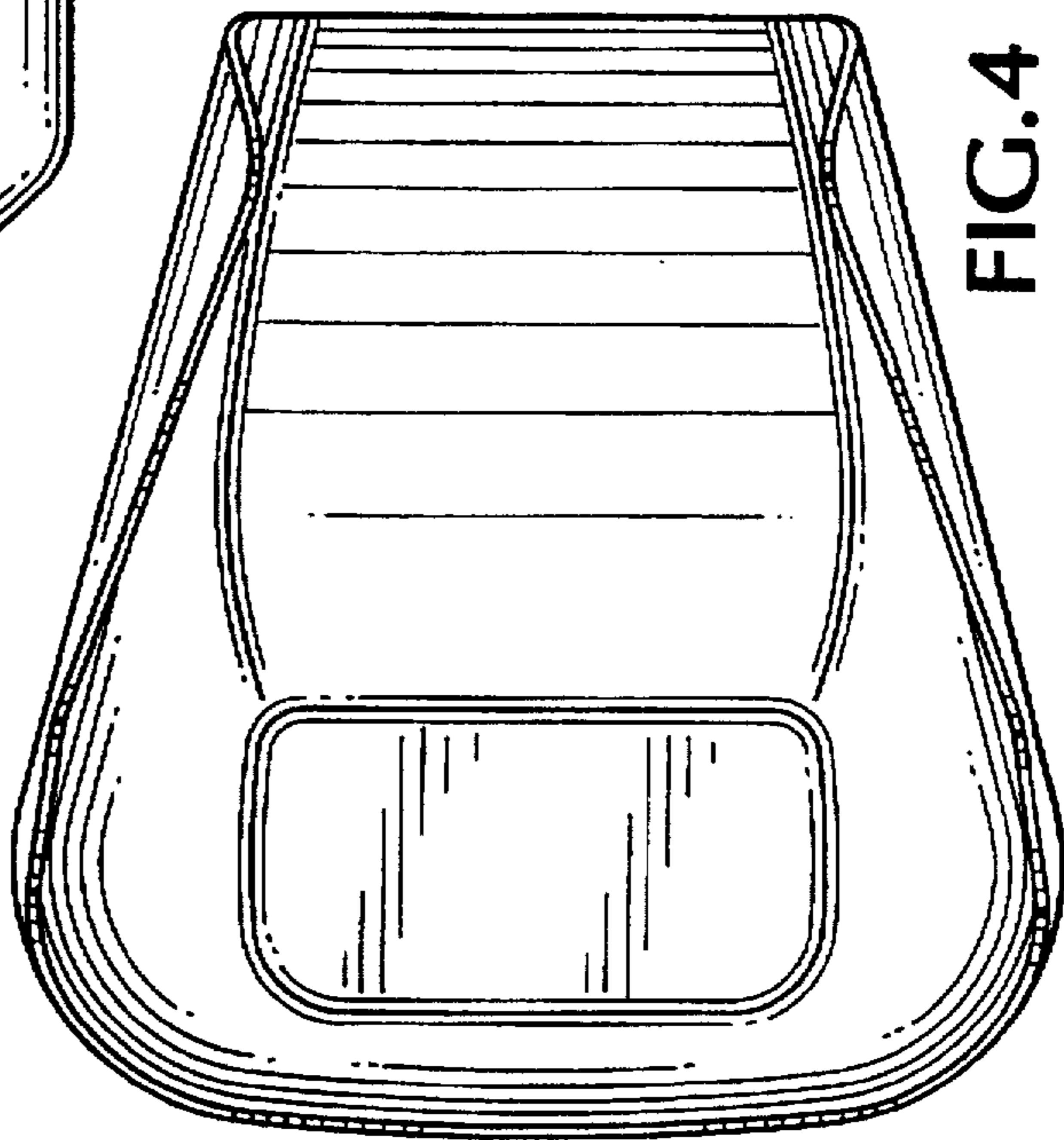


FIG. 4

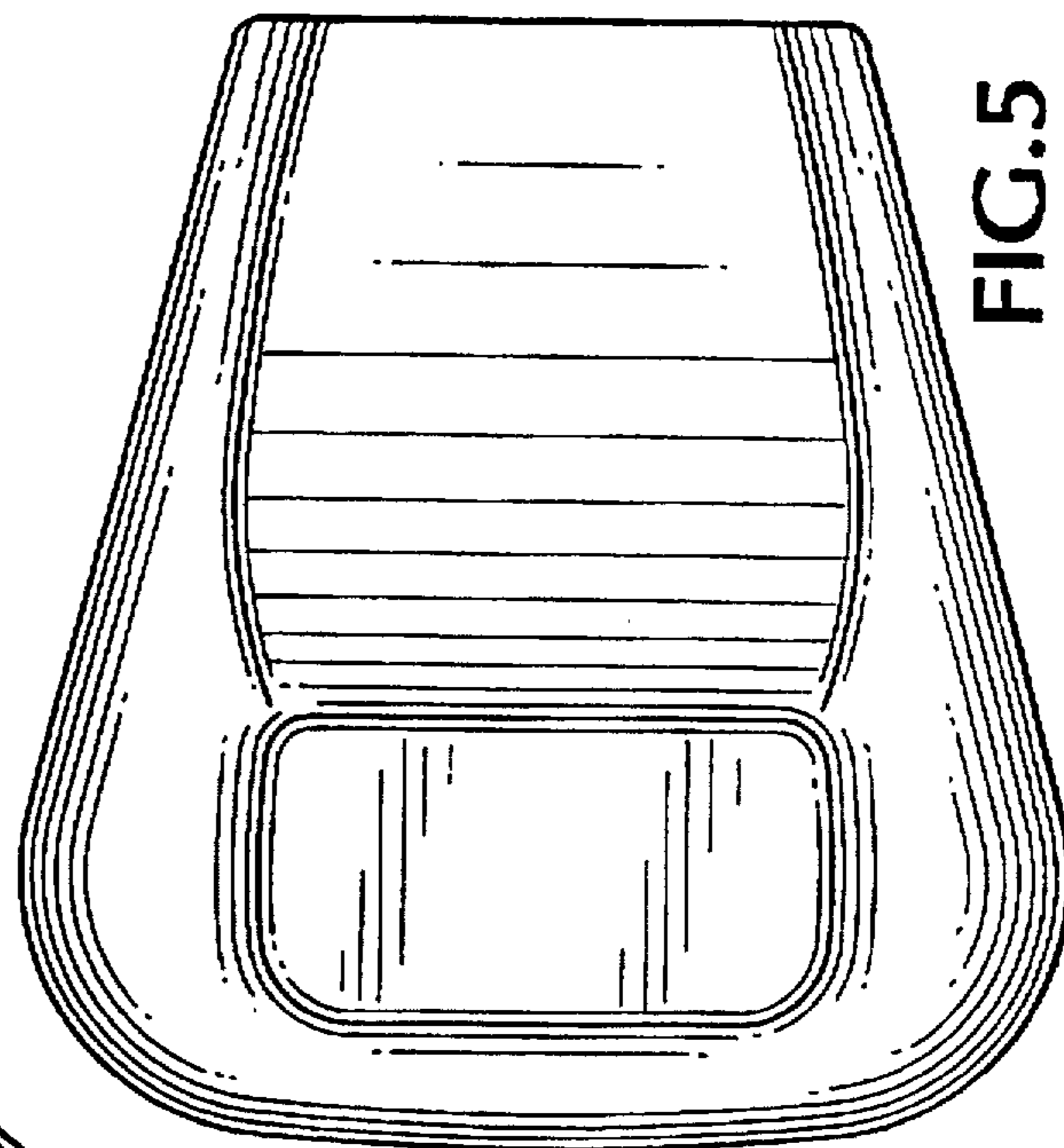


FIG. 5