

US00D389209S

United States Patent [19]
Goodman

[11] **Patent Number:** **Des. 389,209**
[45] **Date of Patent:** ****Jan. 13, 1998**

[54] **CHILD'S ADAPTIVE SKI SEAT**
[75] **Inventor:** **Michael Goodman, Sherwood, Oreg.**
[73] **Assignee:** **Radventure, Inc., Sherwood, Oreg.**
[**] **Term:** **14 Years**
[21] **Appl. No.:** **66,741**
[22] **Filed:** **Feb. 19, 1997**
[51] **LOC (6) Cl.** **21-02**
[52] **U.S. Cl.** **D21/230; D6/374**
[58] **Field of Search** **D21/229, 230;**
D6/333, 334, 374, 375, 349, 351; 297/DIG. 1,
DIG. 2, 183.3, 183.6, 183.9; D12/1, 6,
9

D. 366,922 2/1996 Doty, Jr. D21/229
3,302,276 2/1967 Williams et al. 297/DIG. 2 X

Primary Examiner—Kay H. Chin
Attorney, Agent, or Firm—Marger, Johnson, McCollom & Stolowitz, P.C.

[57] **CLAIM**

The ornamental design for a child's adaptive ski seat, as shown and described.

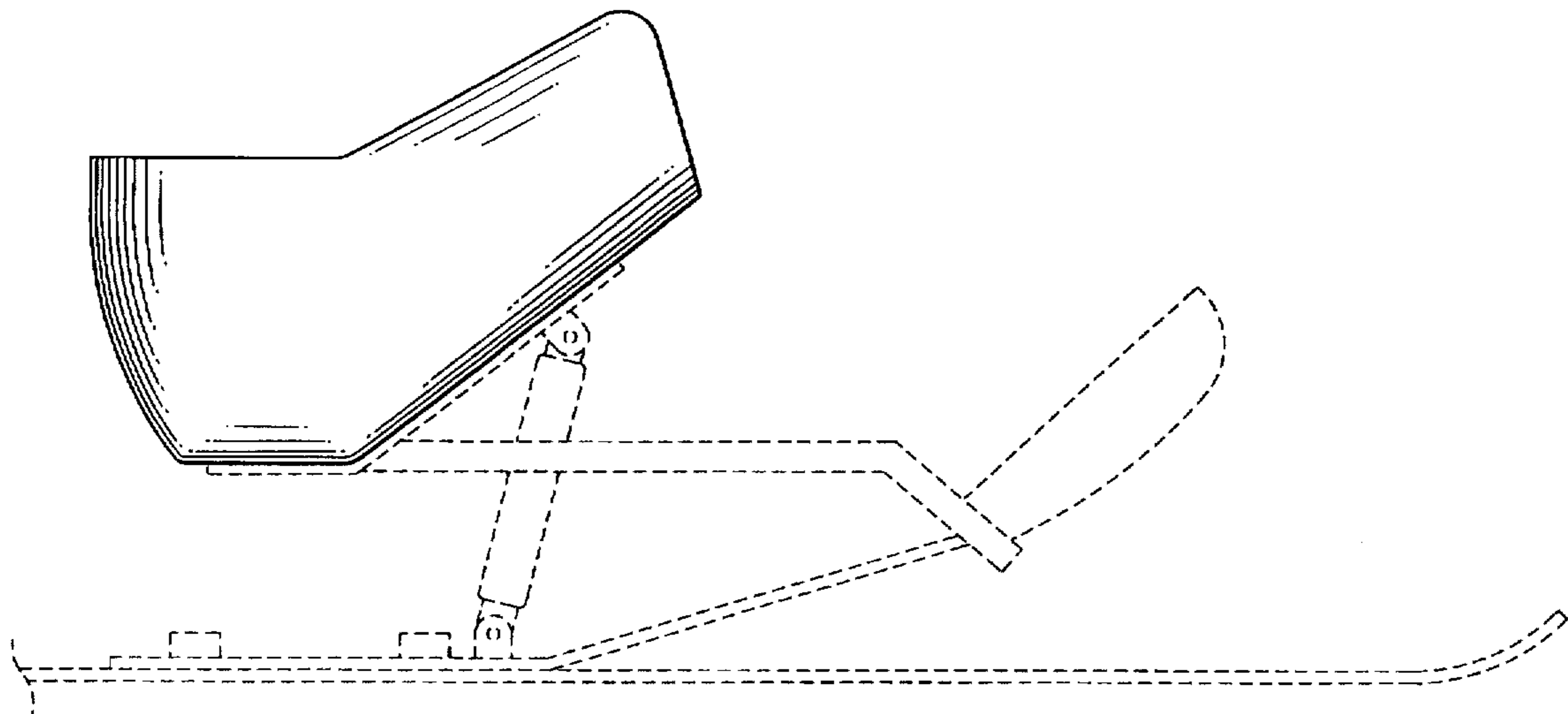
DESCRIPTION

FIG. 1 is a right side elevational view of a child's adaptive ski seat showing my new design, the broken lines are for illustrative purposes only and form no part of the claimed design;
FIG. 2 is a front end view thereof;
FIG. 3 is a back end view thereof;
FIG. 4 is a top plan view thereof; and,
FIG. 5 is a bottom view thereof.

[56] **References Cited**
U.S. PATENT DOCUMENTS

D. 341,723 11/1993 Edel D6/333
D. 349,412 8/1994 Fallon D21/229 X

1 Claim, 2 Drawing Sheets



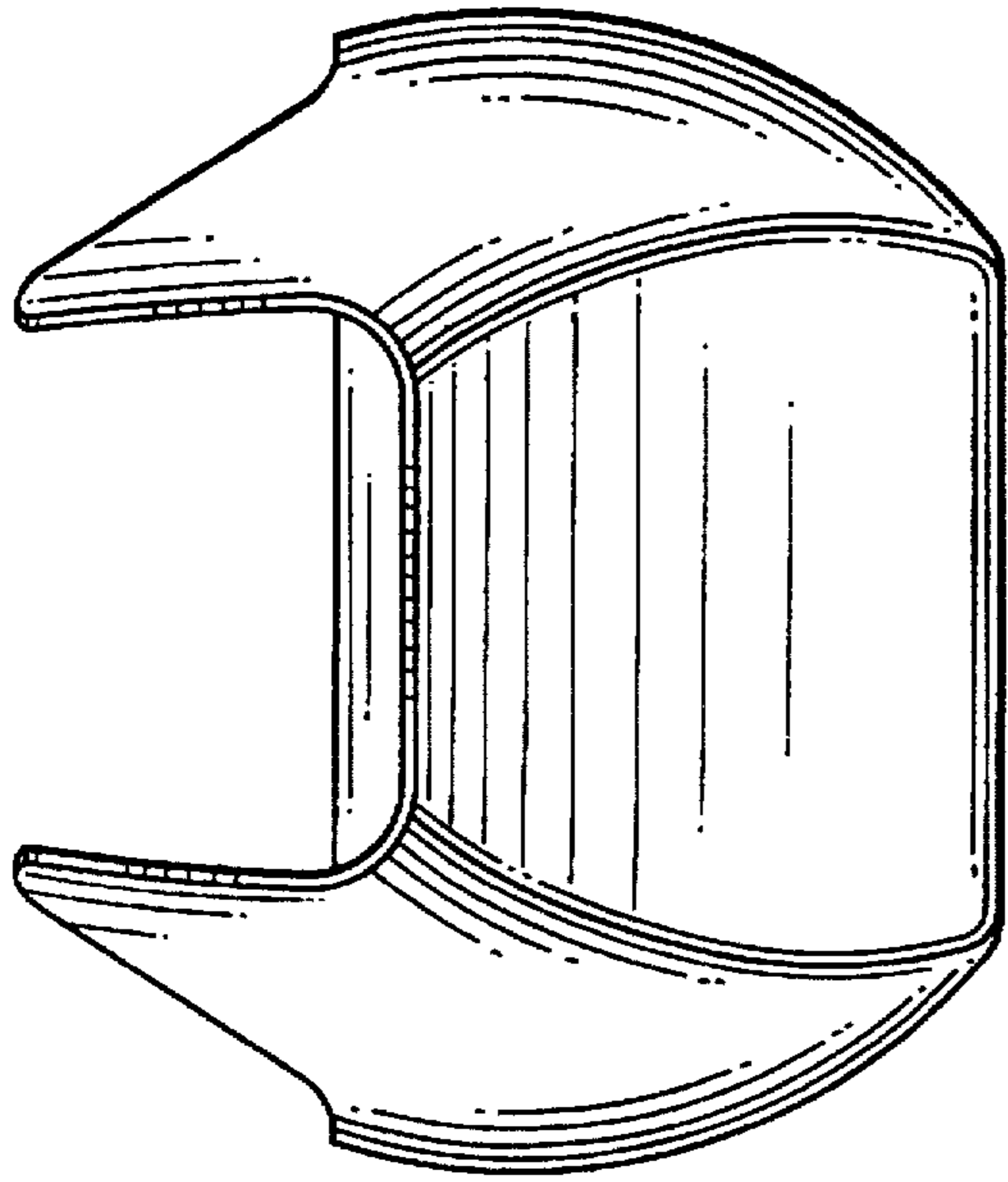


FIG. 2

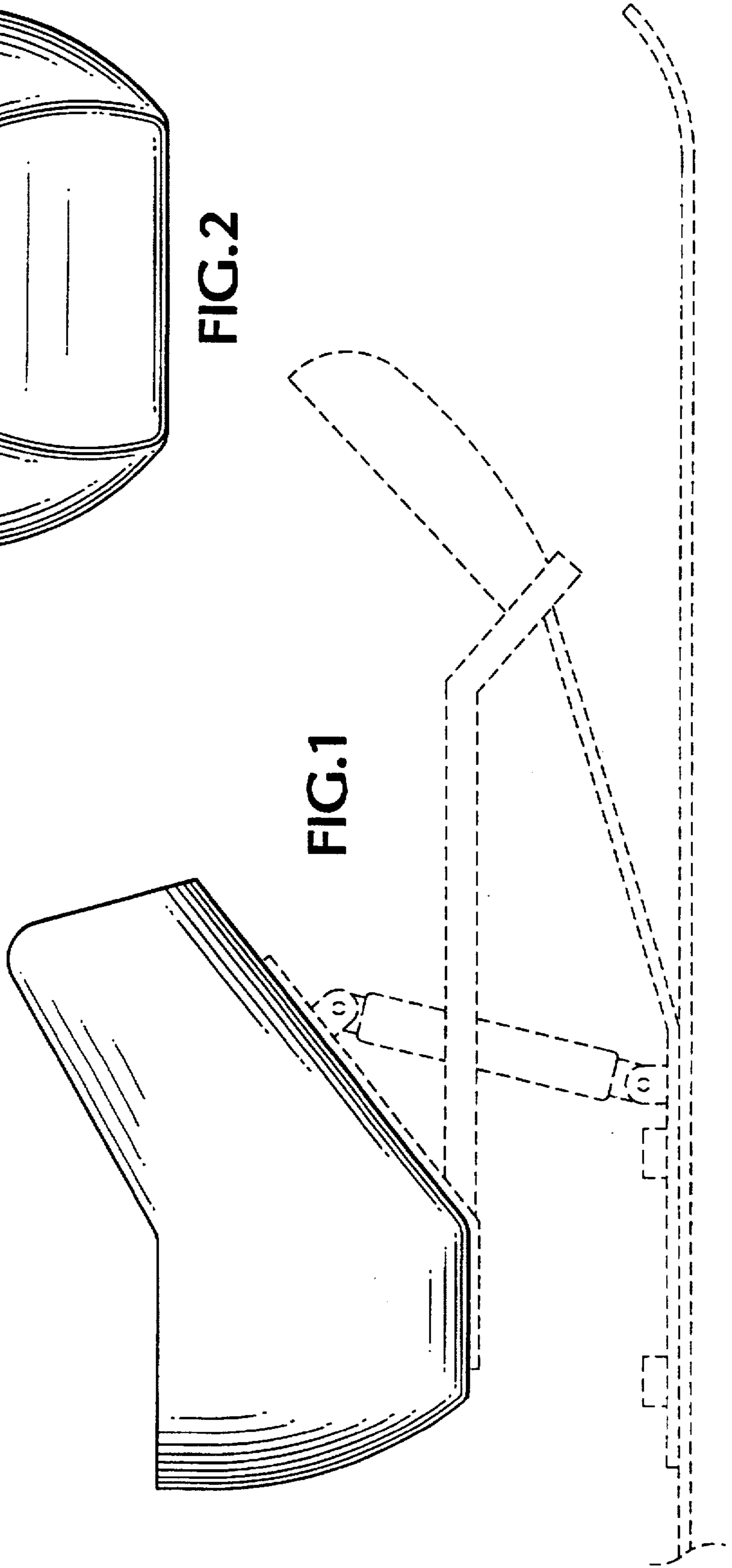


FIG. 1

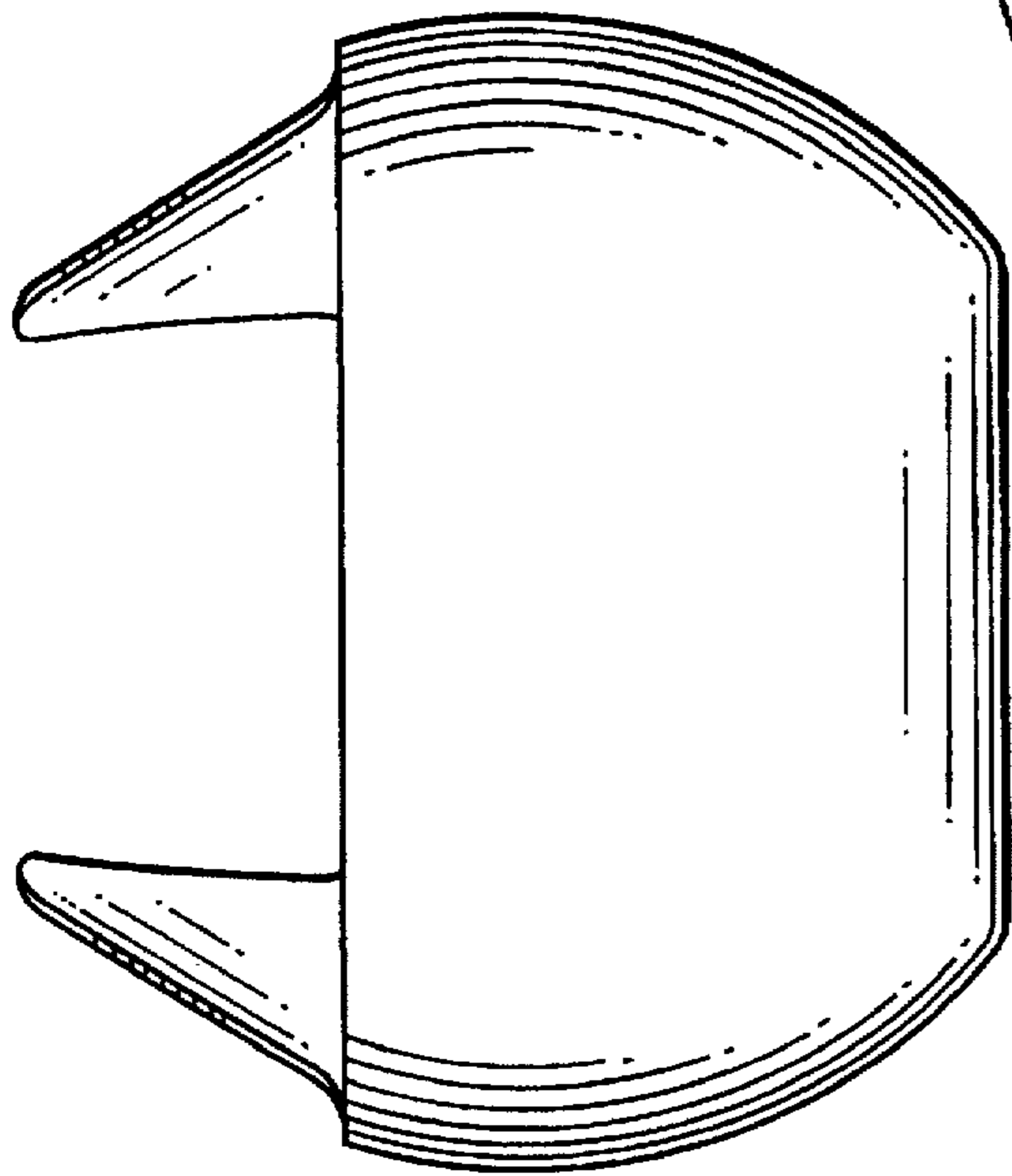


FIG. 3

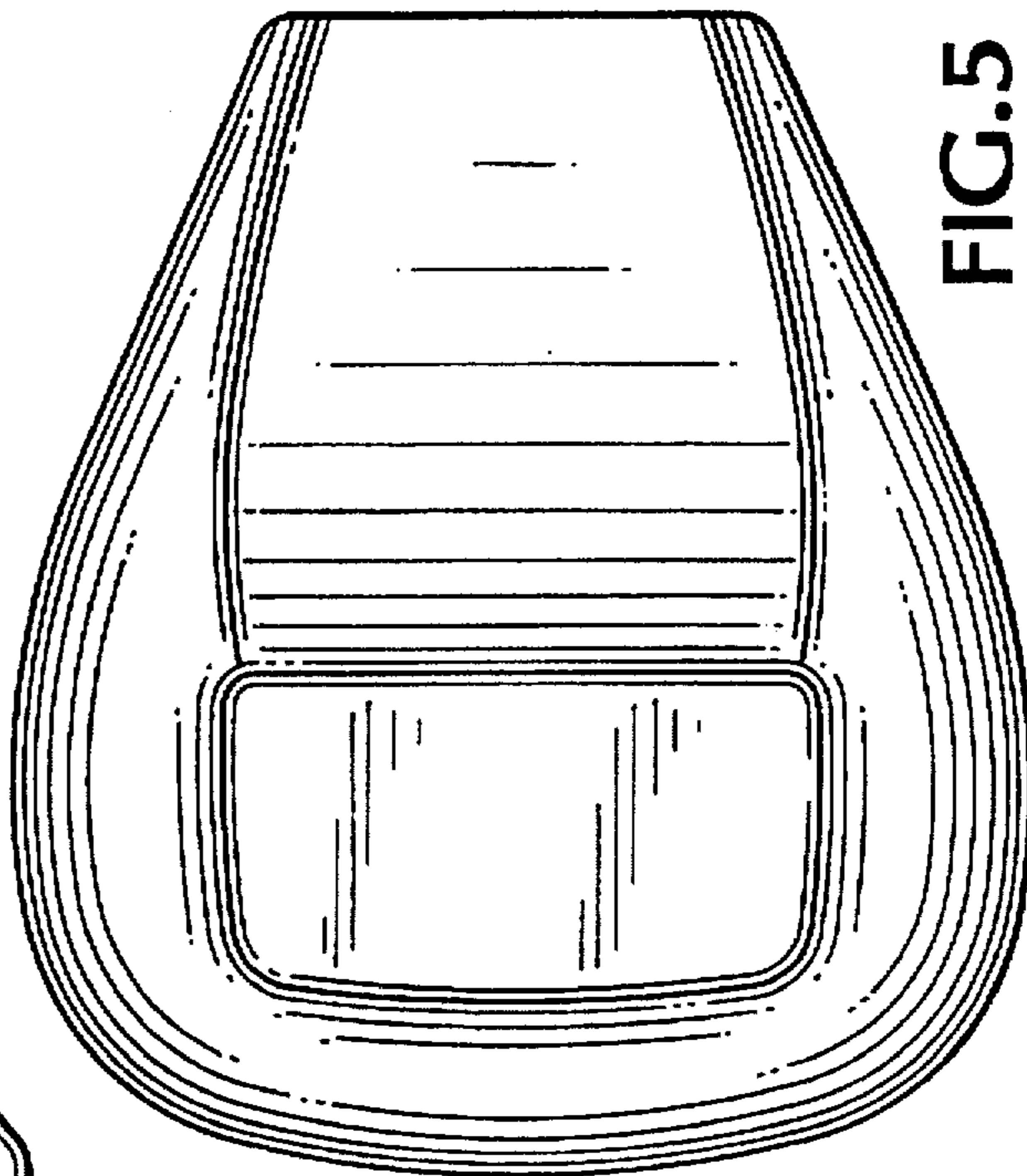


FIG. 5

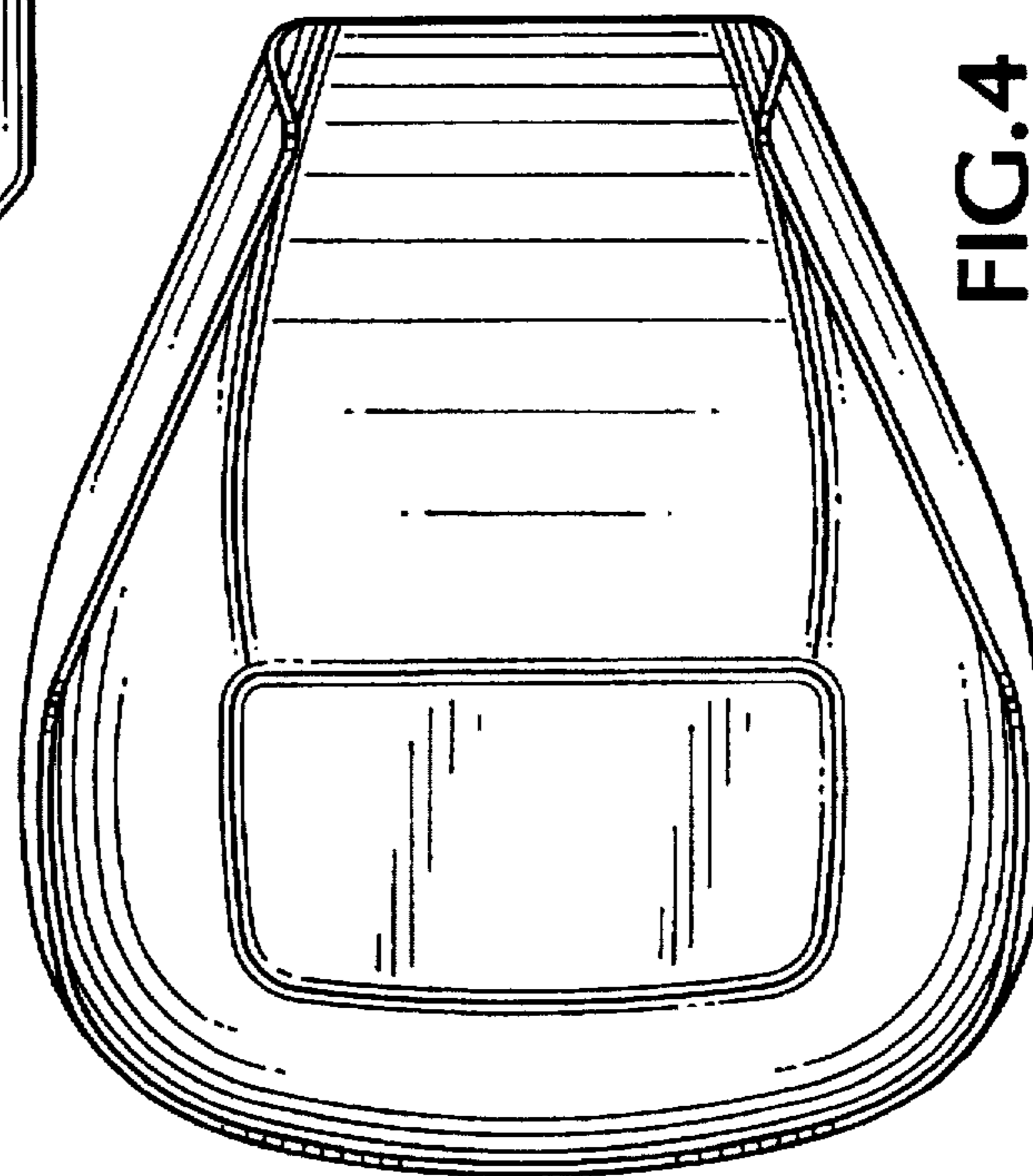


FIG. 4