



US00D389207S

United States Patent [19] Cameron

[11] Patent Number: **Des. 389,207**
[45] Date of Patent: ****Jan. 13, 1998**

[54] GOLF CLUB HEAD

[76] Inventor: **Don T. Cameron**, 7301 Bolero St.,
Carlsbad, Calif. 92009

[**] Term: **14 Years**

[21] Appl. No.: **59,309**

[22] Filed: **Sep. 6, 1996**

[51] LOC (6) Cl. **21-02**

[52] U.S. Cl. **D21/217**

[58] Field of Search D21/217-219,
D21/214, 220; 473/251-255, 340, 341,
324

[56] References Cited

U.S. PATENT DOCUMENTS

D. 207,227	3/1967	Solheim	D21/217
D. 234,608	3/1975	Raymont	D21/220
D. 239,951	5/1976	Carrier	D21/217
D. 271,317	11/1983	Bredl	D21/219
D. 314,029	1/1991	Allen	D21/214
D. 346,002	4/1994	Collins	D21/219
D. 350,582	9/1994	Miansian et al.	D21/217
D. 351,443	10/1994	Caugh et al.	
D. 356,844	3/1995	Solheim et al.	D21/217
D. 368,126	3/1996	Magerman et al.	D21/219
D. 373,161	8/1996	Schmidt et al.	
572,436	12/1896	Mills	
873,423	12/1907	Govan	
922,444	5/1909	Youds	
2,429,351	10/1947	Fetterolf	
3,134,596	5/1964	Boznos	
3,218,072	11/1965	Burr	
3,695,618	10/1972	Woolley et al.	
3,975,023	8/1976	Inamori	
3,989,248	11/1976	Campau	
4,156,526	5/1979	Huggins et al.	
4,199,144	4/1980	Skelly	
4,422,638	12/1983	Tucker	
4,679,792	7/1987	Straza et al.	
4,681,322	7/1987	Straza et al.	
4,730,830	3/1988	Tilley	
4,792,140	12/1988	Yamaguchi et al.	

(List continued on next page.)

OTHER PUBLICATIONS

Golf World; p. 15; golf clubs on top and bottom of page, Apr. 1965.

Golf Digest; p. 104; John Lambert ad on middle left of page, May 1972.

Golf Equipment Universal Catalogue, 1995, Grass Hunter golf clubs, p. 448.

Primary Examiner—Ted Shooman

Assistant Examiner—Mitchell I. Siegel

[57] CLAIM

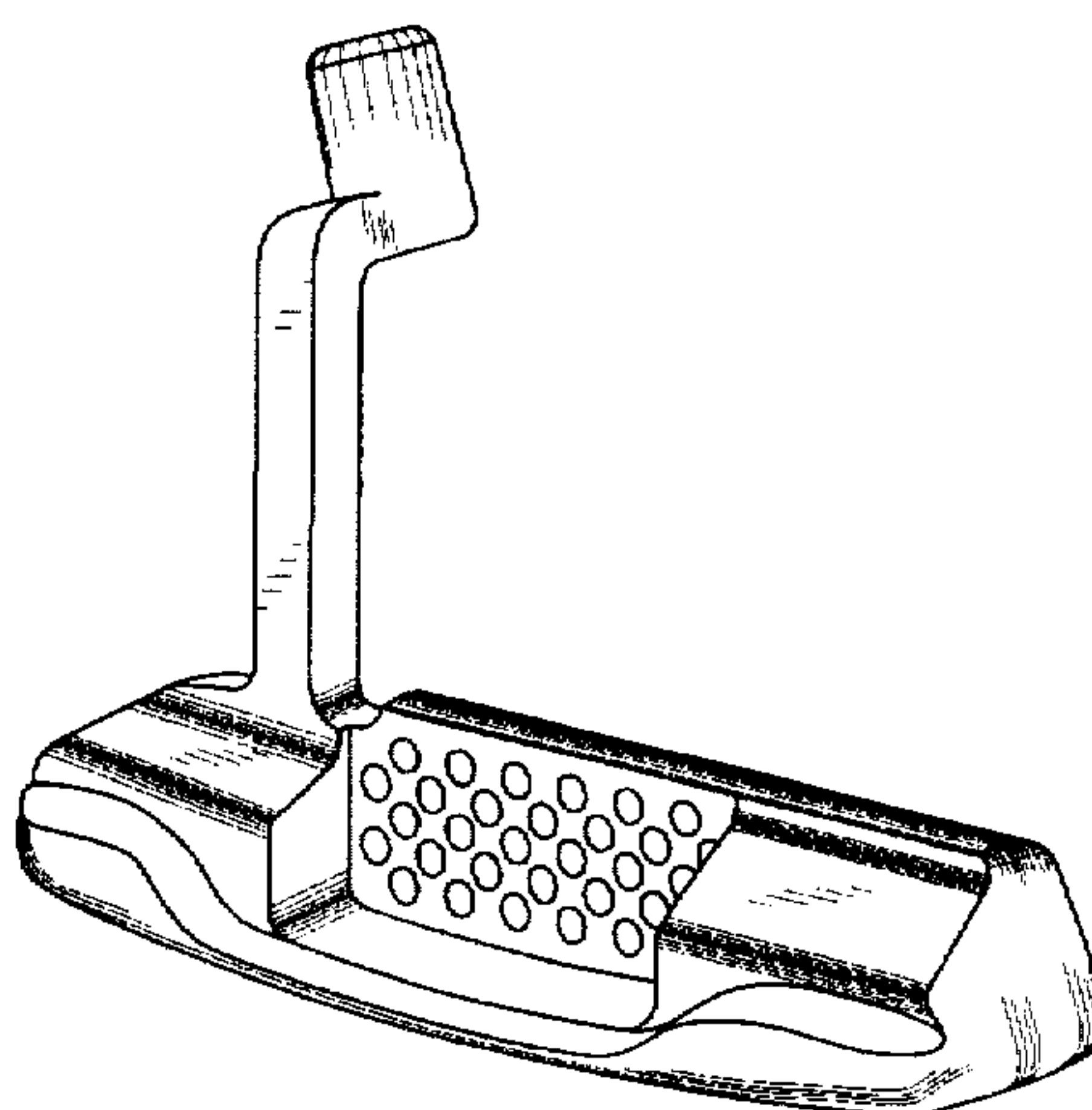
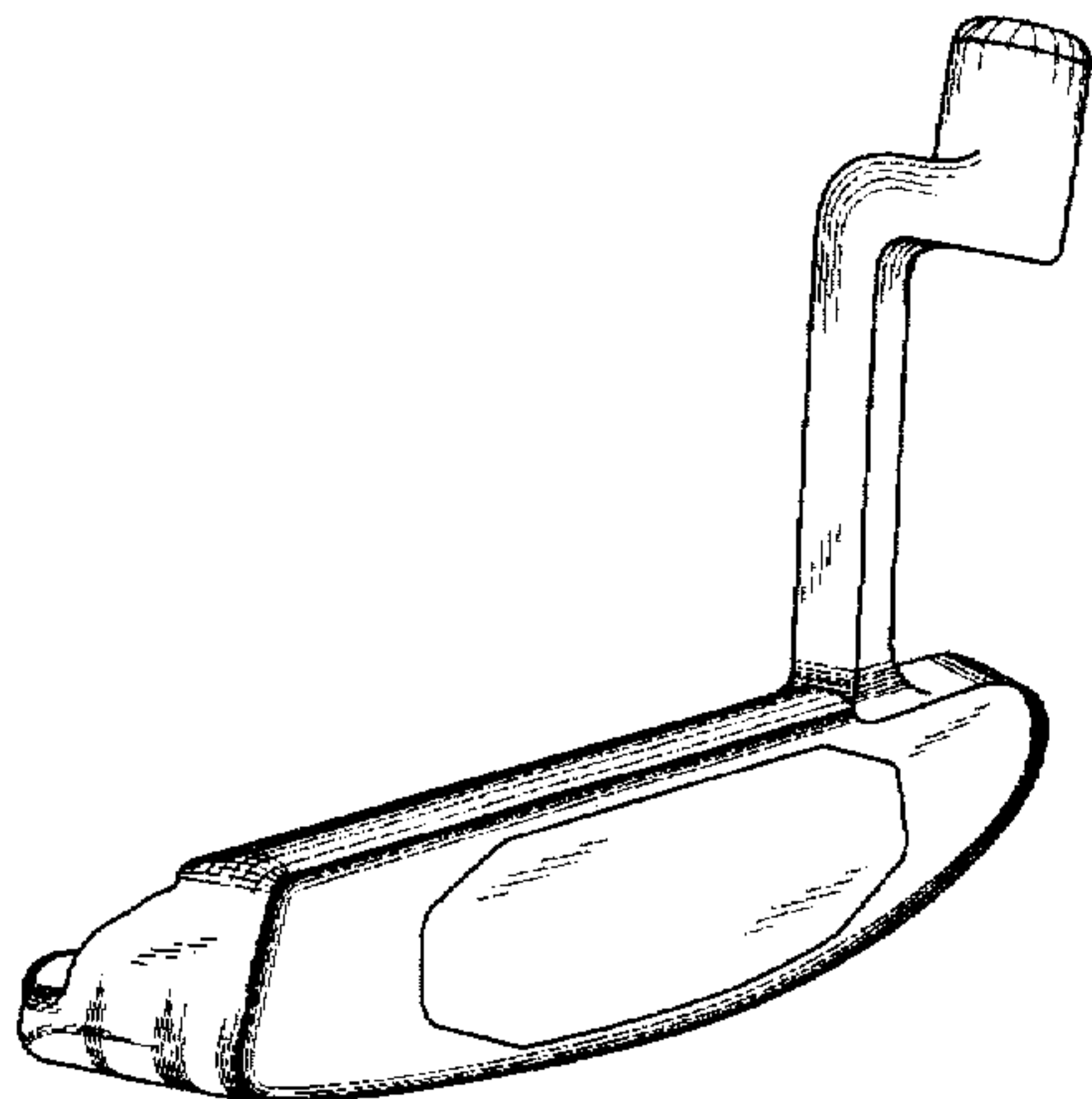
The ornamental design for a golf club head, as shown and described.

DESCRIPTION

FIG. 1 is a front perspective view of the first embodiment of the golf club head of the present invention;
 FIG. 2 is a front elevational view thereof;
 FIG. 3 is a rear perspective view thereof;
 FIG. 4 is a rear elevational view thereof;
 FIG. 5 is a toe side elevational view thereof;
 FIG. 6 is a heel side elevational view thereof;
 FIG. 7 is a top elevational view thereof;
 FIG. 8 is a bottom elevational view thereof;
 FIG. 9 is a front perspective view of a second embodiment of the golf club head of the present invention;
 FIG. 10 is a front elevational view of the second embodiment;
 FIG. 11 is a rear perspective view of the second embodiment;
 FIG. 12 is a rear elevational view of the second embodiment;
 FIG. 13 is a toe side elevational view of the second embodiment;
 FIG. 14 is a heel side elevational view of the second embodiment;
 FIG. 15 is a top elevational view of the second embodiment;
 and,
 FIG. 16 is a bottom elevational view of the second embodiment.

In the second embodiment (FIGS. 9-16), the stipple shading on club head indicates the color black, the cross hatching on the striking surface insert indicates the surface is copper and the circles on the recessed back indicates the color white.

1 Claim, 16 Drawing Sheets



U.S. PATENT DOCUMENTS

4,930,781	6/1990	Allen .	5,301,941	4/1994	Allen .
5,060,951	10/1991	Allen .	5,346,213	9/1994	Yamada .
5,078,397	1/1992	Aizawa .	5,398,929	3/1995	Kitaichi .
5,083,778	1/1992	Douglass .	5,407,202	4/1995	Igarashi .
			5,425,535	6/1995	Gee .

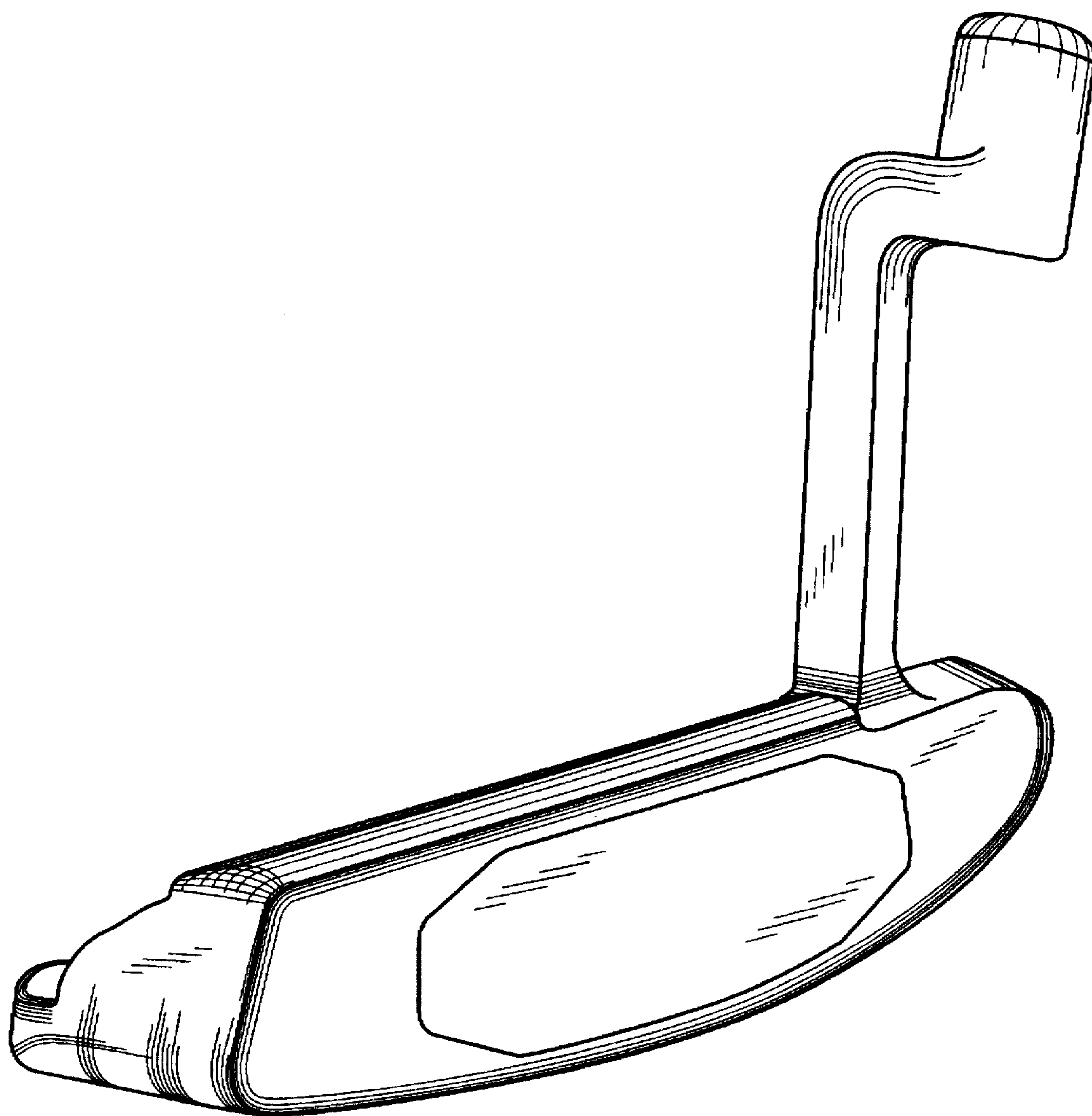


FIG. 1

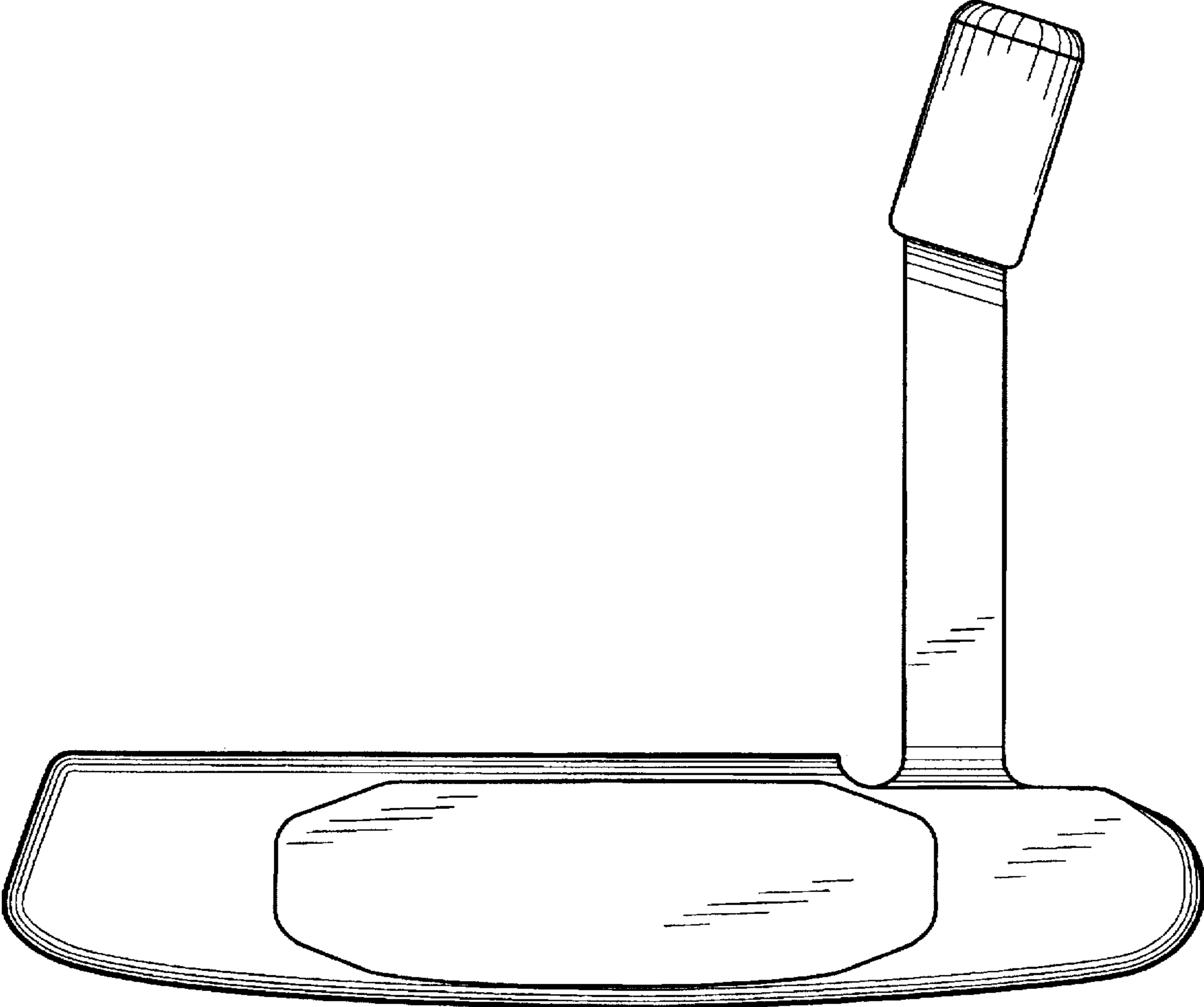


FIG. 2

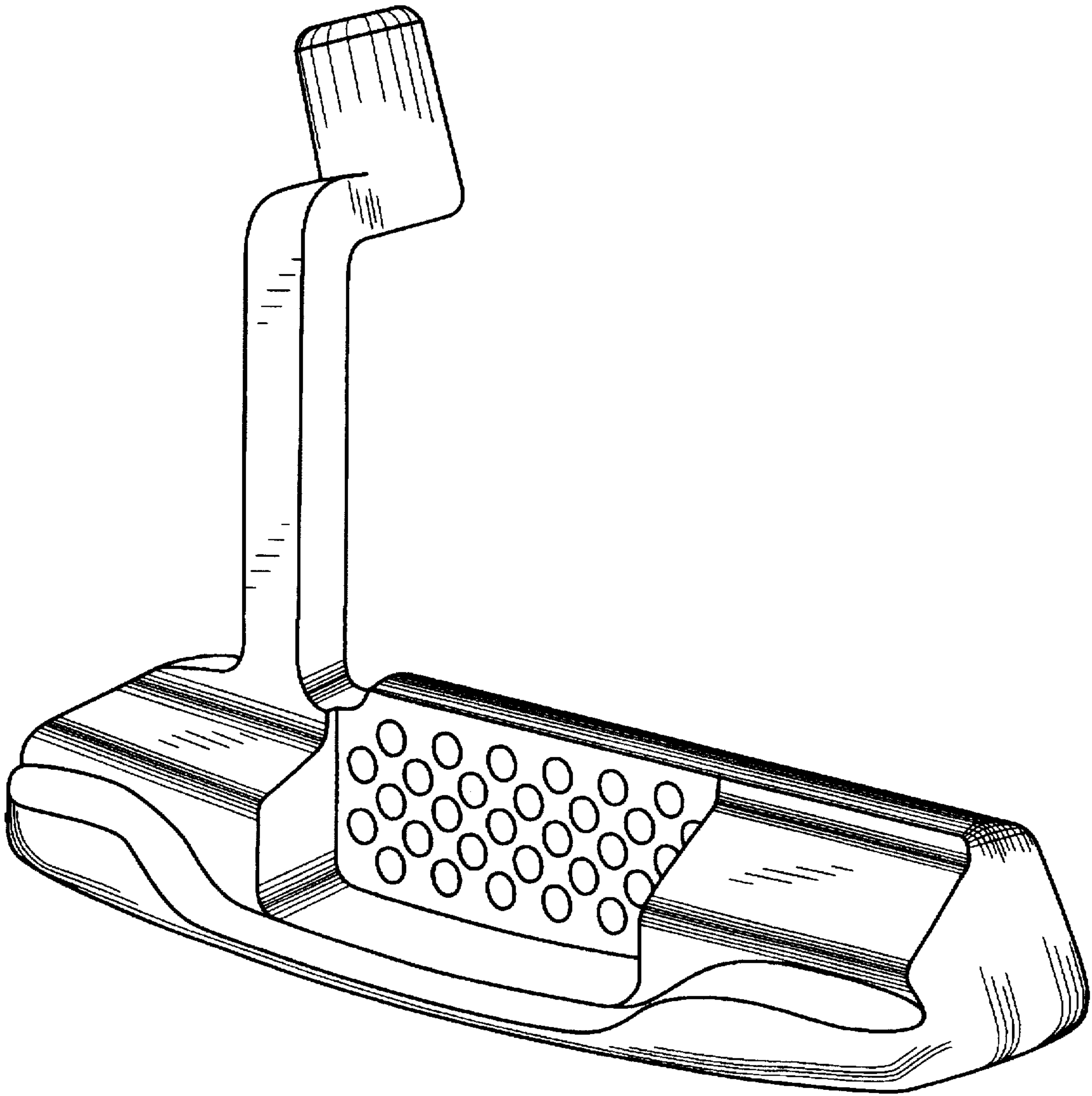


FIG. 3

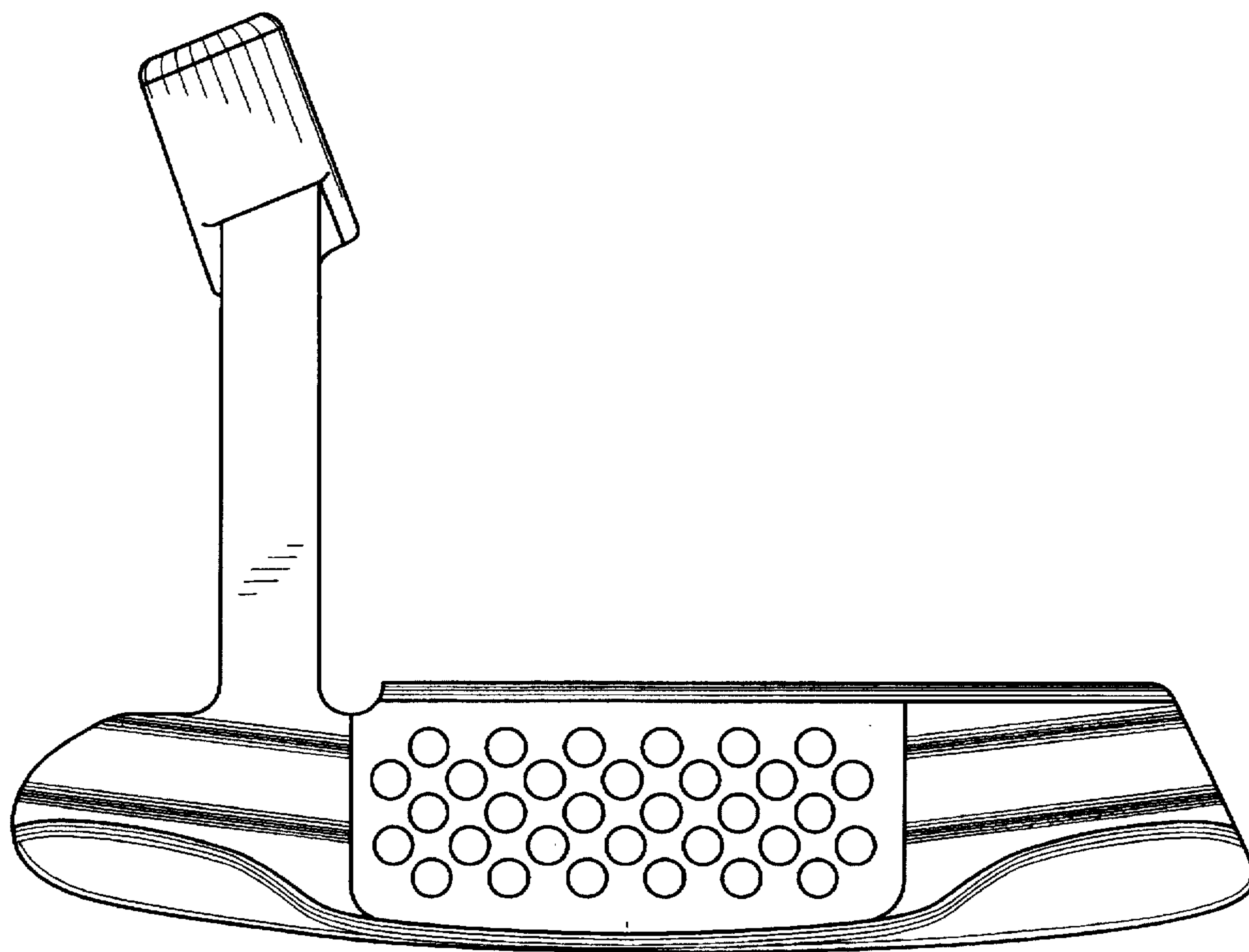


FIG. 4

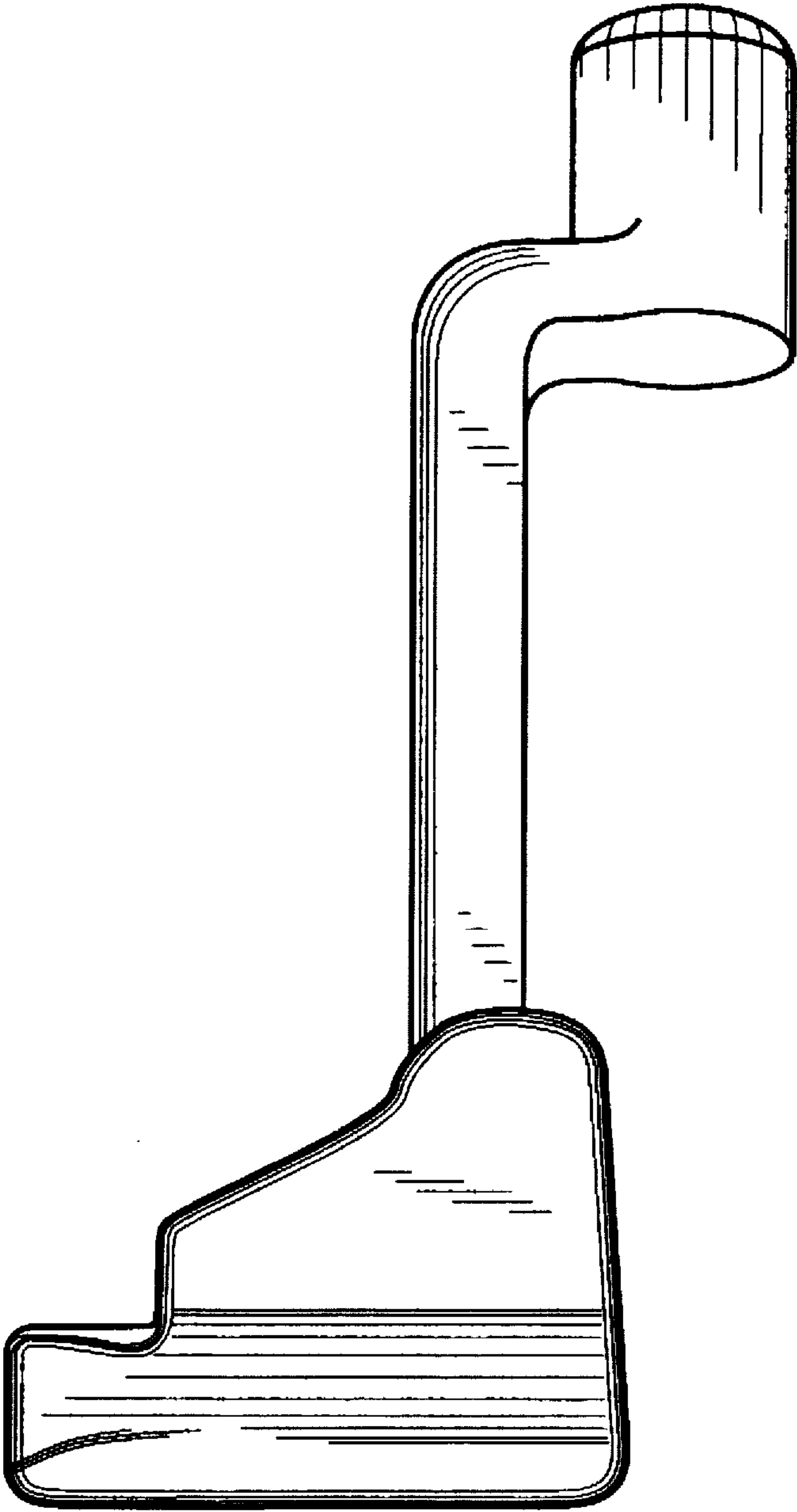


FIG. 5

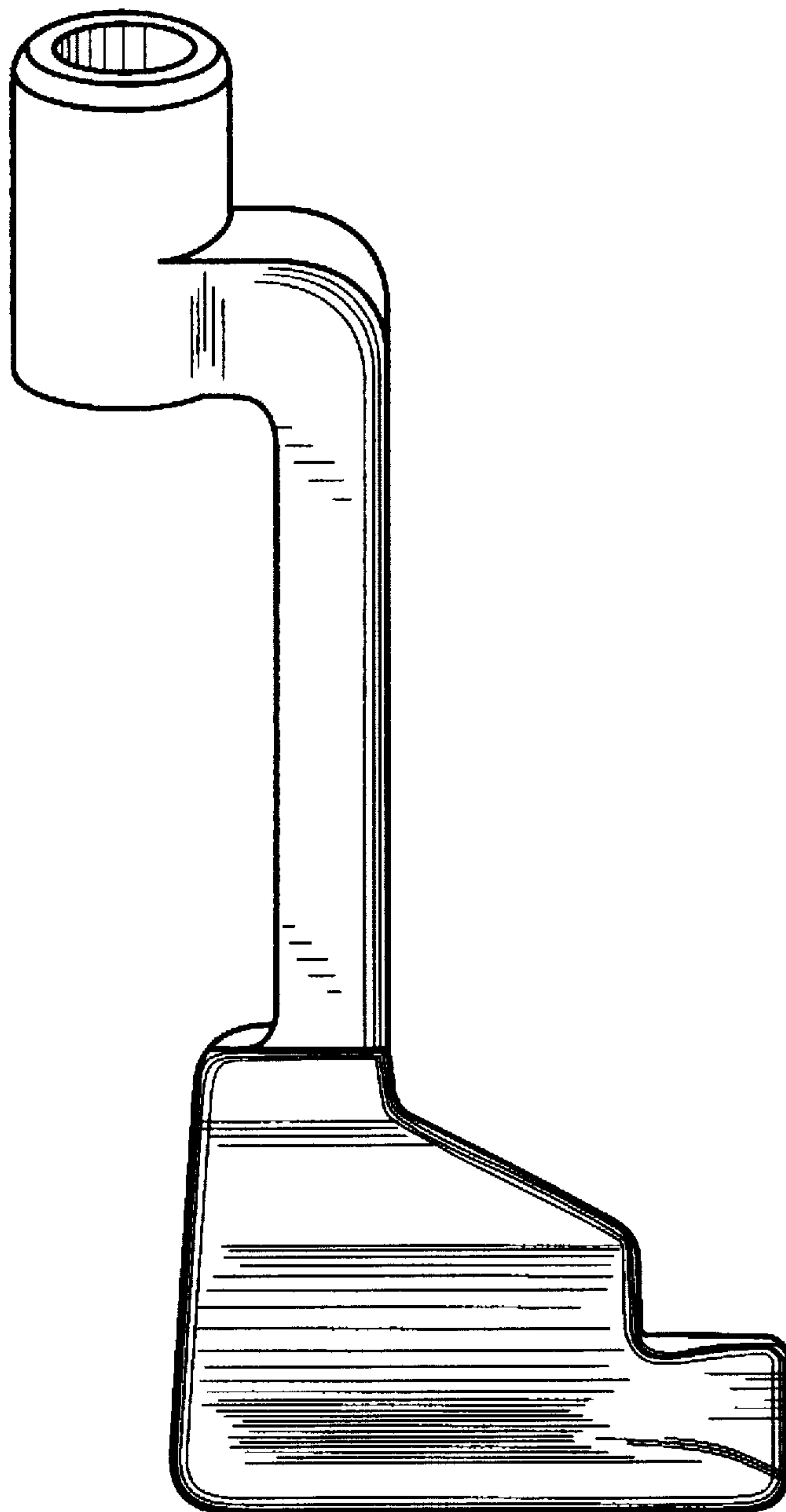


FIG. 6

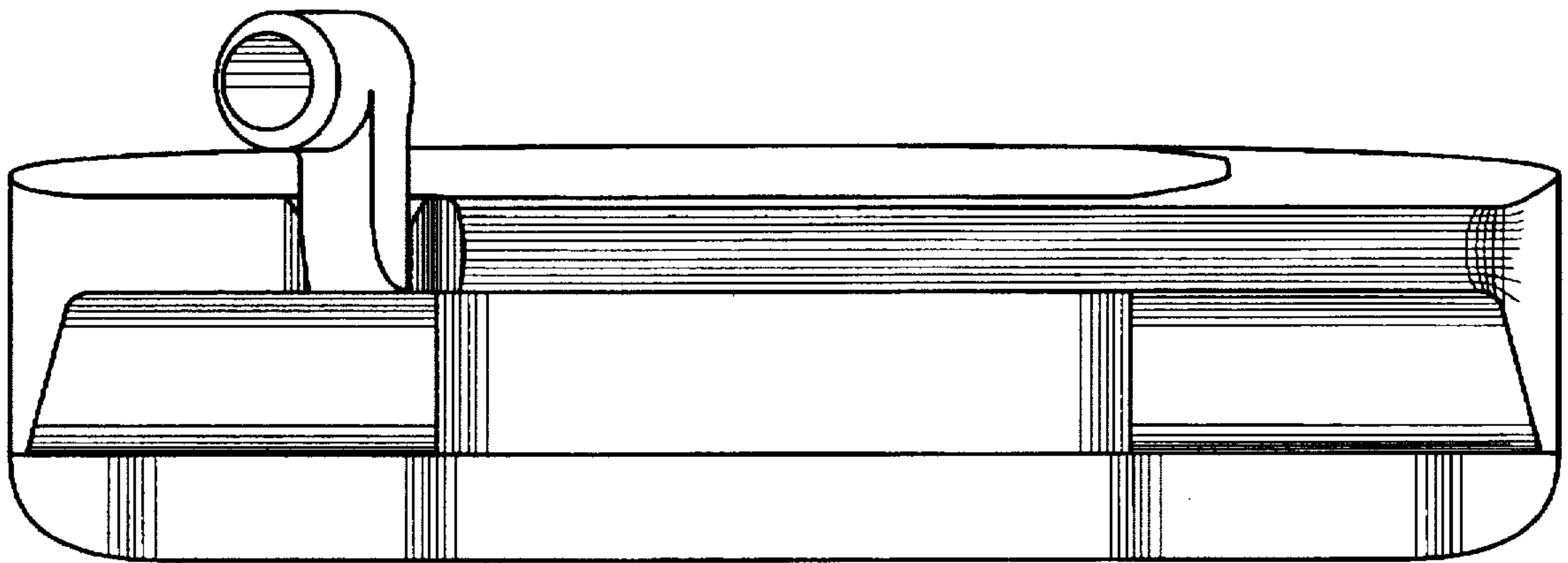


FIG. 7

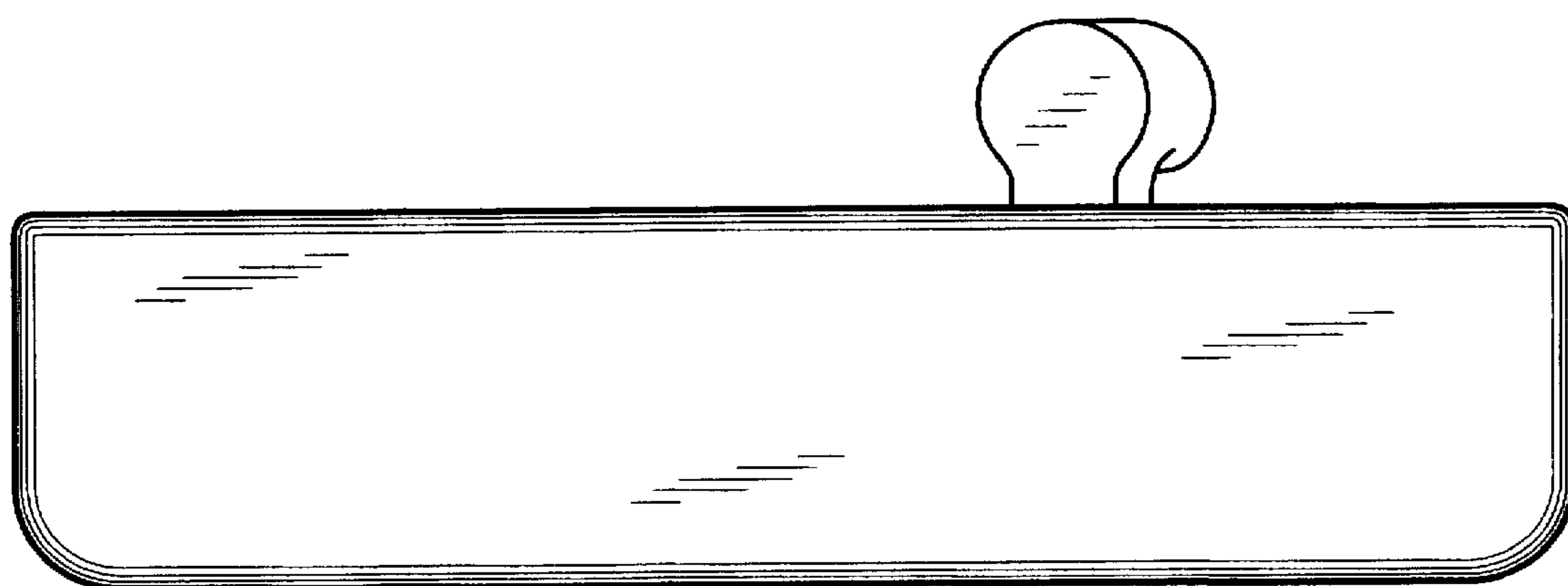


FIG. 8

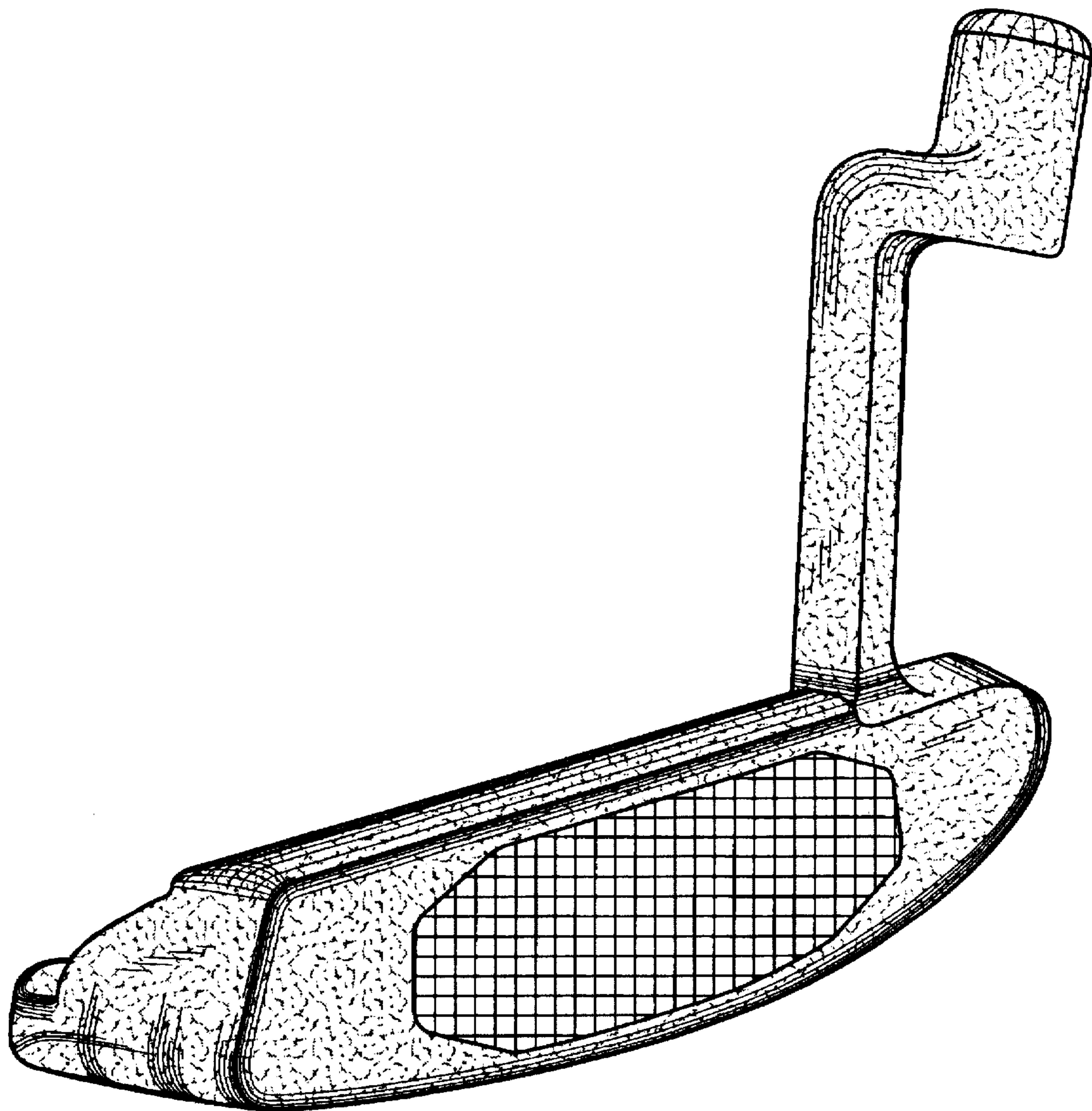


FIG. 9

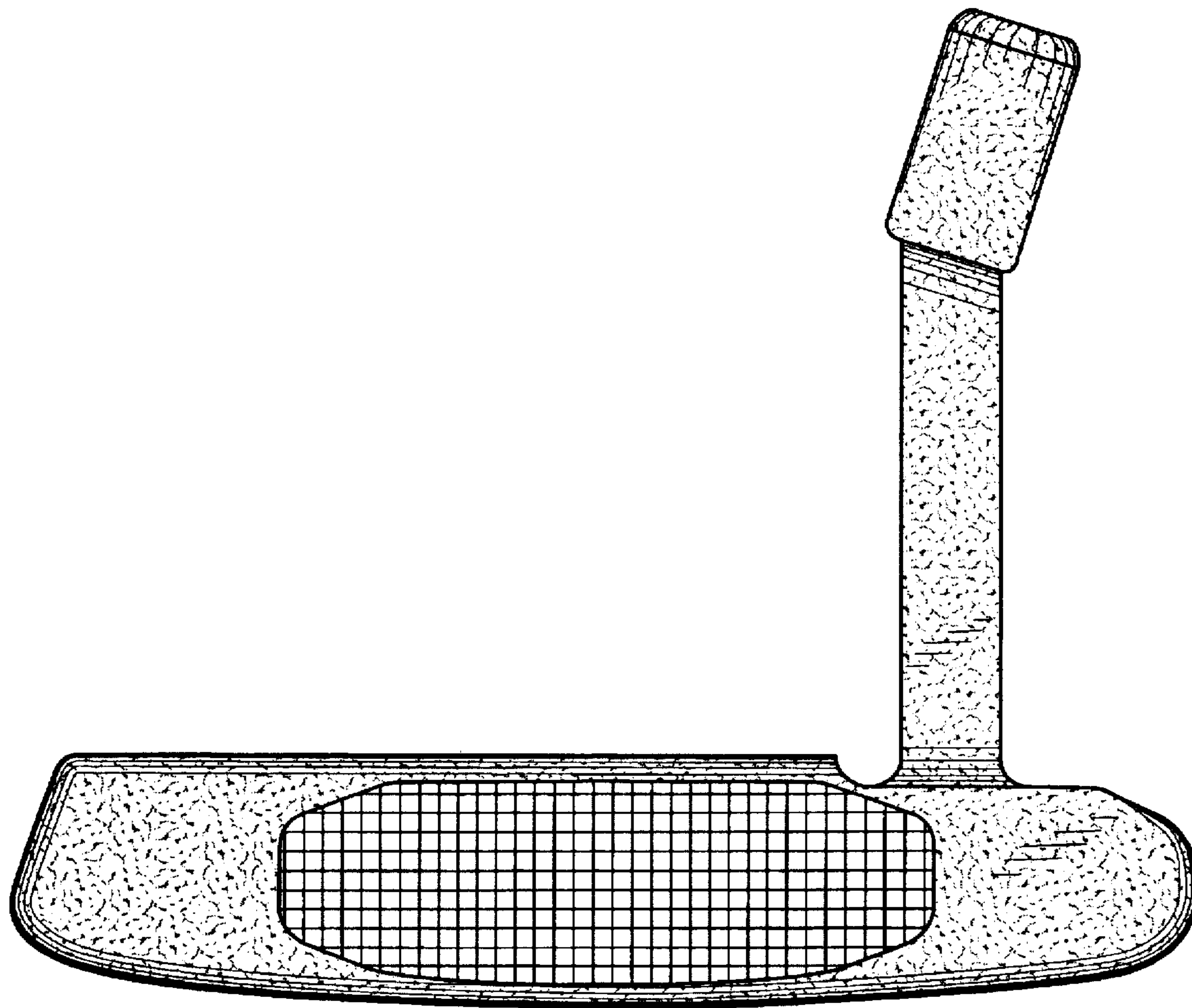


FIG. 10

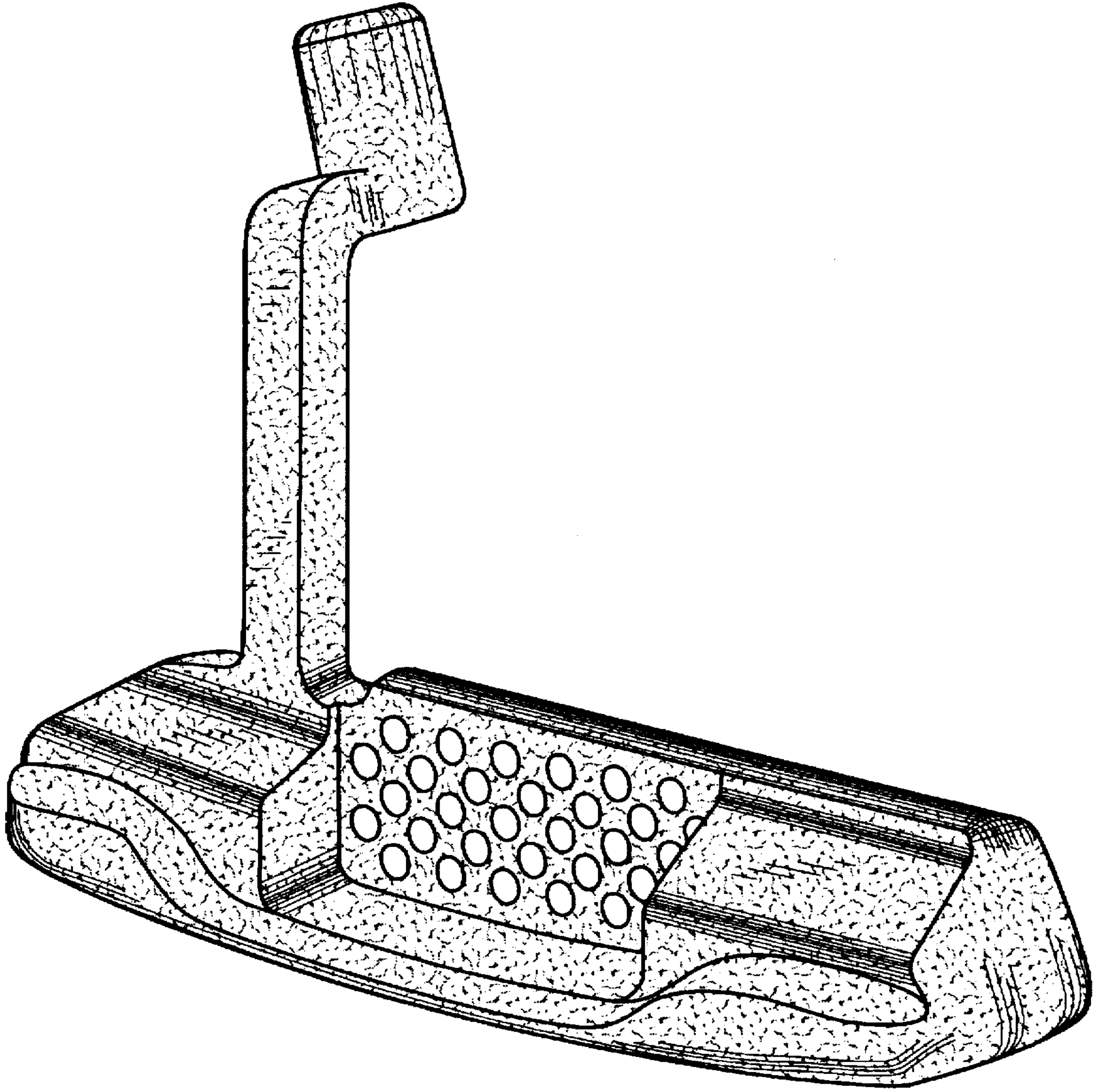


FIG. 11

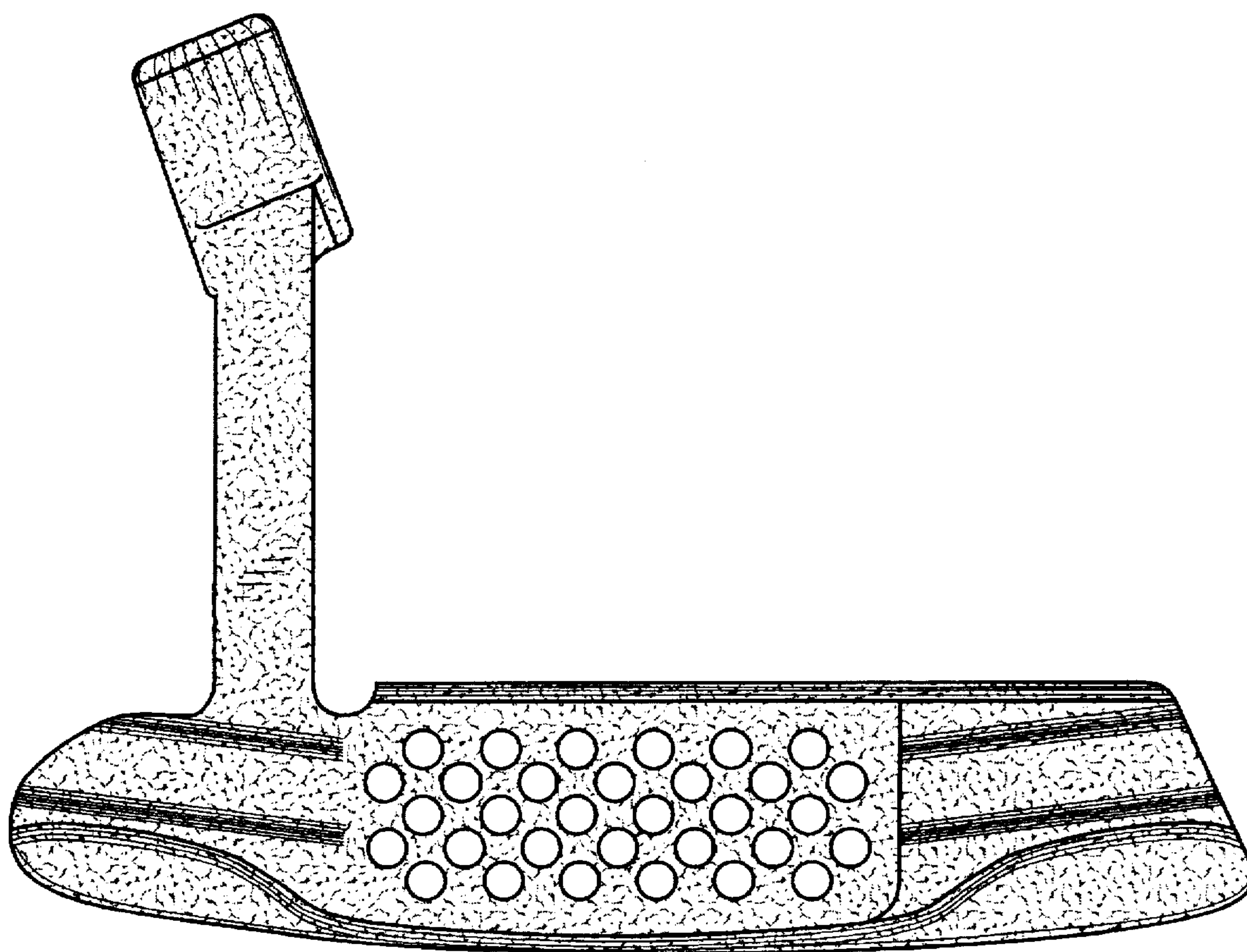


FIG. 12

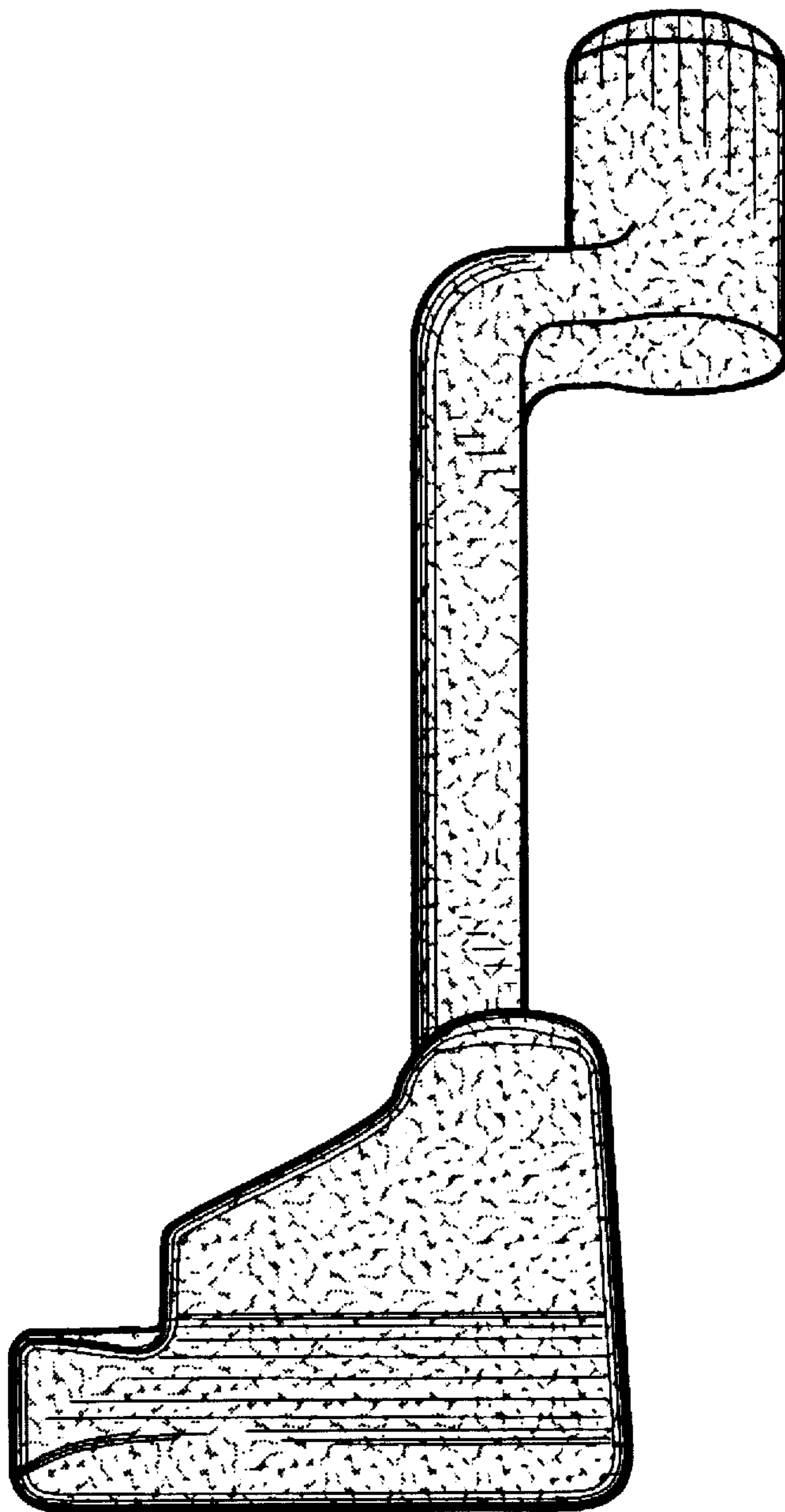


FIG. 13

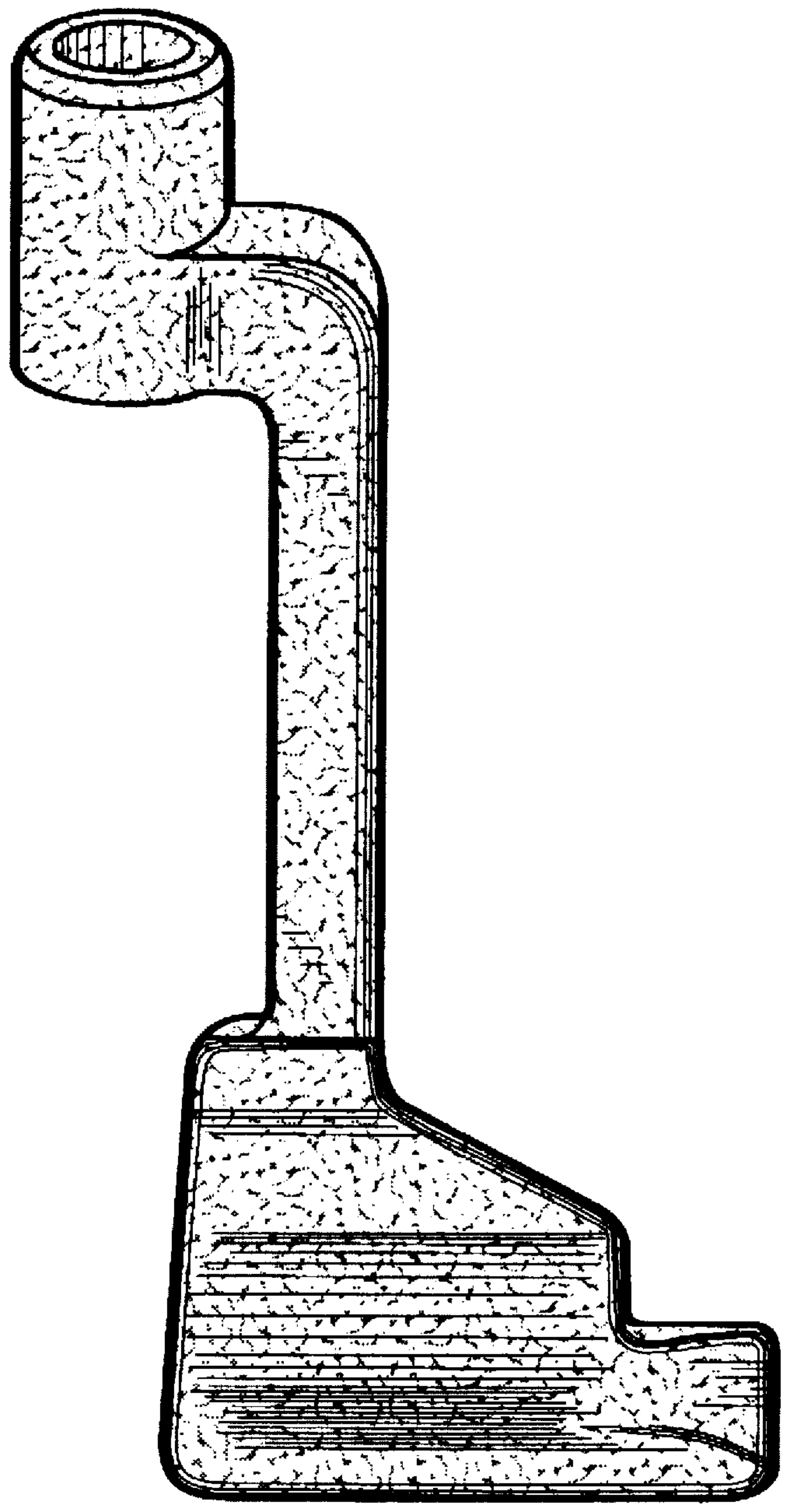


FIG. 14

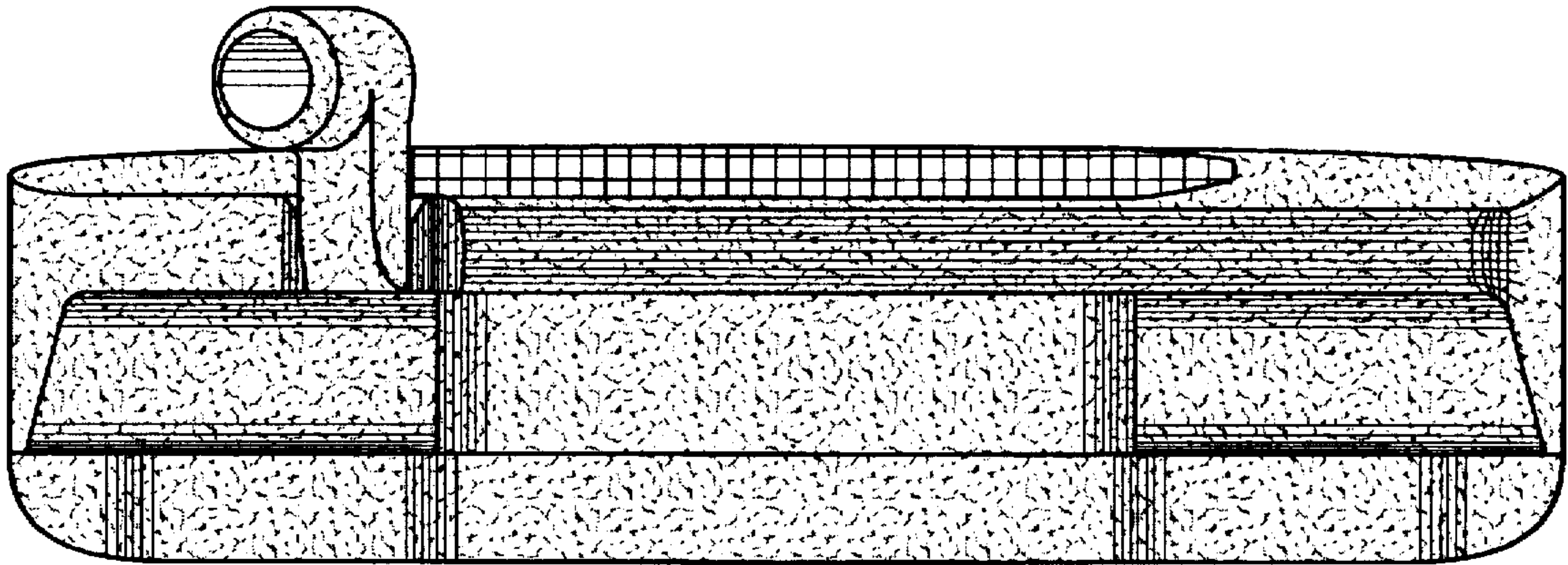


FIG. 15

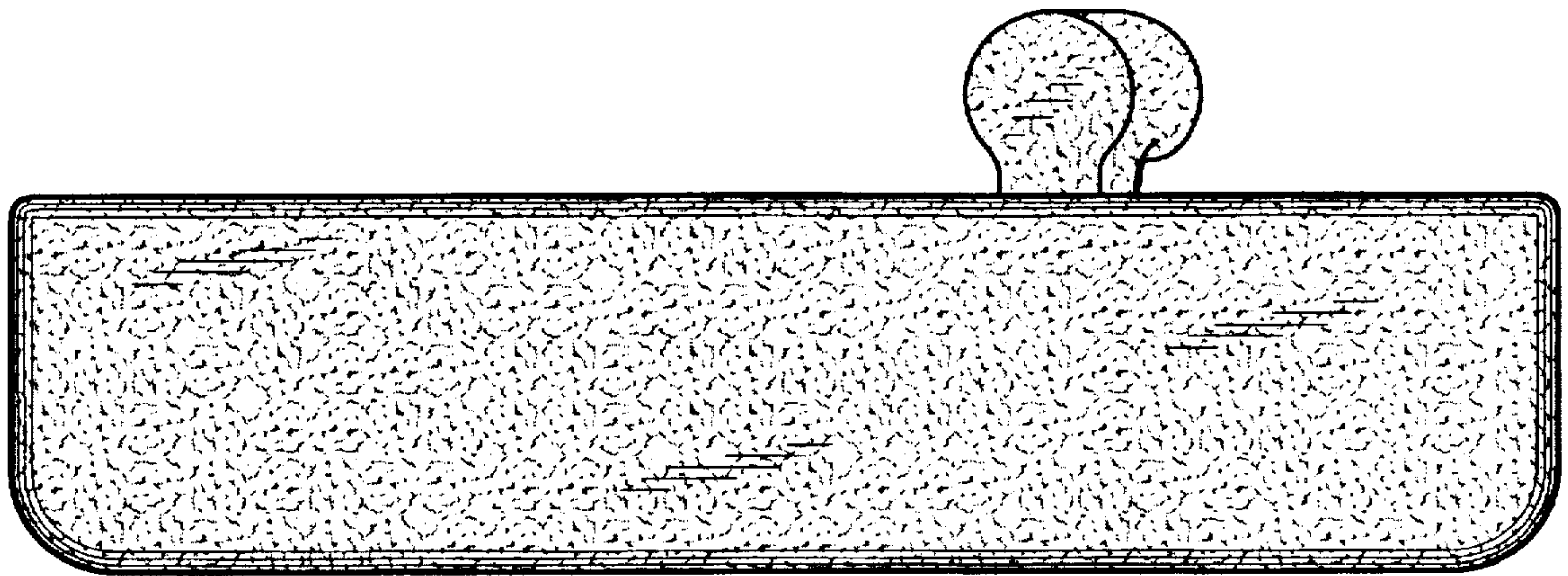


FIG. 16

UNITED STATES PATENT AND TRADEMARK OFFICE
CERTIFICATE OF CORRECTION

PATENT NO. : Des. 389,207

DATED : January 13, 1998

INVENTOR(S) : Don T. Cameron

It is certified that error appears in the above-identified patent and that said Letters Patent is hereby corrected as shown below:

Please add:

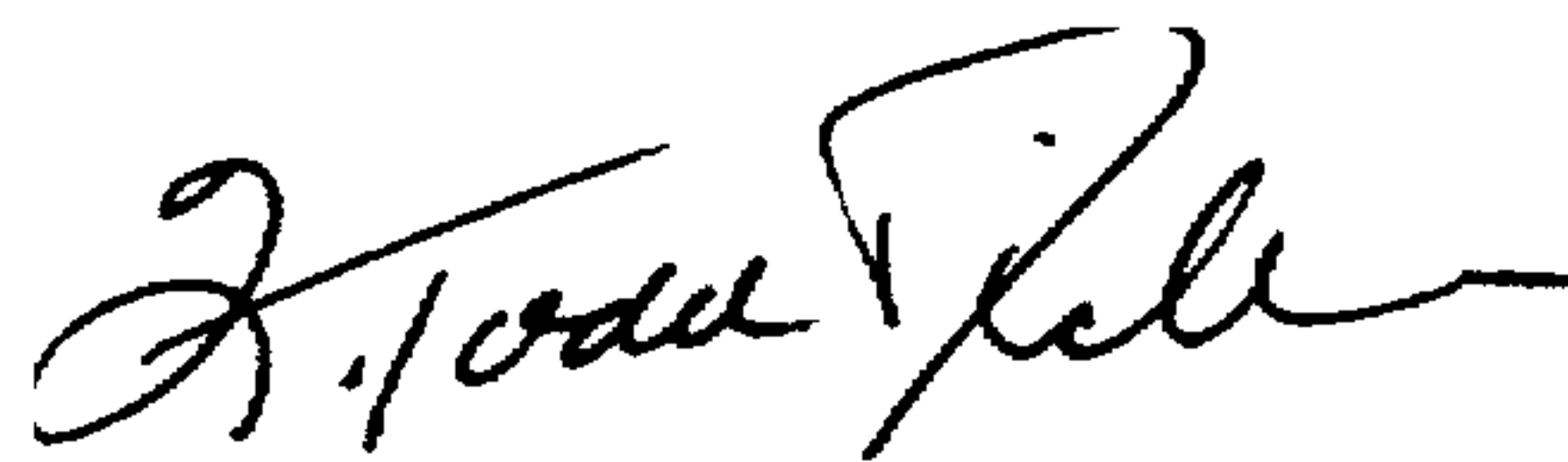
On the Title Page, Item [73] Assignee :
Fairhaven, Mass.

Acushnet Company

Signed and Sealed this

Twenty-eighth Day of December, 1999

Attest:



Q. TODD DICKINSON

Attesting Officer

Acting Commissioner of Patents and Trademarks