

US00D389206S

United States Patent [19]
Takahashi

[11] **Patent Number:** **Des. 389,206**

[45] **Date of Patent:** ****Jan. 13, 1998**

[54] **GOLF CLUB HEAD**

[75] **Inventor:** **Kunihiko Takahashi**, Musashino, Japan

[73] **Assignee:** **Daiwa Seiko, Inc.**, Tokyo, Japan

[**] **Term:** **14 Years**

[21] **Appl. No.:** **55,993**

[22] **Filed:** **Jun. 19, 1996**

[30] **Foreign Application Priority Data**

Dec. 19, 1995 [JP] Japan 7-38258

[51] **LOC (6) Cl.** **21-02**

[52] **U.S. Cl.** **D21/219**

[58] **Field of Search** **D21/217-219;**
473/340, 341, 251-256

[56] **References Cited**

U.S. PATENT DOCUMENTS

- D. 349,543 8/1994 MacDougall .
- D. 360,922 8/1995 Grace .
- D. 368,751 4/1996 Rife D21/219

Primary Examiner—Raphael Barkai
Assistant Examiner—Mitchell I. Siegel
Attorney, Agent, or Firm—Cushman Darby & Cushman IP
Group of Pillsbury Madison & Sutro LLP

[57] **CLAIM**

The ornamental design for a golf club head, as shown and described.

DESCRIPTION

FIG. 1 is a top, rear and left side of the perspective view of a golf club head showing my new design;
FIG. 2 is a top plan view thereof;
FIG. 3 is a front elevational view thereof;
FIG. 4 is a left side elevational view thereof;
FIG. 5 is a right side elevational view thereof;
FIG. 6 is a bottom view thereof; and,
FIG. 7 is a rear elevational view thereof.

The broken line showing of a fragmented shaft is for illustrative purposes only and forms no part of the claimed design.

1 Claim, 2 Drawing Sheets

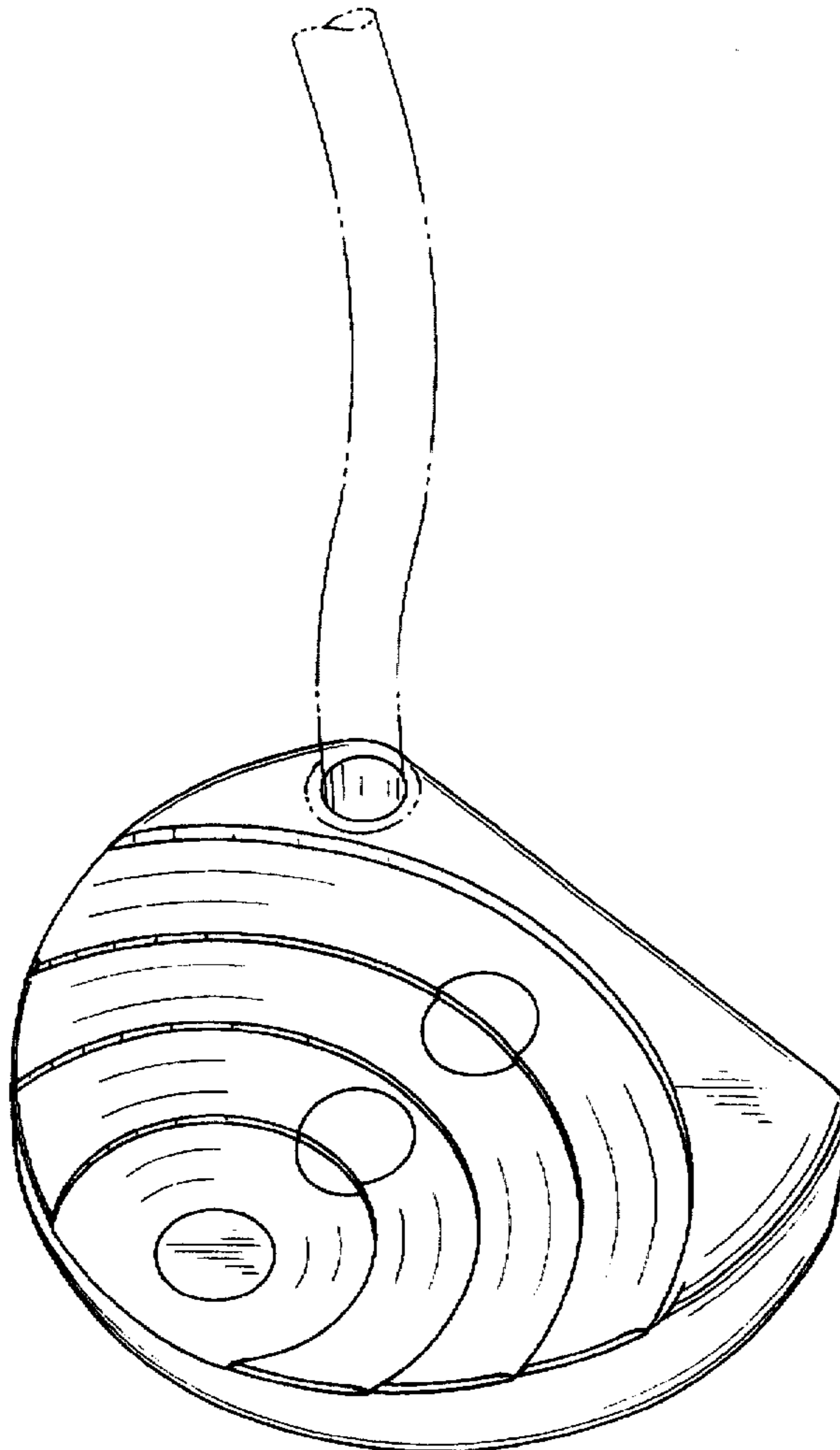


FIG. 1

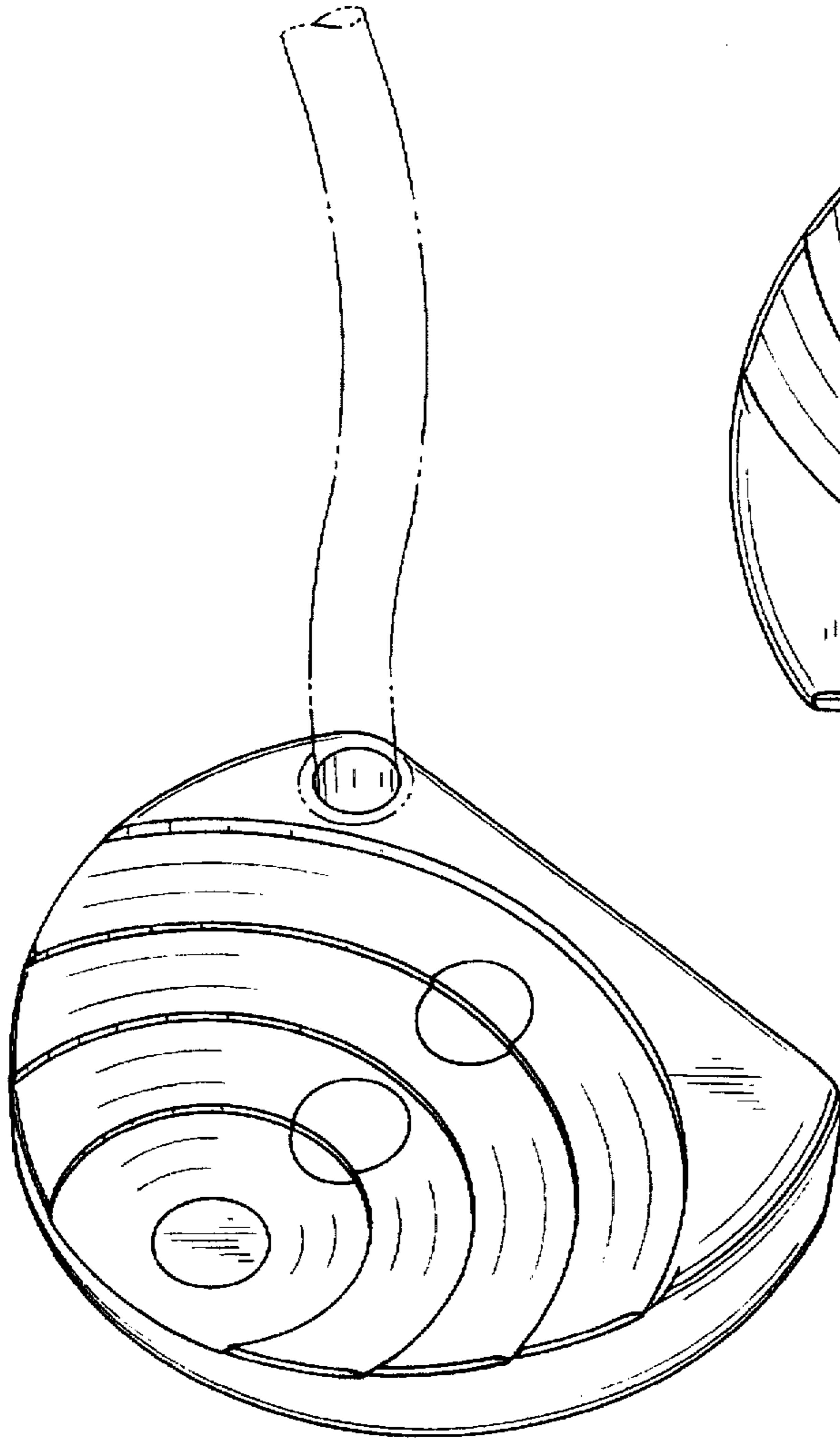


FIG. 2

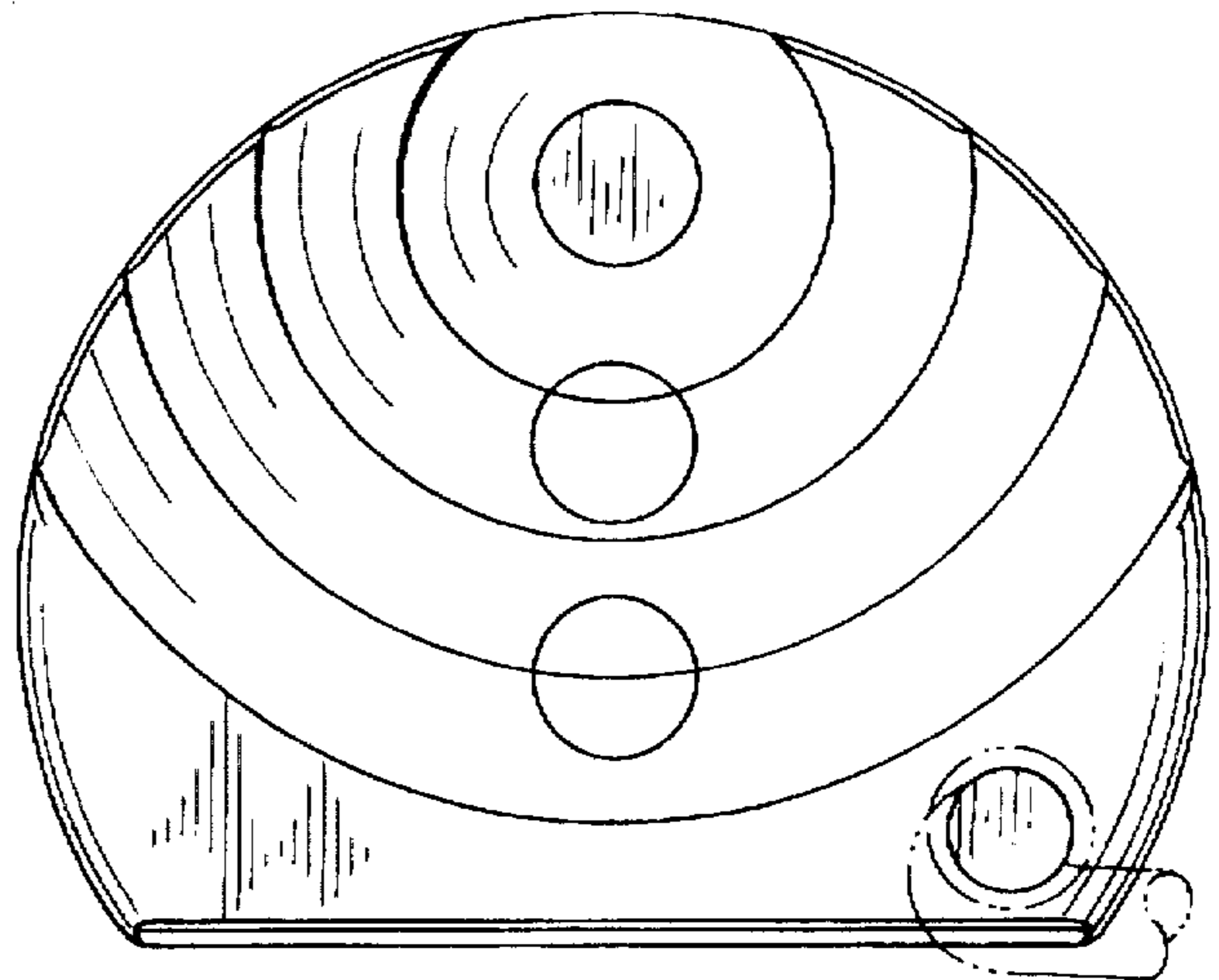
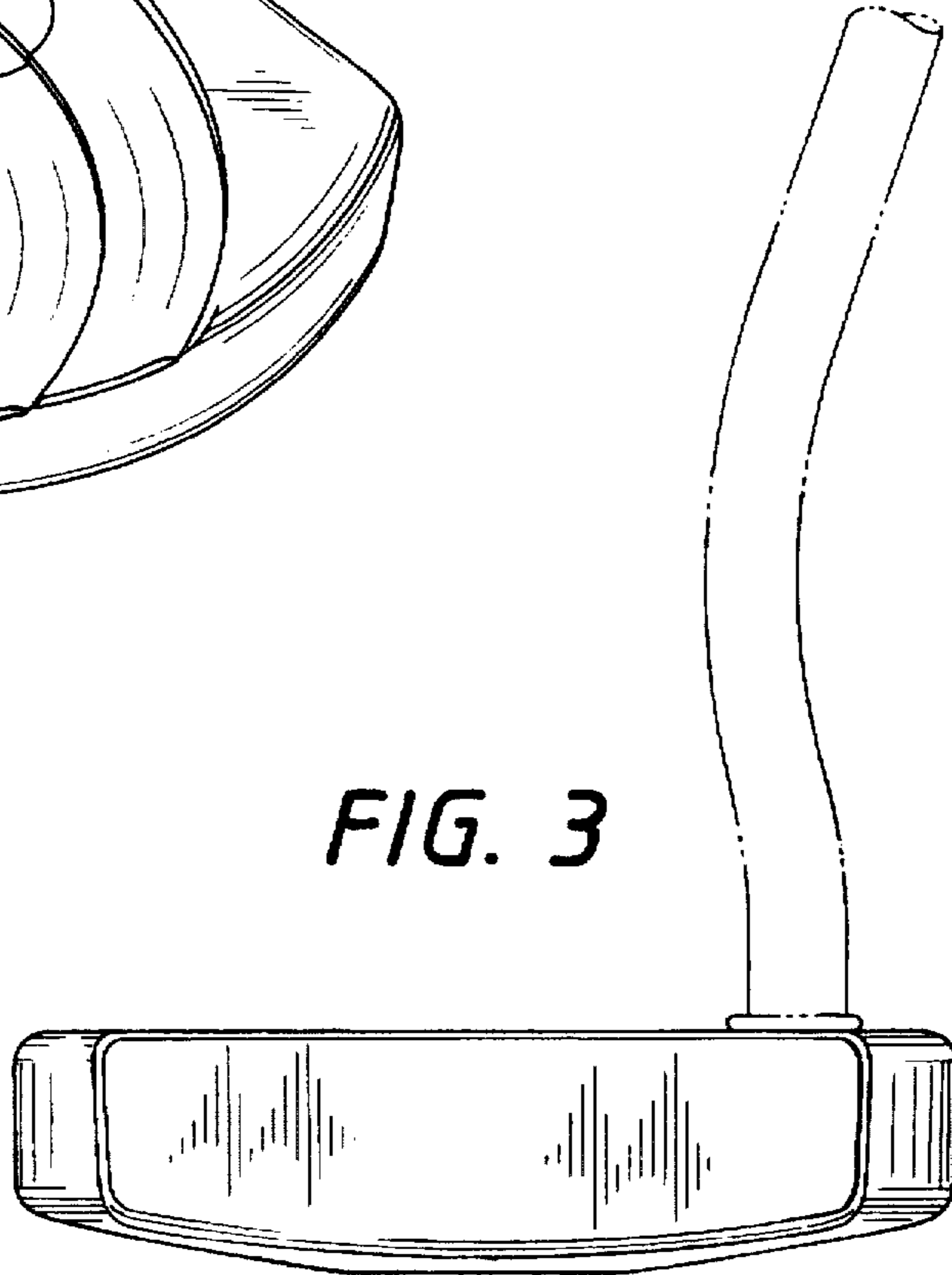


FIG. 3



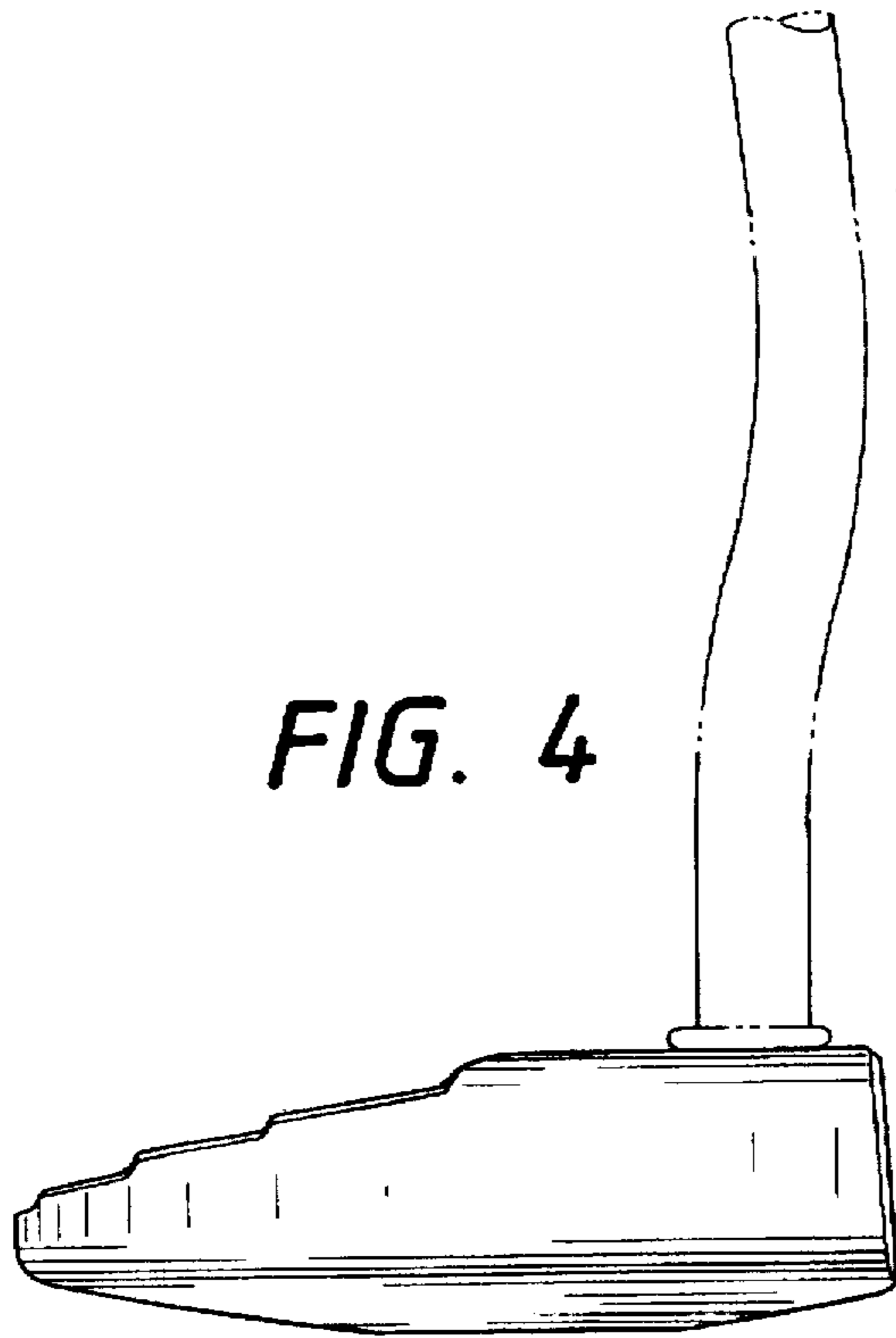


FIG. 4

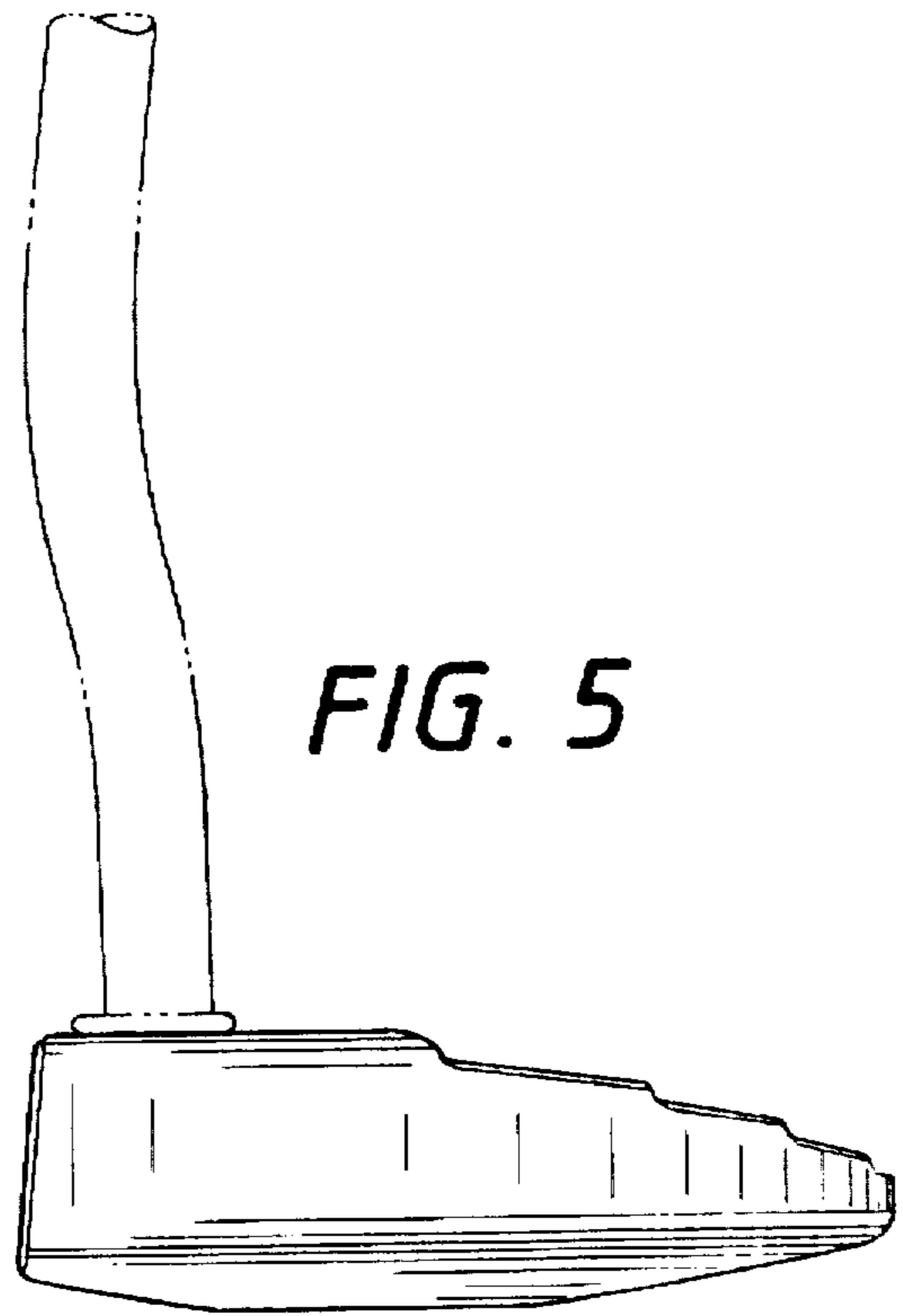


FIG. 5

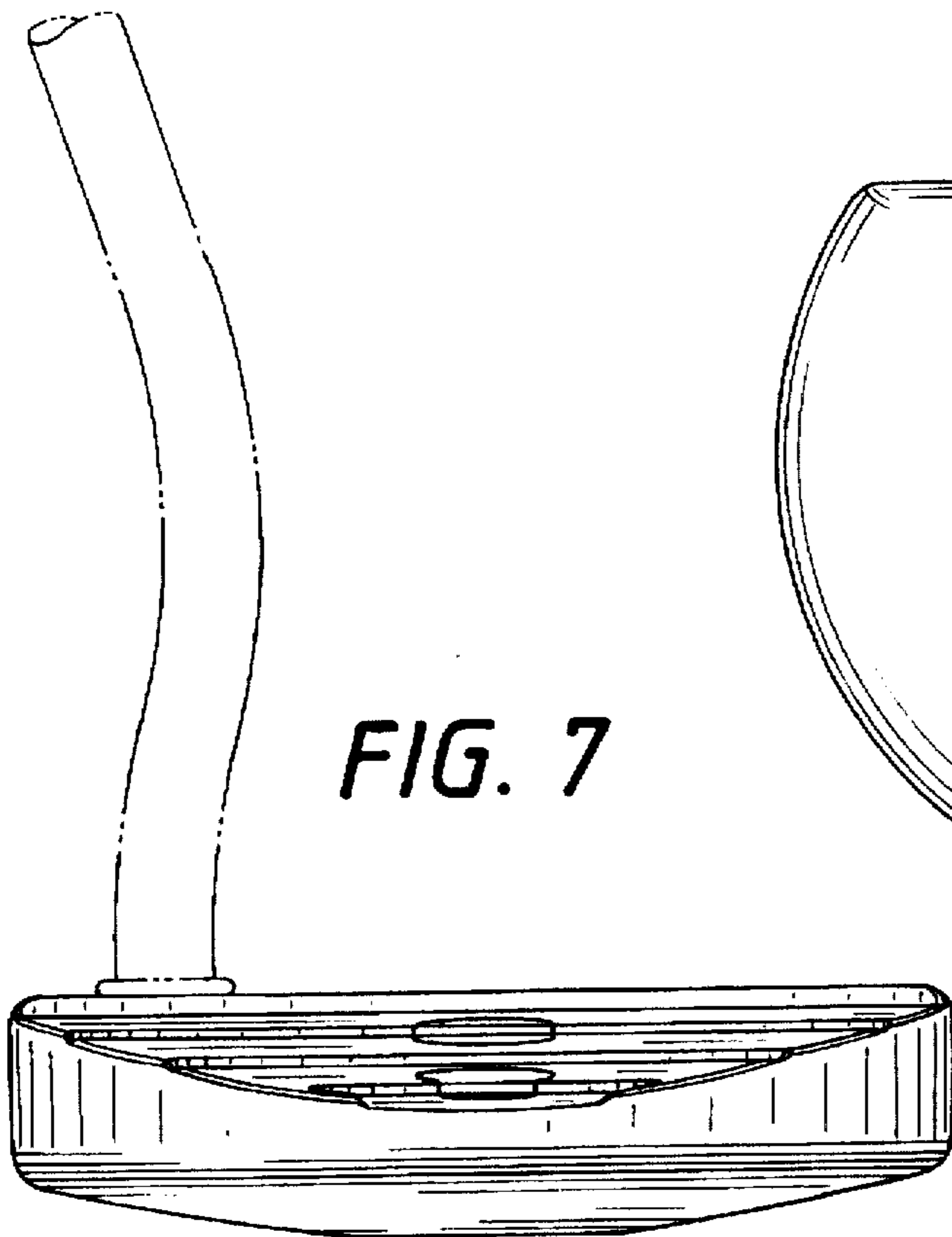


FIG. 7

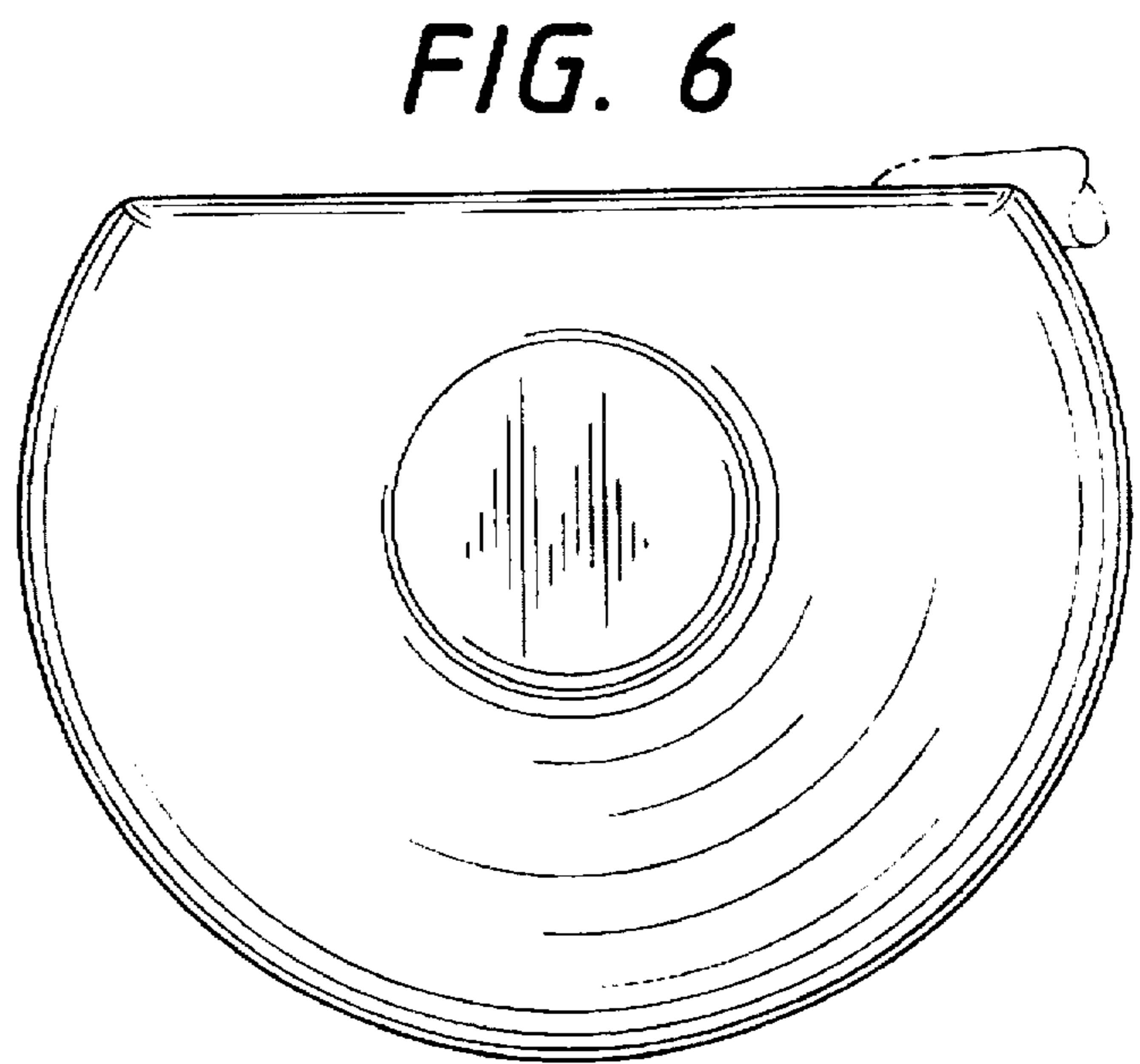


FIG. 6