

US00D389205S

# United States Patent [19]

[11] Patent Number: **Des. 389,205**

van Straaten

[45] Date of Patent: **\*\*Jan. 13, 1998**

[54] **RESISTIVE EXERCISER**

5,232,426 8/1993 Van Straaten ..... 482/126  
5,405,306 4/1995 Goldsmith et al. .... 482/110

[76] Inventor: **Willem J. van Straaten**, 130 Trafalger Pl., Sandhurst, Sandton, South Africa, 2196

*Primary Examiner*—Philip S. Hyder  
*Attorney, Agent, or Firm*—Herbert L. Bello

[\*\*] Term: **14 Years**

[57] **CLAIM**

[21] Appl. No.: **56,647**

The ornamental design for a resistive exerciser, as shown and described.

[22] Filed: **Jul. 5, 1996**

**DESCRIPTION**

[51] LOC (6) CL ..... **21-02**

FIG. 1 is a perspective view of a resistive exerciser showing my new design;

[52] U.S. Cl. .... **D21/195**

FIG. 2 is a front elevational view thereof;

[58] Field of Search ..... D21/191, 195;

FIG. 3 is a rear elevational view thereof;

482/110, 126, 123, 130, 139, 142

FIG. 4 is a right side elevational view thereof;

FIG. 5 is a left side elevational view thereof;

[56] **References Cited**

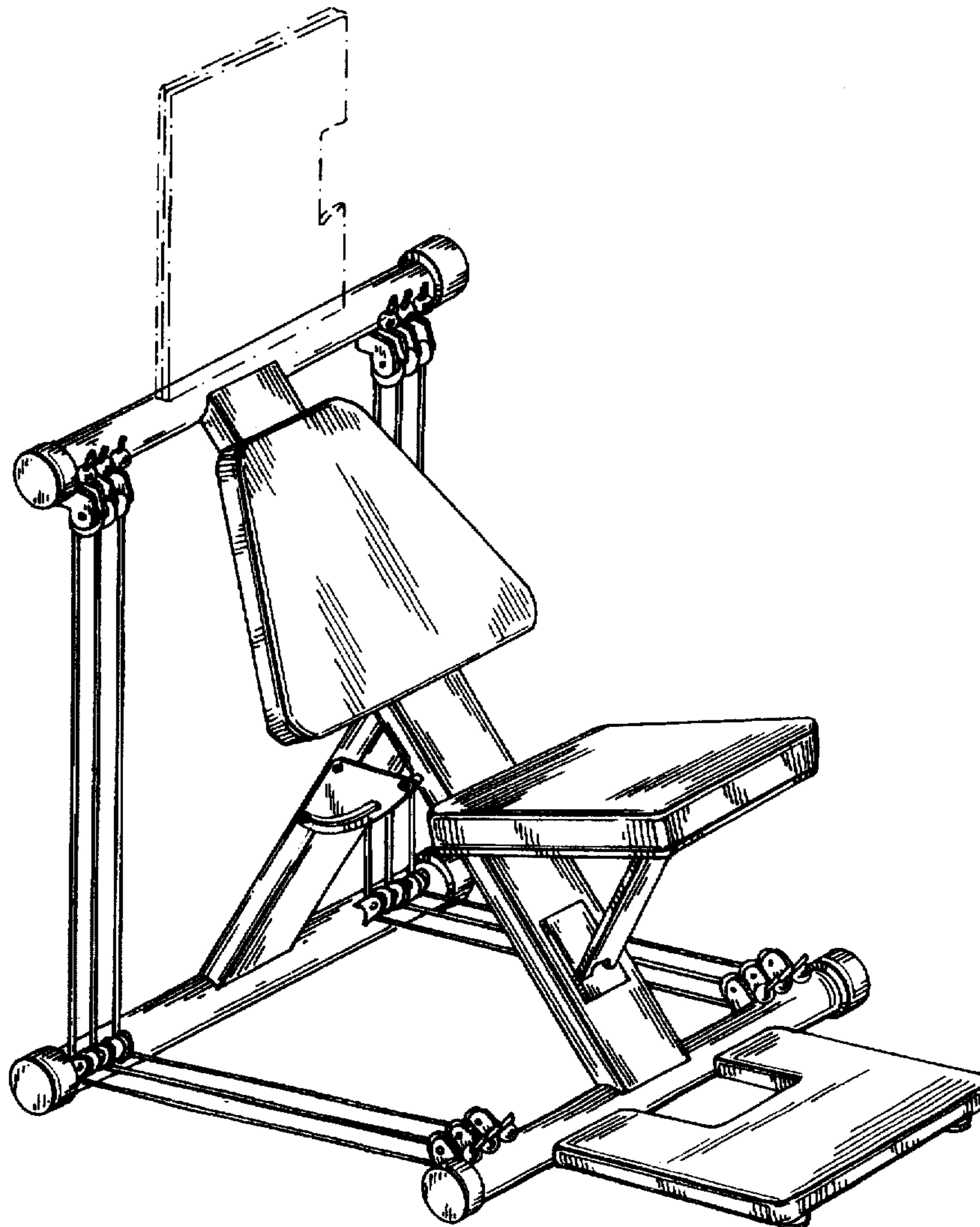
**U.S. PATENT DOCUMENTS**

- D. 284,394 6/1986 Bengtson et al. .... D21/191
- D. 347,251 5/1994 Dreibelbis et al. .... D21/195
- 4,706,953 11/1987 Graham ..... 482/110
- 5,029,850 7/1991 Van Straaten ..... 482/126

FIG. 6 is a top plan view thereof; and,  
FIG. 7 is a bottom plan view thereof.

The broken line portions of the drawings are for illustrative purposes only and form no part of the claimed design.

**1 Claim, 7 Drawing Sheets**



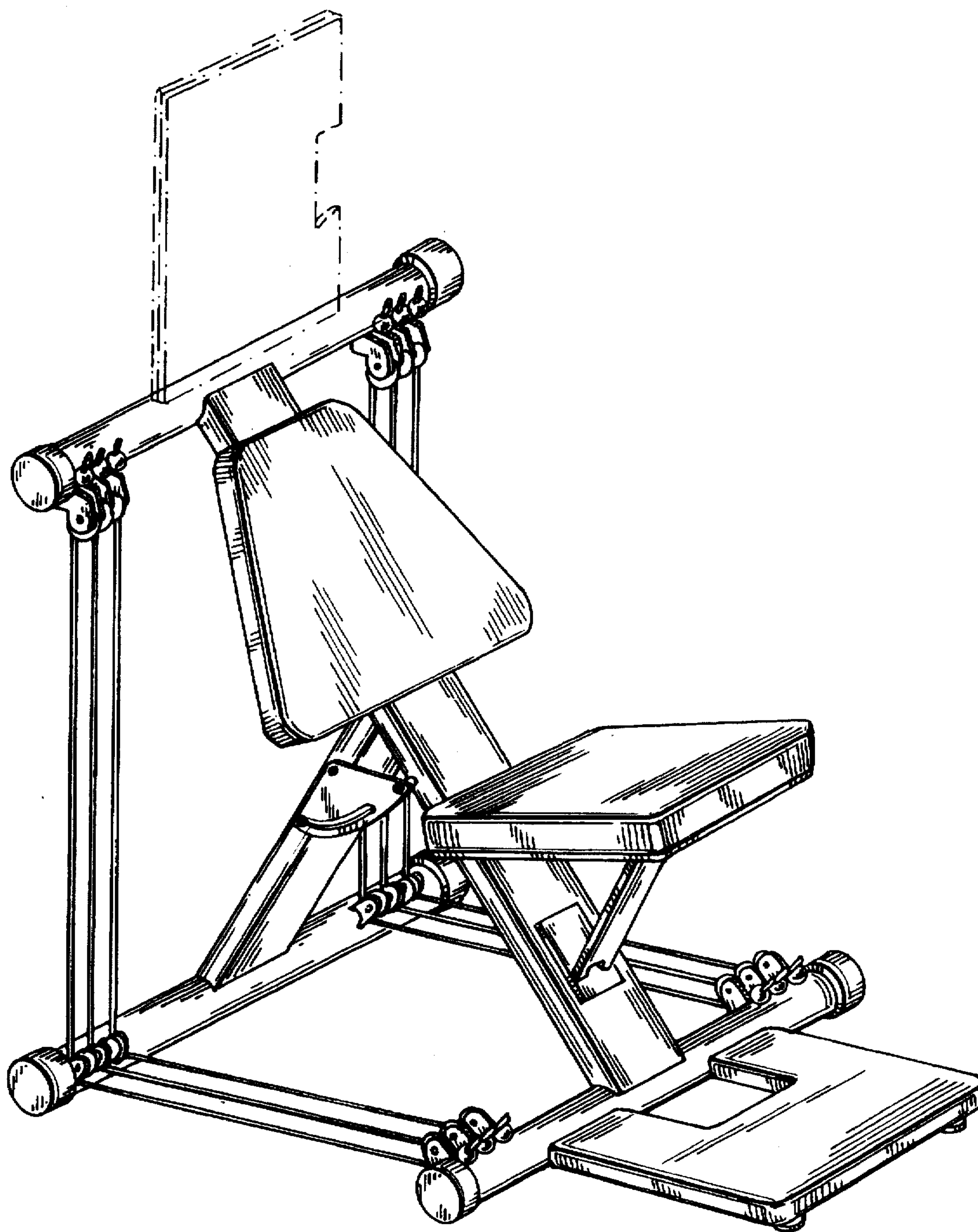


FIG. 1

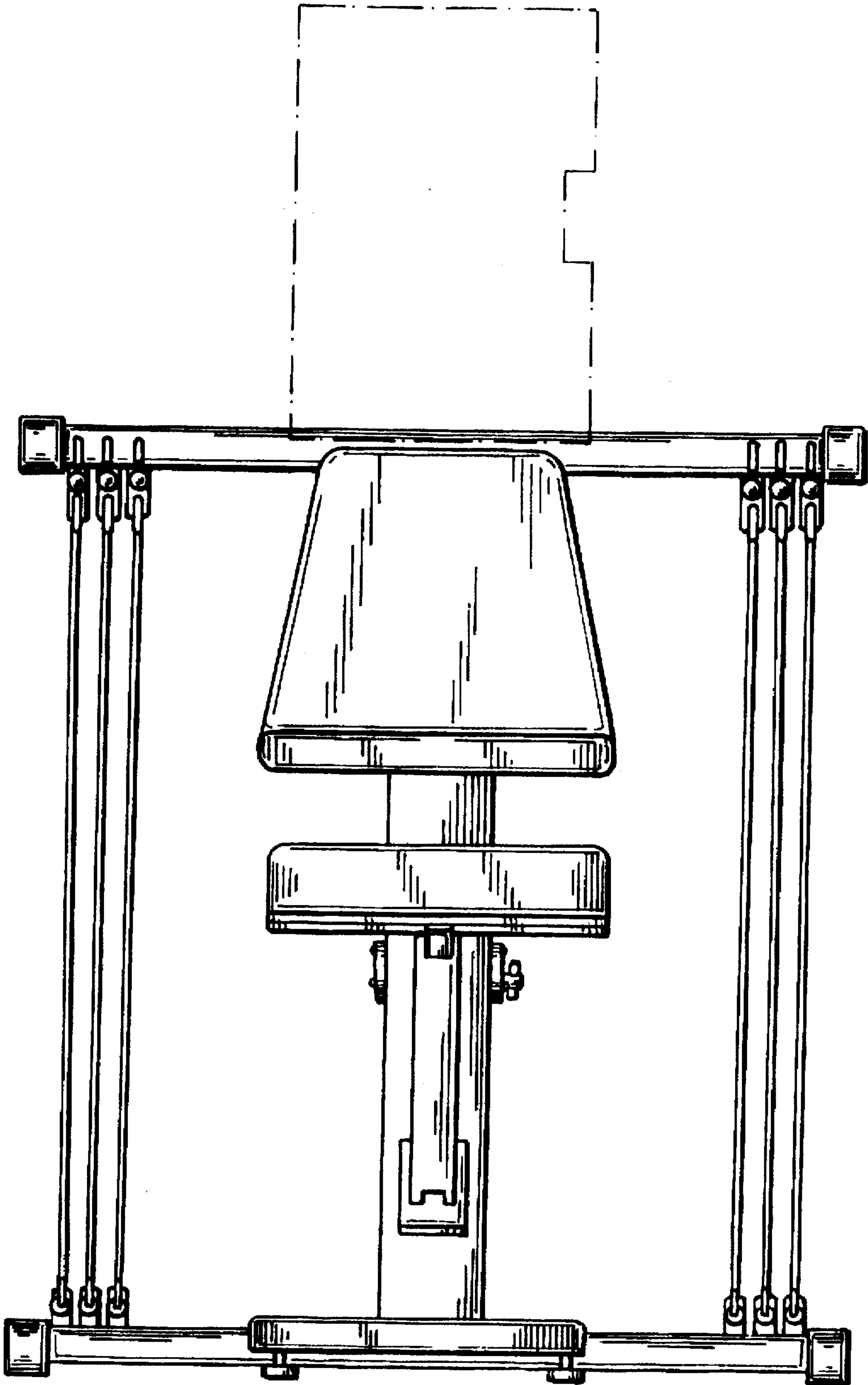


FIG. 2

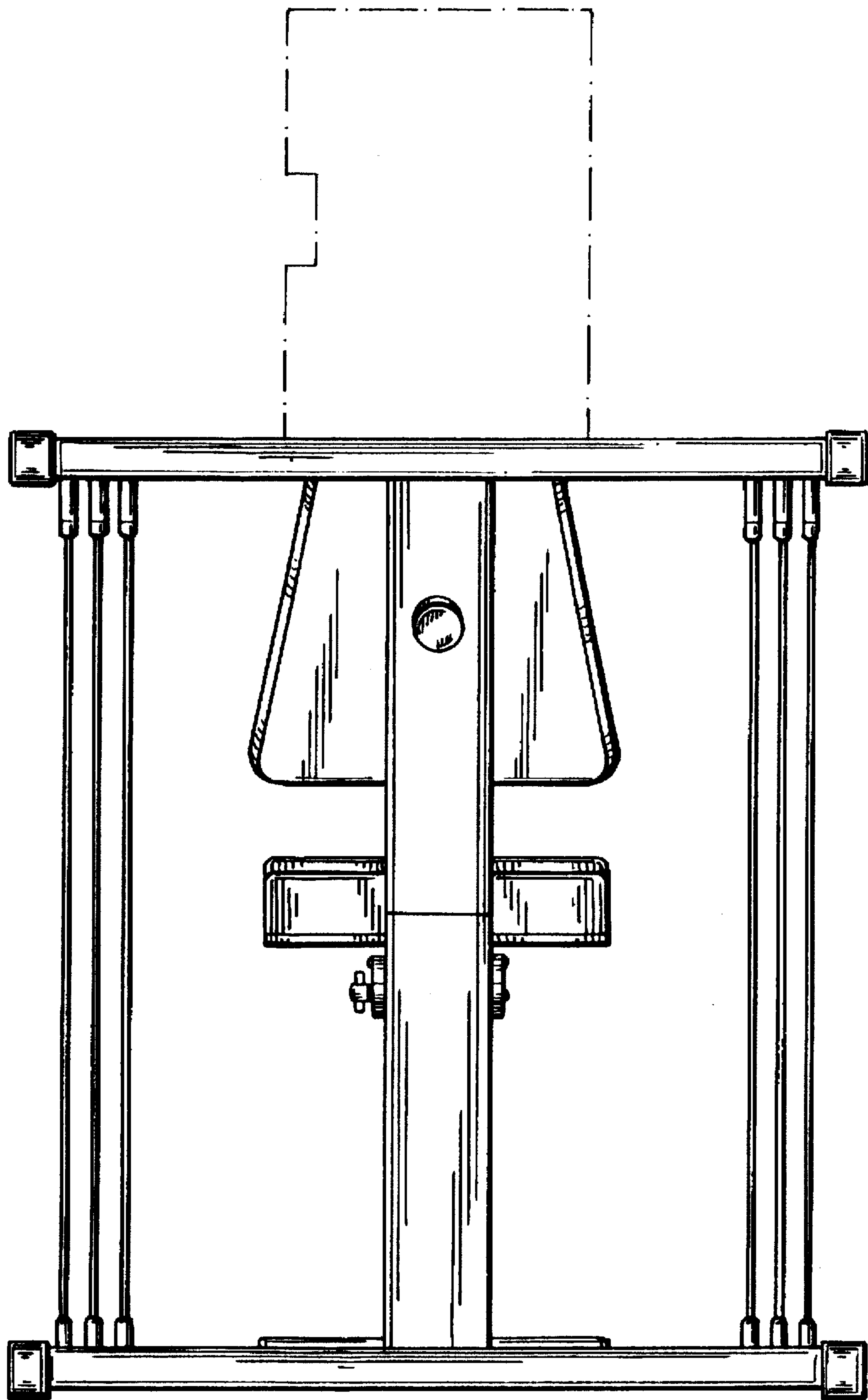


FIG. 3



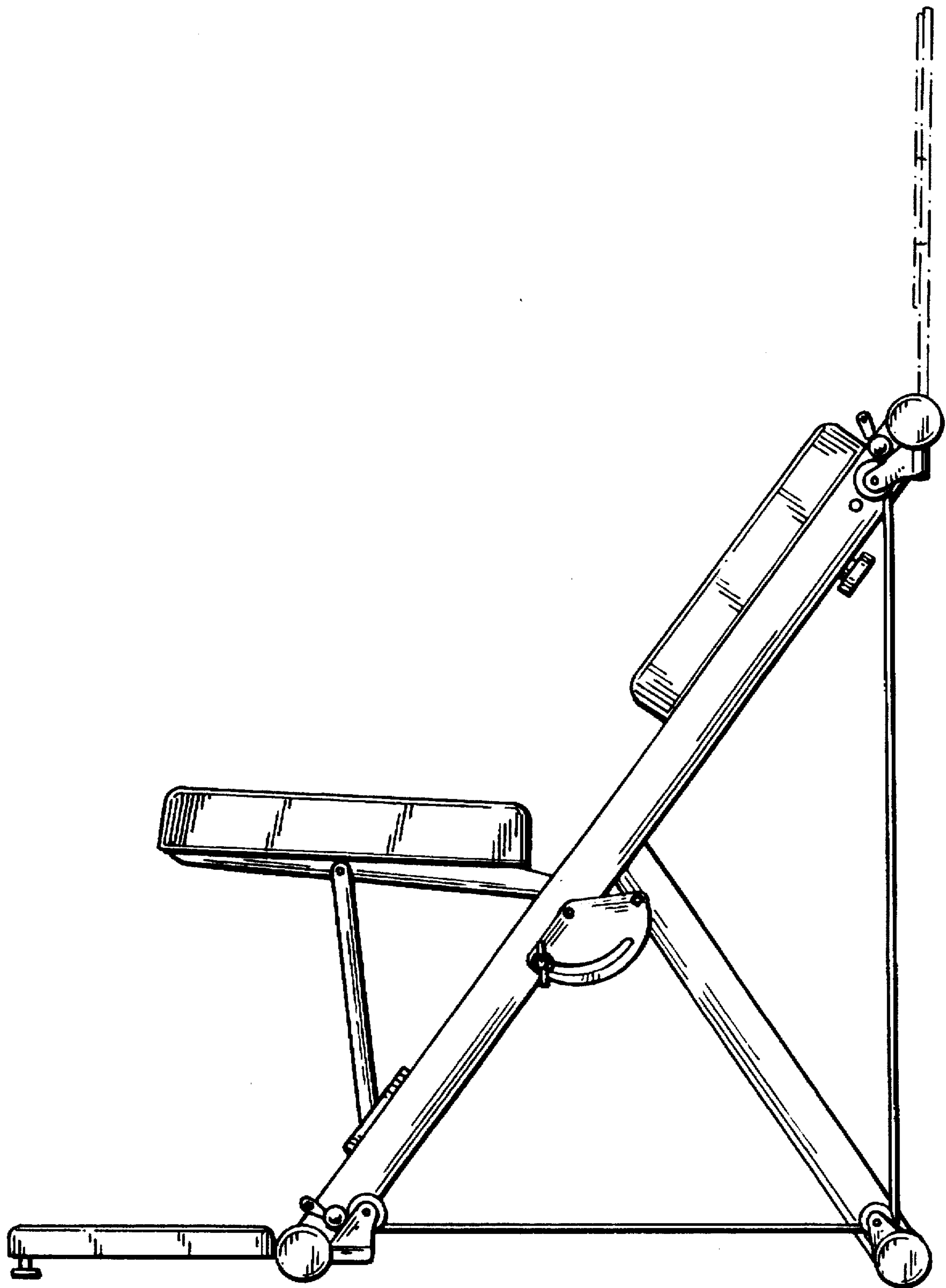


FIG. 4

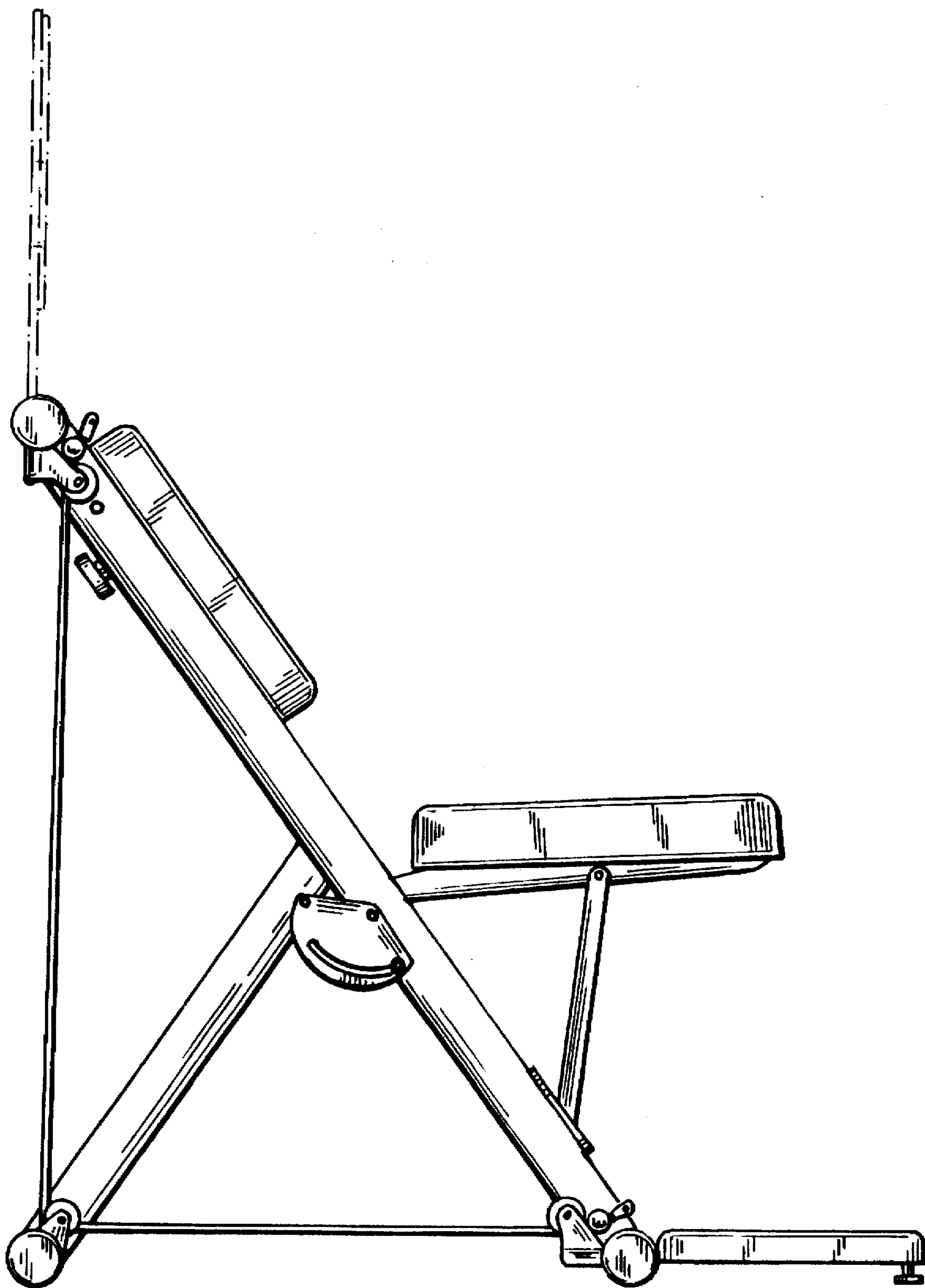


FIG. 5

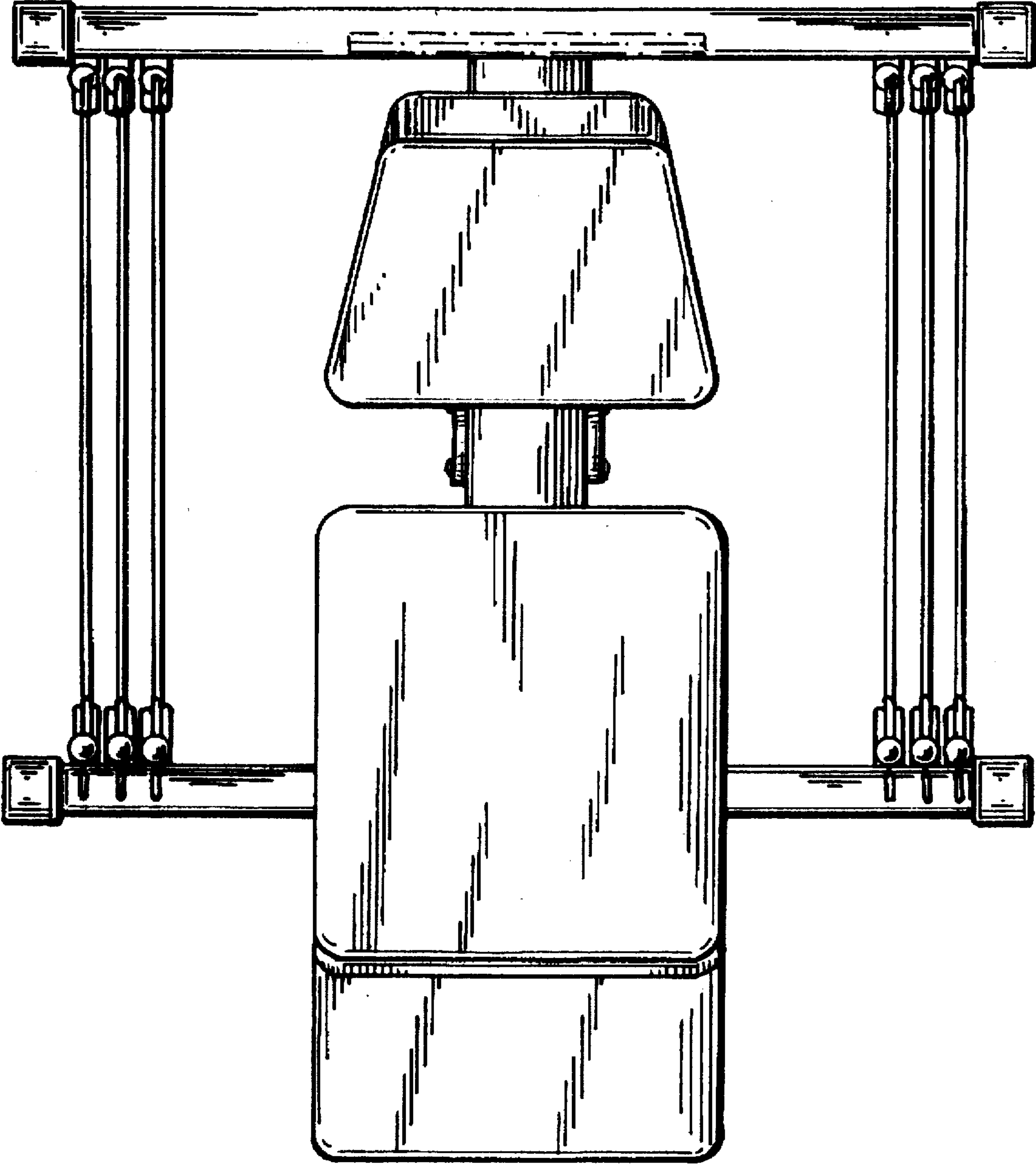


FIG. 6

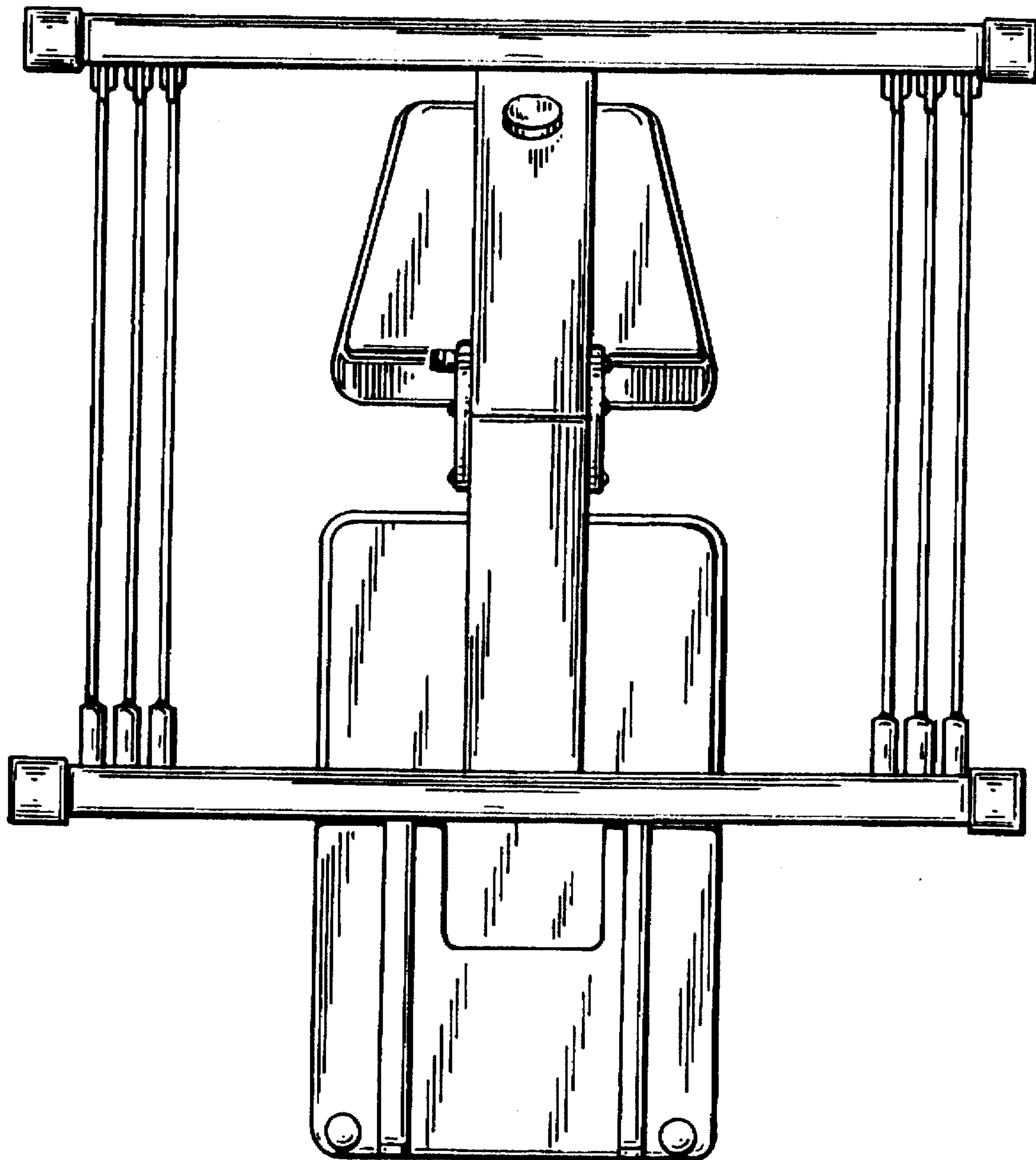


FIG. 7