



US00D389201S

United States Patent [19] Redler

[11] Patent Number: **Des. 389,201**
[45] Date of Patent: ****Jan. 13, 1998**

[54] **INTERLOCKING PLASTIC BUILDING BLOCK**

[76] Inventor: **George Redler, 19 Academy St., Beacon, N.Y. 12508**

[**] Term: **14 Years**

[21] Appl. No.: **40,850**

[22] Filed: **Jun. 29, 1995**

[51] LOC (6) Cl. **21-01**

[52] U.S. Cl. **D21/108**

[58] Field of Search **D21/108; D25/113-115, D25/118; 446/120-122, 124, 125, 128, 465; 52/592.1, 592.4, 592.5, 592.6**

[56] **References Cited**

U.S. PATENT DOCUMENTS

| | | | | |
|------------|---------|----------|-------|---------|
| D. 4,058 | 5/1870 | Ellis | | D21/108 |
| D. 181,962 | 1/1958 | Ehrmann | | D21/108 |
| D. 214,625 | 7/1969 | Muse | | D21/108 |
| D. 238,168 | 12/1975 | Ketchman | | D21/108 |
| D. 282,264 | 1/1986 | Wiese | | D21/108 |
| D. 336,140 | 6/1993 | Lavery | | D25/113 |

| | | | | |
|-----------|---------|-----------------|-------|---------|
| 2,132,647 | 10/1938 | Robins | . | |
| 3,513,590 | 5/1970 | Fischer | . | |
| 4,107,894 | 8/1978 | Mullins | | 52/593 |
| 4,171,591 | 10/1979 | Fischer | . | |
| 4,690,656 | 9/1987 | Friedman et al. | | 446/465 |

Primary Examiner—Raphael Barkai
Attorney, Agent, or Firm—Harold H. Dutton, Jr.

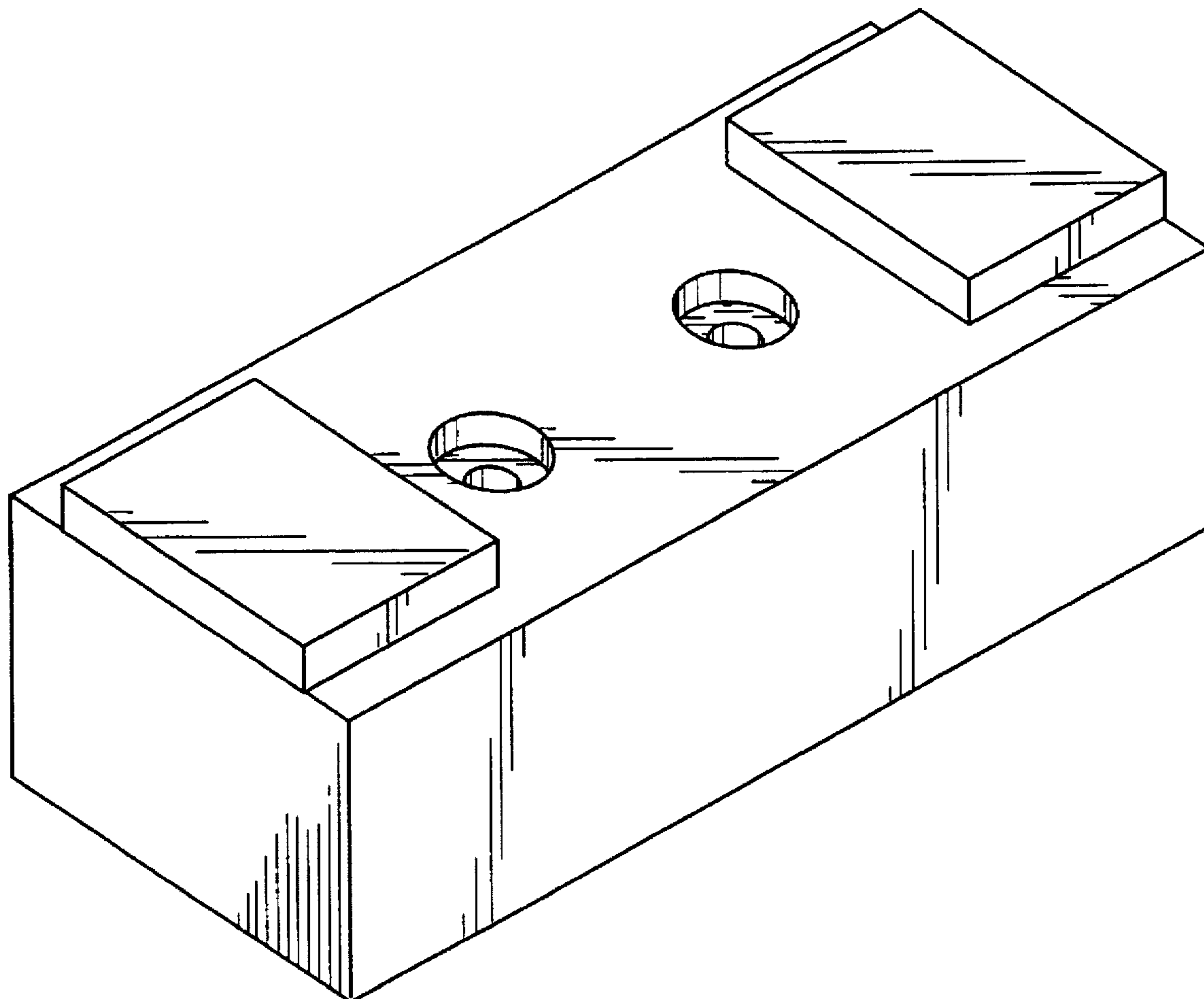
[57] **CLAIM**

The ornamental design for an interlocking plastic building block, as shown and described.

DESCRIPTION

FIG. 1 is a perspective view of an interlocking plastic building block showing my new design;
FIG. 2 is a top plan view thereof;
FIG. 3 is a front view thereof;
FIG. 4 is a side view thereof;
FIG. 5 is a bottom view thereof; and,
FIG. 6 is a perspective bottom view thereof.
The sides opposite to those shown in FIGS. 3 and 4 are identical thereto.

1 Claim, 3 Drawing Sheets



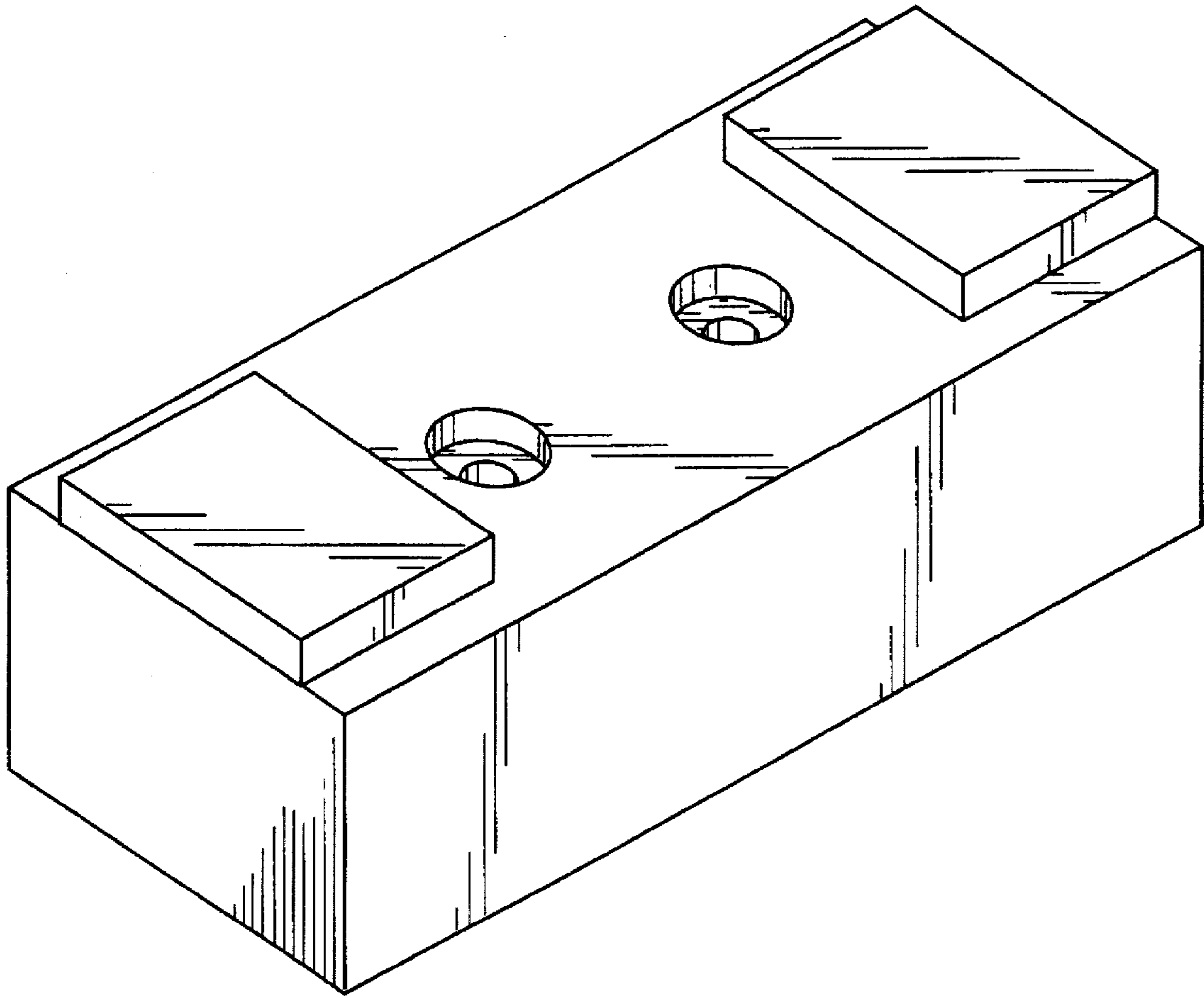


FIG. 1

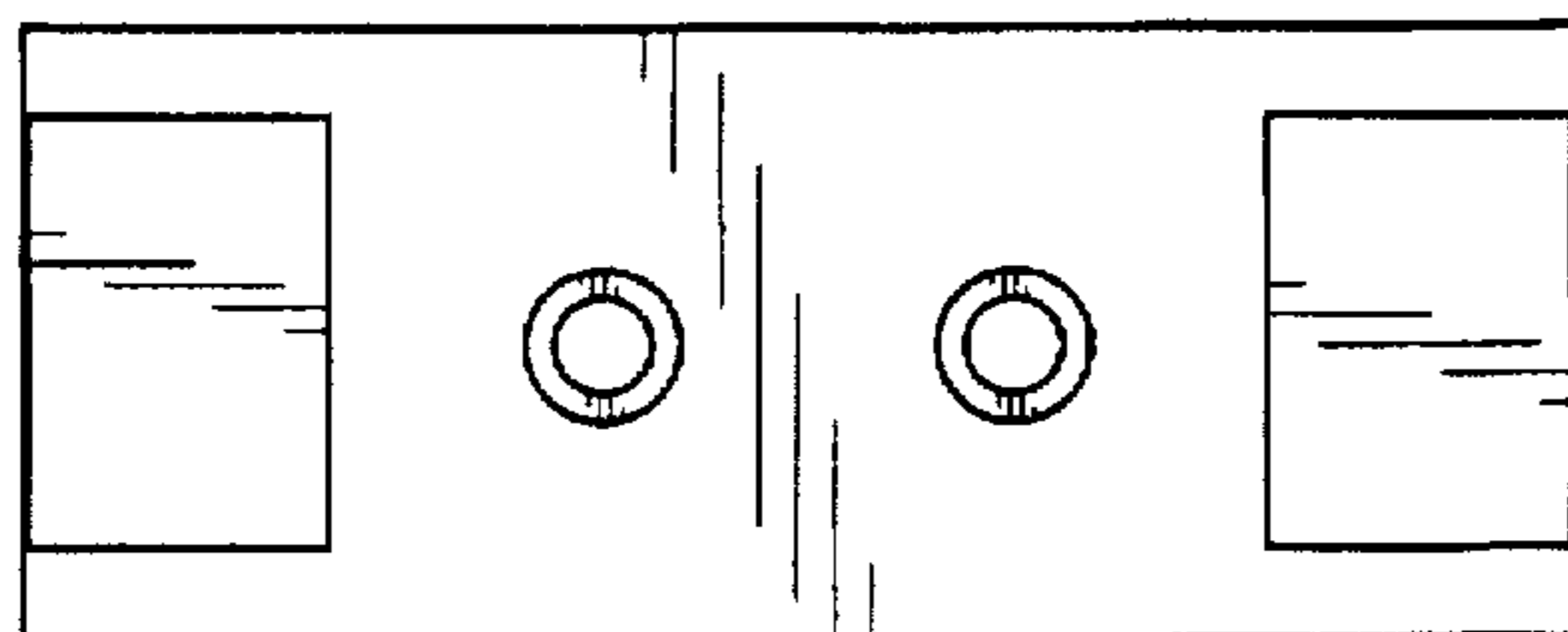


FIG. 2

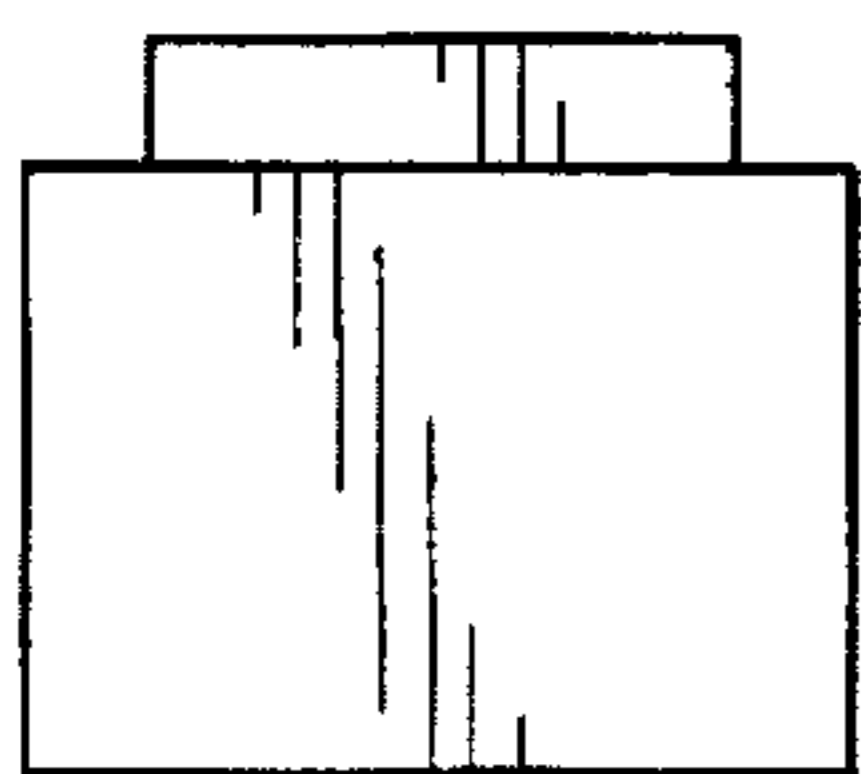


FIG. 4

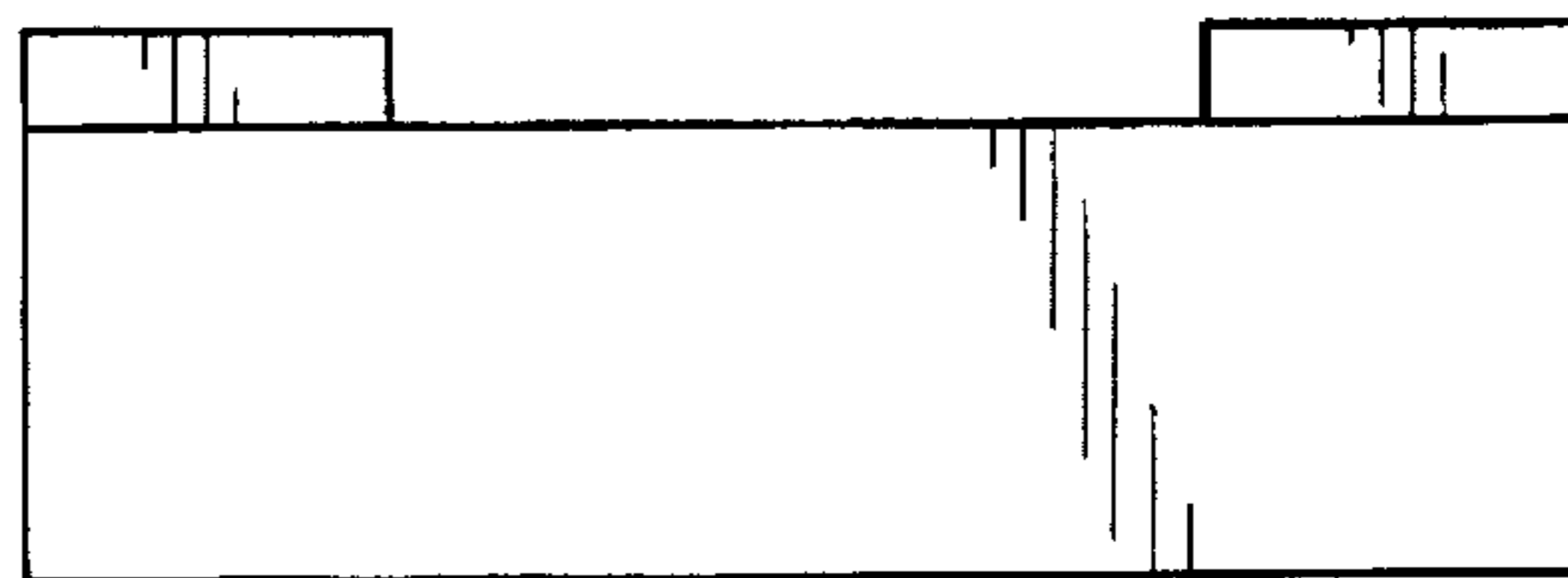


FIG. 3

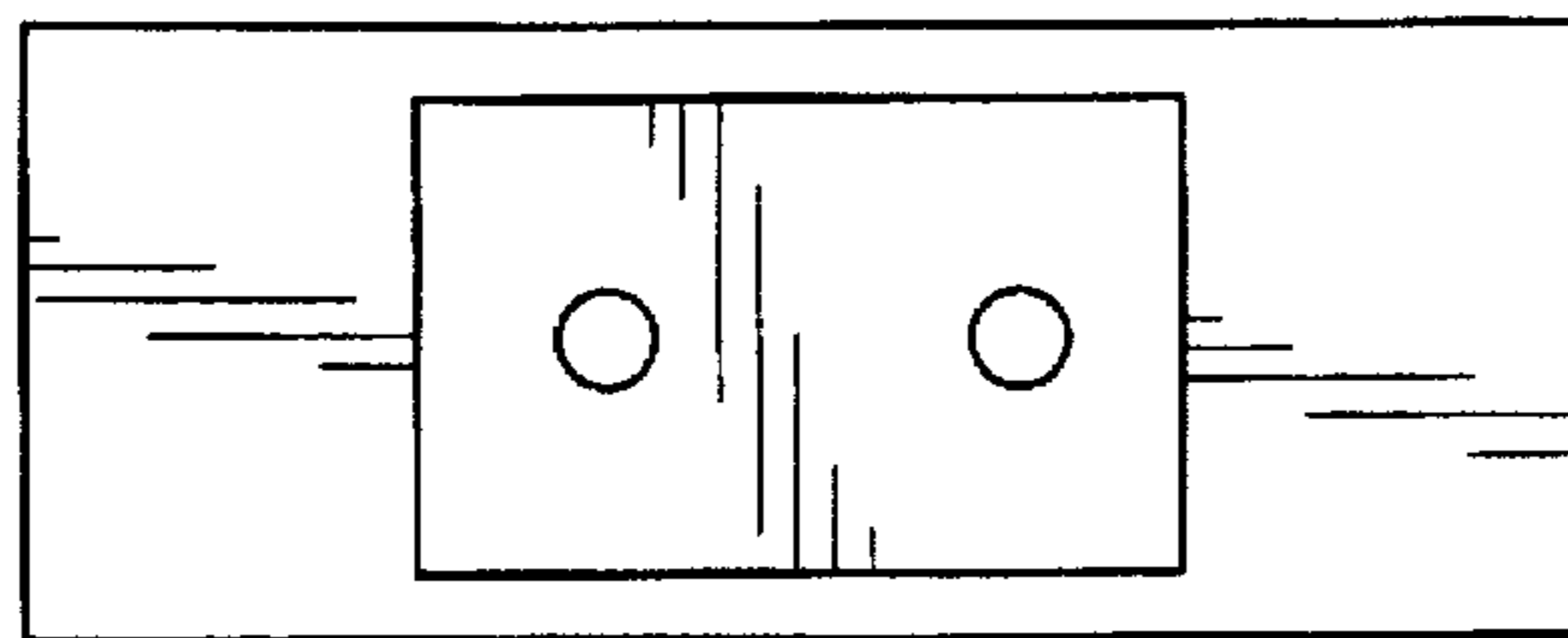


FIG. 5

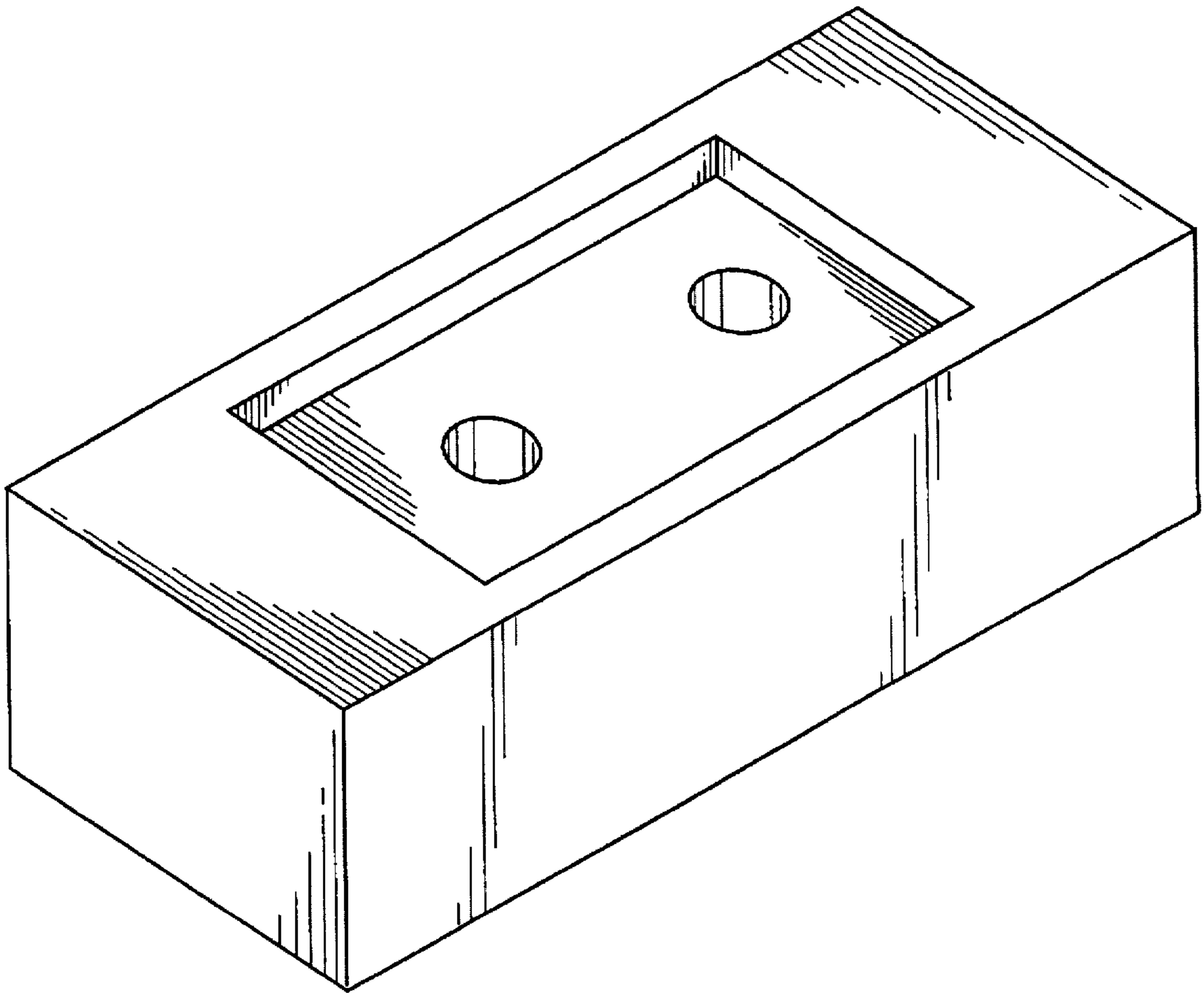


FIG. 6