



US00D389197S

United States Patent [19]
Lee

[11] **Patent Number: Des. 389,197**
[45] **Date of Patent: **Jan. 13, 1998**

[54] **JOYSTICK**

4,658,666 4/1987 Liu 273/148 B X
4,748,441 5/1988 Brzezinski 273/148 B X

[75] **Inventor: Lan-Yan Lee, Fanling, Hong Kong**

OTHER PUBLICATIONS

[73] **Assignee: Esel International Company Limited, Hong Kong, Hong Kong**

HongKong Enterprise, 1985, p. 9.
Vending Times, Jul. 1982.

[**] **Term: 14 Years**

Primary Examiner—Prabhakar G. Deshmukh
Attorney, Agent, or Firm—Samuels, Gauthier, Stevens & Reppert

[21] **Appl. No.: 49,250**

[22] **Filed: Jan. 22, 1996**

[57] **CLAIM**

[51] **LOC (6) Cl. 14-03**

The ornamental design for a "a joystick", as shown and described.

[52] **U.S. Cl. D21/48**

[58] **Field of Search D21/1, 13, 48; 273/148 B, 433, 438, DIG. 28; D14/217, 114; 463/1, 37, 38**

DESCRIPTION

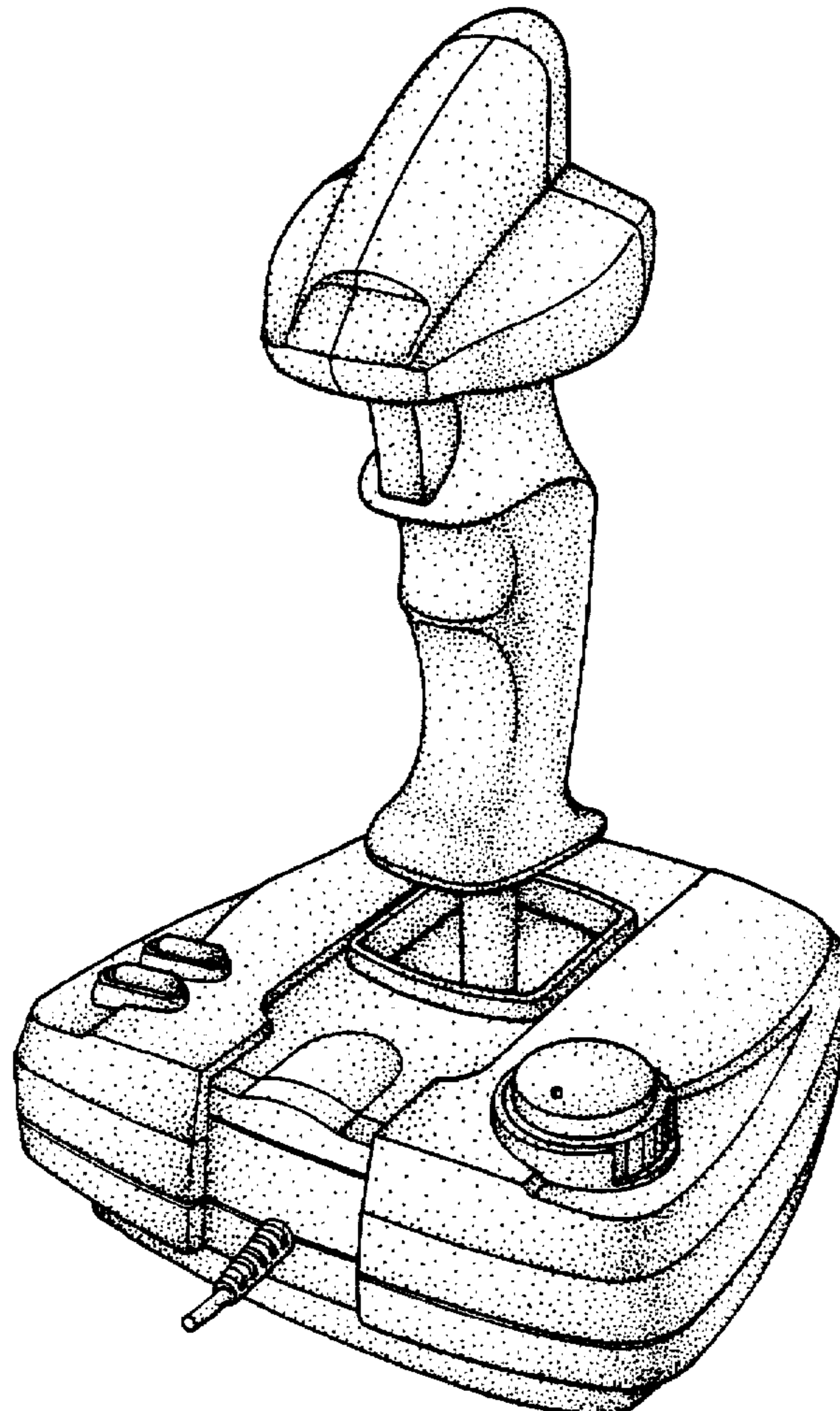
[56] **References Cited**

U.S. PATENT DOCUMENTS

D. 284,593 7/1986 Happ D21/48
D. 317,946 7/1991 Tse D21/48
D. 333,848 3/1993 Tse D21/48
D. 351,625 10/1994 Carter et al. D21/48
D. 357,947 5/1995 Richer D21/48

FIG. 1 is the front perspective view showing my new design;
FIG. 2 is the rear view thereof;
FIG. 3 is the front view thereof;
FIG. 4 is the right-hand view thereof;
FIG. 5 is the left-hand view thereof;
FIG. 6 is the top view thereof; and,
FIG. 7 is the bottom view thereof.

1 Claim, 4 Drawing Sheets



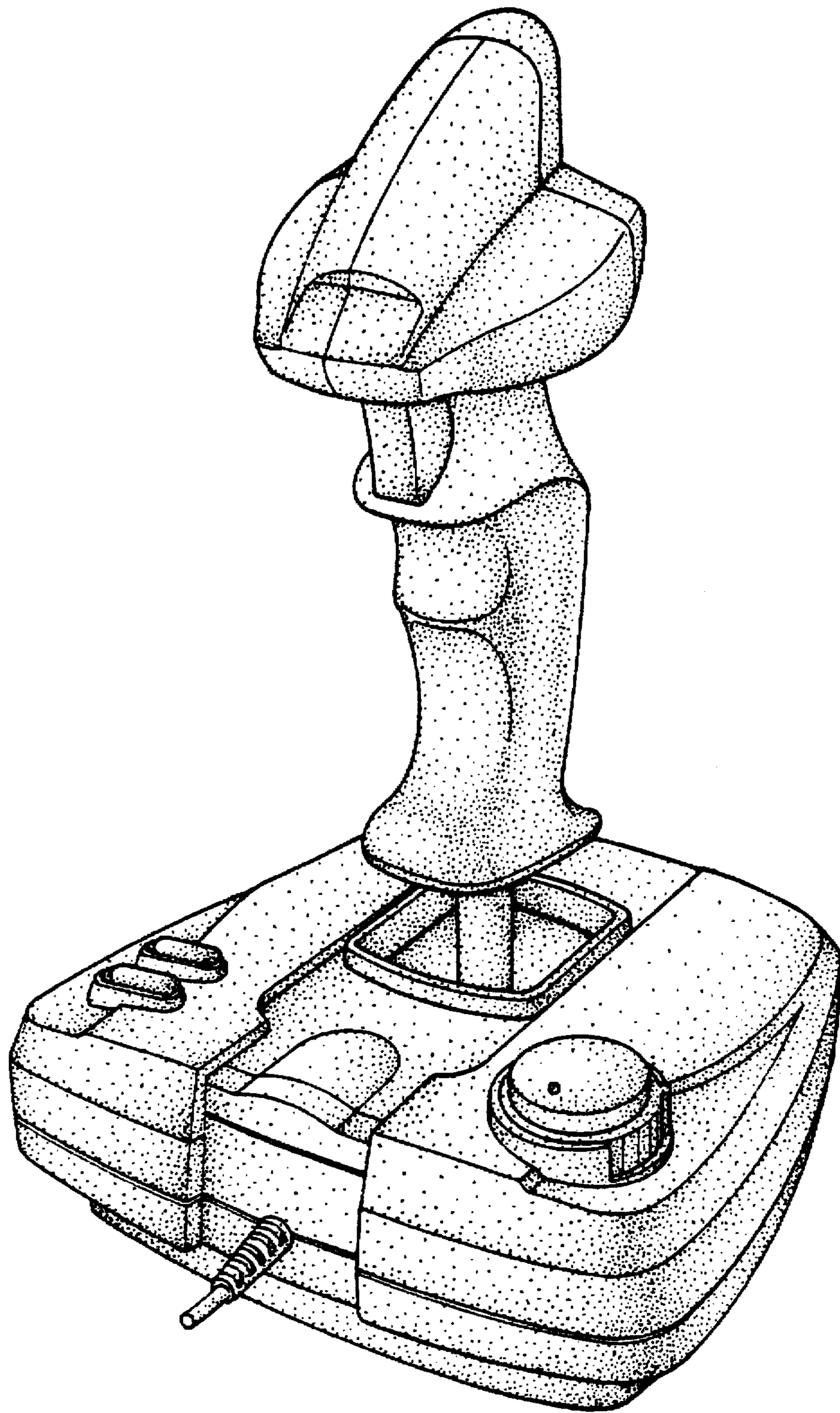


FIG.1

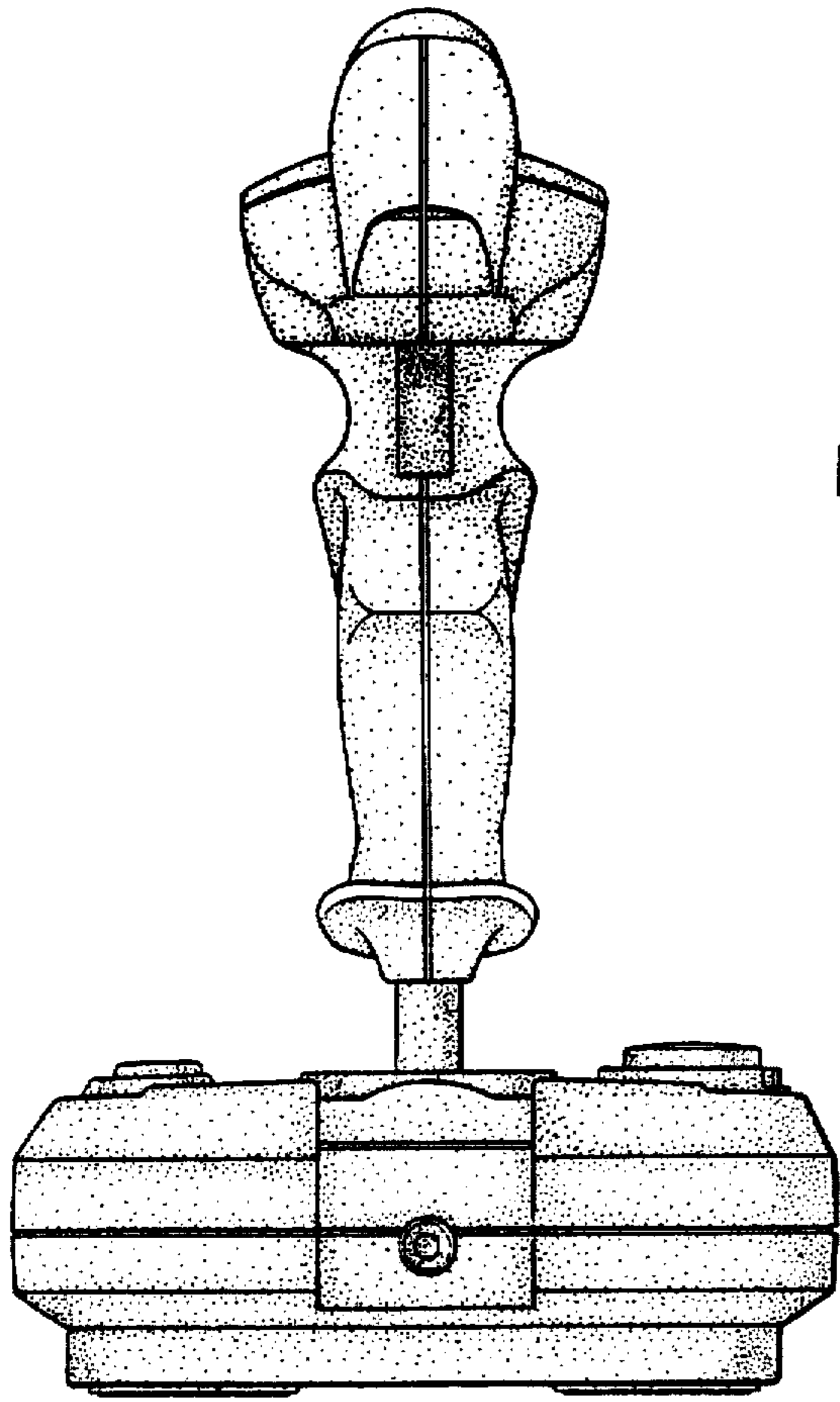


FIG. 2

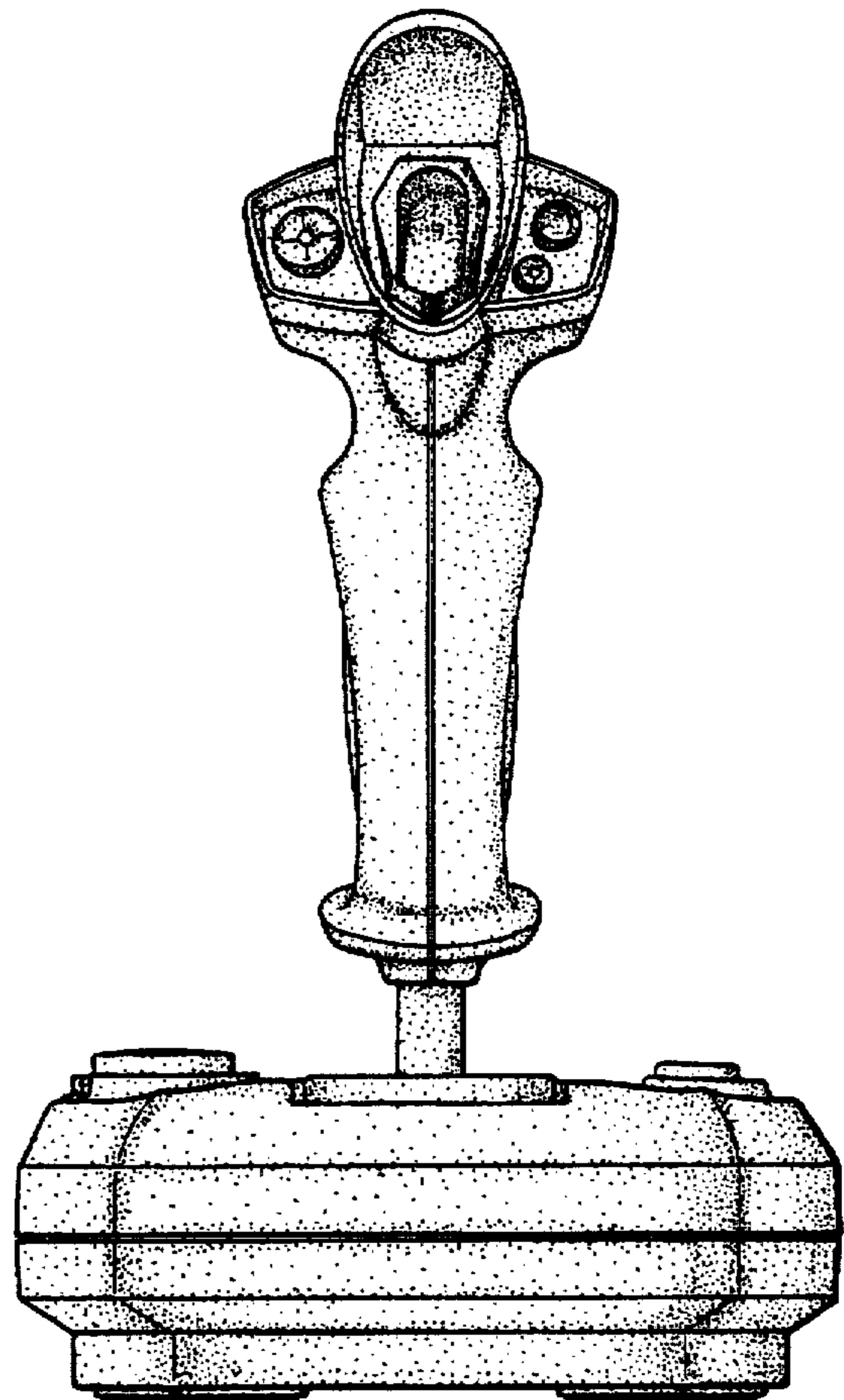


FIG. 3

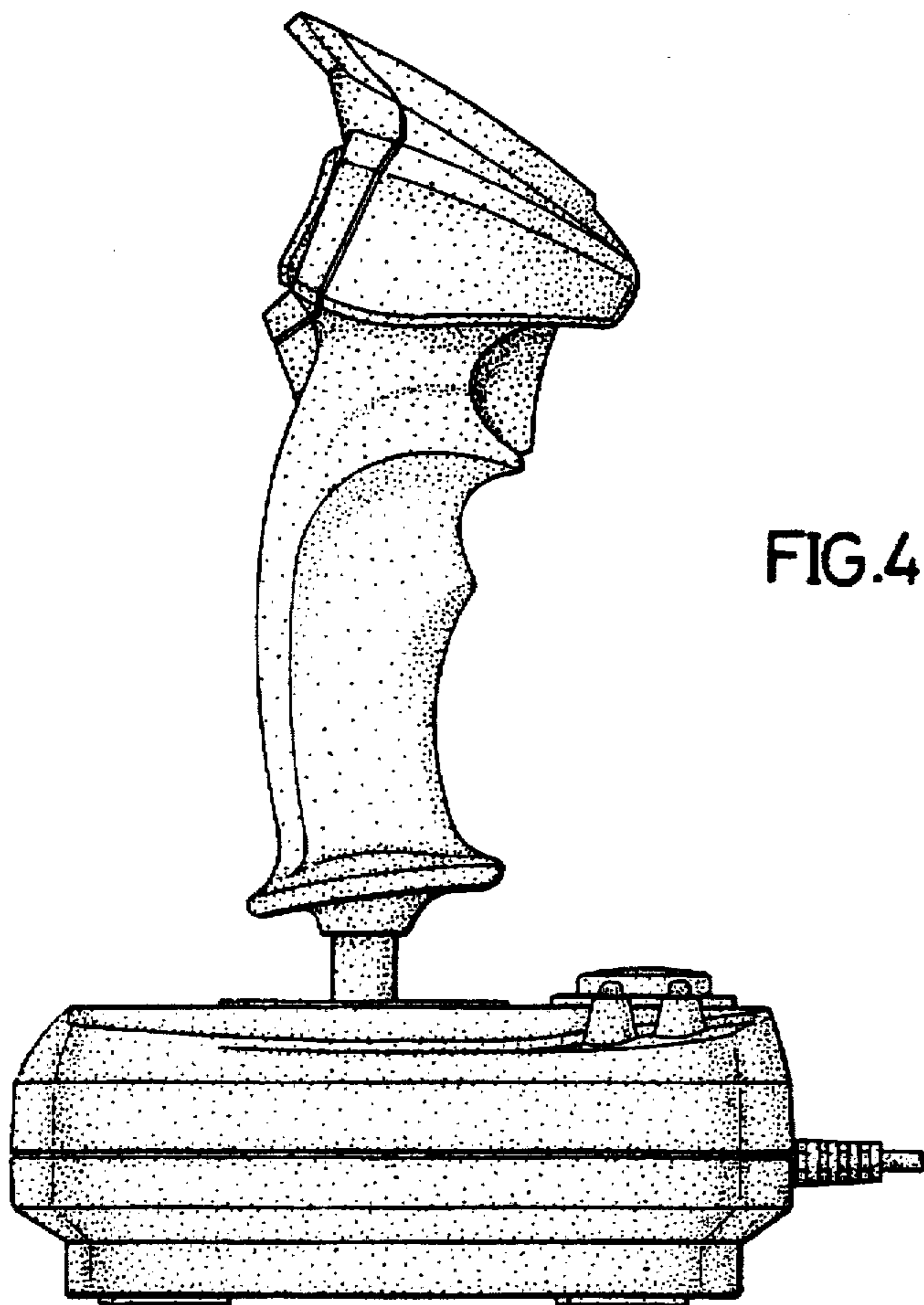
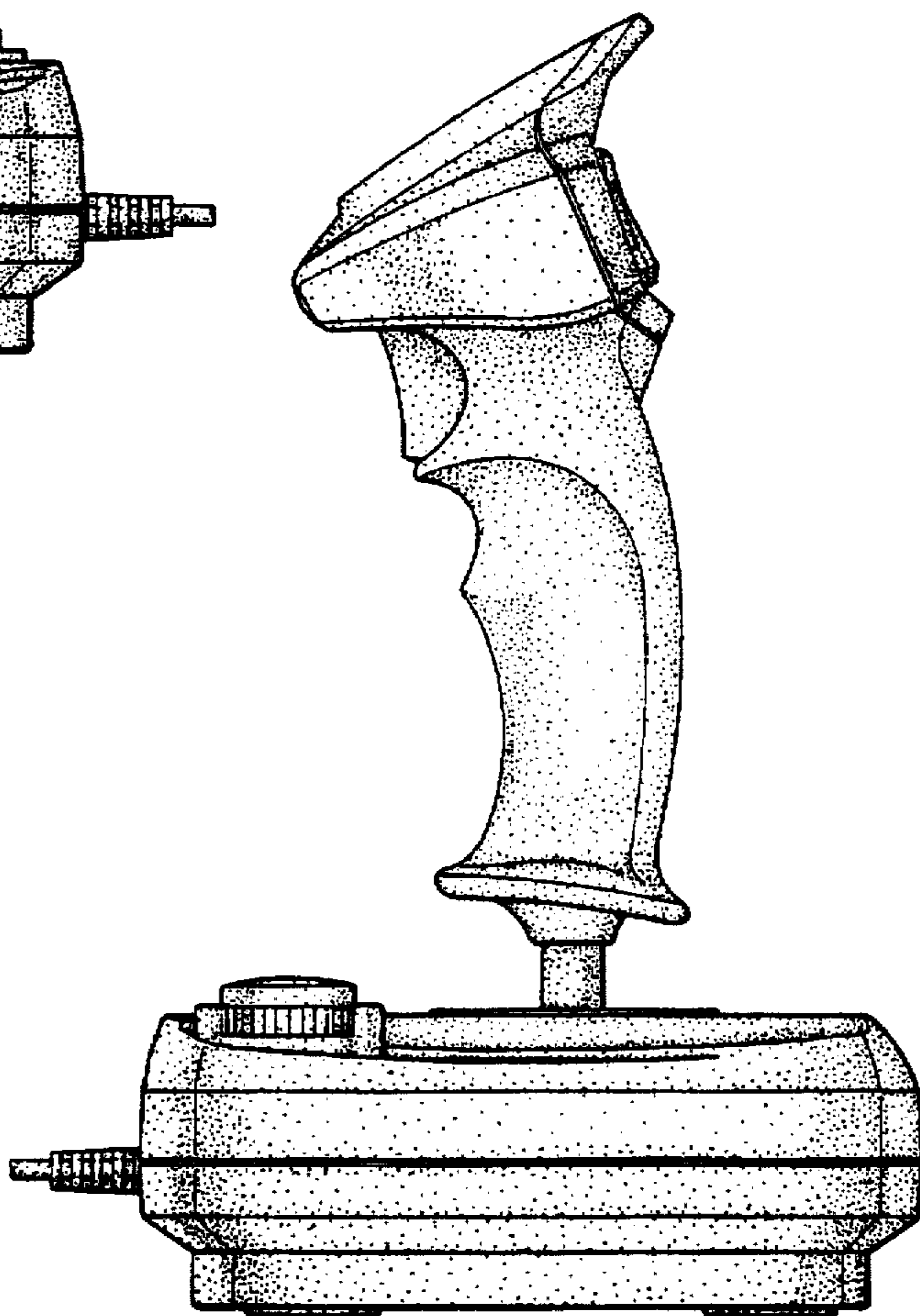


FIG.4

FIG.5



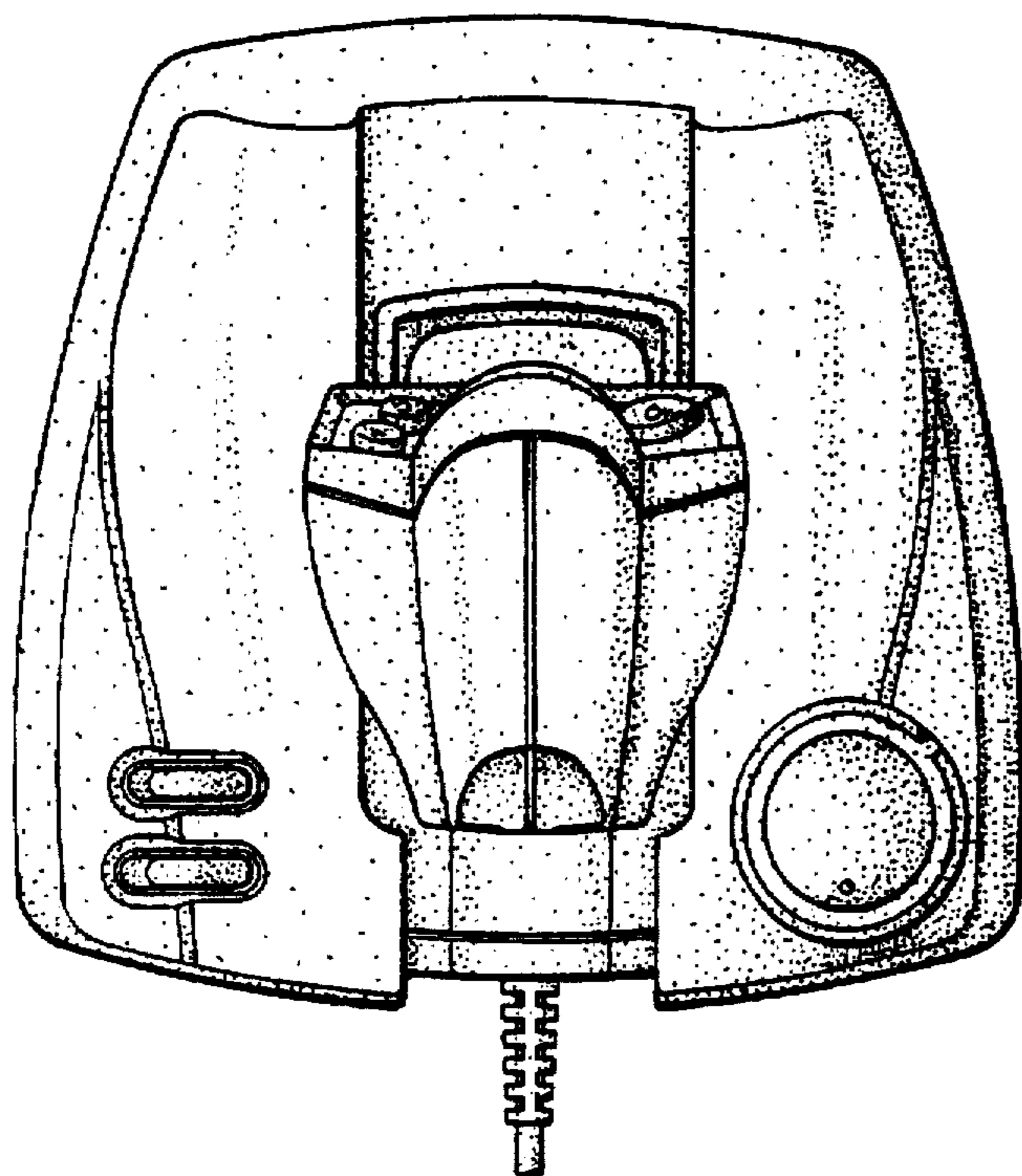


FIG. 6

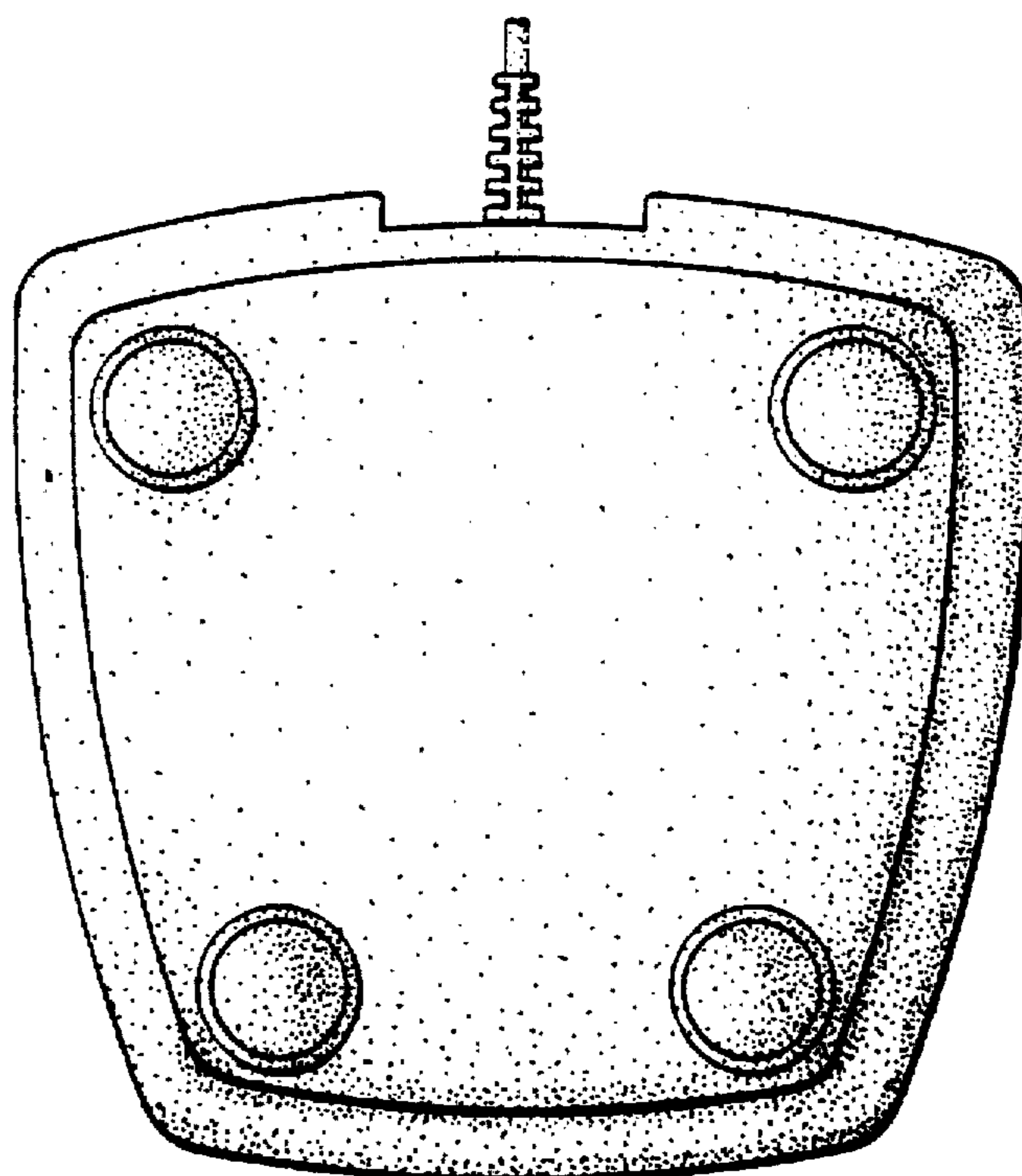


FIG. 7