



US00D389184S

**United States Patent** [19]  
**Chiu**

[11] **Patent Number: Des. 389,184**

[45] **Date of Patent: \*\*Jan. 13, 1998**

[54] **END FOR A PENLIGHT**

[75] **Inventor: Si Fu Chiu, Hong Kong, Hong Kong**

[73] **Assignee: Lite Master Limited, Tsuen Wan New Territories, Hong Kong**

[\*\*] **Term: 14 Years**

[21] **Appl. No.: 60,680**

[22] **Filed: Oct. 3, 1996**

[30] **Foreign Application Priority Data**

Apr. 9, 1996 [GB] United Kingdom ..... 2055406

[51] **LOC (6) Cl. .... 19-06**

[52] **U.S. Cl. .... D19/36; D26/38**

[58] **Field of Search .... D26/37-50; 362/109, 362/103, 118, 157, 158, 183-208; D19/35, 36, 41-51, 54-58, 81-85**

[56] **References Cited**

**U.S. PATENT DOCUMENTS**

D. 295,562	5/1988	Fazzina	.....	D26/49
D. 300,087	3/1989	Henderson	.....	D26/38
D. 329,823	9/1992	Francisco	.....	D26/38
D. 345,991	4/1994	Tzong-Taur	.....	D26/38
D. 358,842	5/1995	Shiau	.....	D26/38

*Primary Examiner*—Marcus A. Jackson  
*Attorney, Agent, or Firm*—Gunn, Lee & Miller, P.C.

[57] **CLAIM**

The ornamental design for an end for a penlight, as shown and described.

**DESCRIPTION**

FIG. 1 is a top end, front and left side perspective view of an end for a penlight showing my new design, with the broken line showing for illustrative purposes only and forming no part of the claimed design;

FIG. 2 is a top end, front and right side perspective view thereof;

FIG. 3 is an enlarged fragmentary top end, front and left side perspective view thereof;

FIG. 4 is an enlarged fragmentary top end, front and right side perspective view thereof;

FIG. 5 is a front elevational view thereof;

FIG. 6 is a rear elevational view thereof;

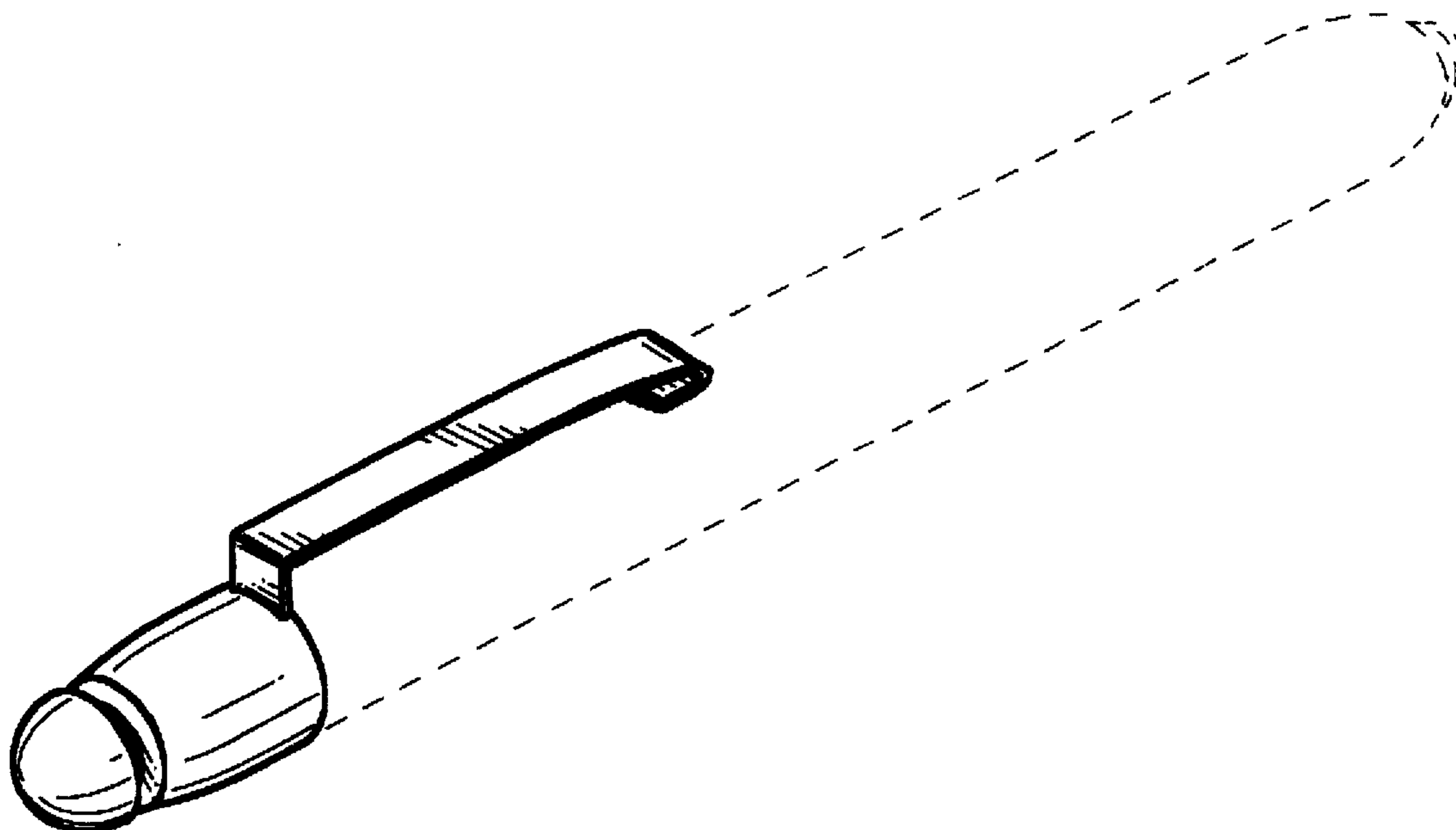
FIG. 7 is a left side elevational view thereof;

FIG. 8 is a right side elevational view thereof;

FIG. 9 is a bottom end elevational view thereof; and,

FIG. 10 is a bottom end elevational view thereof.

**1 Claim, 3 Drawing Sheets**



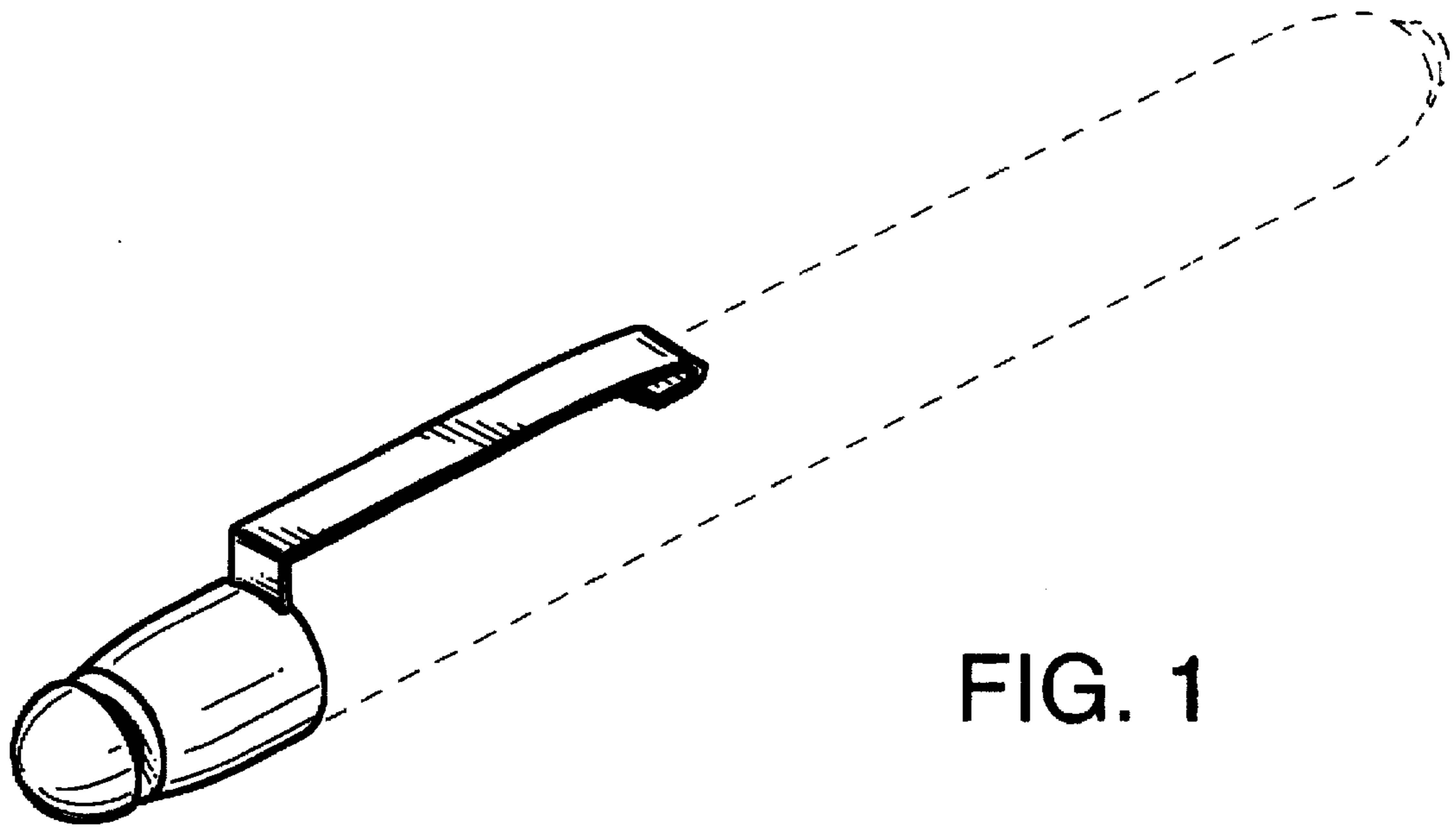


FIG. 1

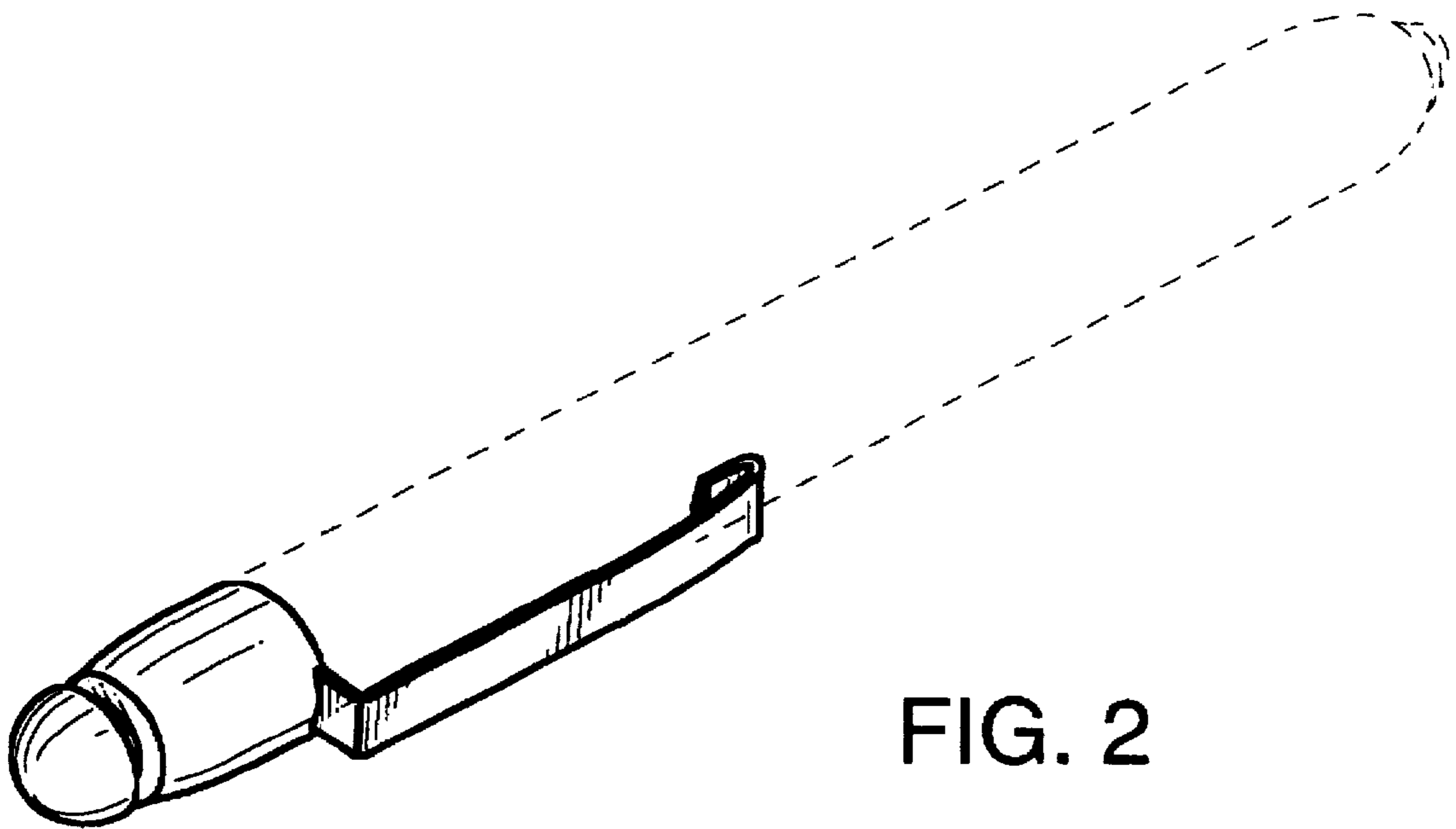


FIG. 2

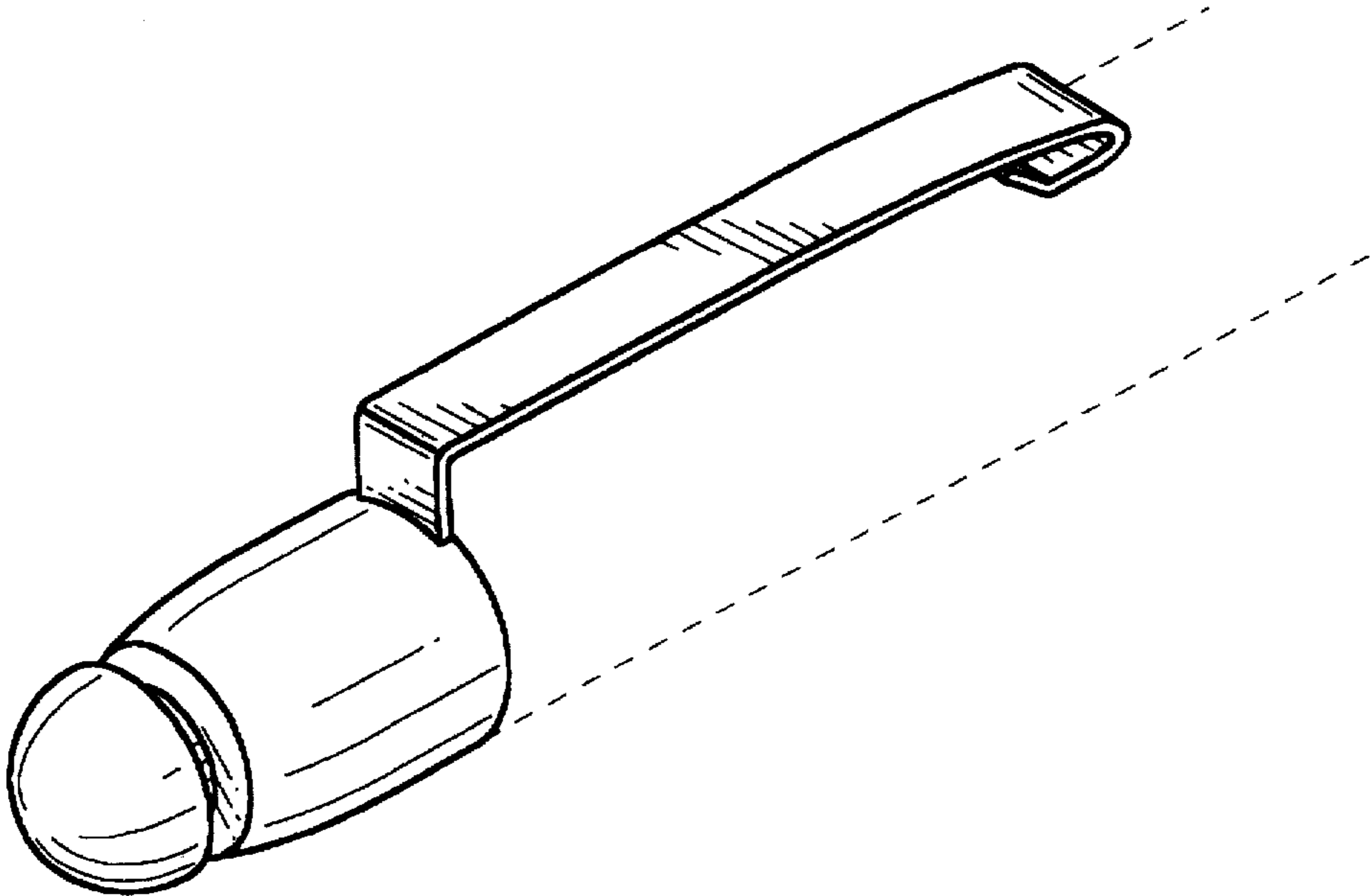


FIG. 3

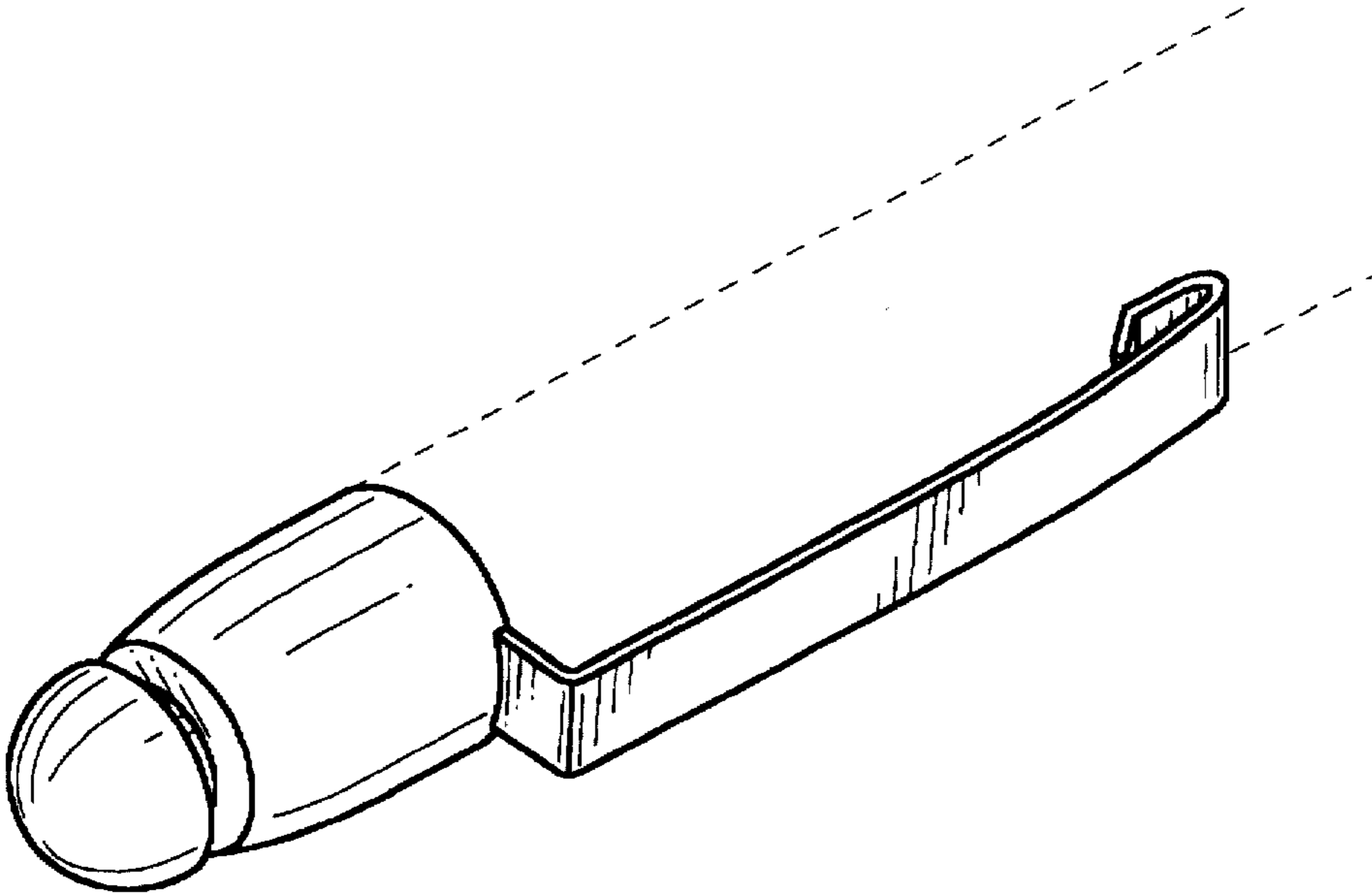


FIG. 4



FIG. 9



FIG. 10

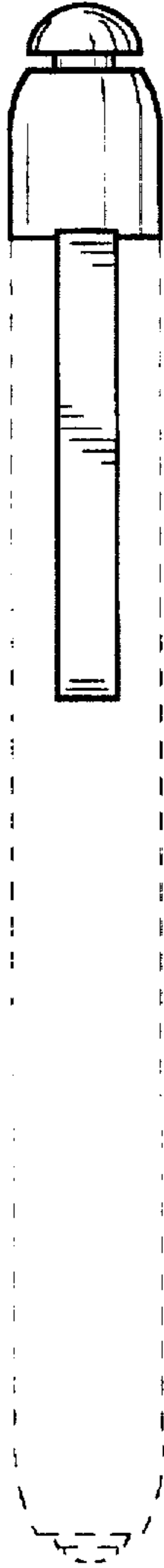


FIG. 5

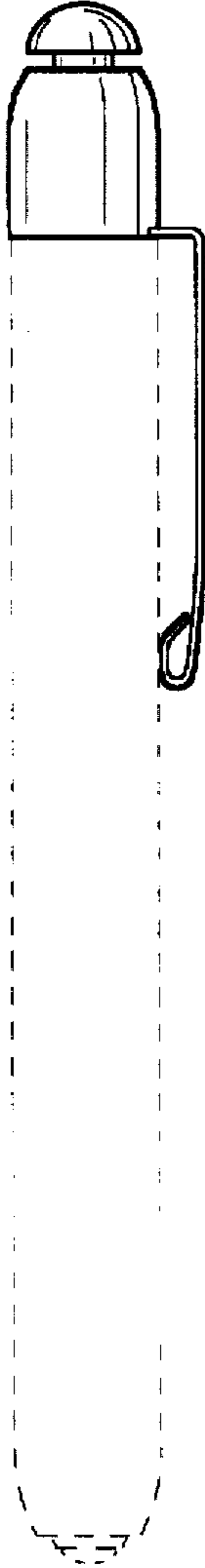


FIG. 7



FIG. 6

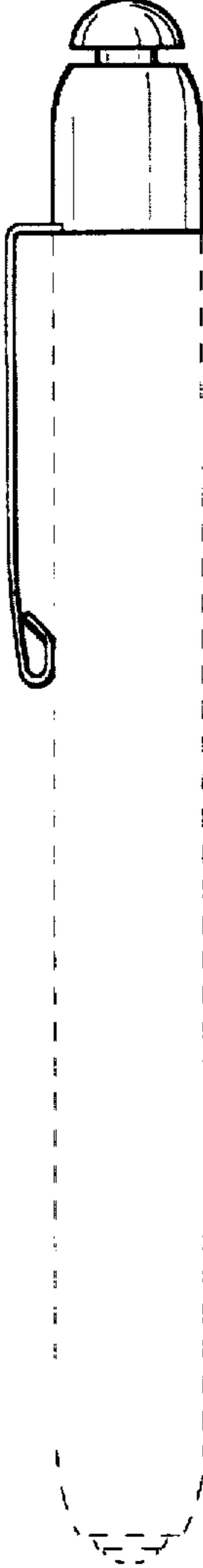


FIG. 8