



US00D389183S

United States Patent [19]
Chan

[11] **Patent Number: Des. 389,183**

[45] **Date of Patent: **Jan. 13, 1998**

[54] **RING BINDER**

[75] **Inventor: Keung Chan, An Hsin, China**

[73] **Assignee: Leco Stationery Manufacturing Co., Ltd., Hong Kong**

[**] **Term: 14 Years**

[21] **Appl. No.: 60,299**

[22] **Filed: Sep. 18, 1996**

[30] **Foreign Application Priority Data**

Jul. 23, 1996 [GB] United Kingdom 2057874

[51] **LOC (6) Cl. 19-04**

[52] **U.S. Cl. D19/32; D19/27**

[58] **Field of Search D19/26, 27, 32, D19/99, 100; 281/29, 31, 33, 45, 19.2; 402/60, 70, 75, 76, 77, 26, 38, 39, 37, 80 R, 80 P**

[56] **References Cited**

U.S. PATENT DOCUMENTS

D. 325,928 5/1992 Bourgeois D19/27
D. 356,112 3/1995 Constantine D19/32
D. 377,805 2/1997 To D19/32

2,091,188 8/1937 St. Louis D19/32 X
2,801,115 7/1957 Federbush et al. 281/31
3,101,719 8/1963 Vernon 402/38
3,334,920 8/1967 Orth 281/33
3,404,685 10/1968 Vernon 402/41

OTHER PUBLICATIONS

Boorum & Pease, p. 36, see Ringbinder Mechanism, left side of page, ©, 1954.

Primary Examiner—Martie Thompson
Attorney, Agent, or Firm—Dority & Manning, P.A.

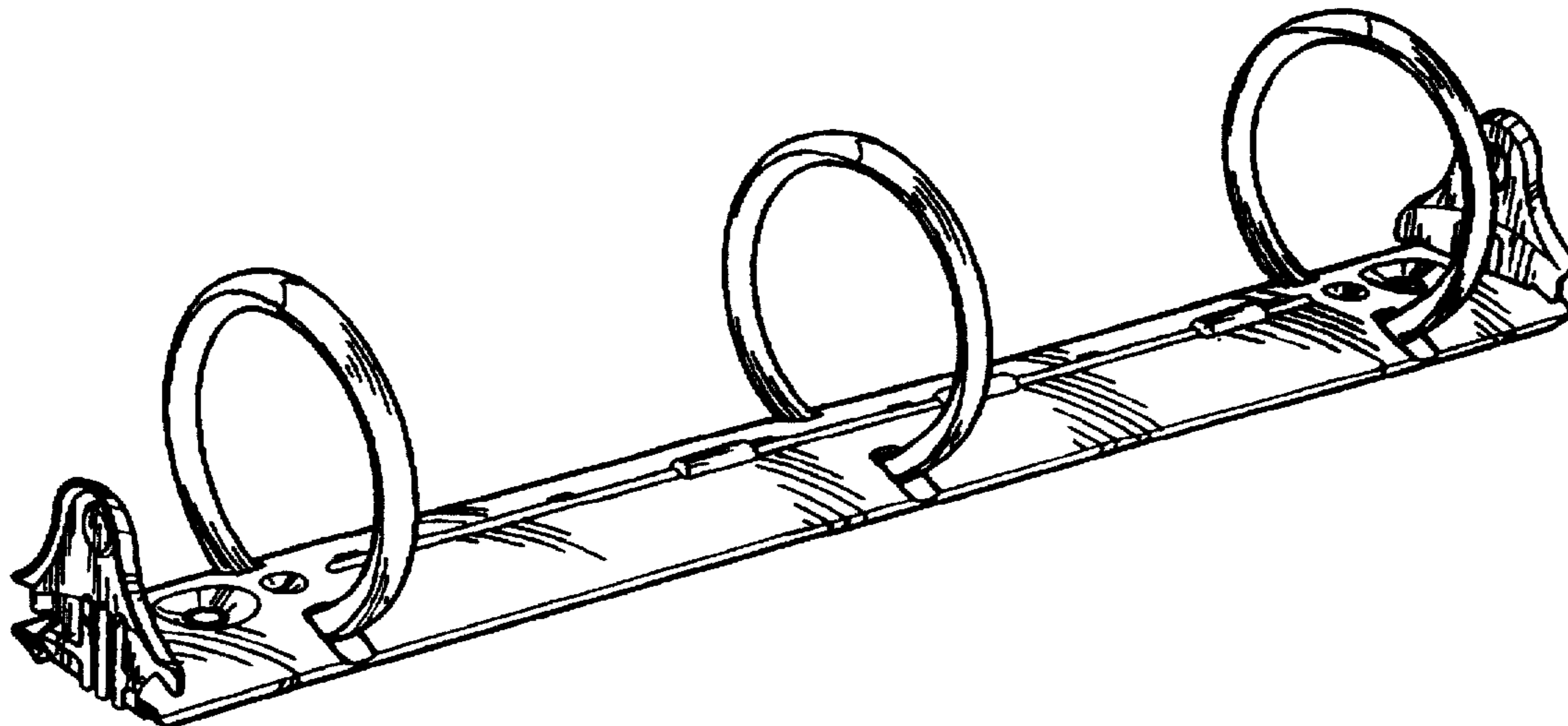
[57] **CLAIM**

The ornamental design for a ring binder, as shown and described.

DESCRIPTION

FIG. 1 is a perspective view of an embodiment of the ring binder according to the present invention with rings closed; FIG. 2 is a perspective view of a ring binder as in FIG. 1 with rings open; FIG. 3 is a side view of the ring binder as in FIG. 1; FIG. 4 is a top view of the ring binder as in FIG. 1; FIG. 5 is a front view of the ring binder as in FIG. 1; FIG. 6 is a side view of the ring binder as in FIG. 1; FIG. 7 is a bottom view of the ring binder as in FIG. 1; and FIG. 8 is an end view of the ring binder as in FIG. 1.

1 Claim, 3 Drawing Sheets



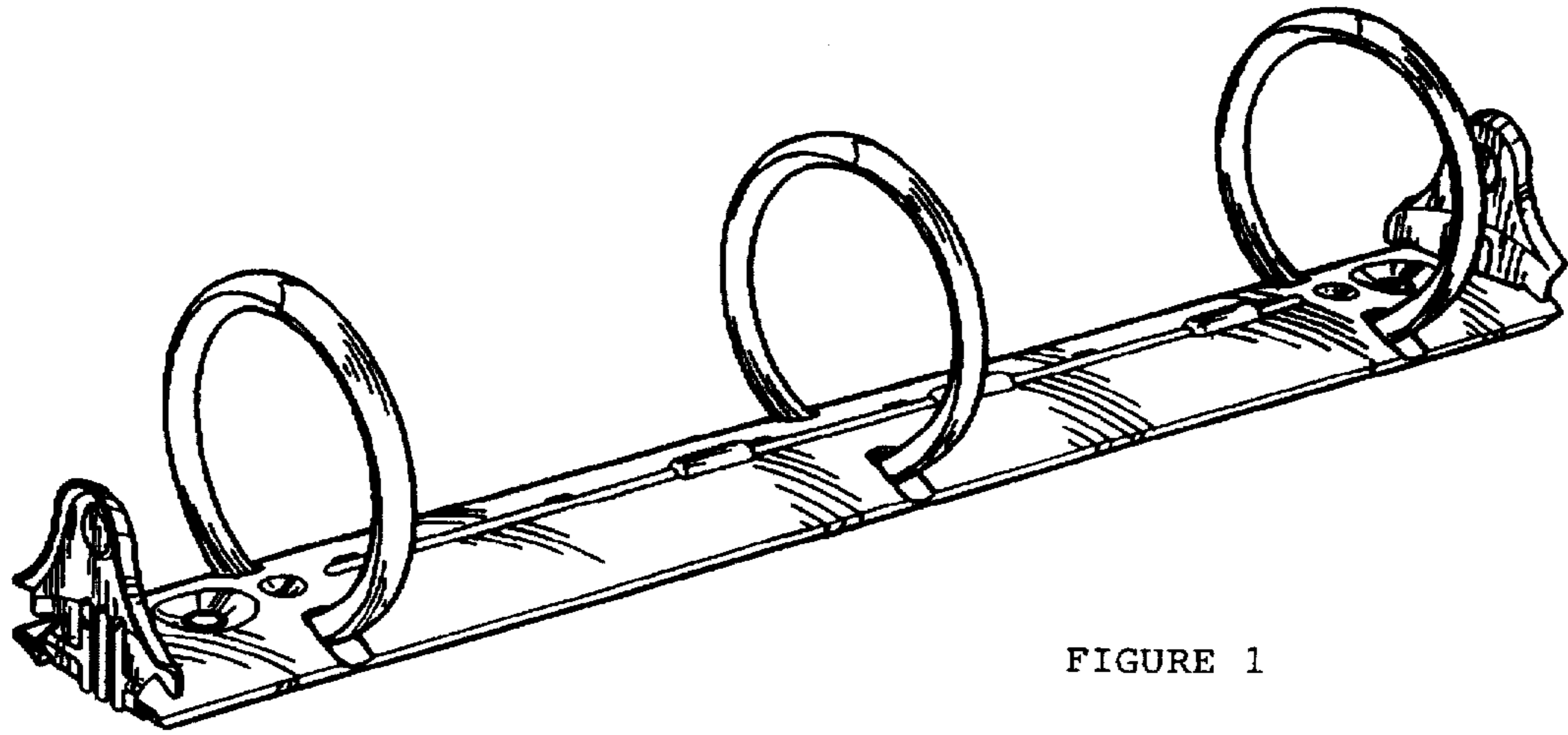


FIGURE 1

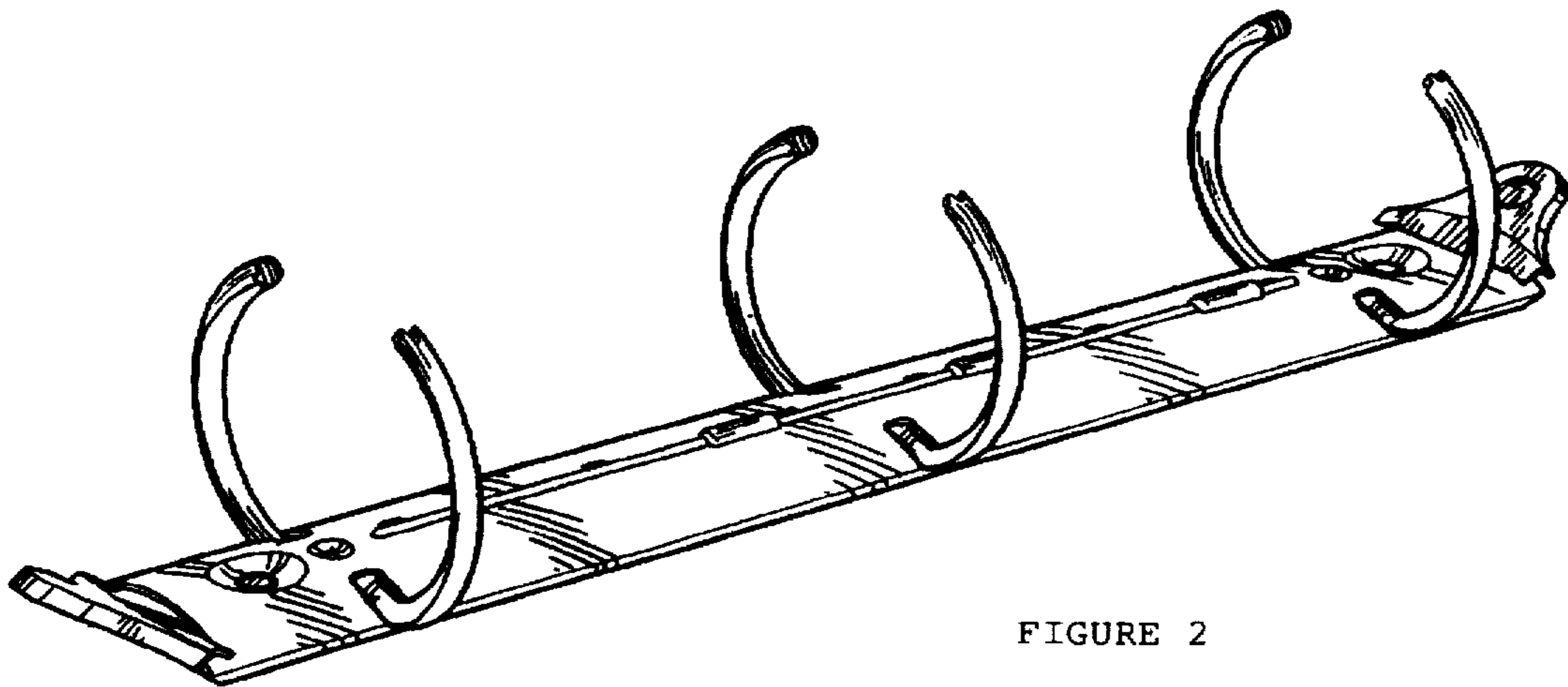


FIGURE 2

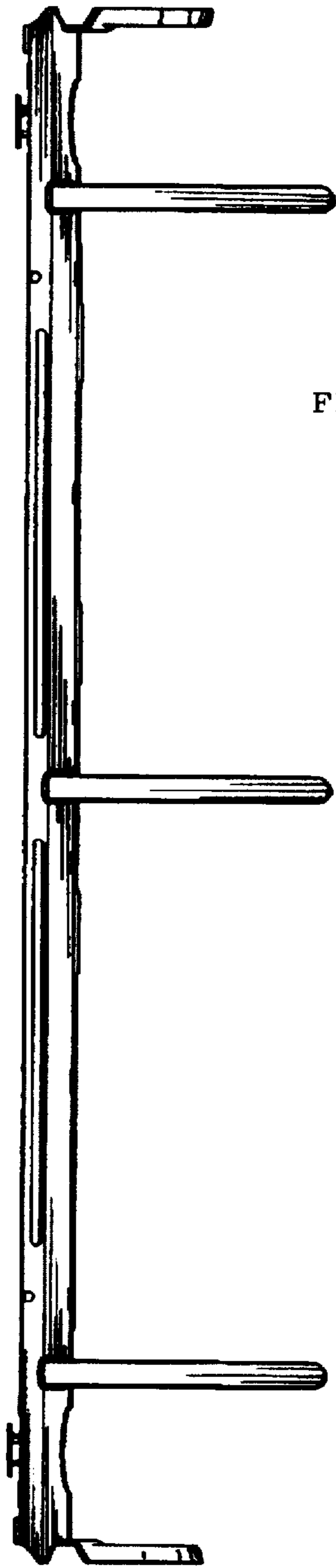


FIGURE 3

FIGURE 4

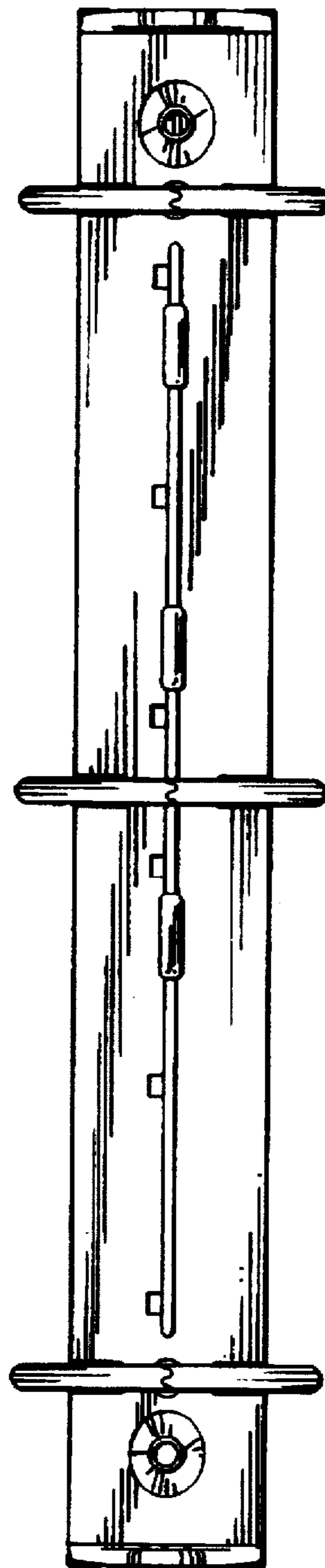
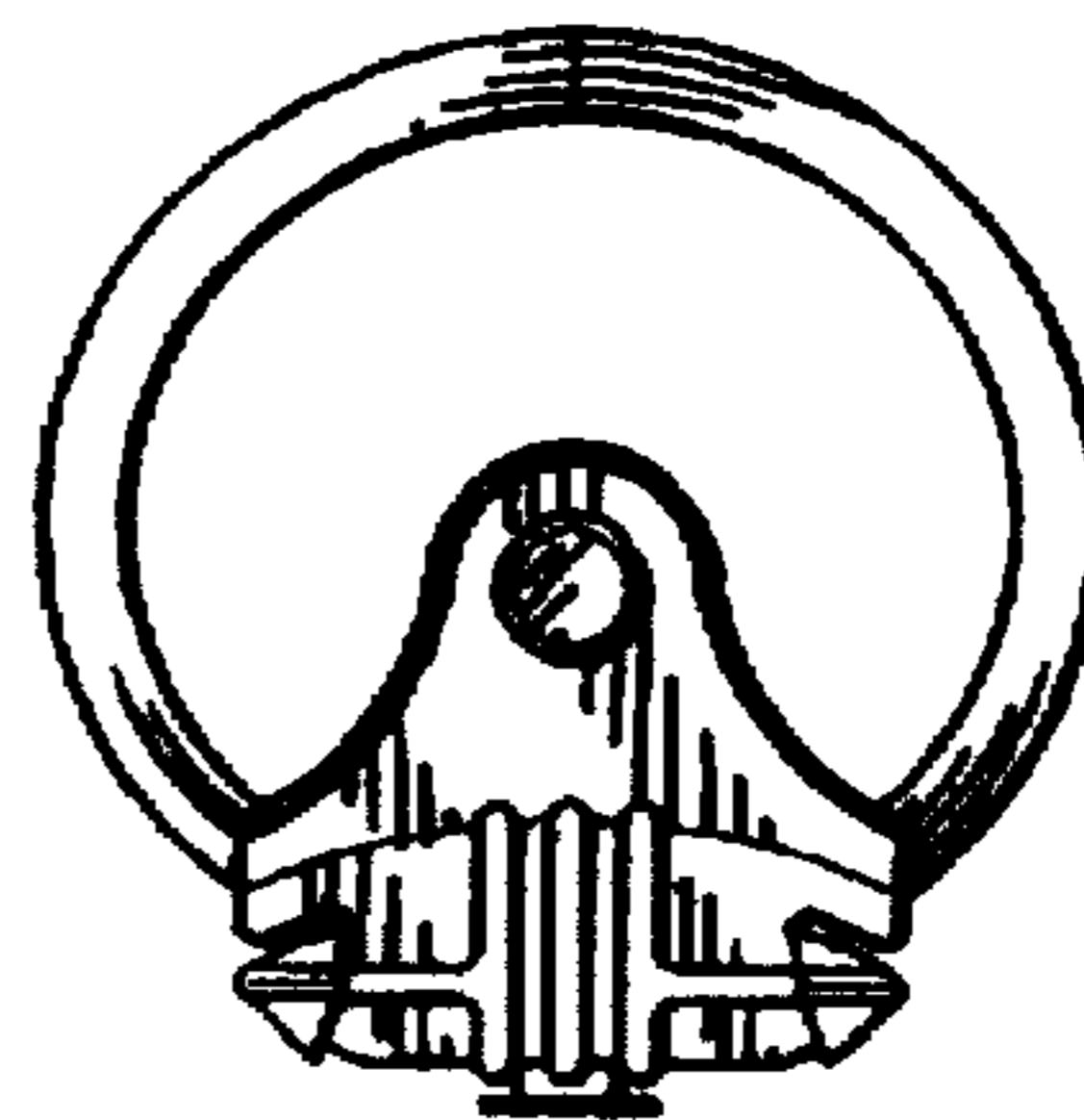


FIGURE 5



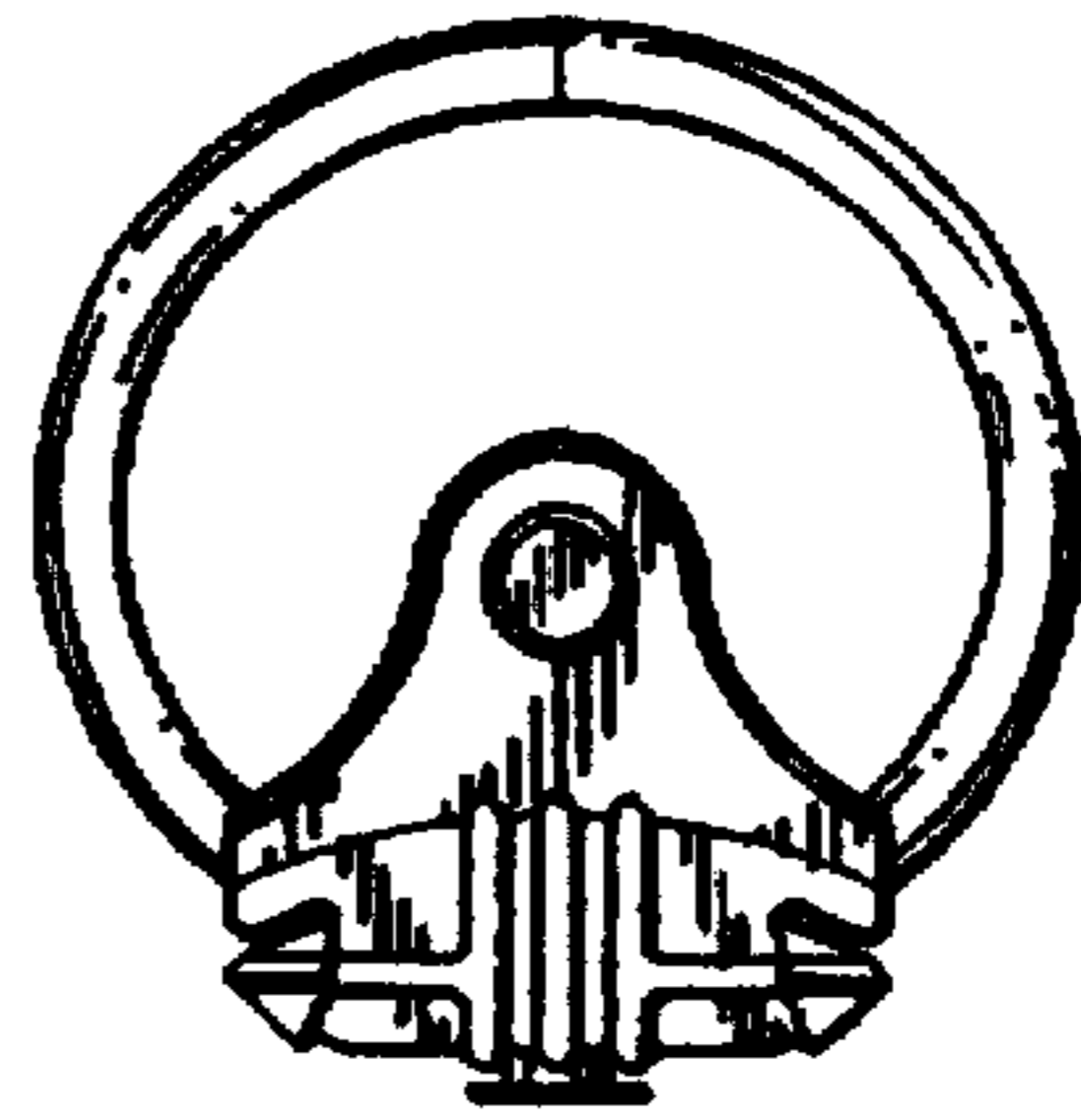


FIGURE 8

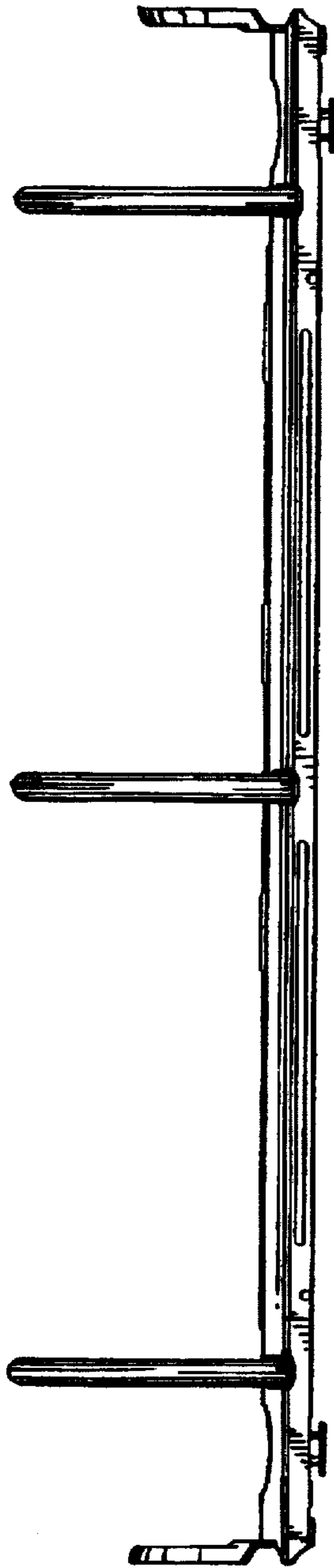


FIGURE 6

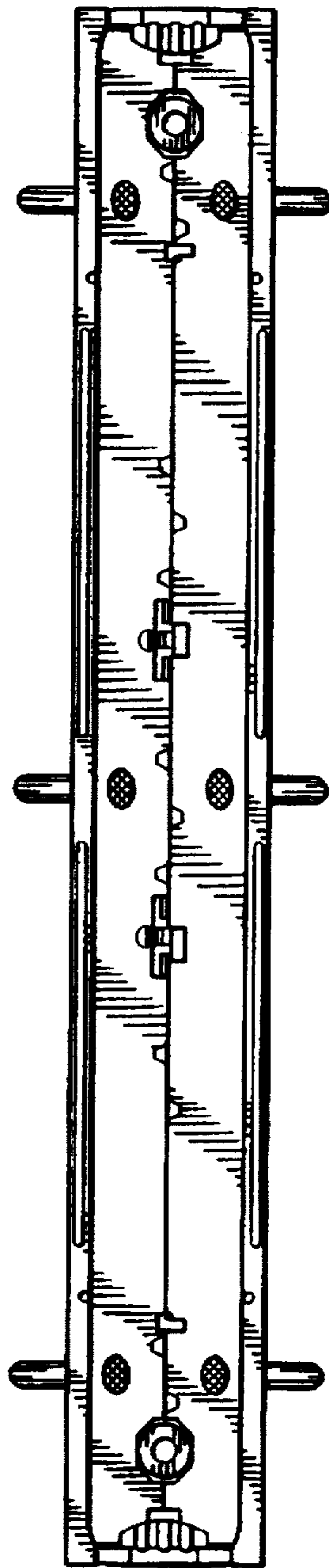


FIGURE 7