



US00D389180S

**United States Patent** [19]  
**Miyazawa et al.**

[11] **Patent Number: Des. 389,180**  
[45] **Date of Patent: \*\*Jan. 13, 1998**

[54] **INK CARTRIDGE FOR PRINTER**

[75] Inventors: **Hisashi Miyazawa; Takao Kobayashi; Seiji Mochizuki**, all of Suwa, Japan

[73] Assignee: **Seiko Epson Corporation**, Tokyo, Japan

[\*\*] Term: **14 Years**

[21] Appl. No.: **60,175**

[22] Filed: **Sep. 24, 1996**

[30] **Foreign Application Priority Data**

Mar. 26, 1996 [JP] Japan ..... 8-8261

[51] LOC (6) Cl. .... **18-02**

[52] U.S. Cl. .... **D18/56; 347/87**

[58] Field of Search ..... **D18/43, 56; 347/86, 347/87**

[56] **References Cited**

**U.S. PATENT DOCUMENTS**

- D. 351,190 10/1994 Oshima et al. .... D18/56
- D. 361,591 8/1995 Tokuda et al. .... D18/56
- D. 365,119 12/1995 Ujita et al. .... D18/56
- D. 365,596 12/1995 Miyazawa et al. .... D18/56

- D. 369,383 4/1996 Miyazawa et al. .... D18/56
- D. 372,732 8/1996 Taneya et al. .... D18/56
- 4,156,244 5/1979 Erikson et al. .... 347/86
- 4,631,558 12/1986 Hara ..... 347/86
- 5,422,667 6/1995 Daggs et al. .... D18/56
- 5,488,401 1/1996 Mochizuki et al. .... 347/86
- 5,567,373 10/1996 Sato et al. .... 347/87
- 5,572,245 11/1996 Cowger ..... 347/87
- 5,595,223 1/1997 Hayao ..... 347/87
- 5,600,358 2/1997 Baldwin et al. .... 347/87

*Primary Examiner*—Cathy Anne MacCormac  
*Attorney, Agent, or Firm*—Stroock & Stroock & Lavan LLP

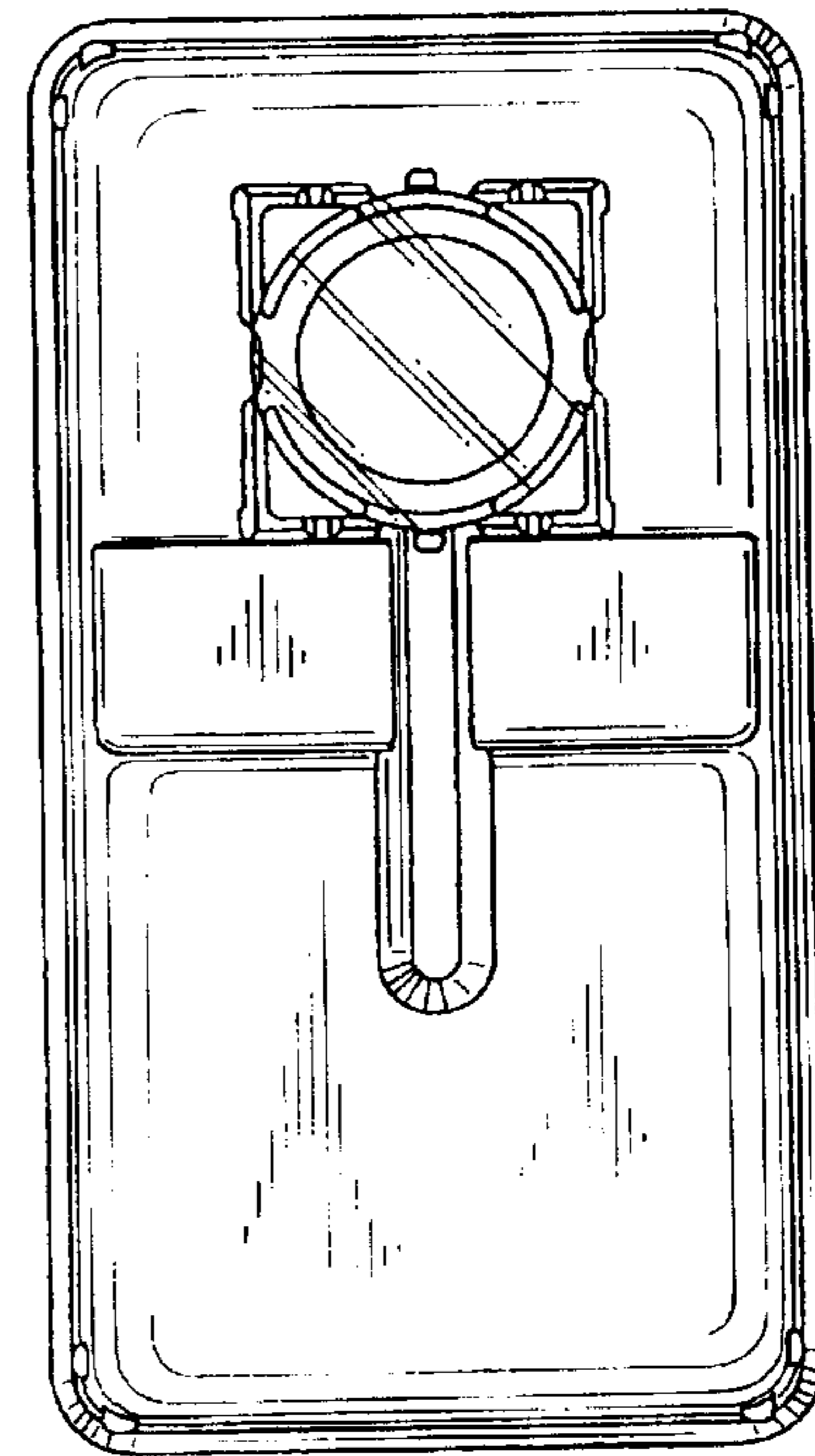
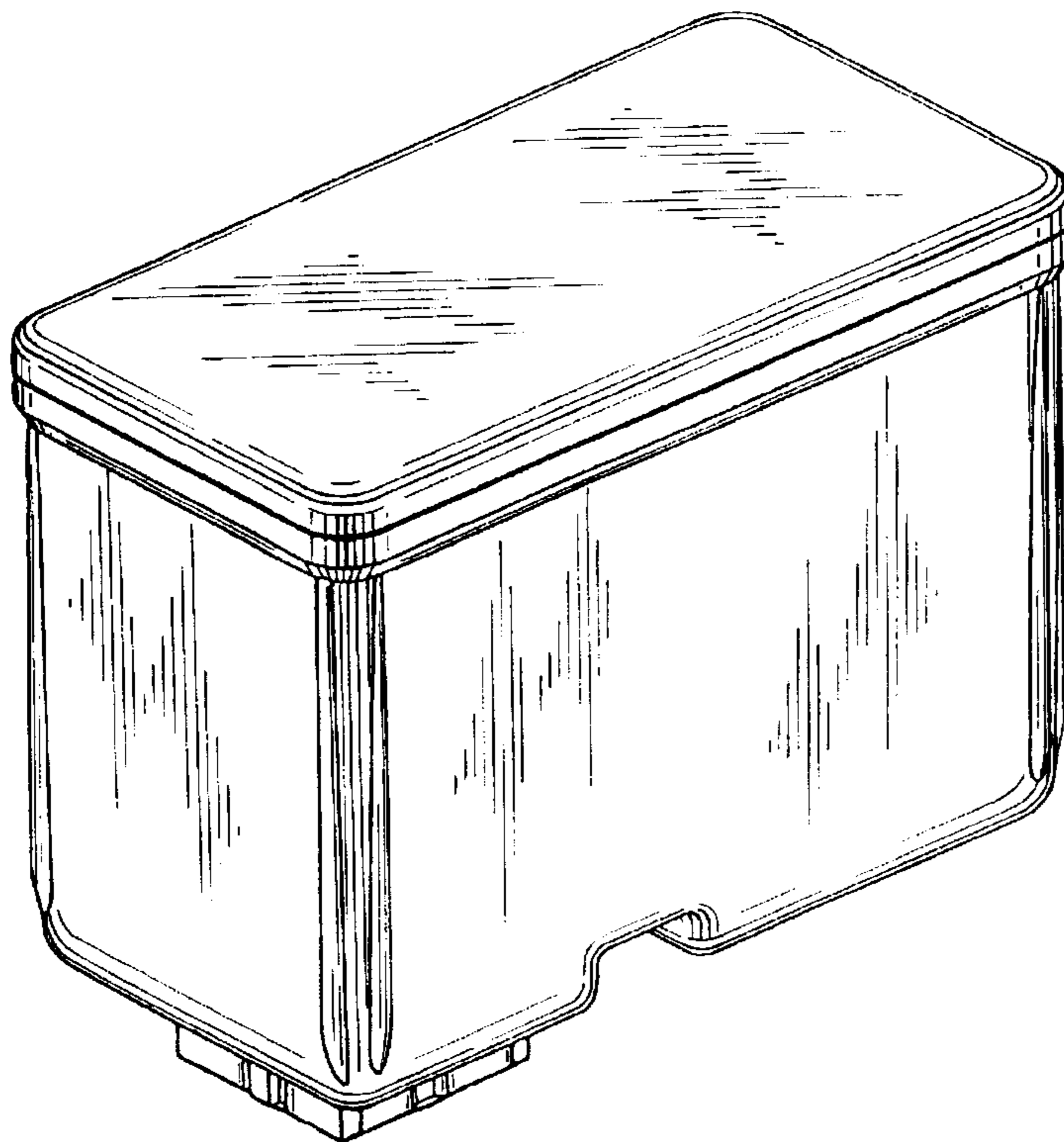
[57] **CLAIM**

The ornamental design for an ink cartridge for printer, as shown and described.

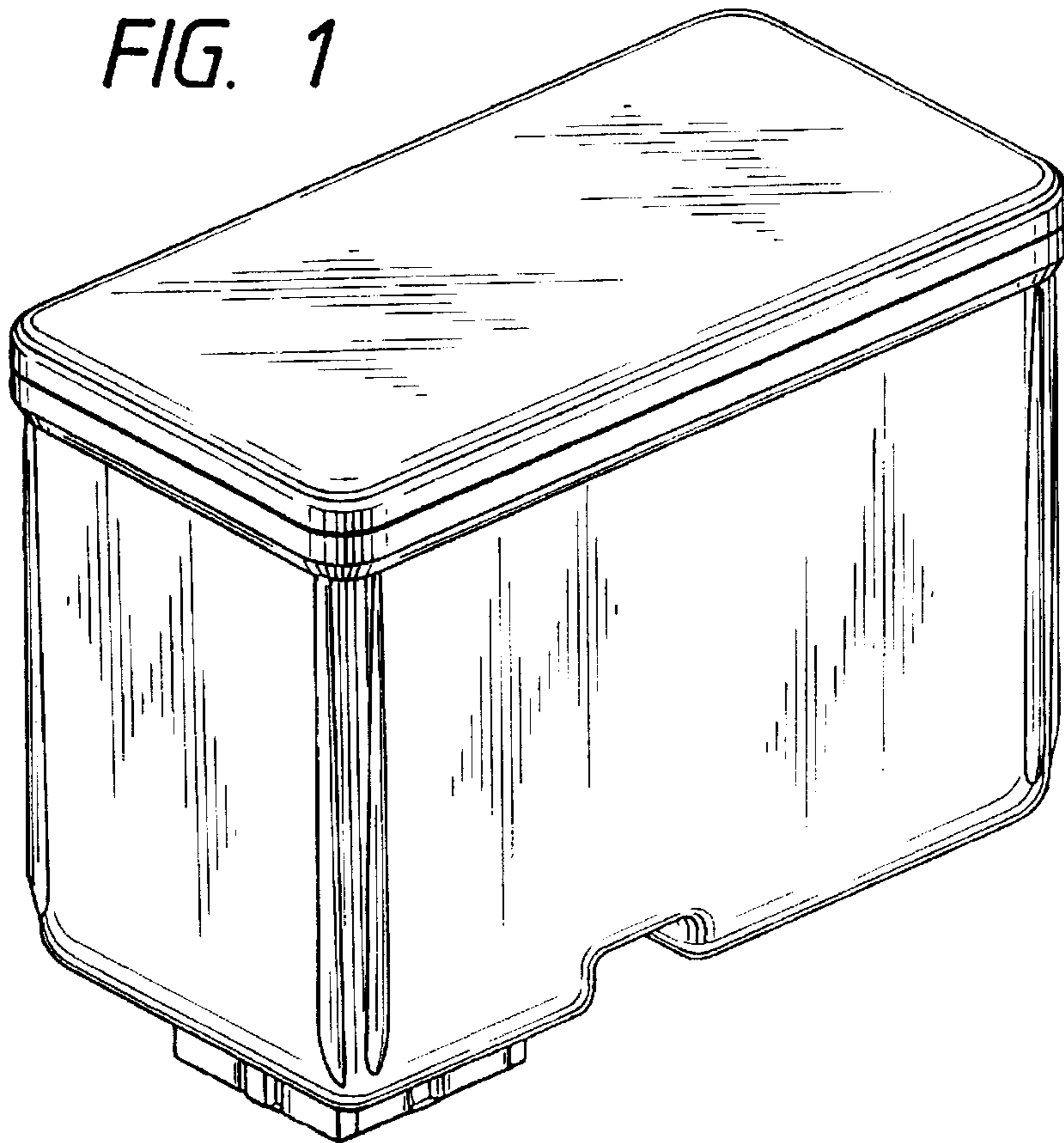
**DESCRIPTION**

FIG. 1 is a front perspective view of an ink cartridge for printer showing our new design;  
FIG. 2 is a front view thereof;  
FIG. 3 is a rear view thereof;  
FIG. 4 is a top plan view thereof;  
FIG. 5 is a bottom view thereof;  
FIG. 6 is a right side view thereof; and,  
FIG. 7 is a left side view thereof;

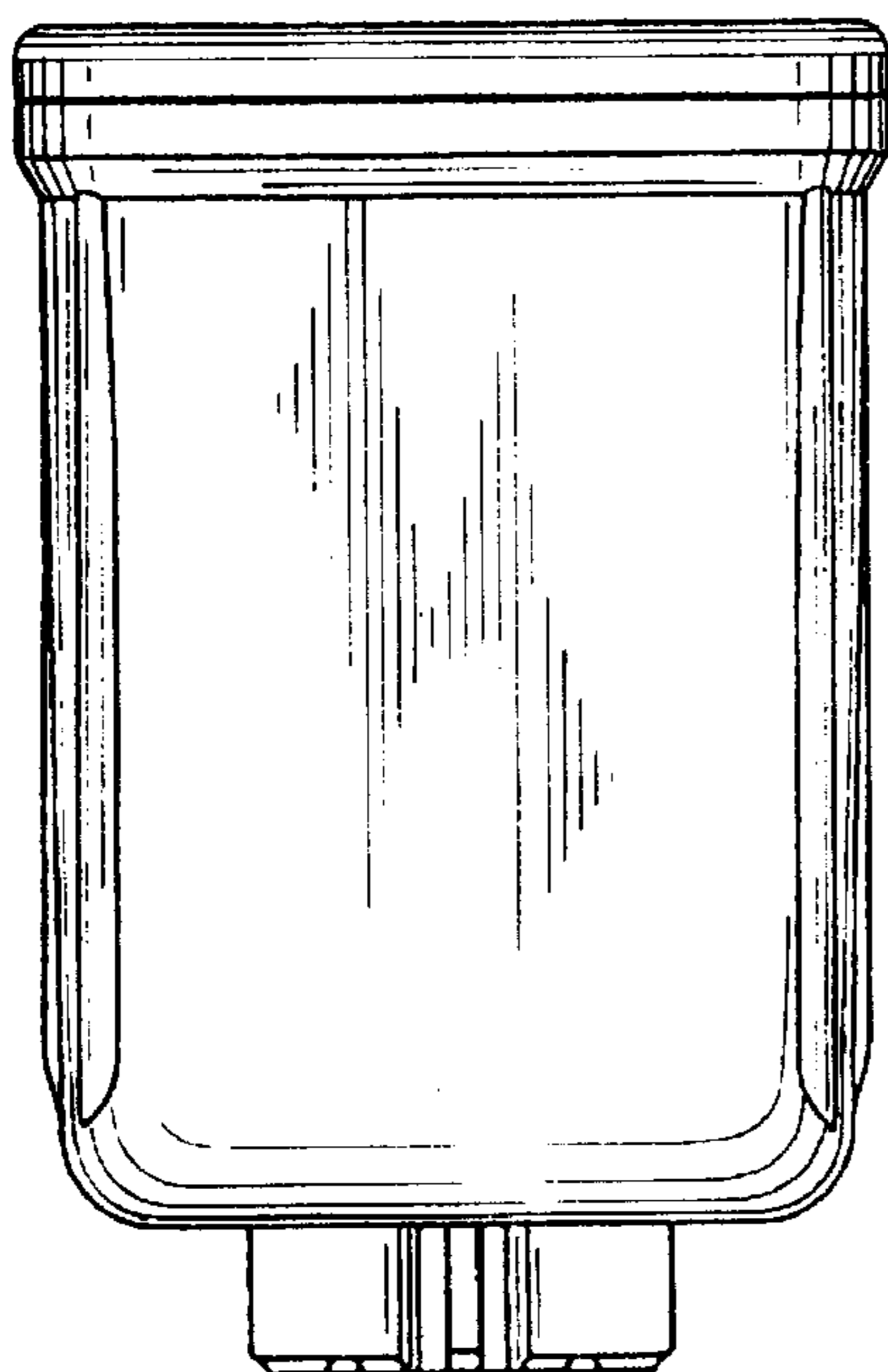
**1 Claim, 3 Drawing Sheets**



*FIG. 1*



*FIG. 2*



*FIG. 3*

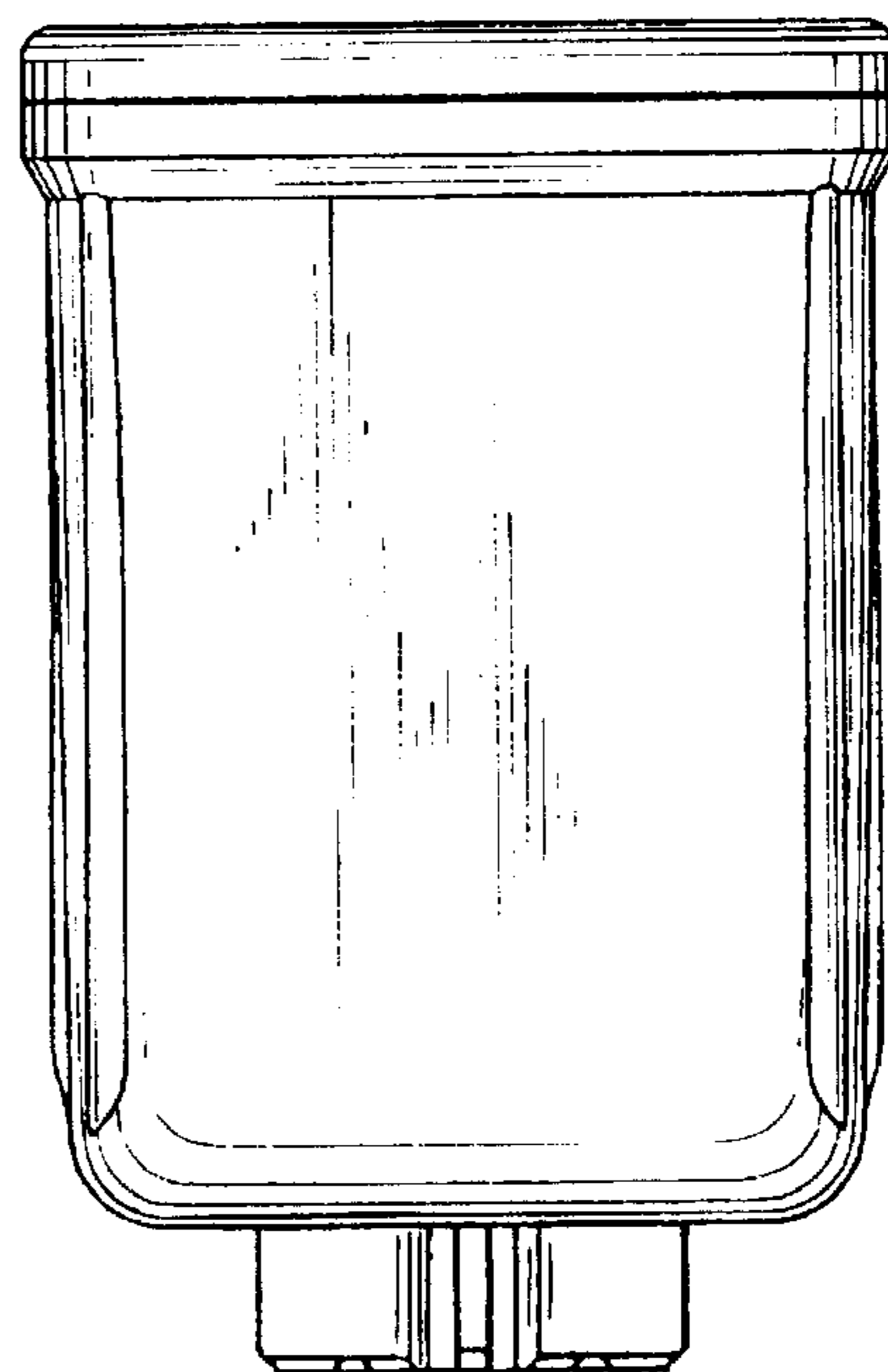


FIG. 4

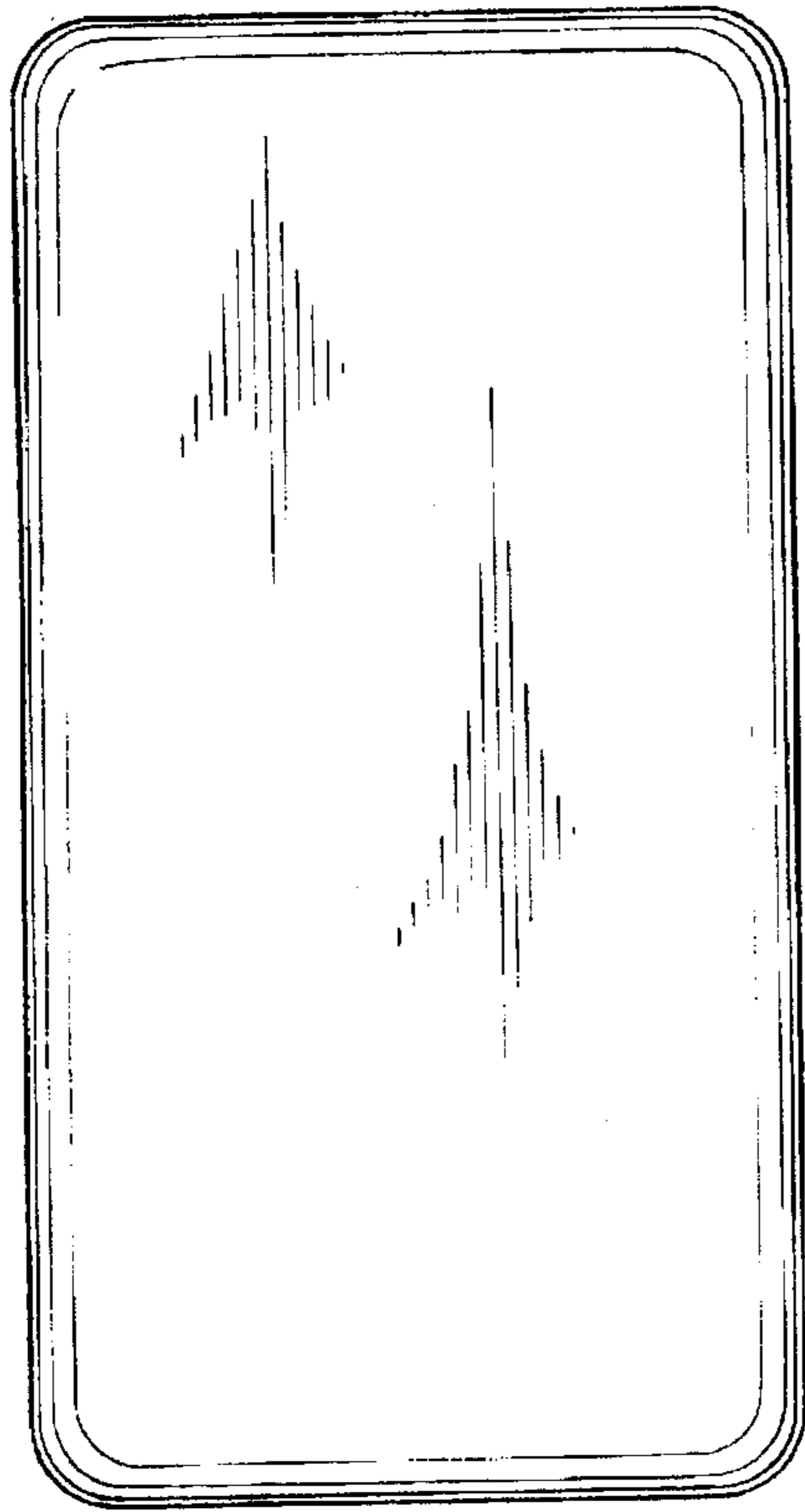


FIG. 5

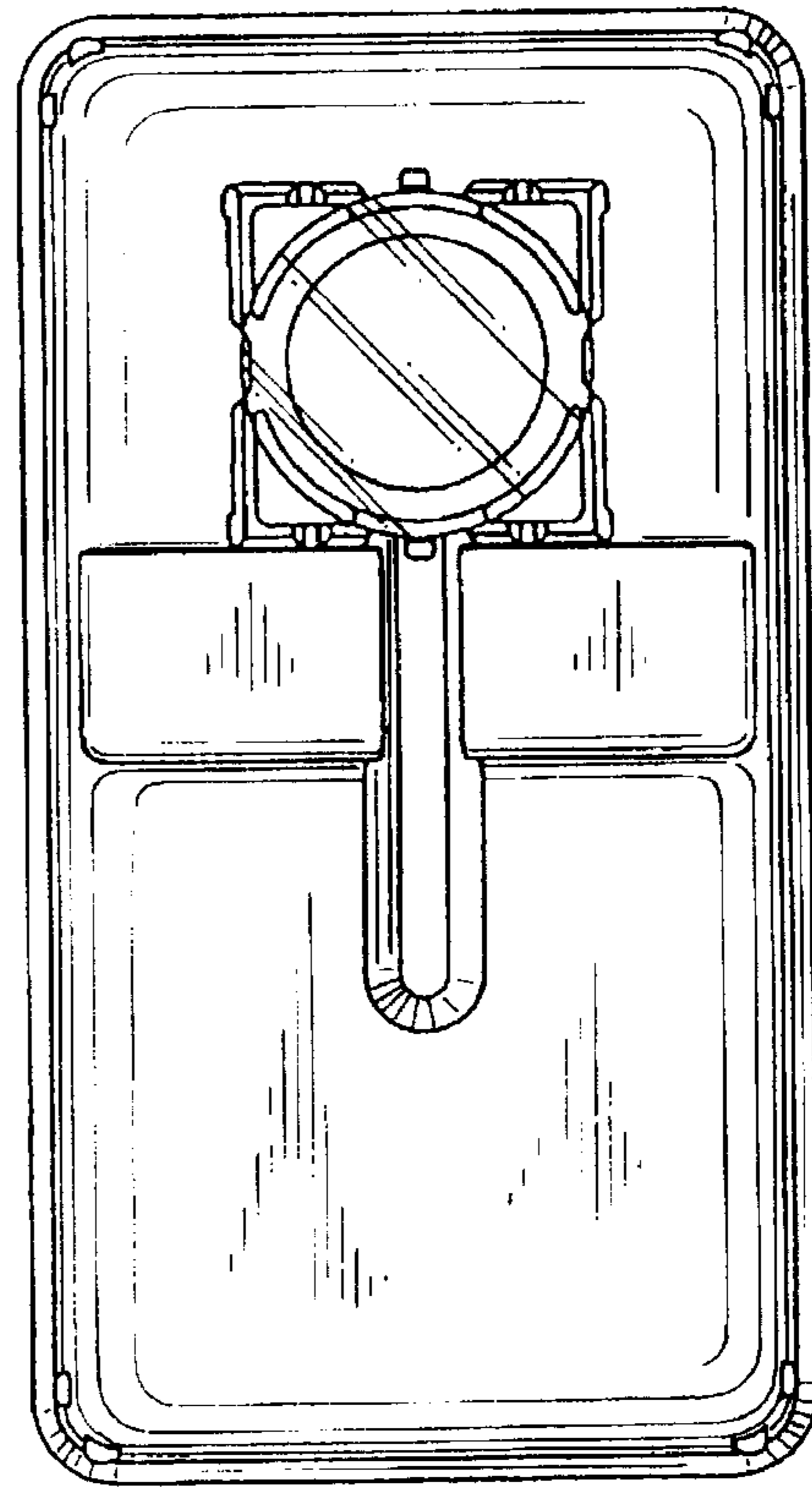
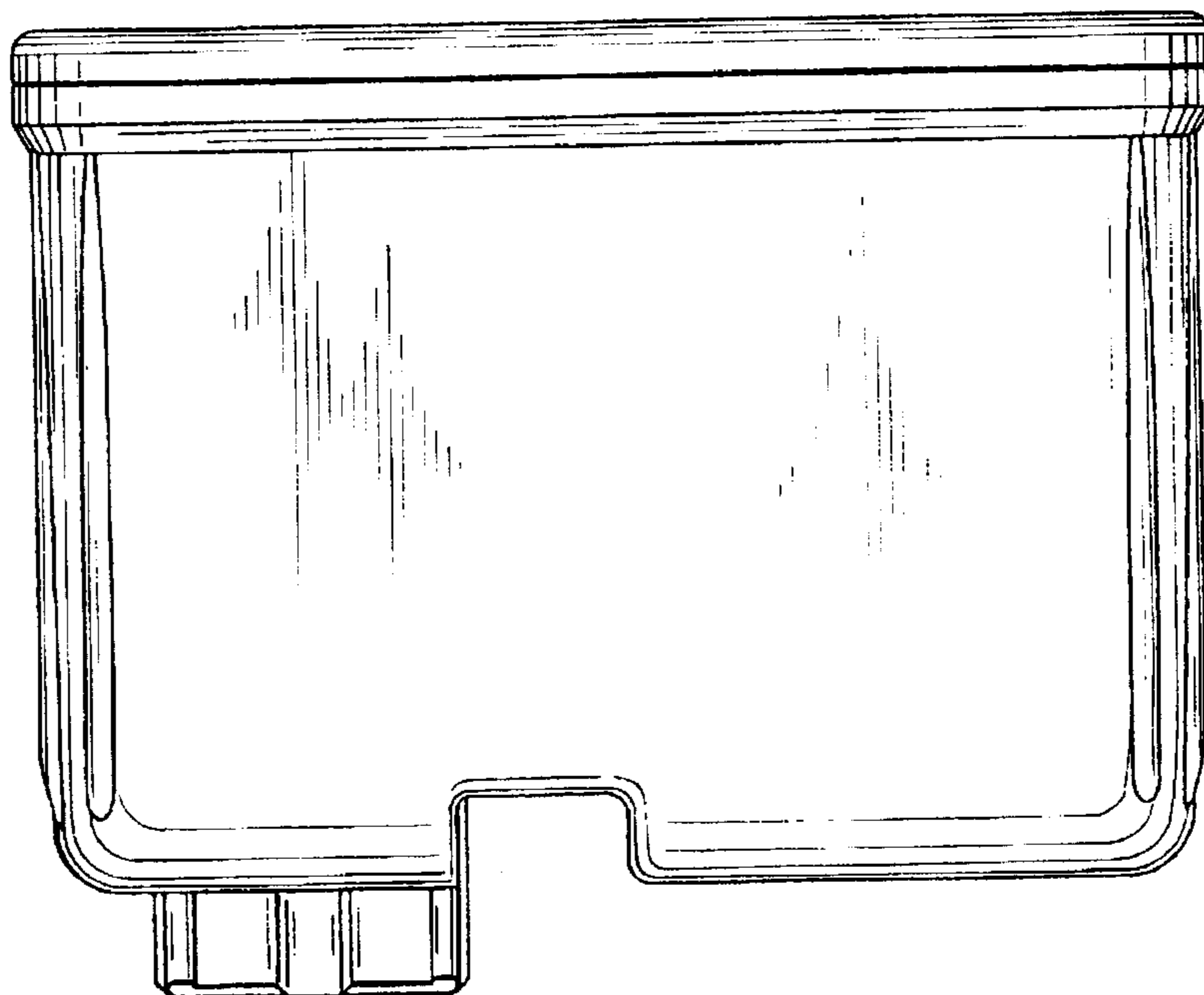


FIG. 6



*FIG. 7*

