

US00D389178S

United States Patent [19]

Chow et al.

[11] **Patent Number: Des. 389,178**

[45] **Date of Patent: **Jan. 13, 1998**

- [54] **THERMAL PRINTER**
- [75] **Inventors: Cary Chow; Lance Hussey, both of Santa Monica; Kurt Botsai, Westchester, all of Calif.**
- [73] **Assignee: Eltron International, Inc., Simi Valley, Calif.**
- [**] **Term: 14 Years**
- [21] **Appl. No.: 48,622**
- [22] **Filed: Jan. 5, 1996**
- [51] **LOC (6) Cl. 18-02**
- [52] **U.S. Cl. D18/50**
- [58] **Field of Search D18/50, 53-55, D18/36-39; 400/613, 613.1-613.4, 691-694, 690.1-690.4; D14/107, 114**

- D. 348,054 6/1994 Minasian et al. D14/107
- D. 359,753 6/1995 Salinas et al. D18/50
- D. 362,240 9/1995 Heidorn et al. D14/107
- D. 375,487 11/1996 Tashiro D14/107
- 4,806,036 2/1989 Ward 400/691

OTHER PUBLICATIONS

Micro Center Sales Paper; p. 21; Epson LQ-570+; Printer, Aug. 1994.

Primary Examiner—Cathy Anne MacCormac
Attorney, Agent, or Firm—Freilich, Hornbaker & Rosen

[57] CLAIM

The ornamental design for a thermal printer, as shown and described.

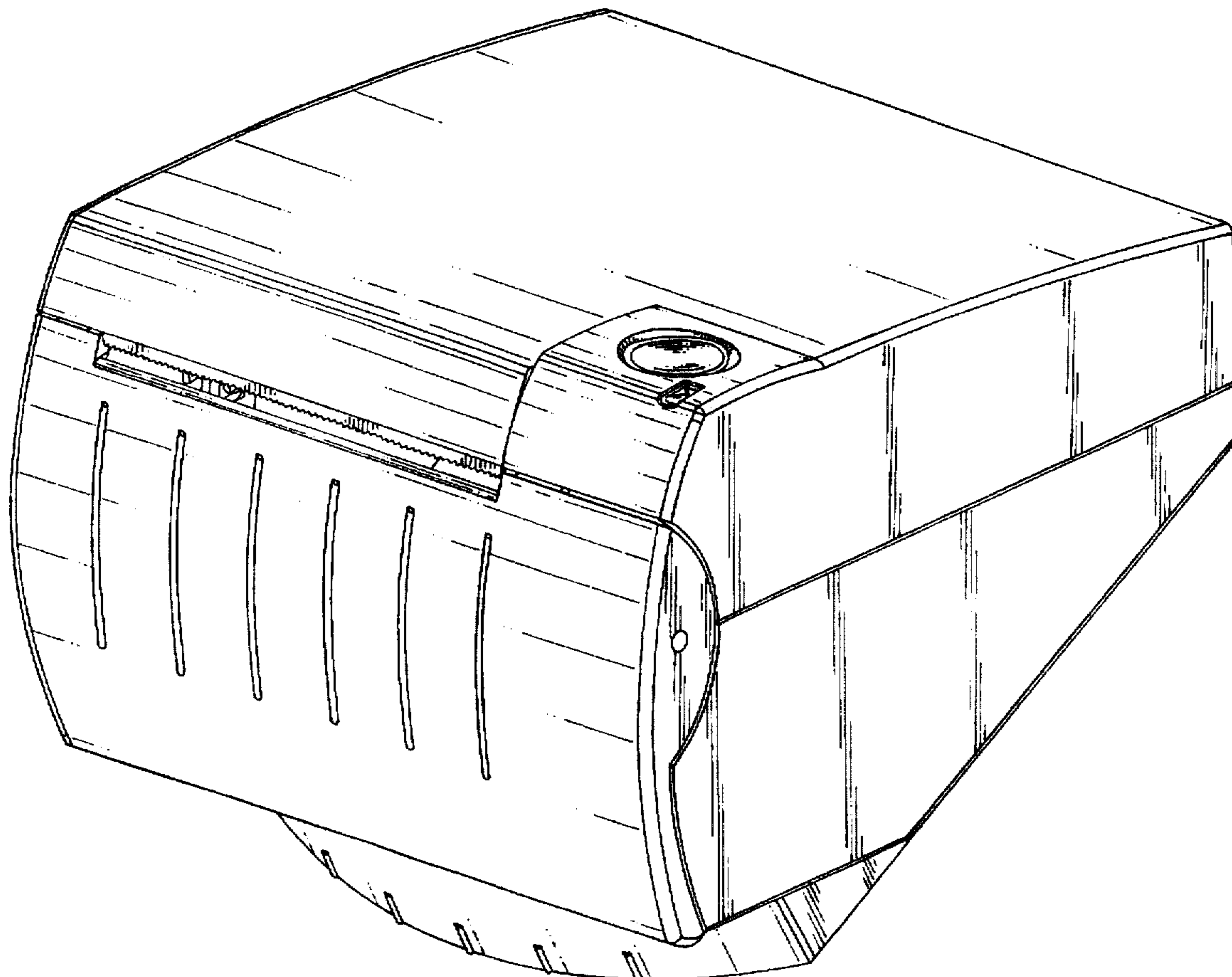
DESCRIPTION

FIG. 1 is a perspective view of a thermal printer showing our new design;
 FIG. 2 is a front plan view of the printer of FIG. 1;
 FIG. 3 is a rear plan view of the printer of FIG. 1;
 FIG. 4 is a bottom plan view of the printer of FIG. 1;
 FIG. 5 is a top plan view of the printer of FIG. 1;
 FIG. 6 is a left side plan view of the printer of FIG. 1; and,
 FIG. 7 is a right side plan view of the printer of FIG. 1.

1 Claim, 7 Drawing Sheets

[56] **References Cited**
U.S. PATENT DOCUMENTS

- D. 210,218 2/1968 Williams D14/107
- D. 293,577 1/1988 Gauffin D18/54
- D. 295,186 4/1988 Hadtke D18/54
- D. 318,066 7/1991 Moro D18/54
- D. 327,289 6/1992 Ivester D18/55
- D. 333,316 2/1993 Ishizawa D18/55



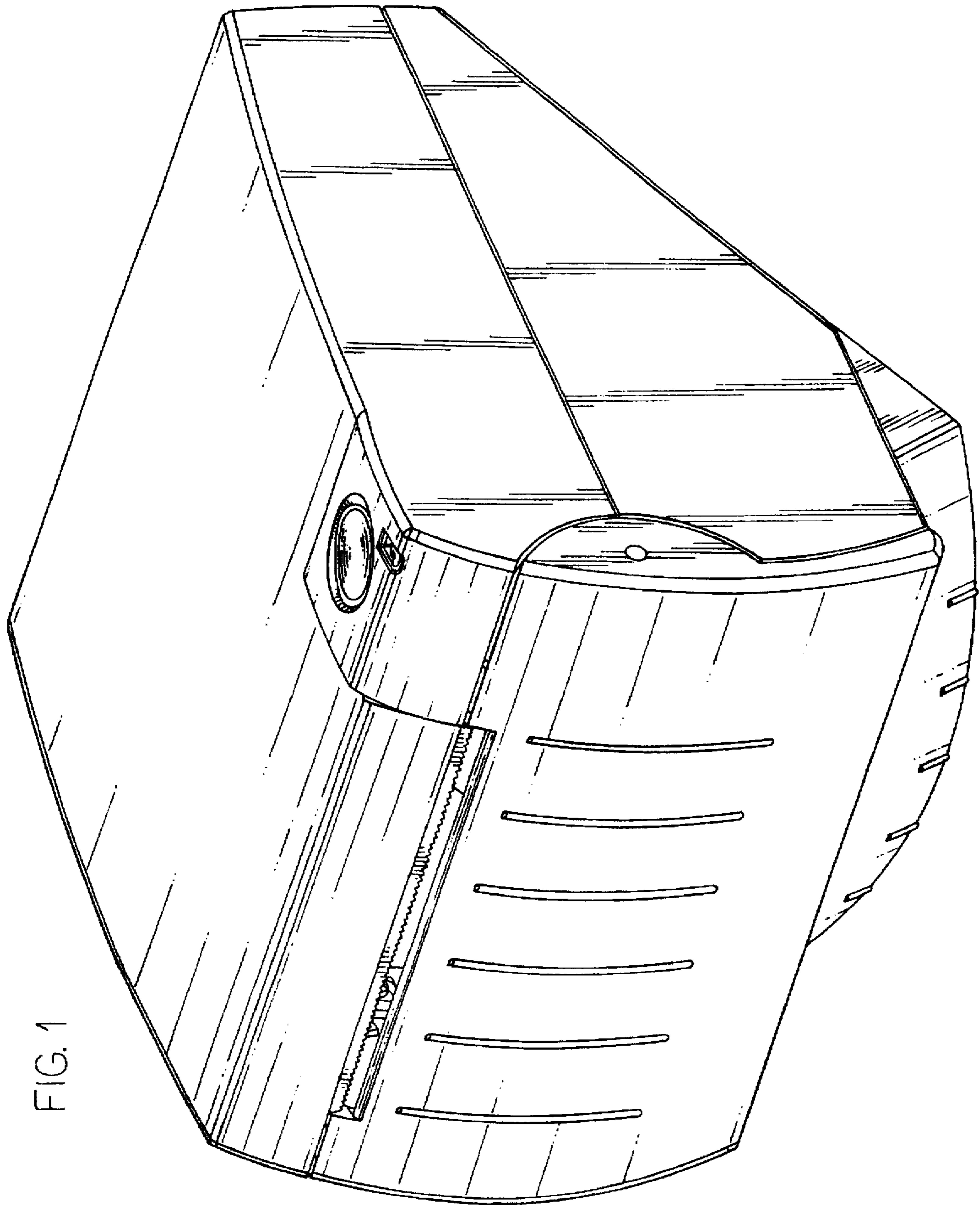


FIG. 1

FIG. 2

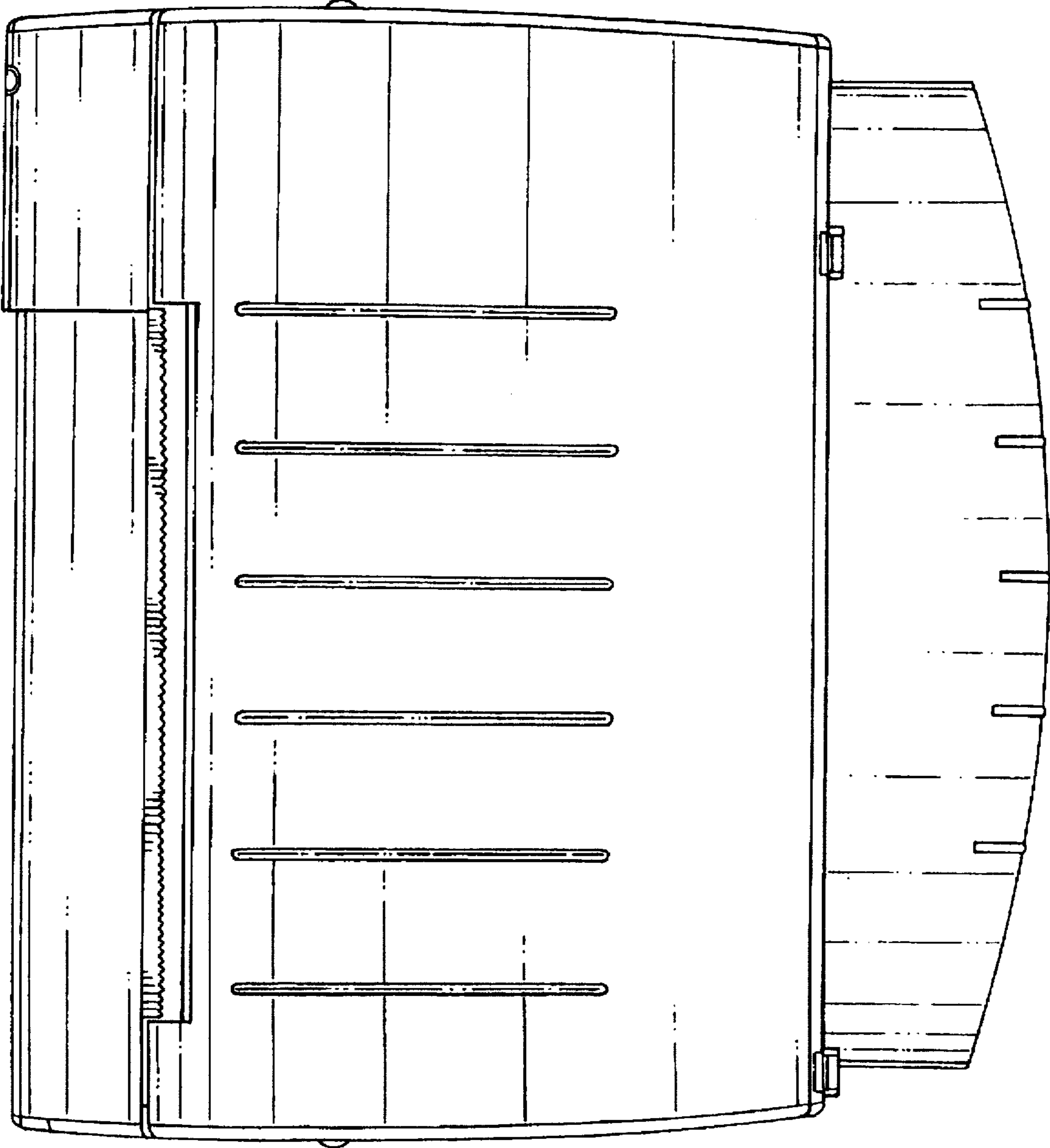


FIG. 3

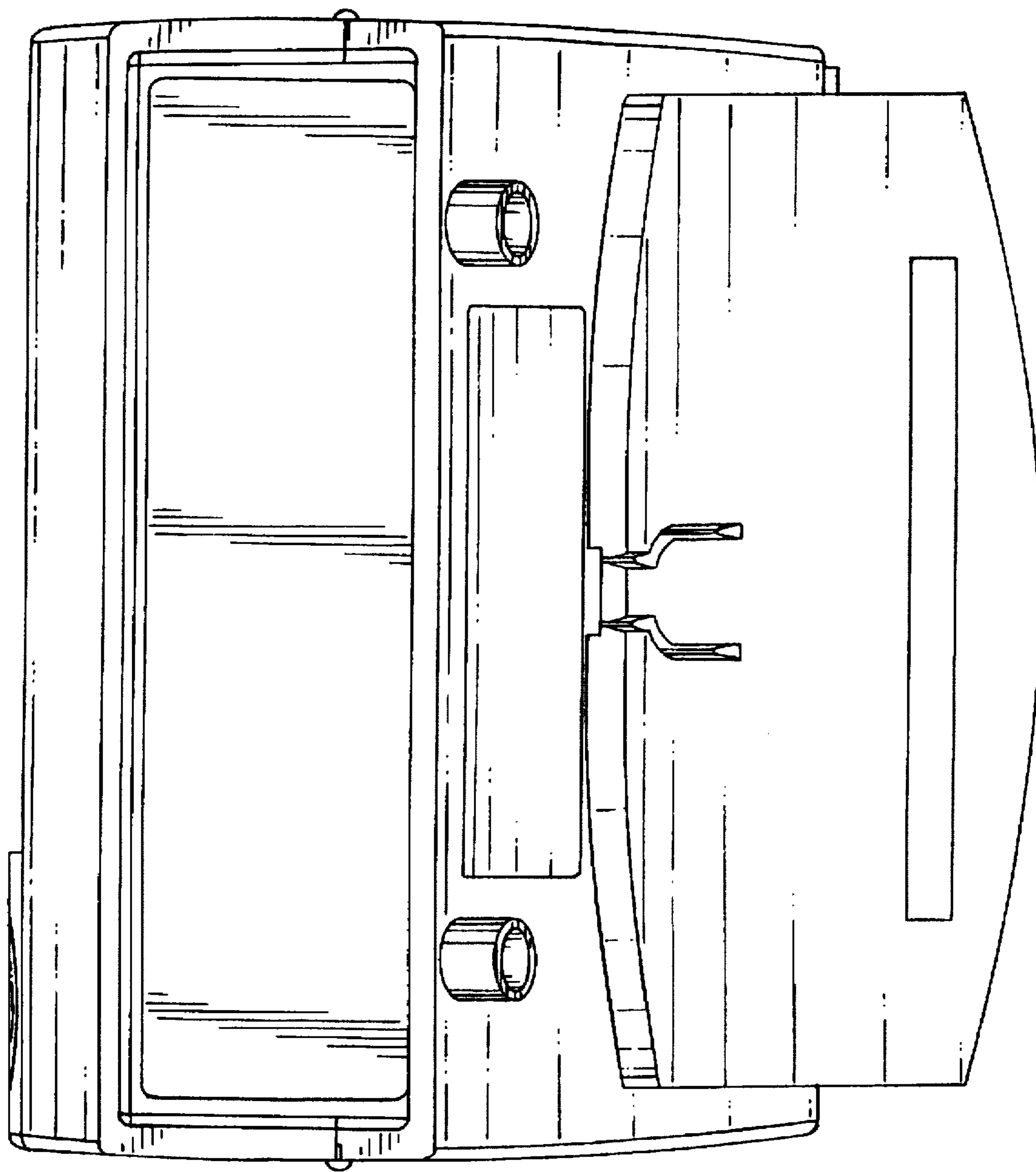


FIG. 4

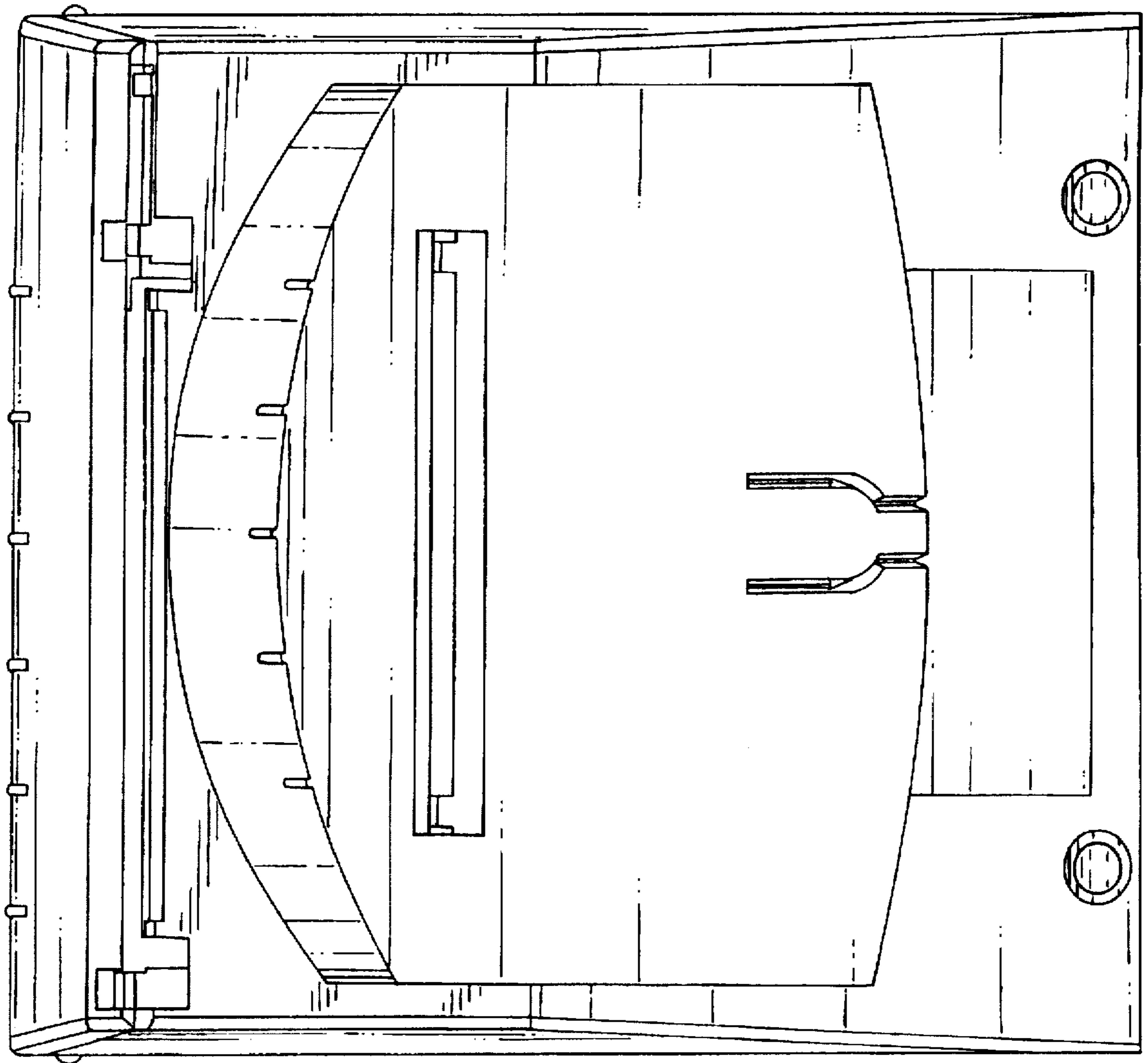


FIG. 5

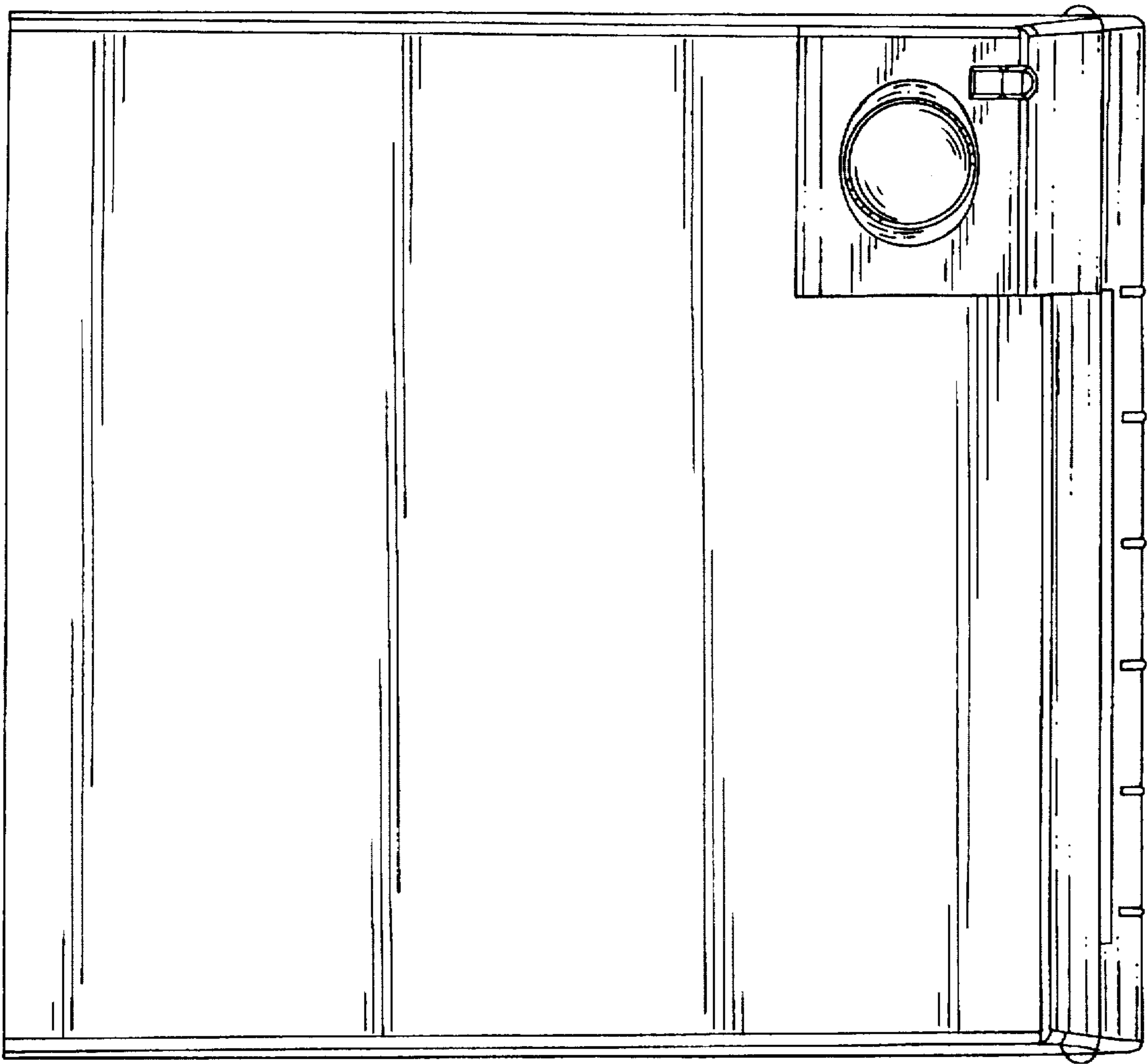
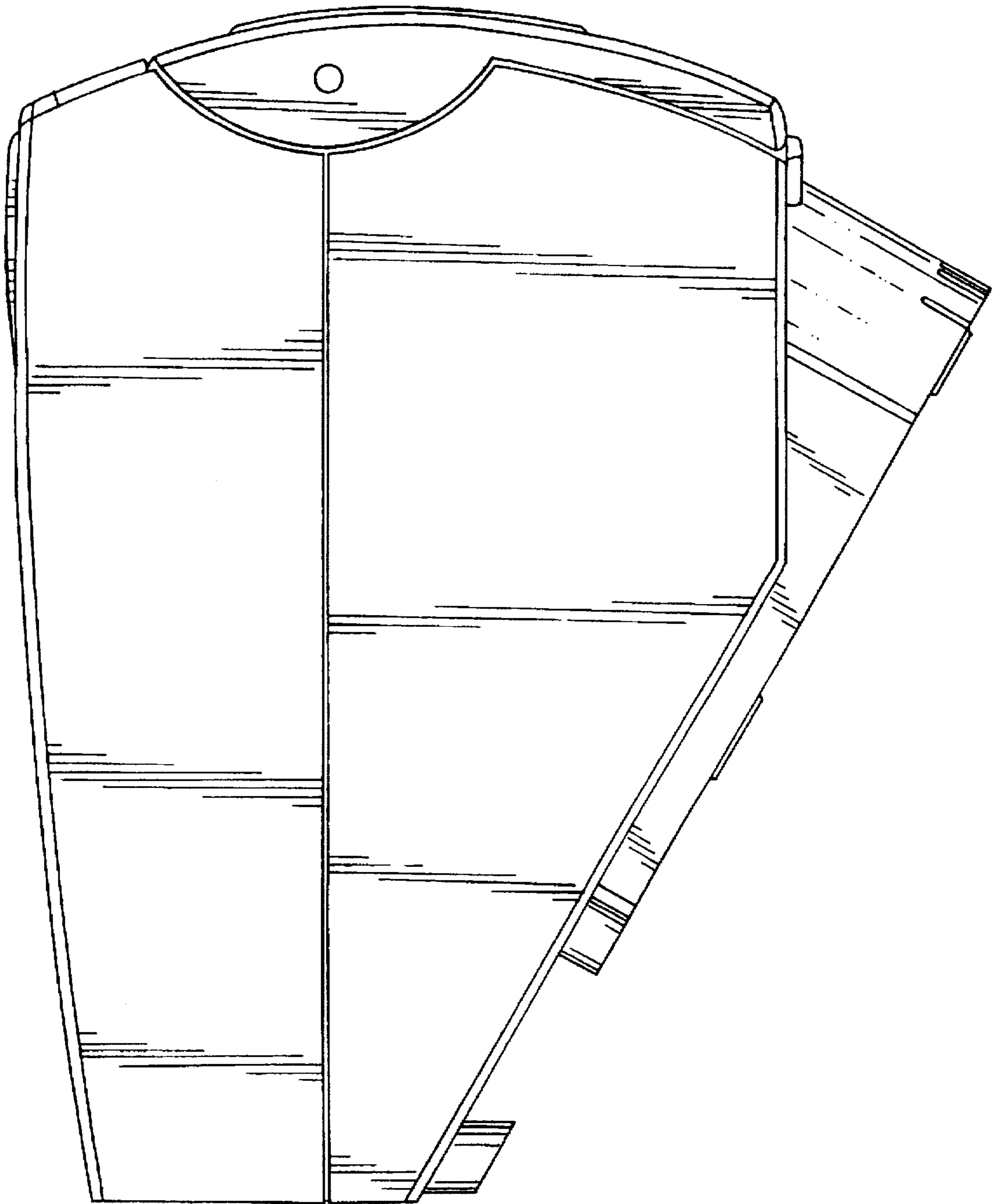


FIG. 6



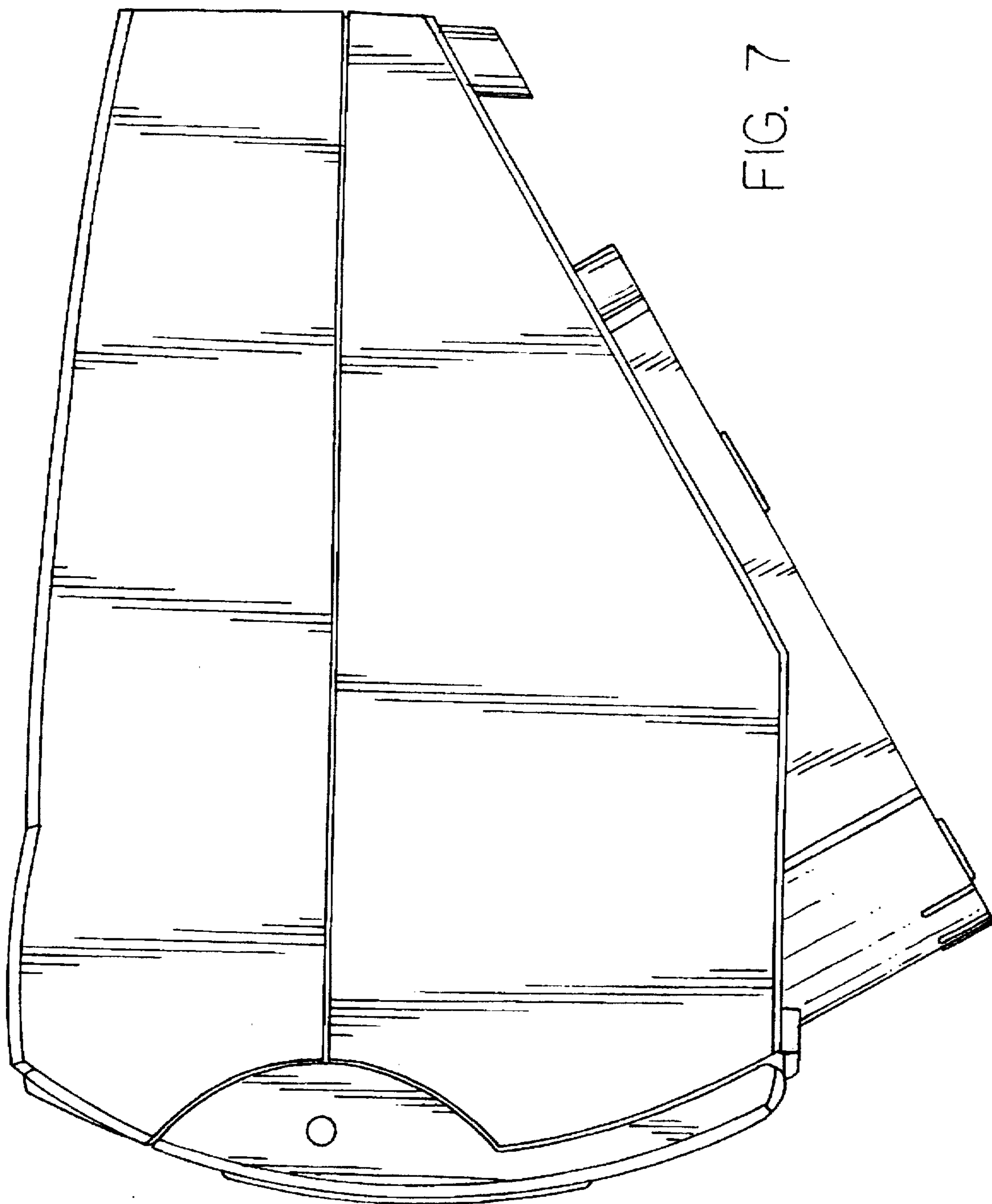


FIG. 7