



US00D389177S

United States Patent [19]

[11] Patent Number: **Des. 389,177**

Ban et al.

[45] Date of Patent: ****Jan. 13, 1998**

[54] **TONER BOTTLE FOR PHOTOCOPIER**

D. 319,658	9/1991	Yamamoto et al.	D18/43
D. 329,868	9/1992	Sakaguchi et al.	D18/43
D. 356,814	3/1995	Suzuki et al.	D18/43
5,089,854	2/1992	Kaieda et al.	D18/43 X

[75] Inventors: **Yutaka Ban; Hiroaki Ohashi**, both of Tokyo, Japan

[73] Assignee: **Canon Kabushiki Kaisha**, Tokyo, Japan

Primary Examiner—Caron D. Veynar
Attorney, Agent, or Firm—Fitzpatrick, Cella, Harper & Scinto

[**] Term: **14 Years**

[21] Appl. No.: **56,052**

[22] Filed: **Jun. 20, 1996**

[30] **Foreign Application Priority Data**

Dec. 22, 1995 [JP] Japan 7-38851

[51] LOC (6) CL. **16-03**

[52] U.S. Cl. **D18/43**

[58] **Field of Search** D9/500, 503, 545, D9/549, 552, 555, 558, 565; D18/40, 43, 22, 56; 118/653, 657; 141/1; 206/216, 316, 446, 461, 467; 222/DIG. 1, 166, 240, 325, 541; 355/200, 245, 260, 298

[56] **References Cited**

U.S. PATENT DOCUMENTS

D. 310,683 9/1990 Aoyama D18/43

[57] **CLAIM**

The ornamental design for a toner bottle for photocopier, as shown and described.

DESCRIPTION

FIG. 1 is a front view of a toner bottle for photocopier showing our new design;

FIG. 2 is a rear view thereof;

FIG. 3 is a top plan view thereof;

FIG. 4 is a bottom plan view thereof;

FIG. 5 is a left side view thereof;

FIG. 6 is a right side view thereof; and,

FIG. 7 is a perspective view thereof.

1 Claim, 3 Drawing Sheets

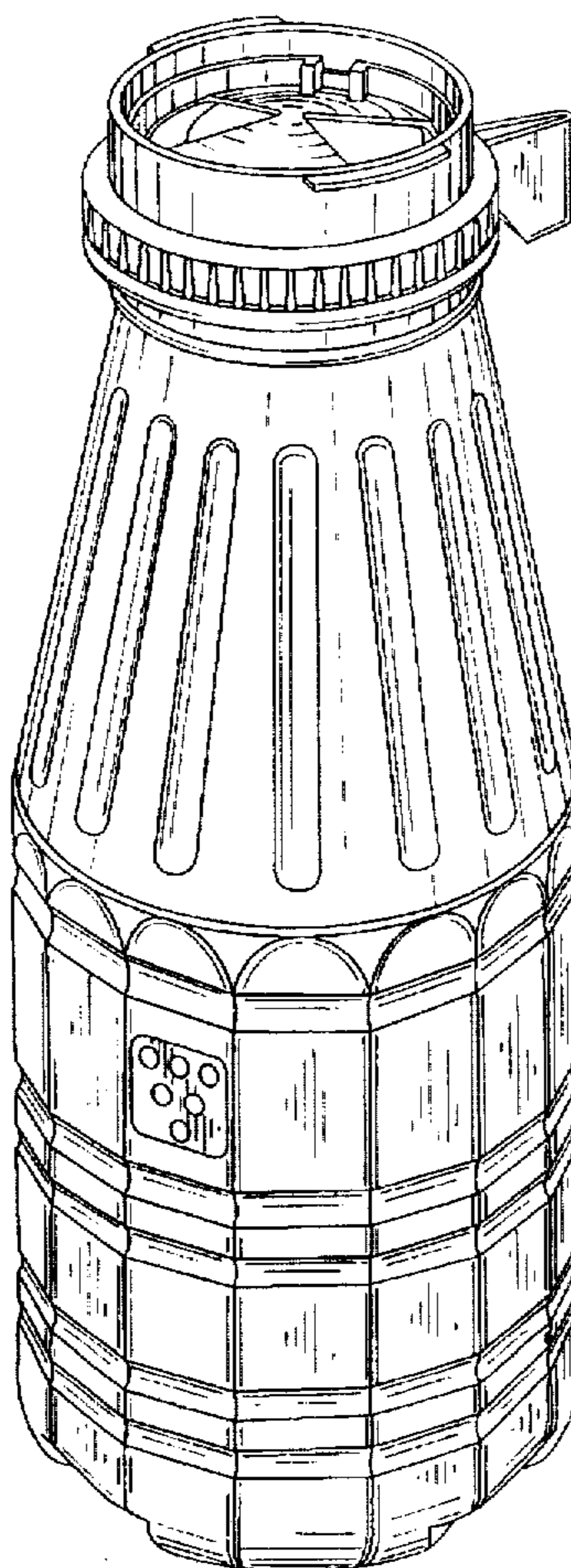


FIG. 1

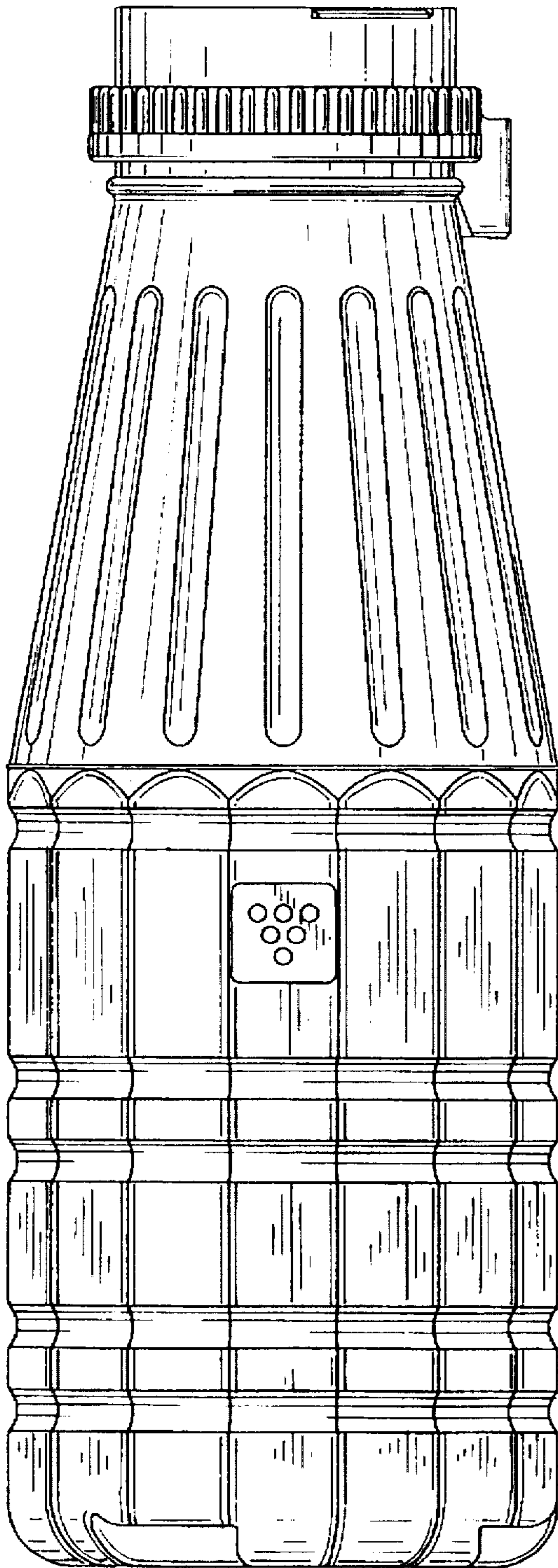


FIG. 2

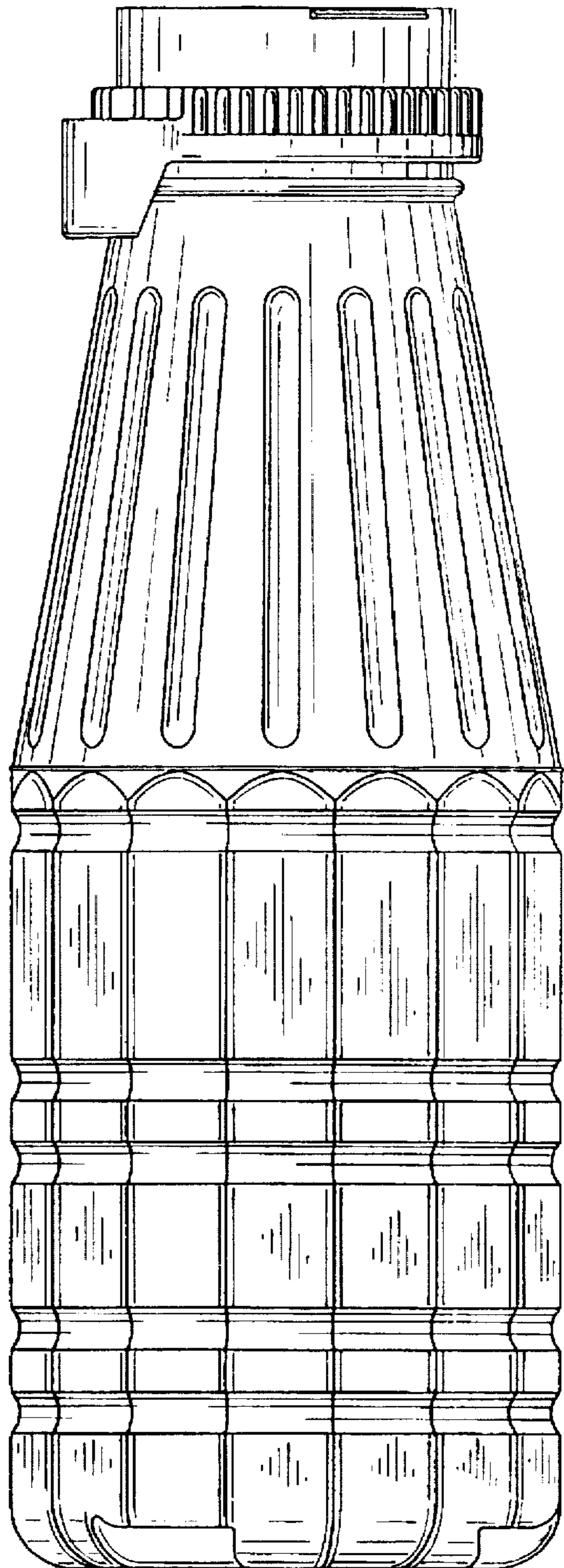


FIG. 3

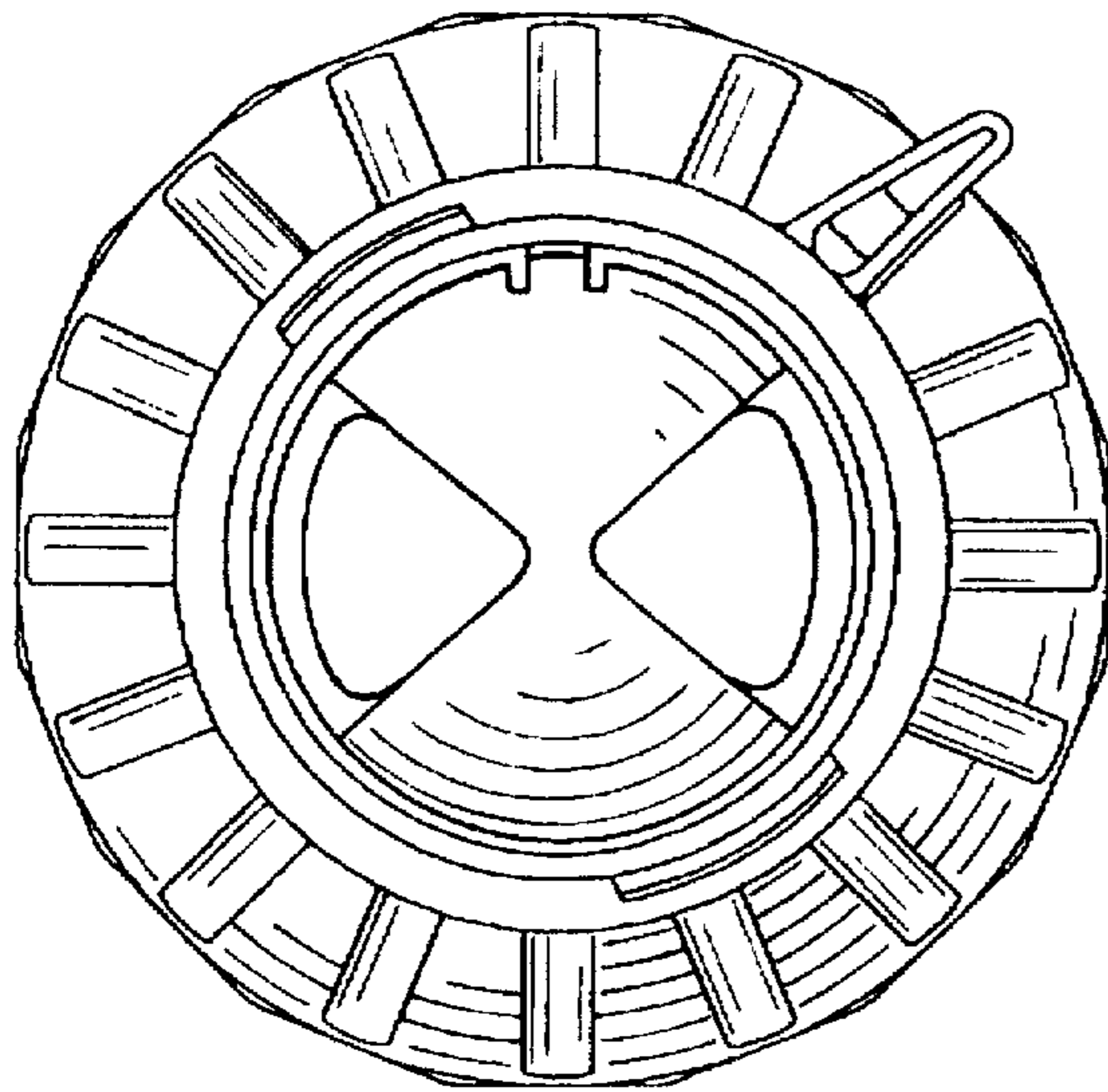


FIG. 5

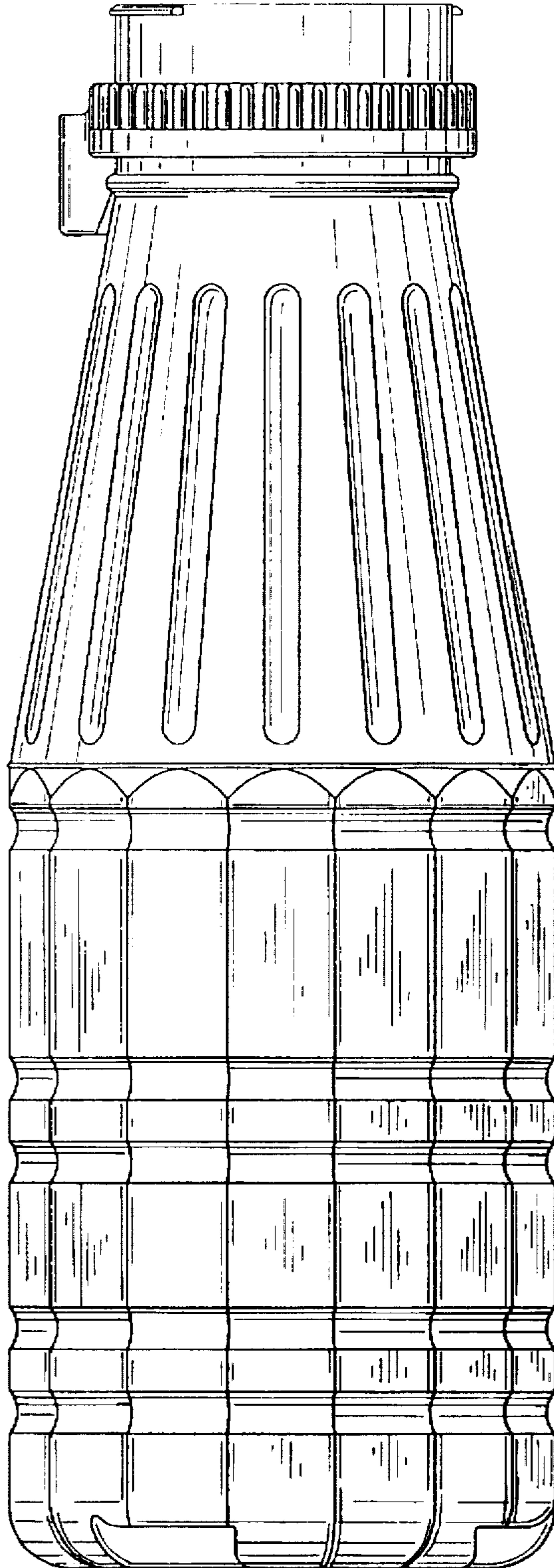


FIG. 4

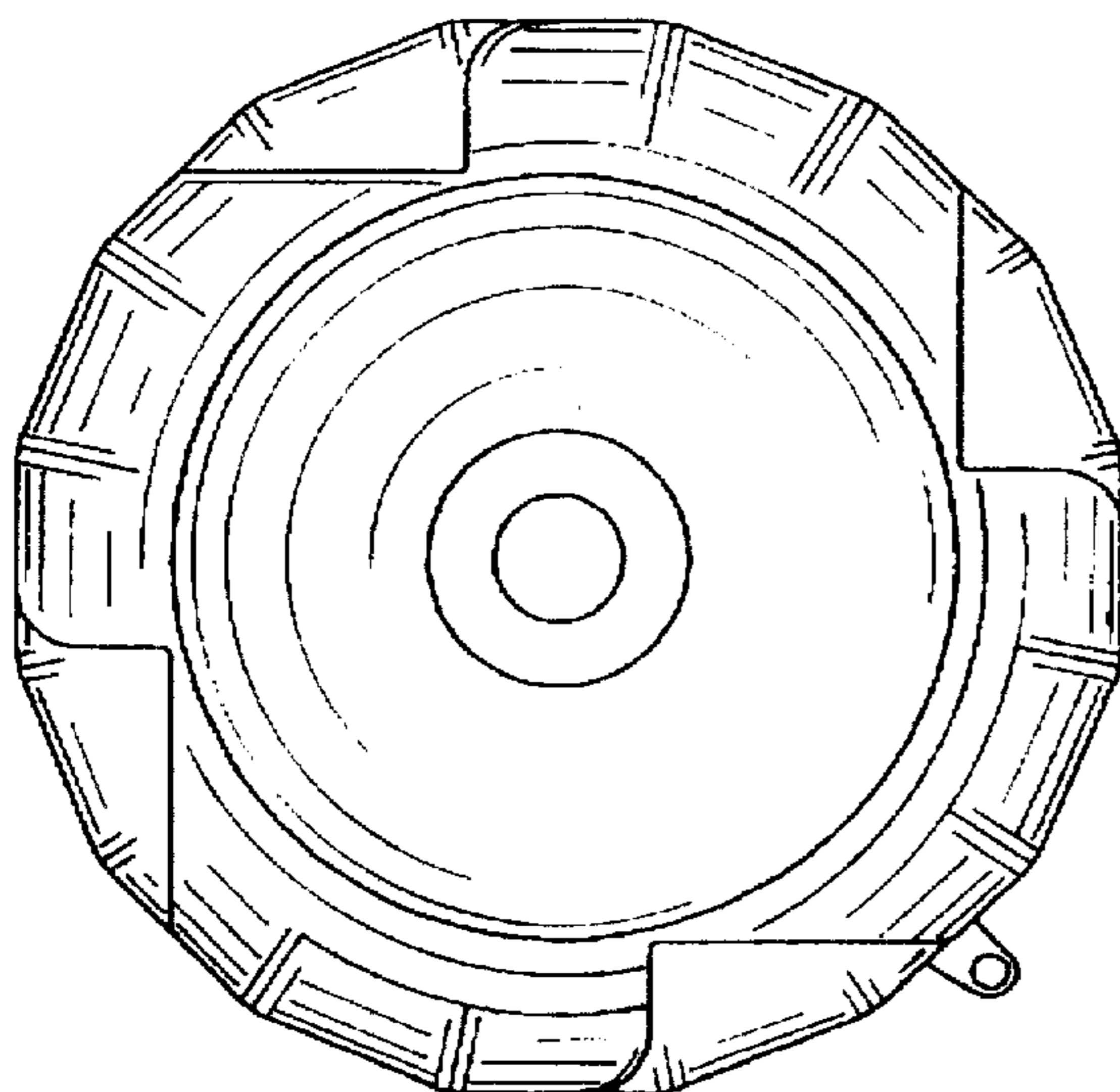


FIG. 6

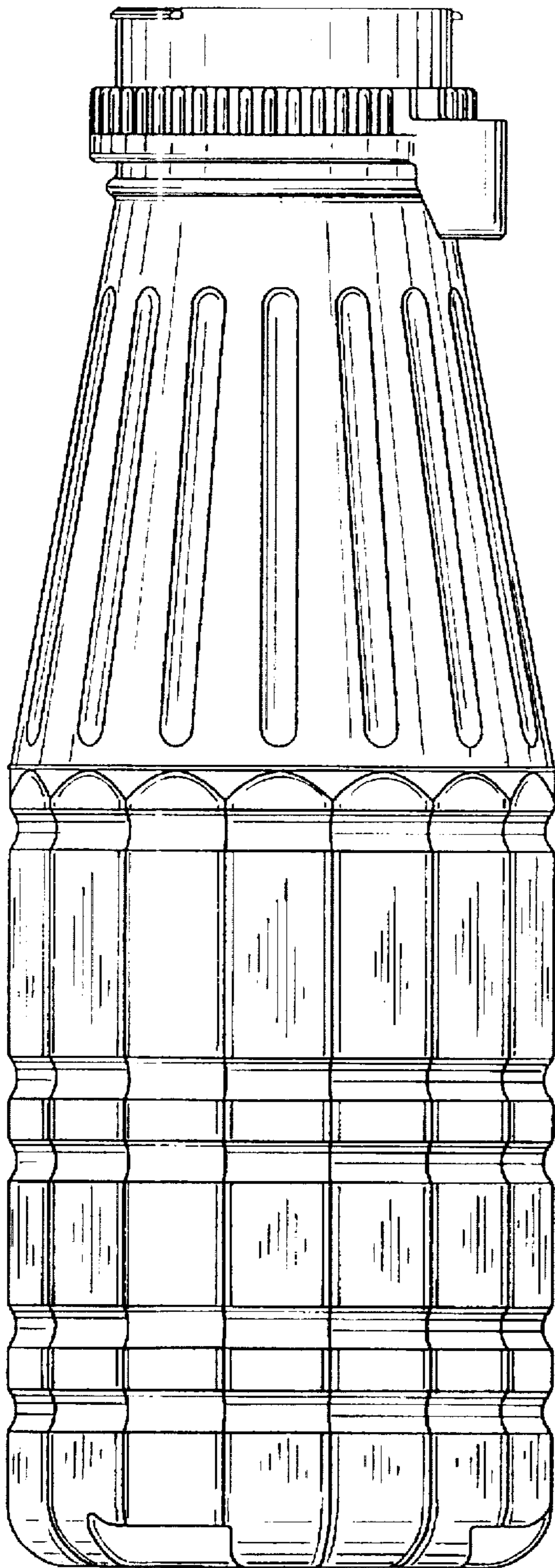


FIG. 7

