

US00D389174S

United States Patent [19]
Yasoshima

[11] **Patent Number: Des. 389,174**
[45] **Date of Patent: ***Jan. 13, 1998**

[54] **STAMP PAD CONTAINER**
[75] **Inventor: Ryo Yasoshima, Tokyo, Japan**
[73] **Assignee: Tsukineko, Inc., Redmond, Wash.**
[*] **Notice: The portion of the term of this patent subsequent to Aug. 19, 2011, has been disclaimed.**
[**] **Term: 14 Years**
[21] **Appl. No.: 59,655**
[22] **Filed: Aug. 30, 1996**

1,598,538	8/1926	Mann	118/269
1,796,137	3/1931	Baumgarten	118/264
2,117,470	5/1938	Zareko	118/264
2,290,488	7/1942	Munson	118/264
2,374,198	4/1945	Harris .	
2,422,814	6/1947	Alexander .	
2,723,476	11/1955	Lyon .	
3,326,180	6/1967	Lofgren .	
3,590,734	7/1971	Carter	101/333
4,029,011	6/1977	Kurner .	
4,986,175	1/1991	Boehringer et al.	101/125
5,357,861	10/1994	d'Arbelles et al.	D18/15 X
5,601,644	2/1997	Yasoshima	118/46

Related U.S. Application Data

[63] **Continuation-in-part of Ser. No. 45,055, Oct. 6, 1995, which is a continuation-in-part of Ser. No. 472,258, Jun. 7, 1995, which is a continuation-in-part of Ser. No. 446,205, May 19, 1995, Pat. No. 5,601,644.**

[51] **LOC (6) Cl. 19-02**
[52] **U.S. Cl. D18/17; D18/15; D9/432**
[58] **Field of Search D28/78-80, 83; D18/14, 15, 16, 17, 18, 2; D19/65, 70, 75, 95, 99, 100; D9/432; 101/101, 114, 327, 333, 334, 335, 125, 405, 406; 118/317, 46, 264, 270, 248, 258, 268, 269**

FOREIGN PATENT DOCUMENTS

546609	9/1957	Canada	101/333
167 380 A	1/1986	European Pat. Off. .	
2675740 A1	10/1992	France .	
662905	6/1938	Germany .	
4-312881 A	11/1992	Japan .	
4940	4/1896	United Kingdom	118/264
2045687	11/1980	United Kingdom .	

OTHER PUBLICATIONS

Rubber stamp catalog, Clearsnap, Inc., 1990.
Tsukineko, Color Palette Pigment Stamp Pad Catalog, Japanese language document. Date unknown.
Tsukineko, Japanese Catalog, 1993.
Clearsnap, Color Box Pigment Stamp Pads, See circled stamp pad, top left, 1993.
Ink-A-Dink-A-Do, *4 Inks in Ones*, Stamp Pad. Date unknown.

[56] **References Cited**

U.S. PATENT DOCUMENTS

D. 4,423	10/1870	Kilburn	D9/432 X
D. 163,496	5/1951	Van Prooyen, Jr.	D18/17
D. 184,720	3/1959	Fleming .	
D. 247,063	1/1978	Funahashi	D64/10
D. 252,935	9/1979	Henkels	D19/77
D. 330,907	11/1992	Burke	D18/2 X
D. 331,418	12/1992	Winston	D18/15
D. 345,826	4/1994	Byars et al.	D28/83
D. 347,089	5/1994	Byars et al.	D28/83
D. 372,371	8/1996	Yasoshima	D18/17
D. 372,933	8/1996	Winston	D18/17
602,061	4/1898	Echelberger	118/264
848,063	3/1907	Sommer	118/264
1,173,092	2/1916	Bickerton	118/270
1,463,718	7/1923	Munson	118/264

Primary Examiner—Martie Thompson
Attorney, Agent, or Firm—Seed and Berry LLP

[57] **CLAIM**

The ornamental design for the stamp pad container, as shown and described.

DESCRIPTION

FIG. 1 is an isometric view of a stamp pad container showing my new design;
FIG. 2 is a top-plan view thereof;
FIG. 3 is a first end-view thereof;
FIG. 4 is a second end-view thereof;

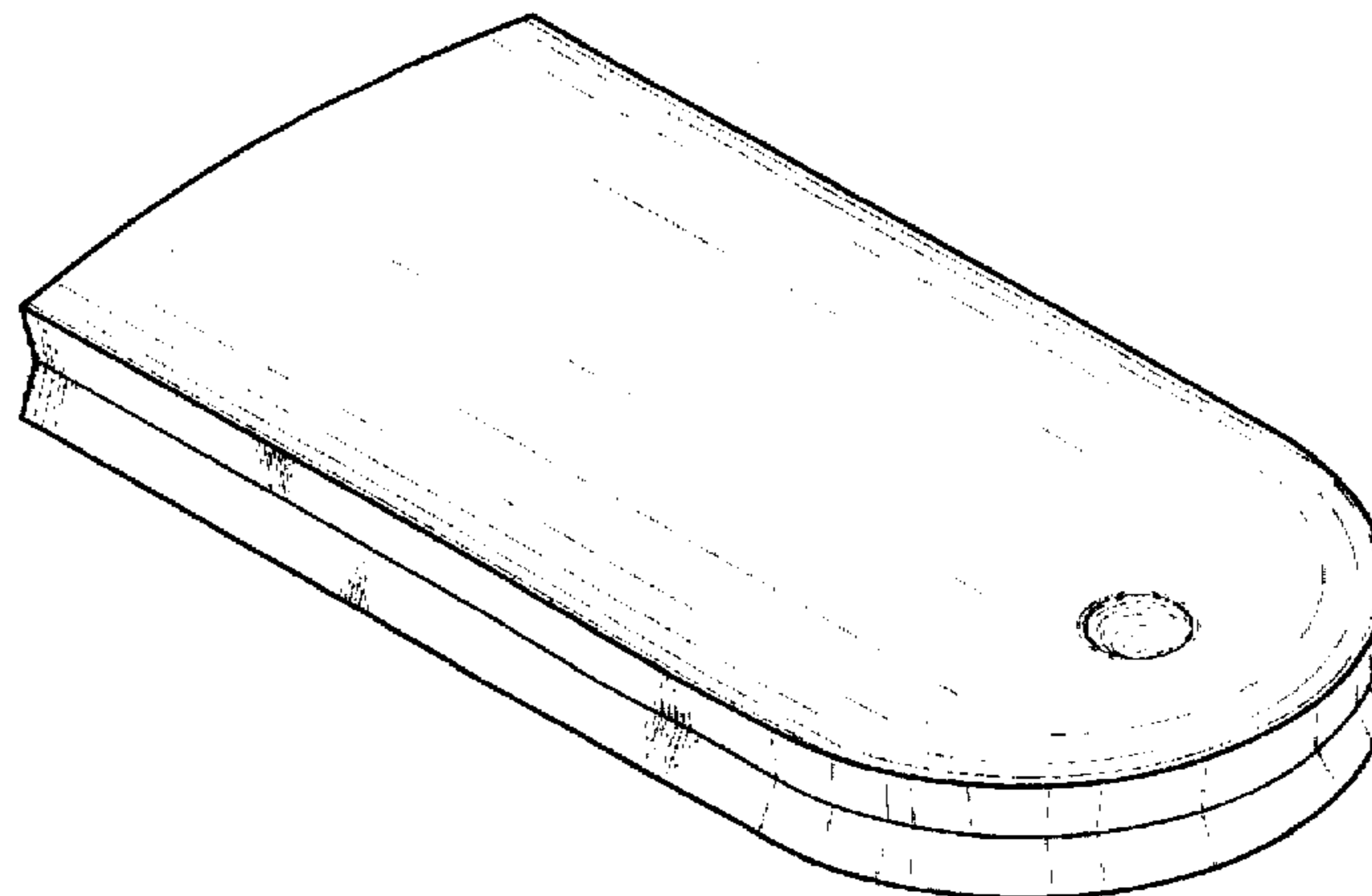


FIG. 5 is a first side view thereof; the opposite side is essentially identical to the side shown, except that the variations between one end and the other end of the design would be located in the opposite direction;

FIG. 6 is a bottom-plan view thereof; the broken line showing of a support structure is for illustrative purposes only and forms no part of the claimed design;

FIG. 7 is an isometric view of the bottom thereof; the broken line showing of a support structure is for illustrative purposes only and forms no part of the claimed design;

FIG. 8 is an isometric view of another embodiment of the present invention, wherein the lid is transparent; all other

views are identical to FIGS. 1-7, except for the transparency of the lid; the broken line showing of a pad is for illustrative purposes only and forms no part of the claimed design; and,

FIG. 9 is an isometric view of another embodiment of the present invention, wherein the depression located toward one end of the lid is deleted; all other views are identical to FIGS. 1-7, except for the deletion of the depression in the lid.

1 Claim, 3 Drawing Sheets

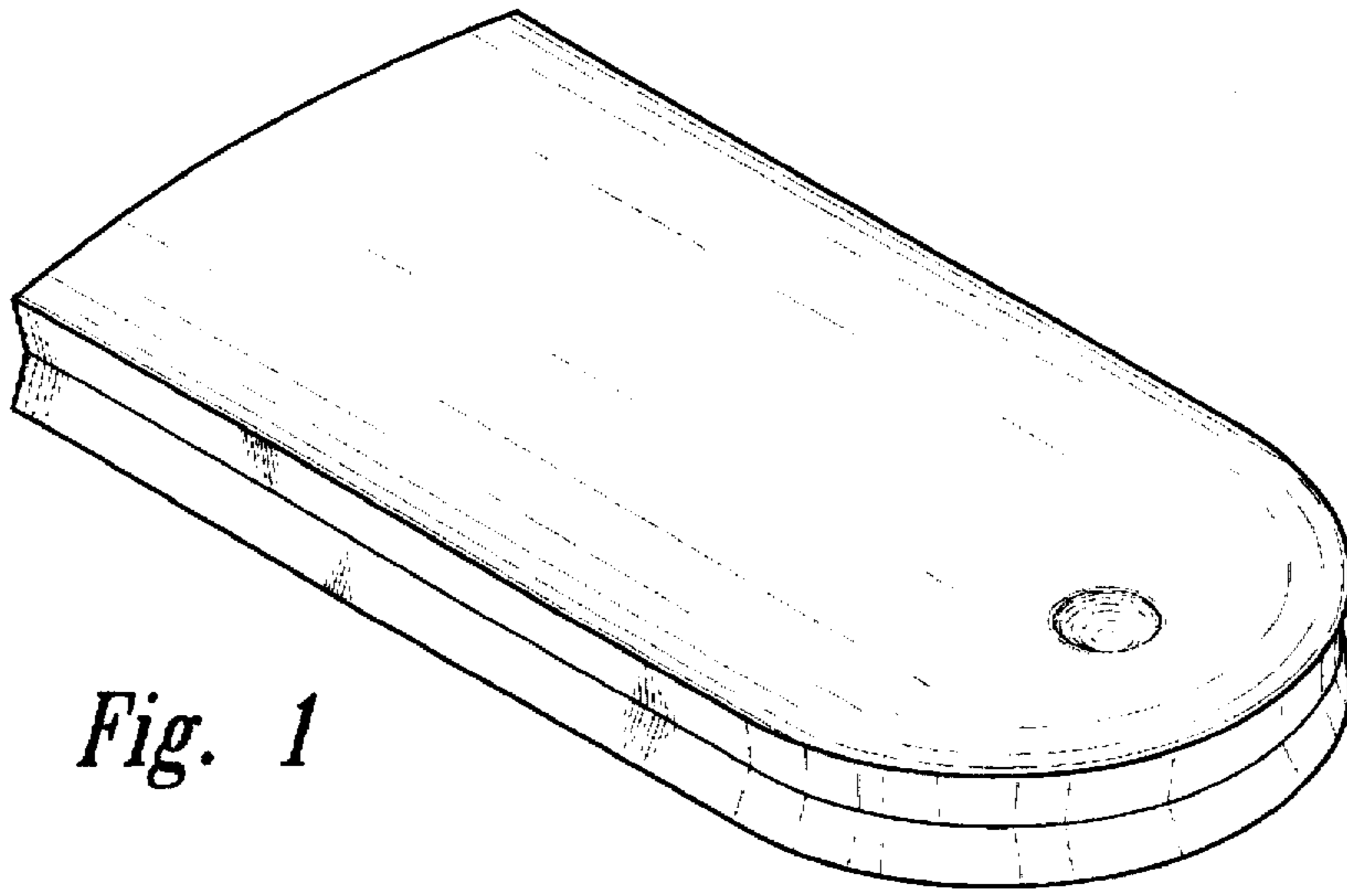


Fig. 1

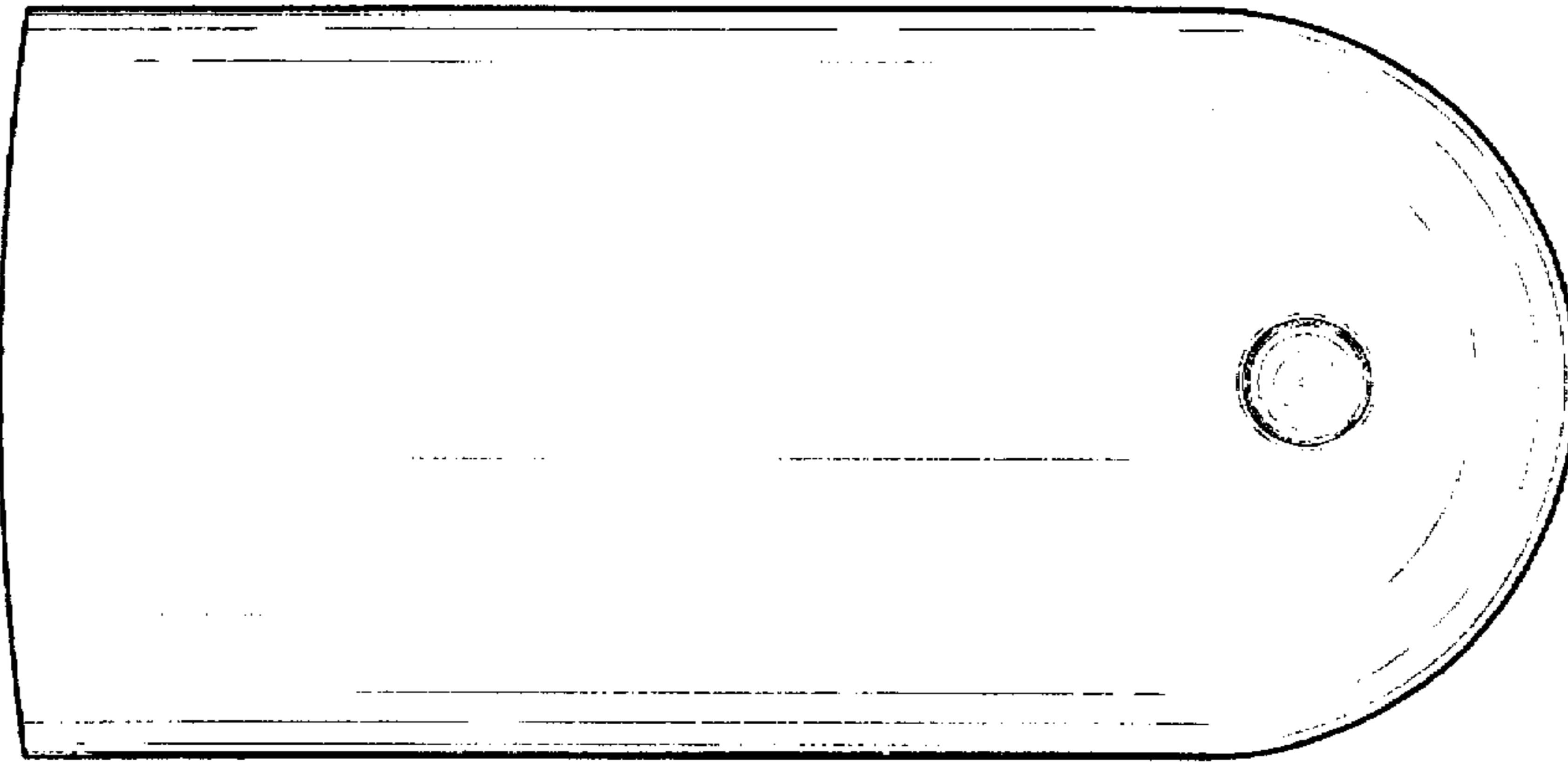


Fig. 2



Fig. 3

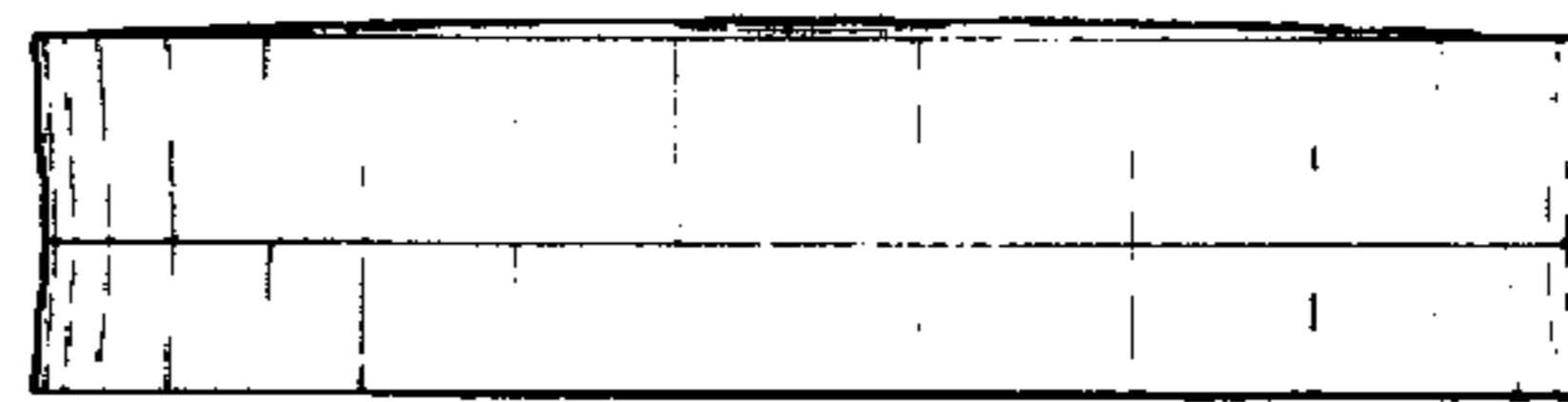


Fig. 4

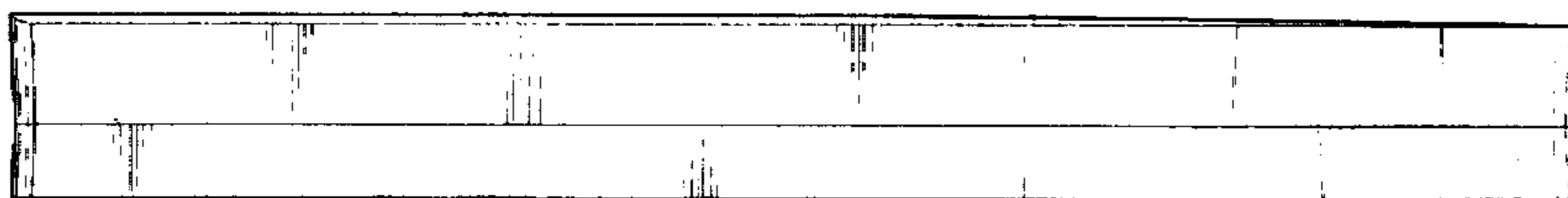


Fig. 5

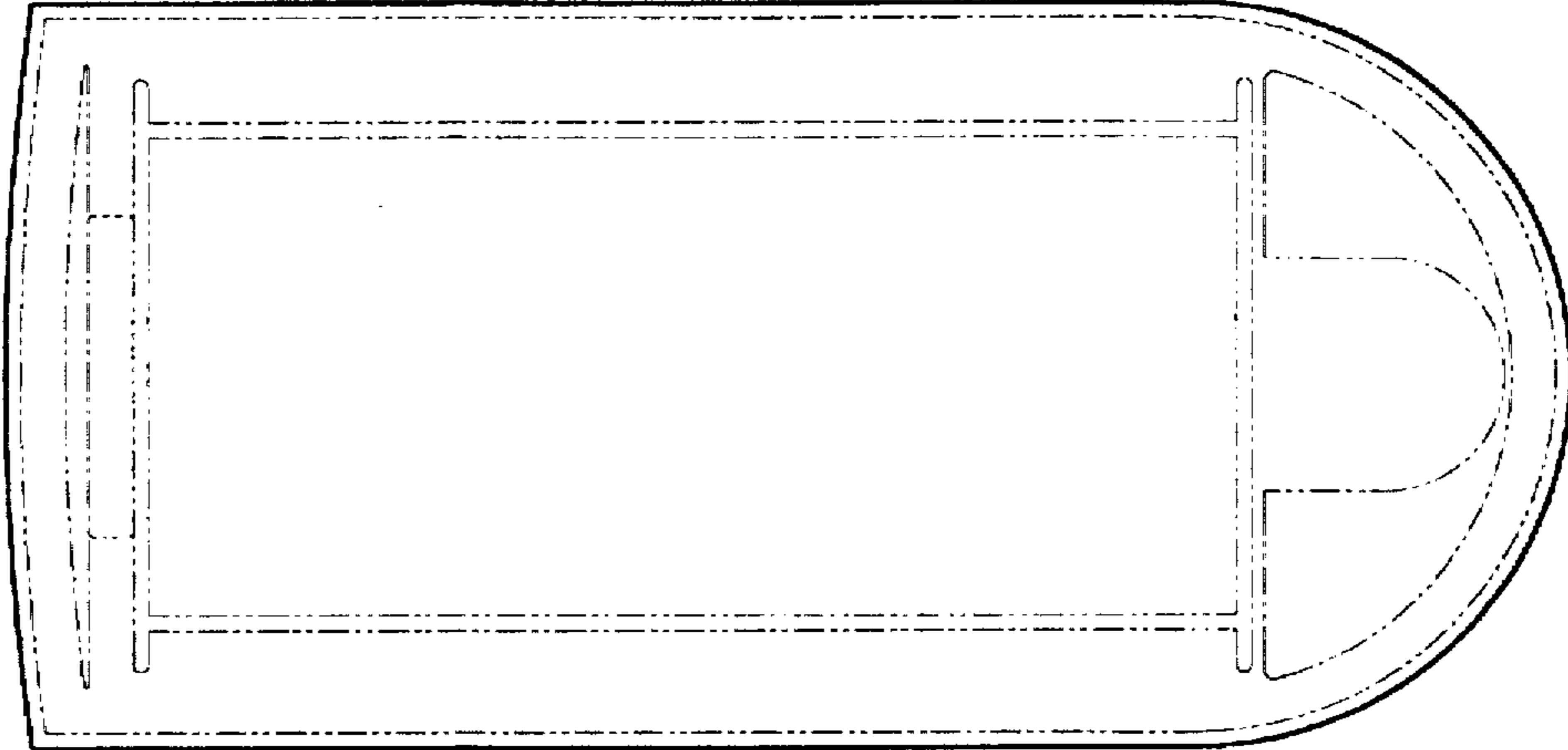


Fig. 6

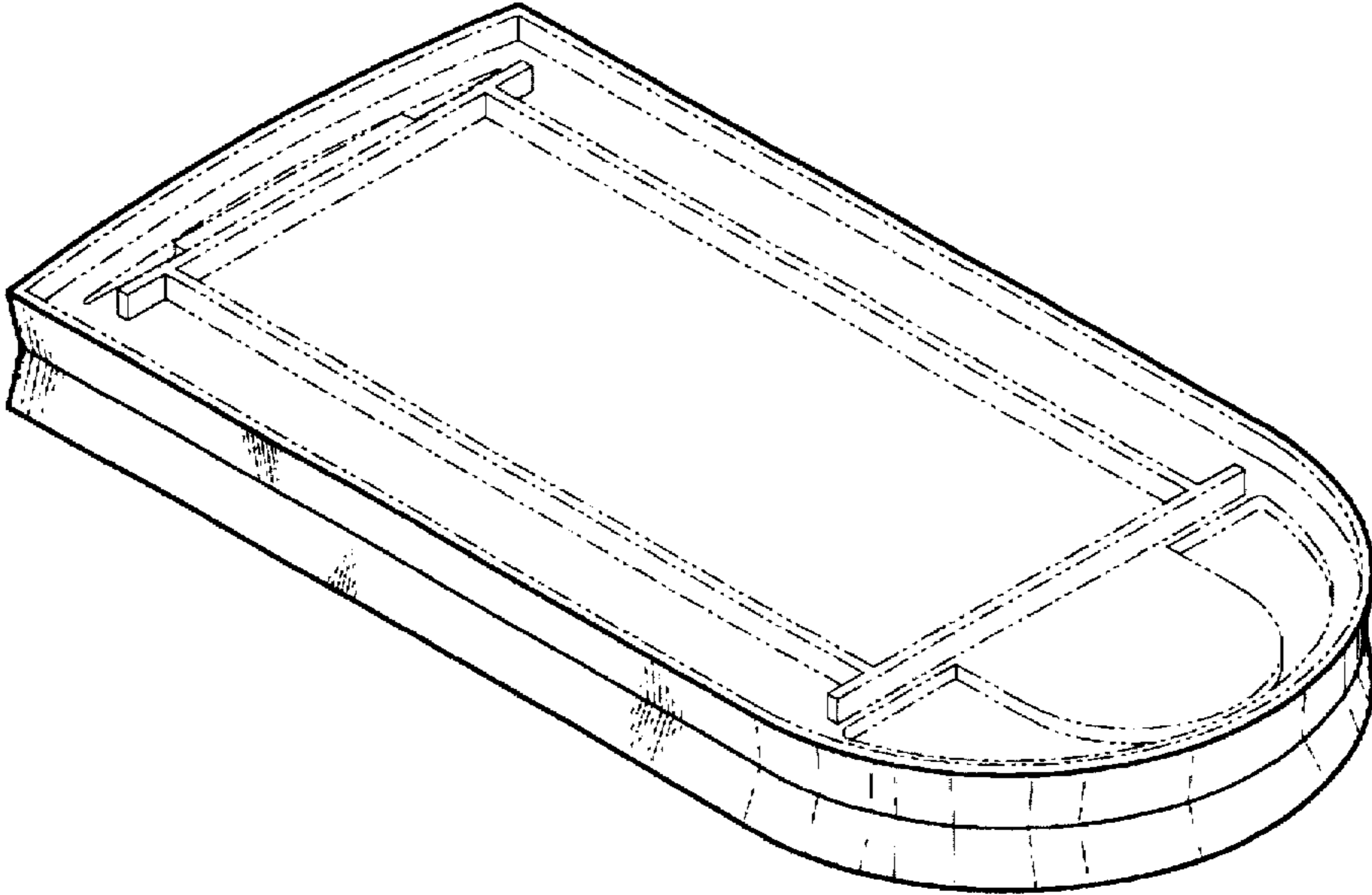


Fig. 7

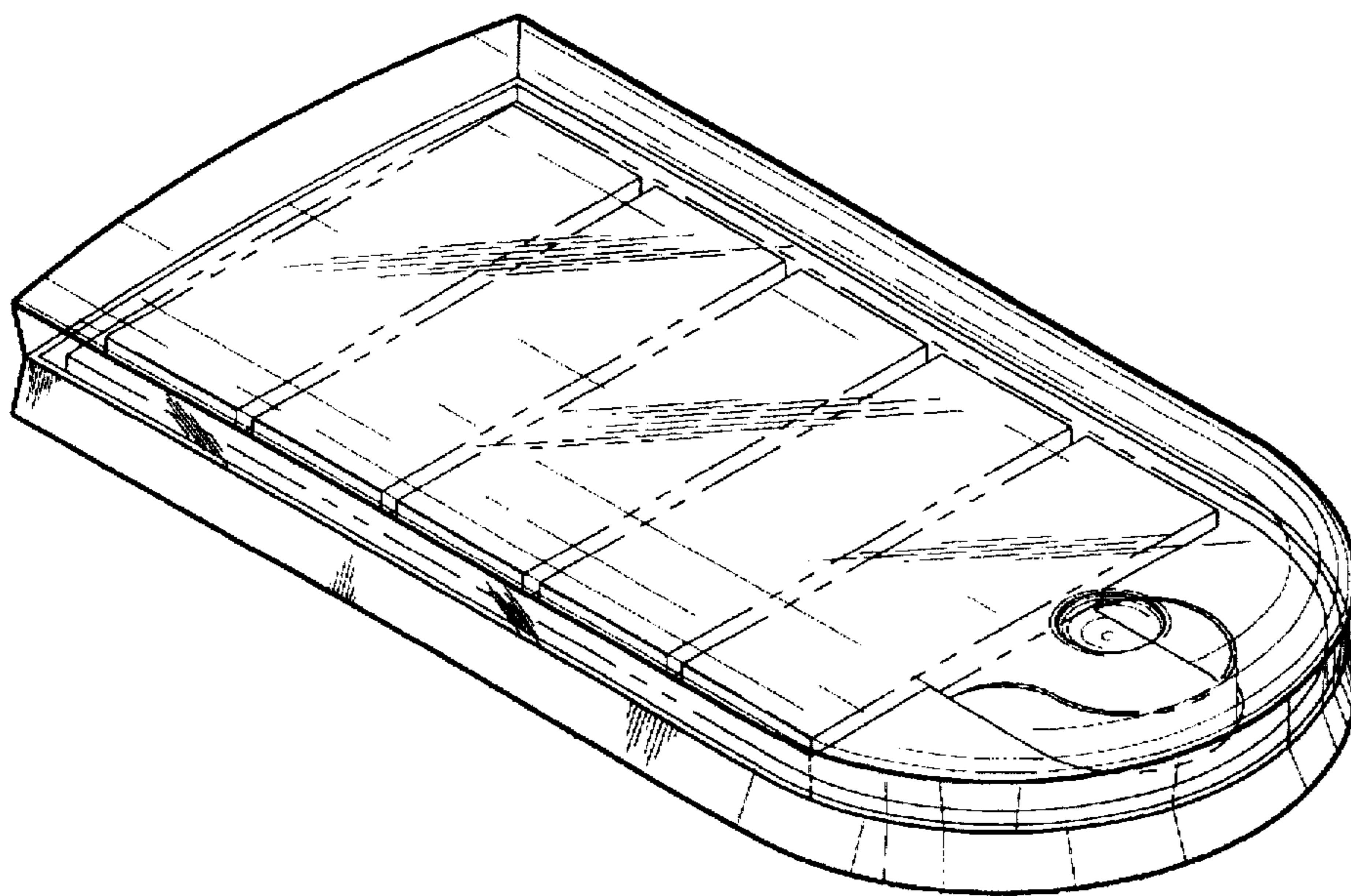


Fig. 8

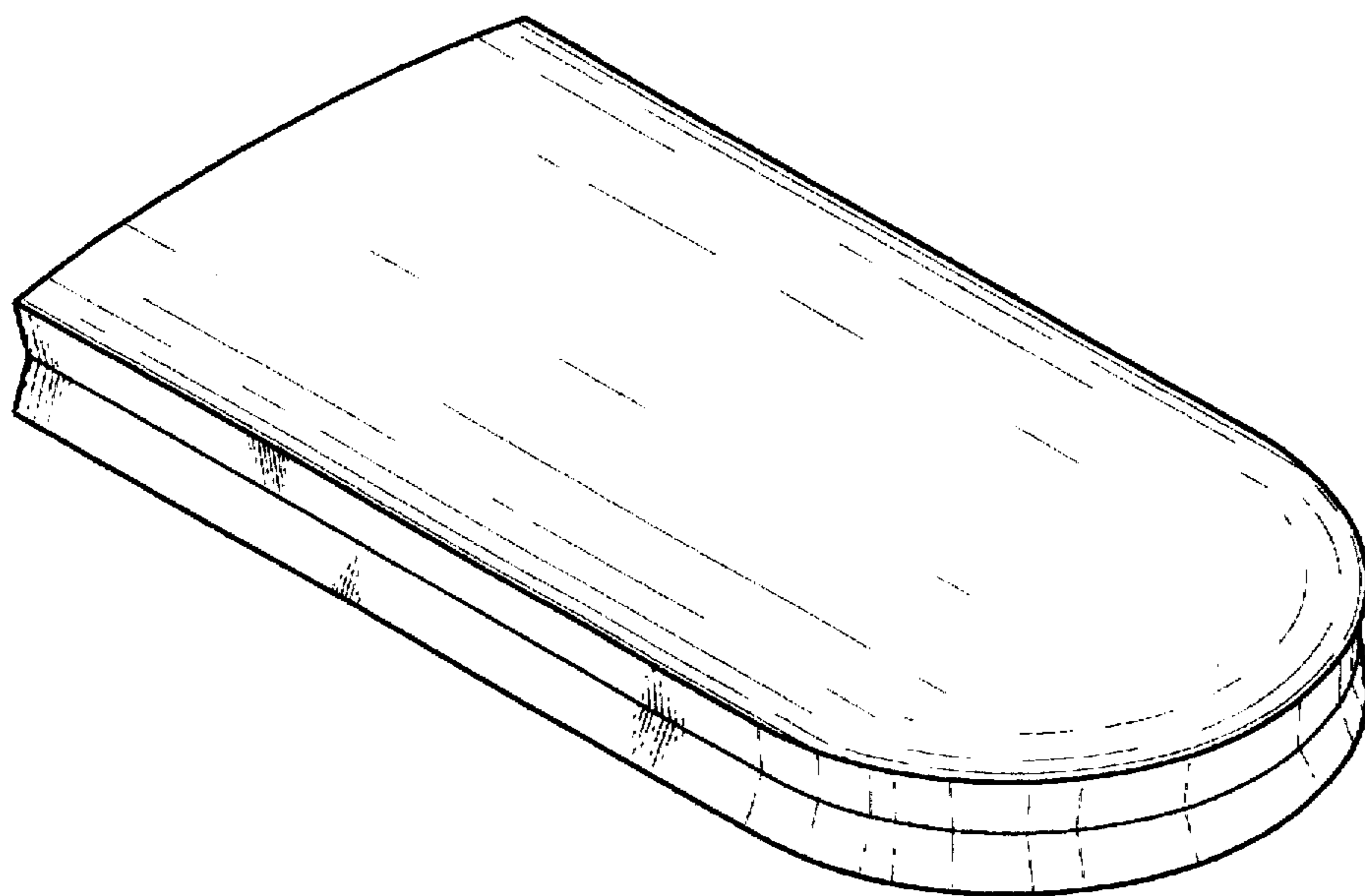


Fig. 9