



US00D389166S

# United States Patent [19]

Swayze et al.

[11] Patent Number: **Des. 389,166**

[45] Date of Patent: **\*\*Jan. 13, 1998**

[54] **STAND FOR AN ELECTRONIC CAMERA**

[75] Inventors: **Samuel F. Swayze; David G. Cooper,**  
both of Fairport; **Kevin R. Young,**  
Rochester, all of N.Y.

[73] Assignee: **Eastman Kodak Company,** Rochester,  
N.Y.

[\*\*] Term: **14 Years**

[21] Appl. No.: **59,534**

[22] Filed: **Sep. 12, 1996**

[51] **LOC (6) Cl.** ..... **16-05**

[52] **U.S. Cl.** ..... **D16/242**

[58] **Field of Search** ..... **D16/237, 242,**  
**D16/243-245; D8/373; 248/127, 346.01;**  
**396/419, 428**

[56] **References Cited**

**U.S. PATENT DOCUMENTS**

D. 349,716	8/1994	O'Farrill et al.	.....	D16/242
5,028,997	7/1991	Elberbaum	.....	396/419
5,058,842	10/1991	Zemlin et al.	.....	396/428
5,246,193	9/1993	Faidley	.....	396/419

**FOREIGN PATENT DOCUMENTS**

628357 8/1949 United Kingdom ..... 248/346.1

*Primary Examiner*—Raphael Barkai  
*Assistant Examiner*—Adir Aronovich  
*Attorney, Agent, or Firm*—David M. Woods

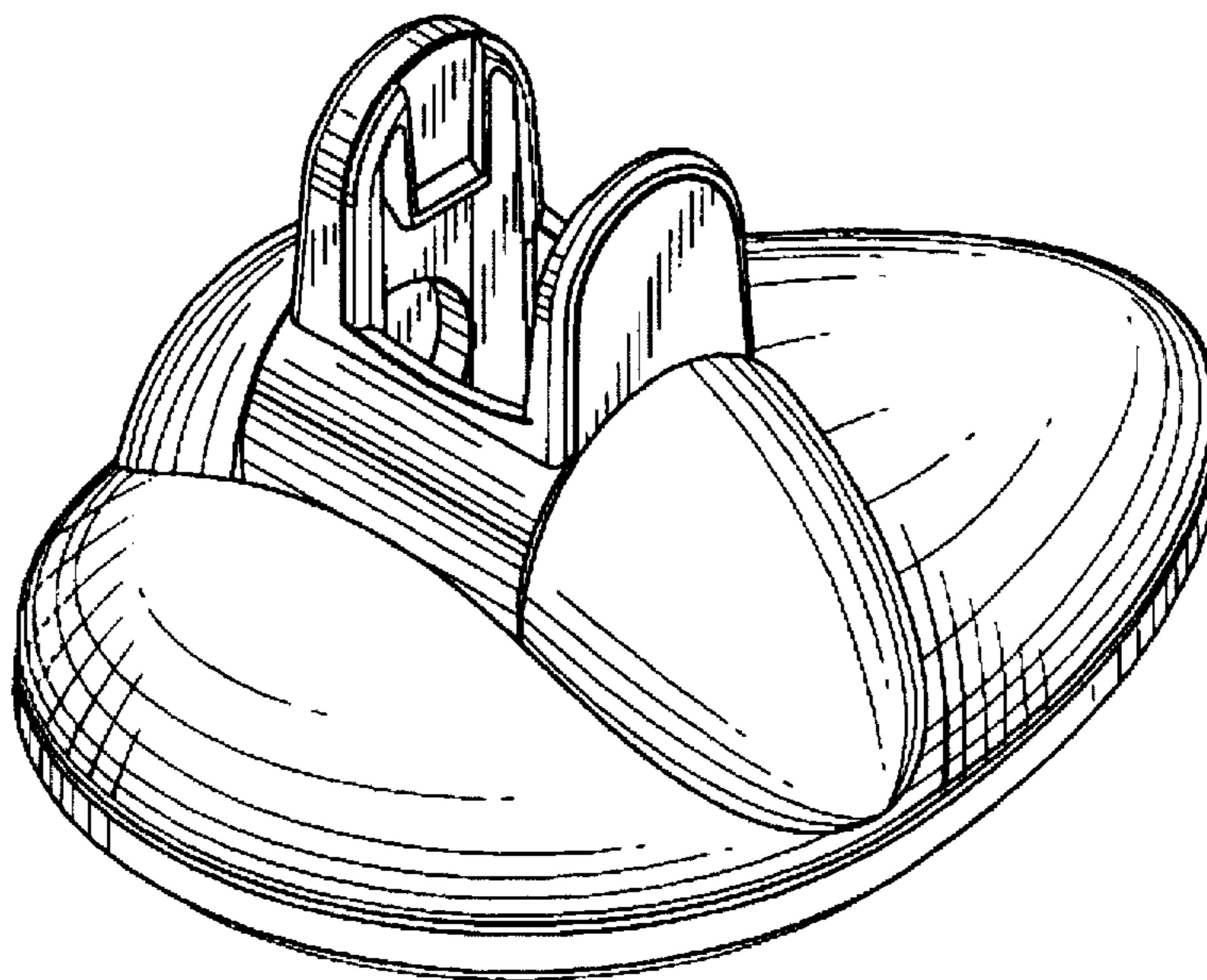
[57] **CLAIM**

The ornamental design for a stand for an electronic camera, as shown and described.

**DESCRIPTION**

FIG. 1 is a front, top, right-side perspective view of a stand for an electronic camera, showing our new design;  
FIG. 2 is a front elevation view thereof;  
FIG. 3 is a rear elevation view thereof;  
FIG. 4 is a top plan view thereof;  
FIG. 5 is a bottom plan view thereof;  
FIG. 6 is a right-side elevation view thereof;  
FIG. 7 is a left-side elevation view thereof; and,  
FIG. 8 is a right-side elevation view thereof, showing an electronic camera in broken lines in two different positions. The broken line showing of the electronic camera in FIG. 8 is for illustrative purposes only and forms no part of the claimed design.

**1 Claim, 5 Drawing Sheets**



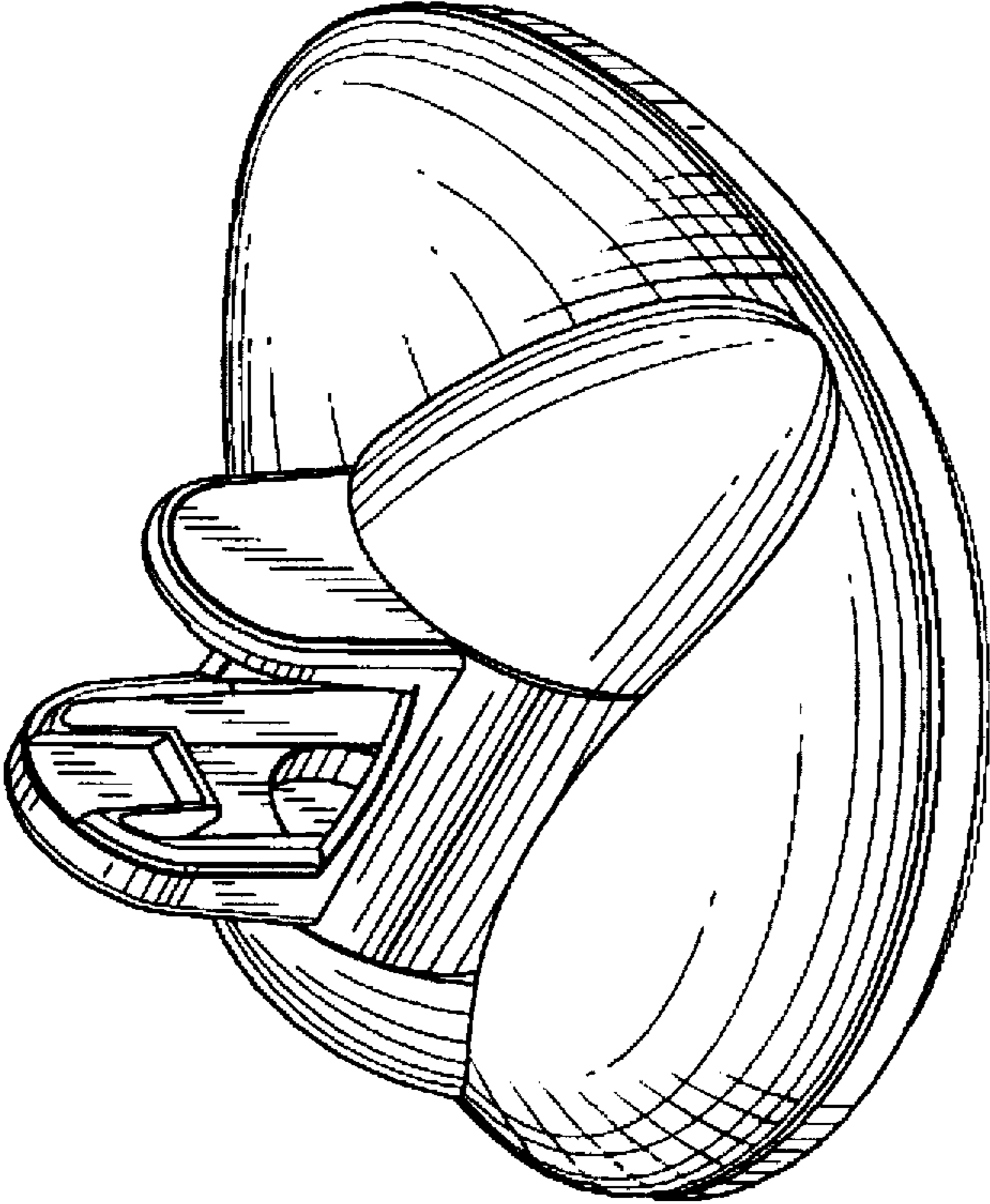


FIG. 1

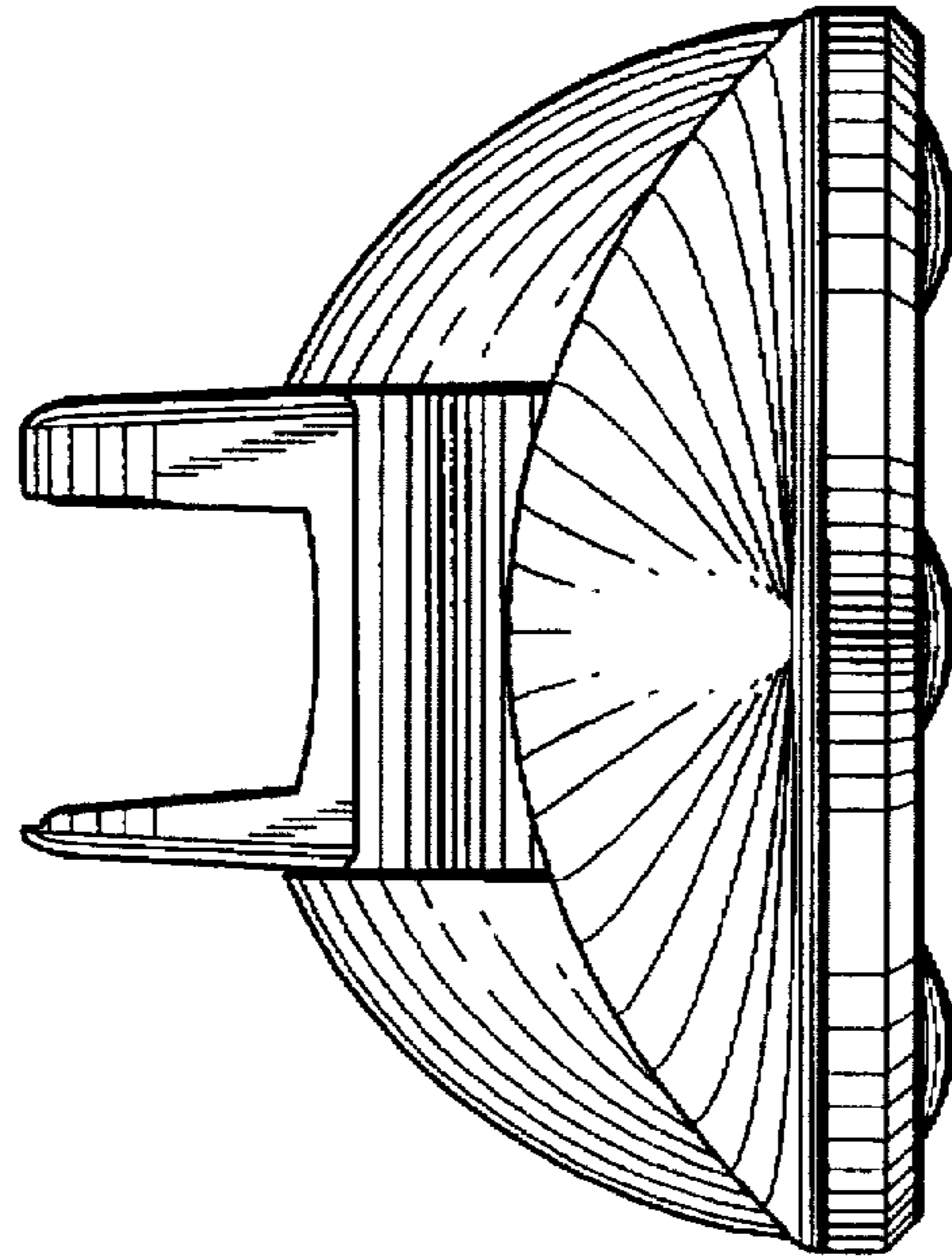


FIG. 3

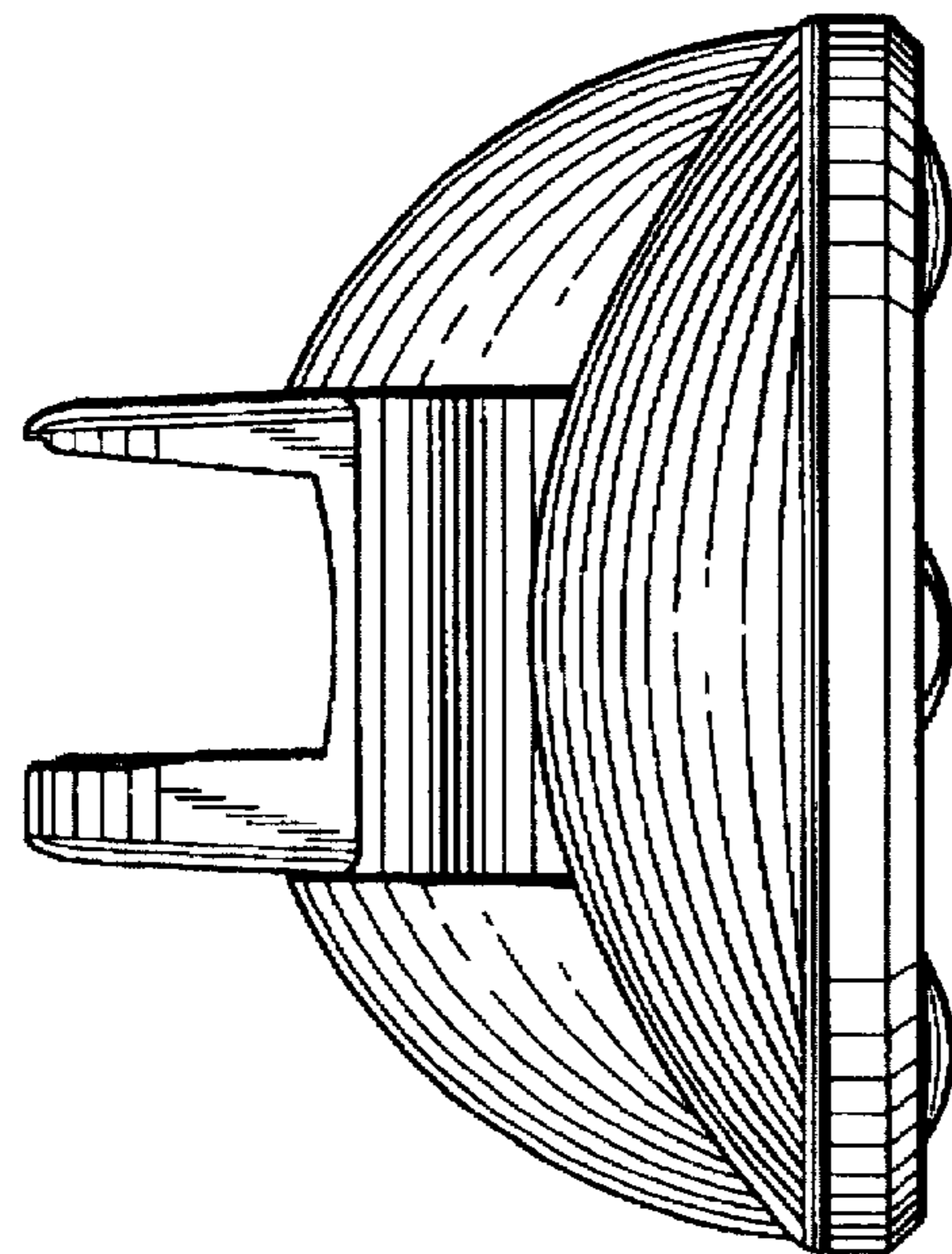


FIG. 2

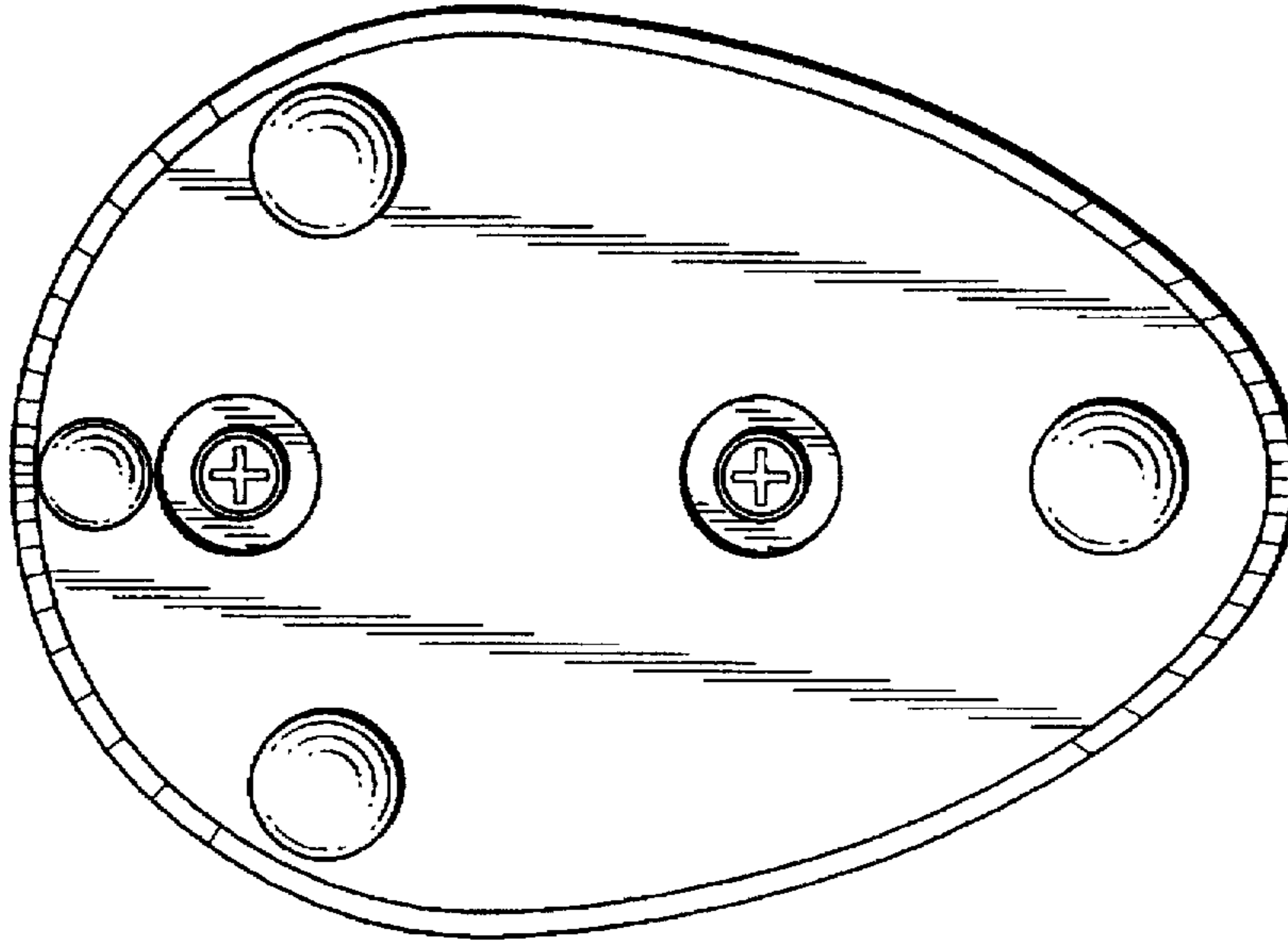


FIG. 5

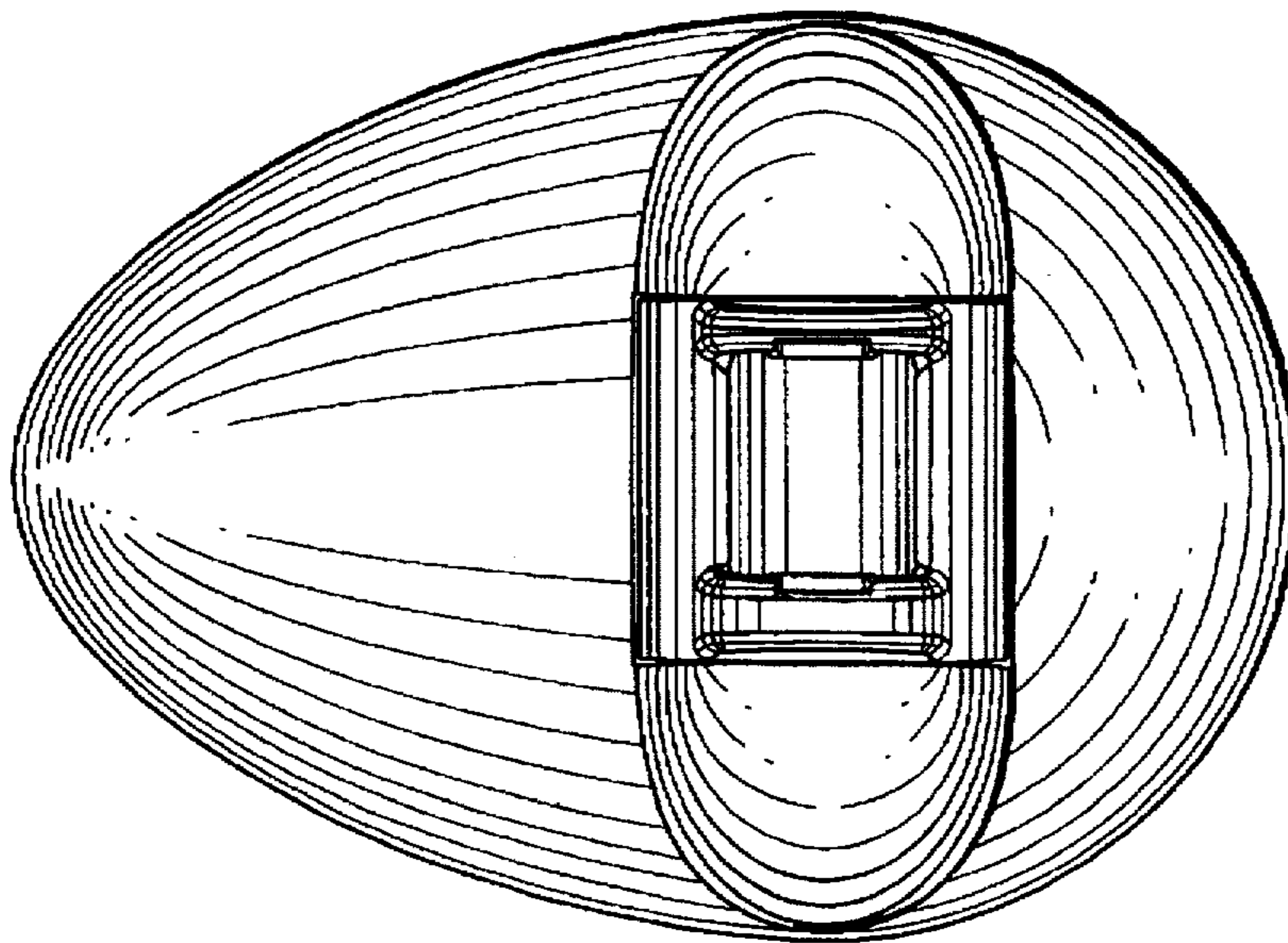


FIG. 4

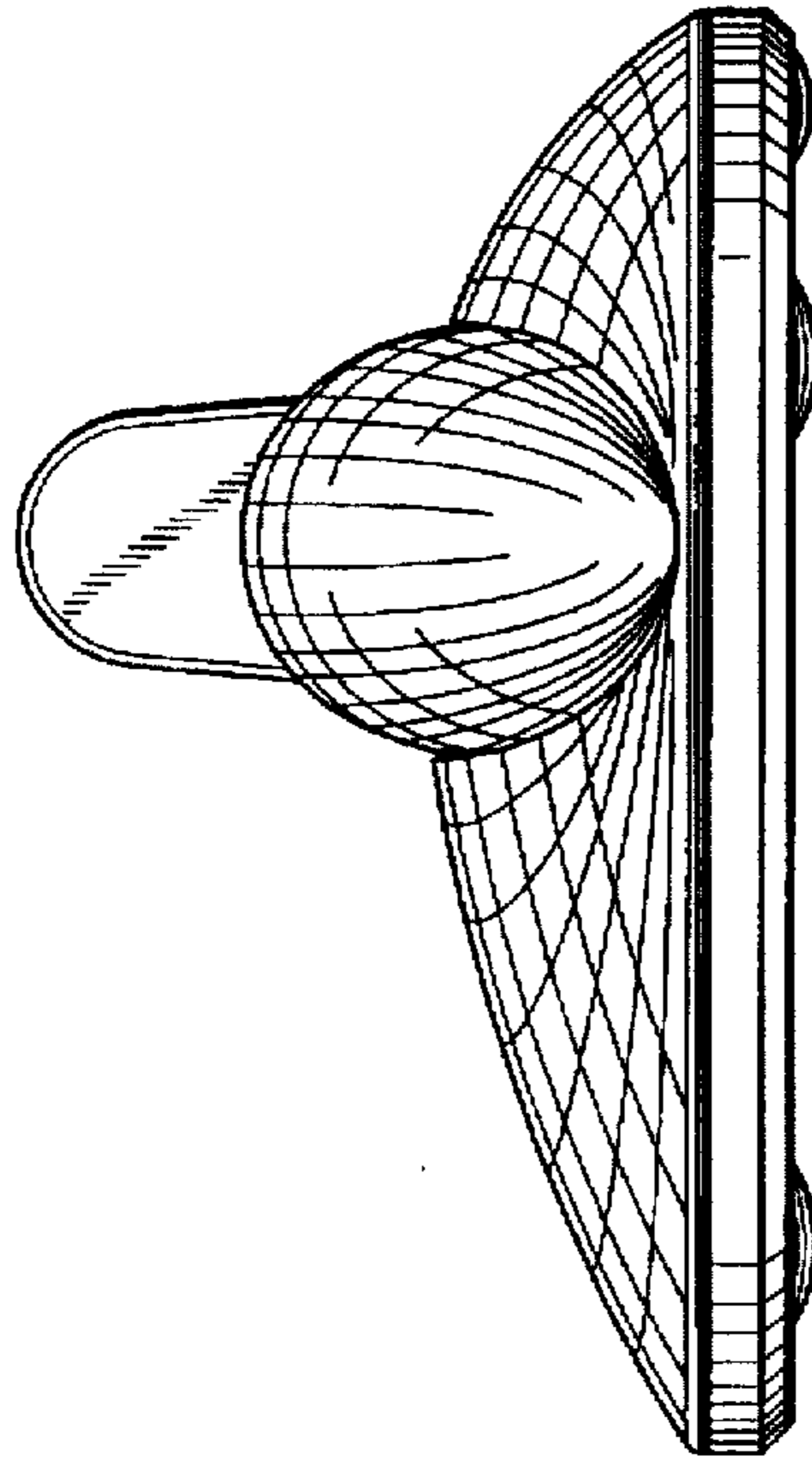


FIG. 6

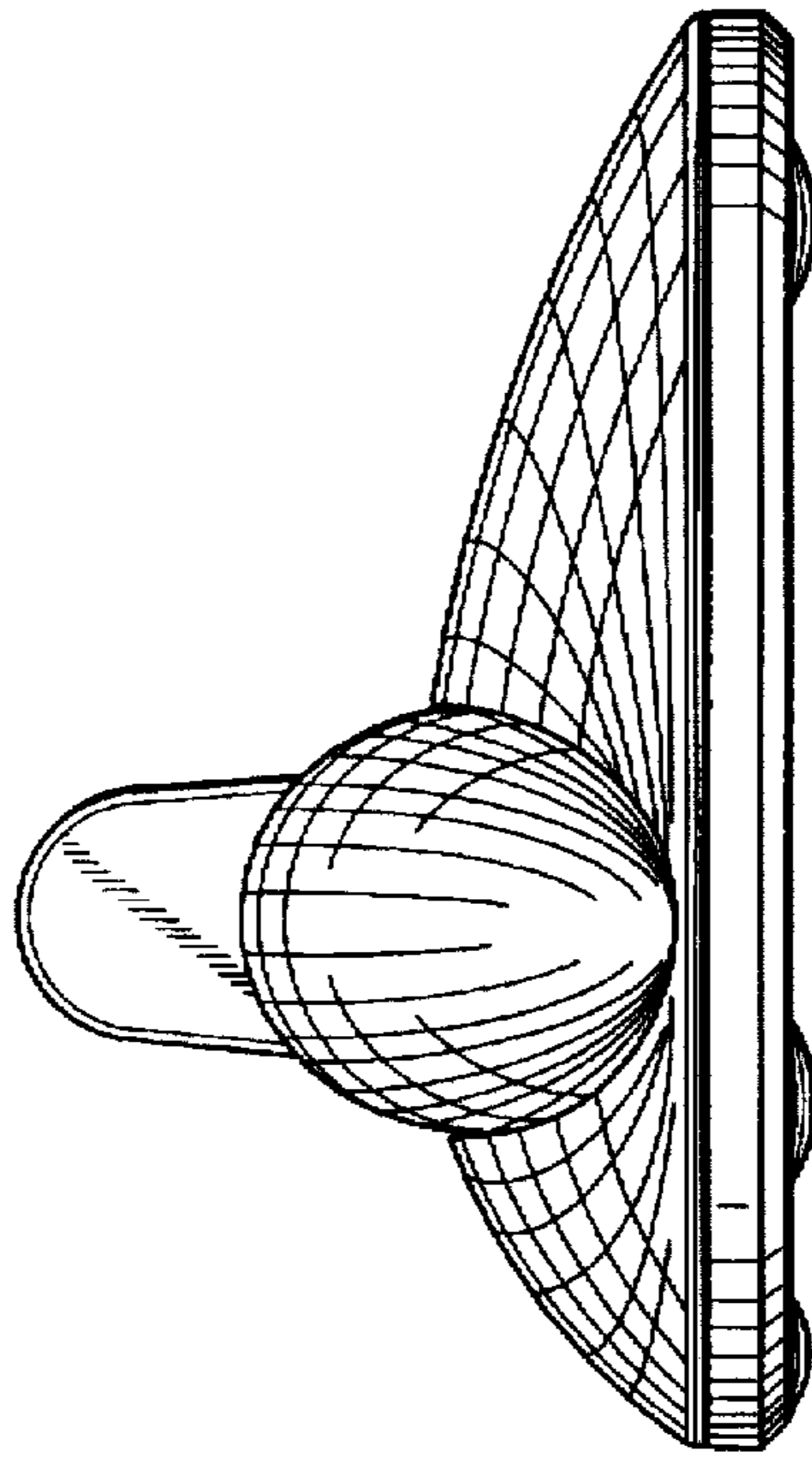


FIG. 7

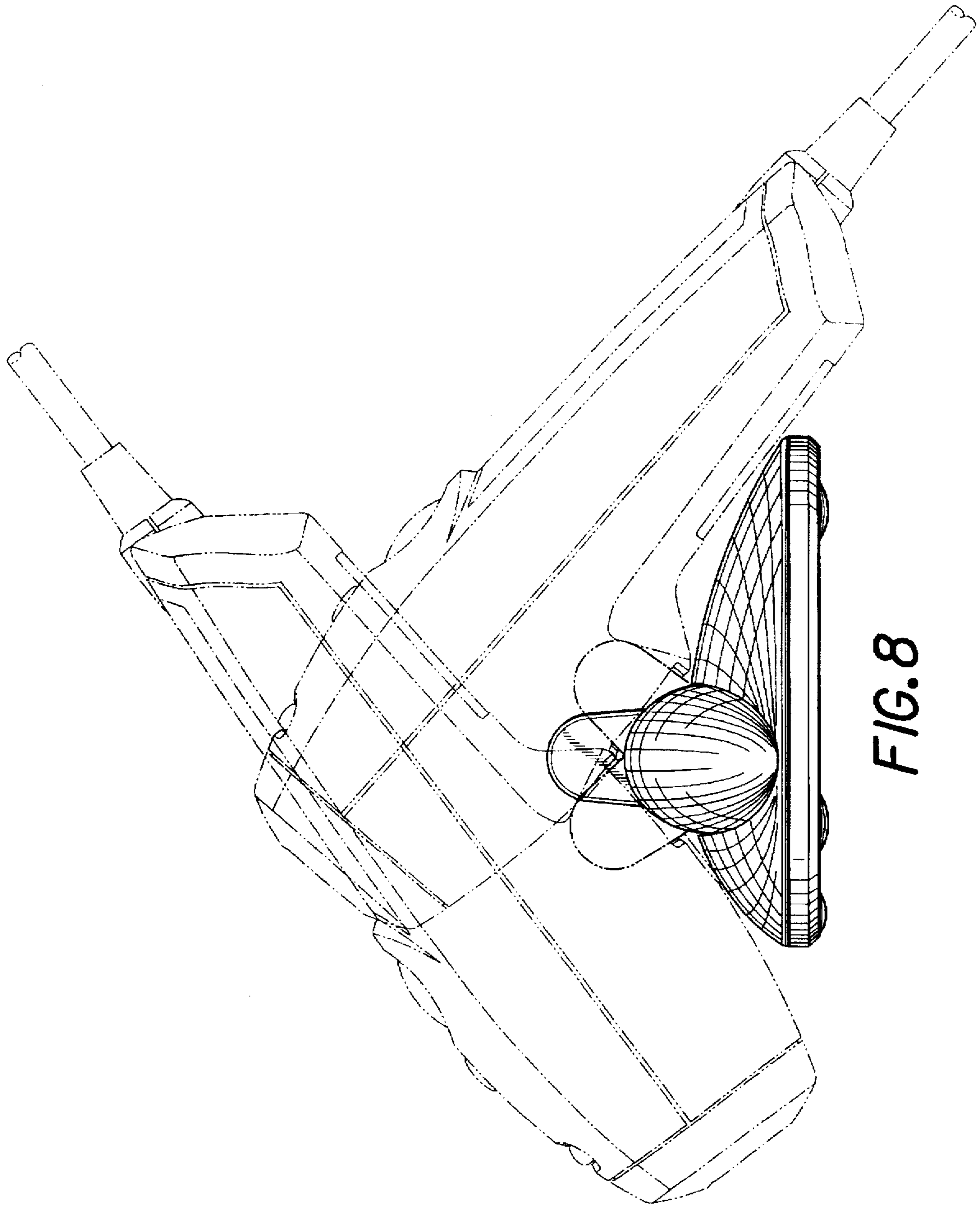


FIG. 8