

US00D389160S

**United States Patent** [19]  
**Wolf**

[11] **Patent Number: Des. 389,160**

[45] **Date of Patent: \*\*Jan. 13, 1998**

[54] **RIDING LAWN MOWER BODY**

D. 365,572 12/1995 Cerny et al. .... D15/17  
5,136,829 8/1992 Sebben et al. .... D15/15

[76] **Inventor: Bradley John Wolf, 7565 Basswood Ct. #F, N. Royalton, Ohio 44133**

*Primary Examiner*—Sandra L. Morris

[\*\*] **Term: 14 Years**

[57] **CLAIM**

[21] **Appl. No.: 59,202**

The ornamental design for a riding lawn mower body, as shown and described.

[22] **Filed: Sep. 5, 1996**

**DESCRIPTION**

[51] **LOC (6) Cl. .... 15-03**

[52] **U.S. Cl. .... D15/17**

[58] **Field of Search .... D15/14-17; 56/17.5, 56/249, 255, 295, 320.1, 320.2**

FIG. 1 is a left side elevational view of a riding lawn mower body, showing my new design;  
FIG. 2 is a right side elevational view thereof;  
FIG. 3 is a front view thereof;  
FIG. 4 is a rear view thereof; and,  
FIG. 5 is a top plan view thereof.

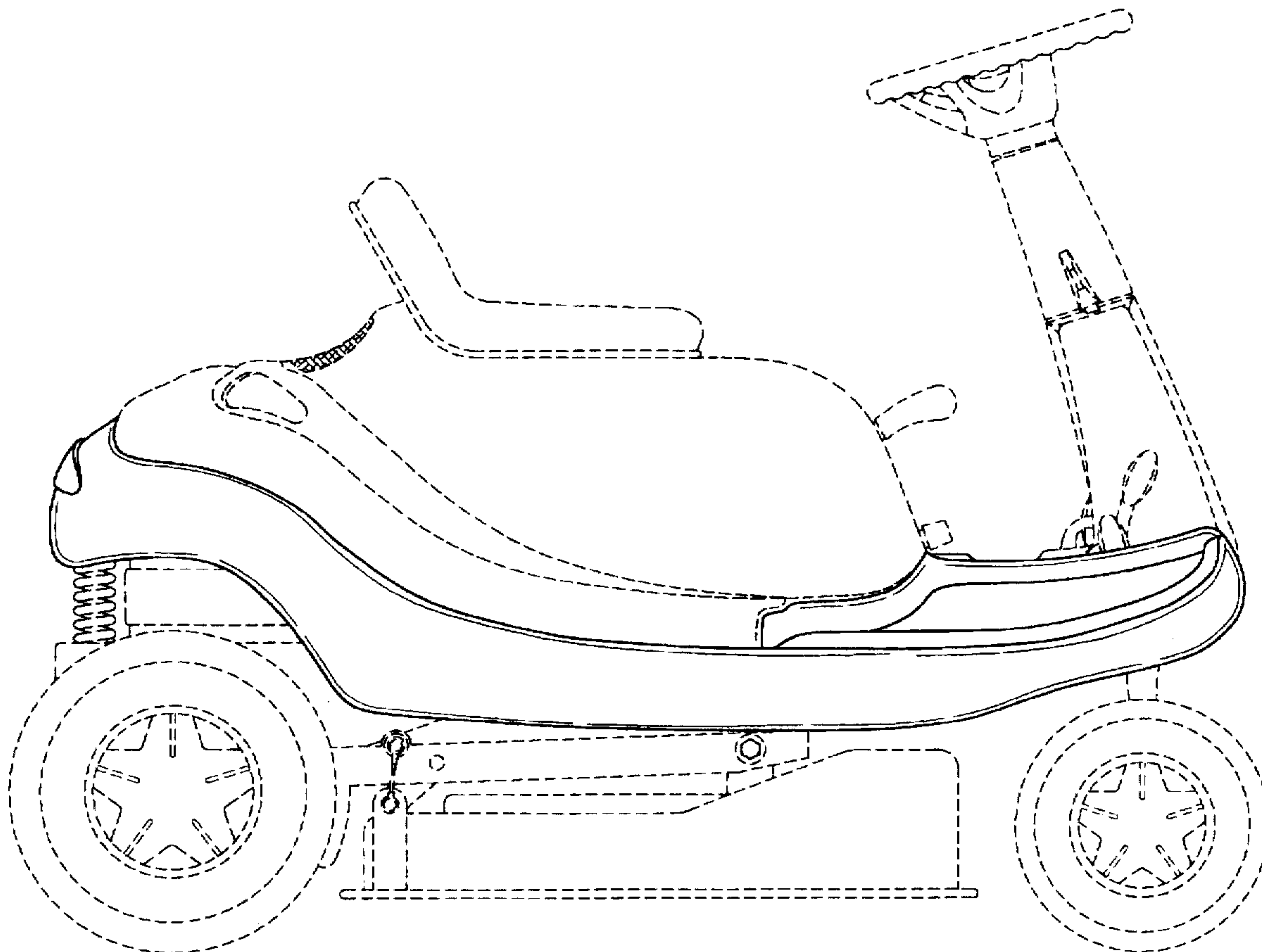
[56] **References Cited**

The broken line showing of the rest of the mower is for illustrative purposes only, and forms no part of the claimed design.

**U.S. PATENT DOCUMENTS**

- D. 338,473 8/1993 Patterson et al. .... D15/17
- D. 340,461 10/1993 Patterson et al. .... D15/15
- D. 362,447 9/1995 Lamb .... D15/15
- D. 365,349 12/1995 Katoh et al. .... D15/15

**1 Claim, 4 Drawing Sheets**



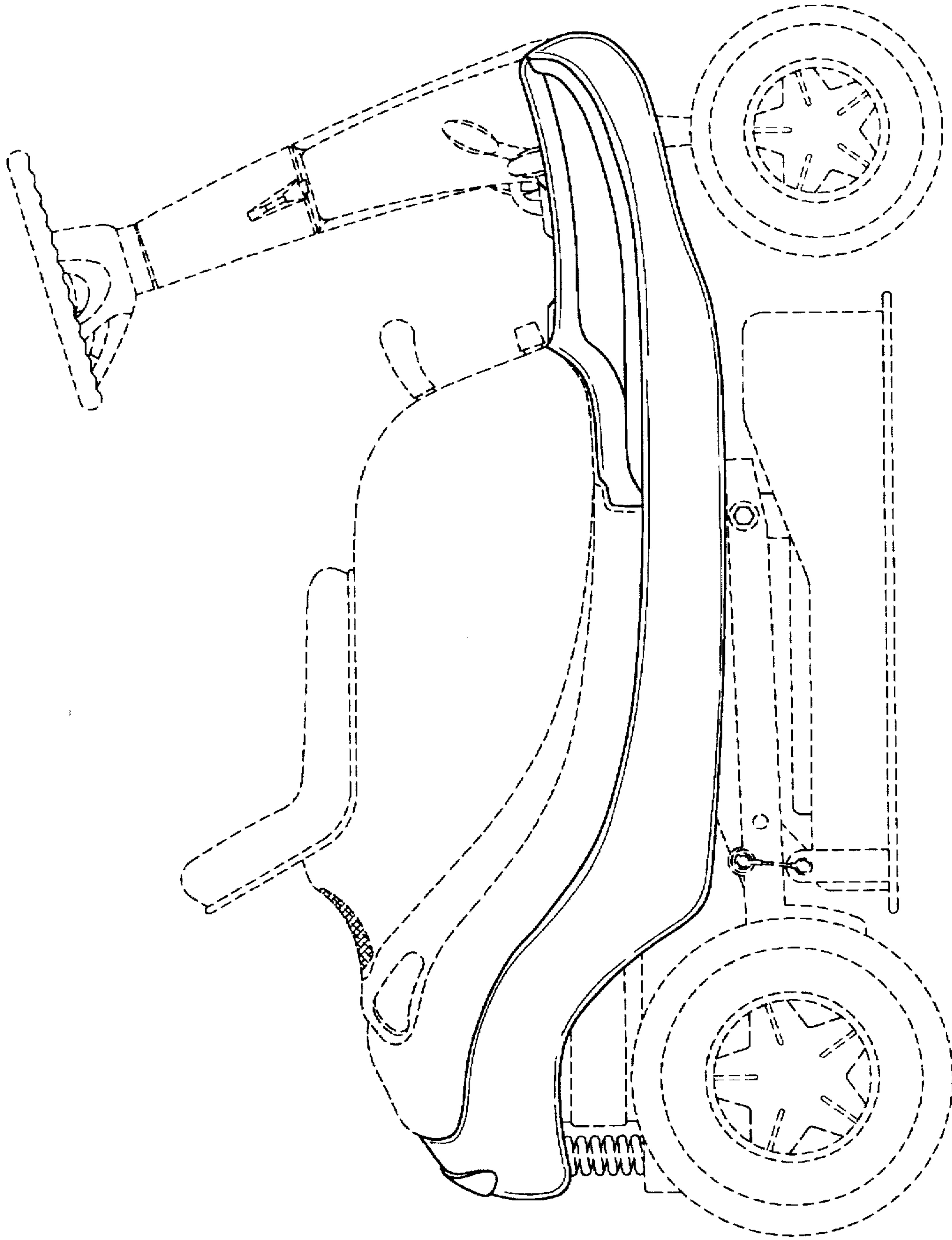


FIG-1

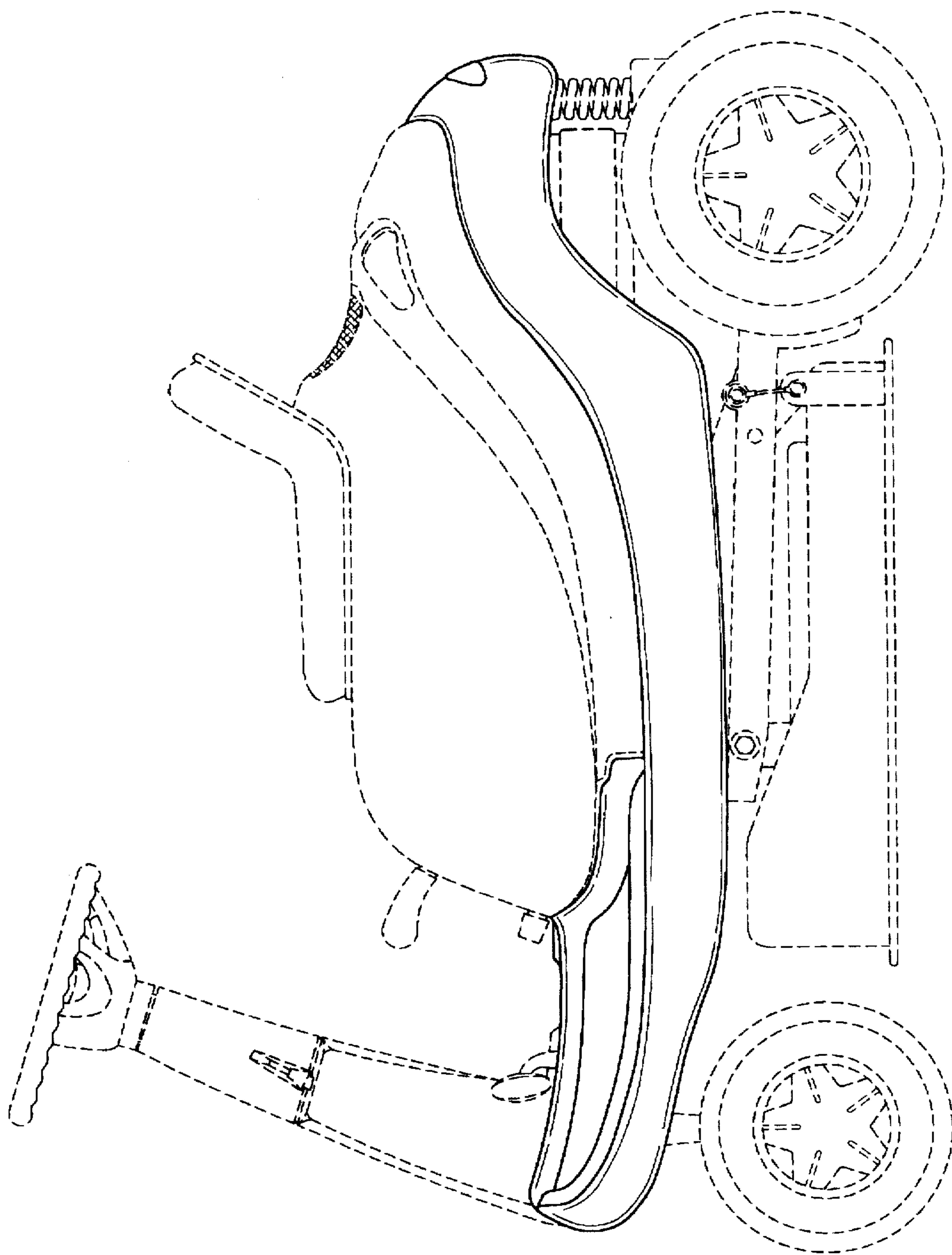


FIG-2

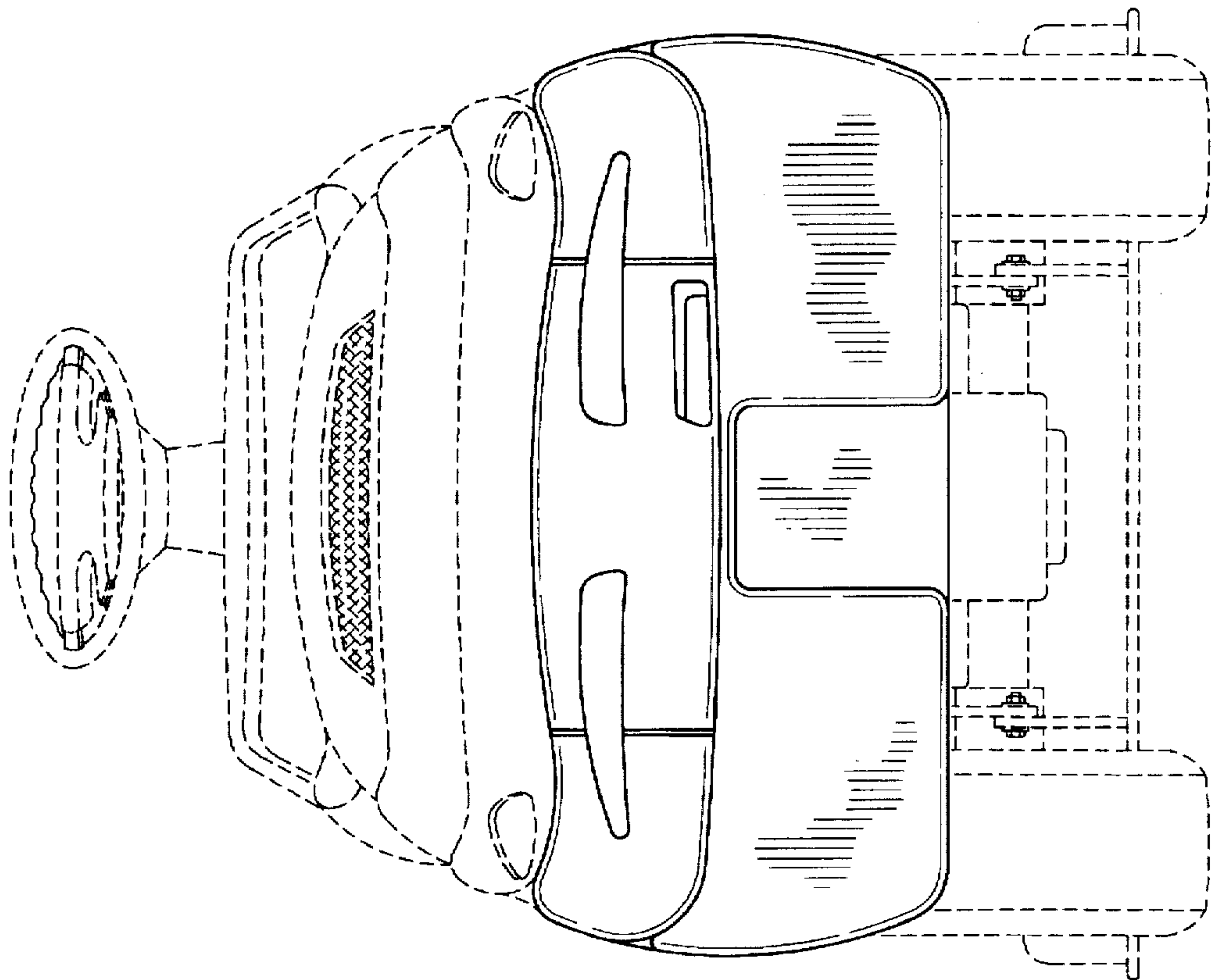


FIG-4

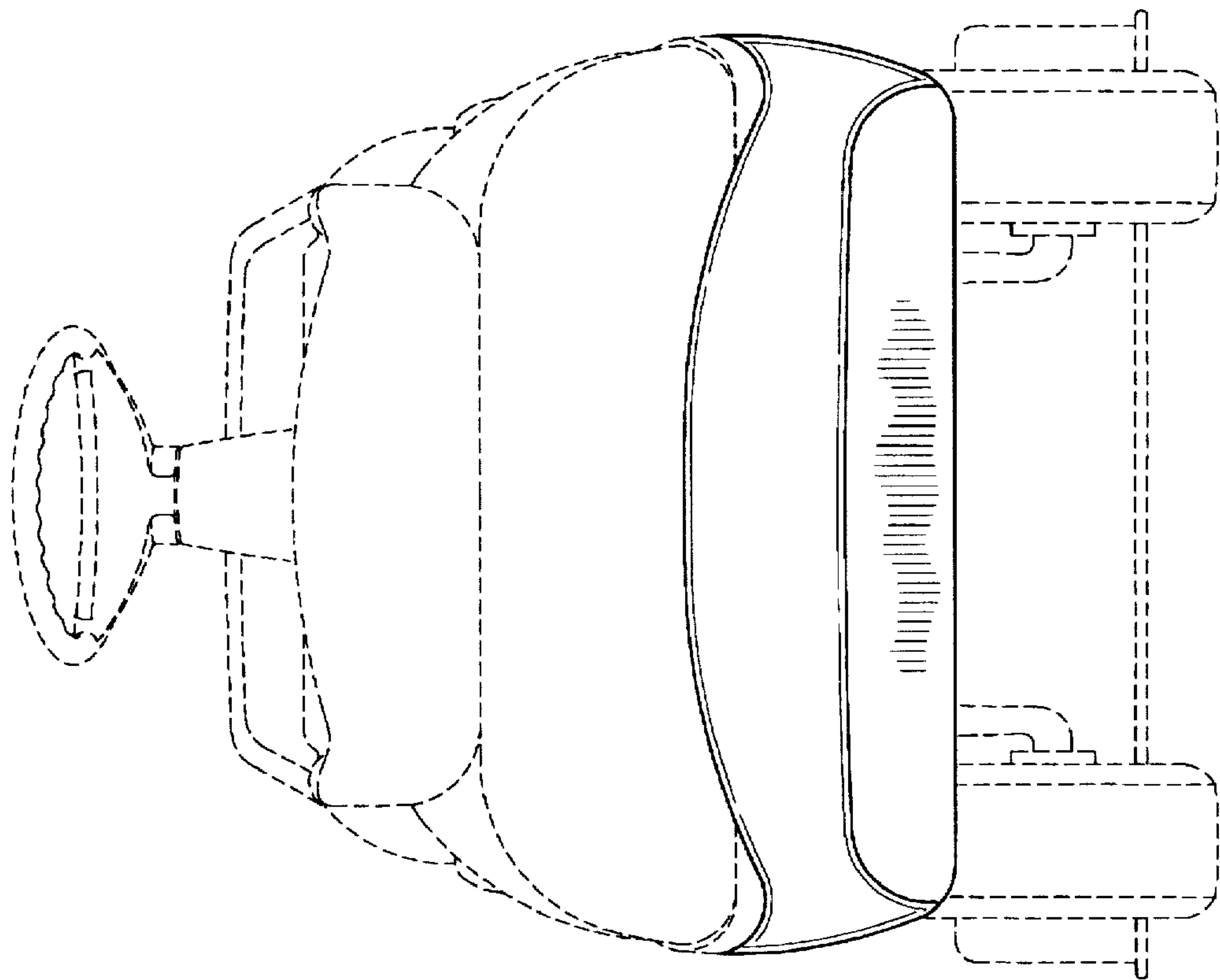


FIG-3



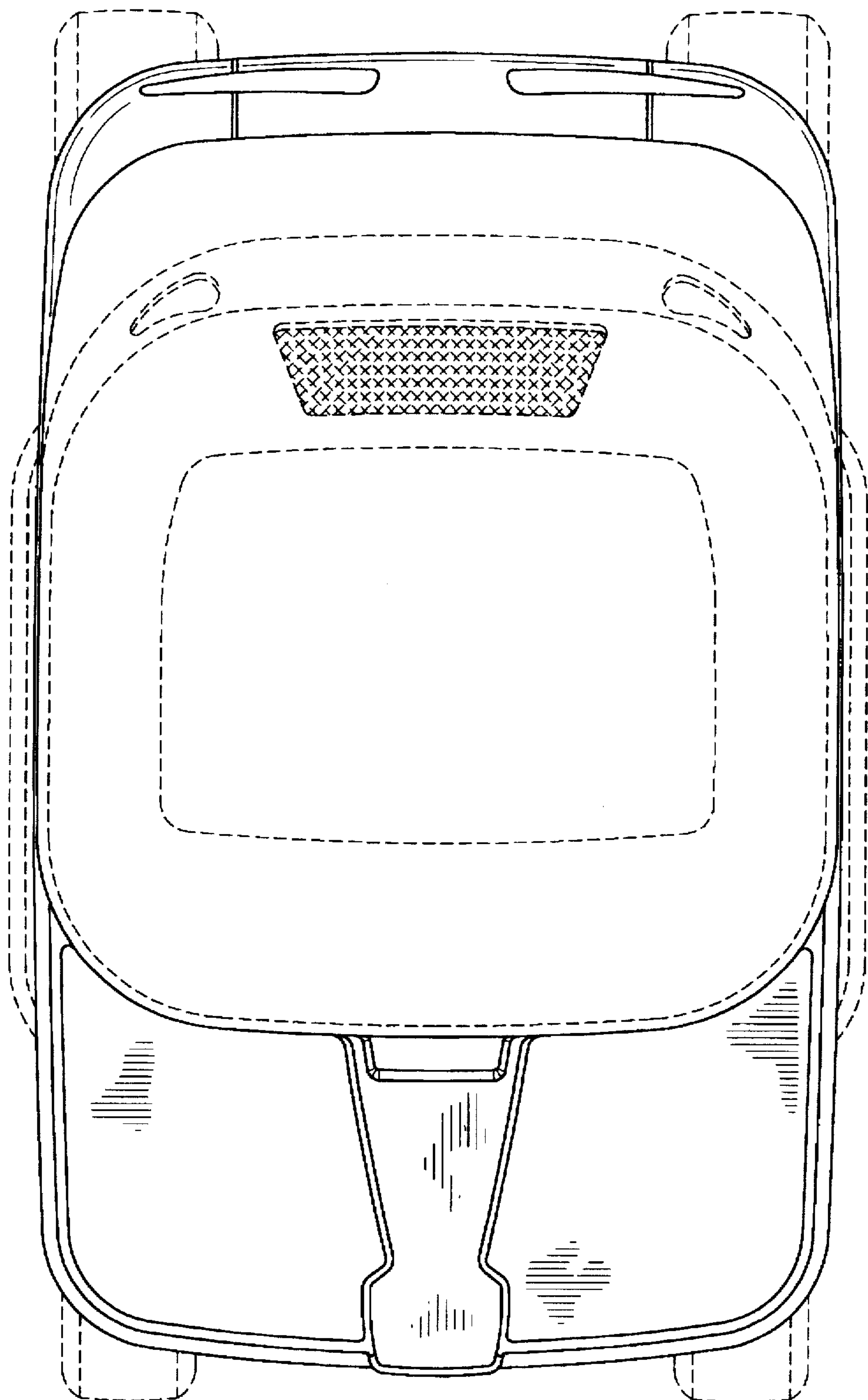


FIG-5