



US00D389159S

# United States Patent [19]

Patterson et al.

[11] Patent Number: Des. 389,159

[45] Date of Patent: \*\*Jan. 13, 1998

[54] CRADLE FOR A CELLULAR TELEPHONE

[75] Inventors: Gregory S. Patterson; Haruo Kurokawa, both of Morrisville, N.C.

[73] Assignee: Ericsson Inc., Research Triangle Park, N.C.

[\*\*] Term: 14 Years

[21] Appl. No.: 59,516

[22] Filed: Sep. 12, 1996

[51] LOC (6) Cl. .... 14-03

[52] U.S. Cl. .... D14/253; D13/108

[58] Field of Search ..... D13/107, 108; D14/140, 142, 147, 148, 149, 240, 251, 252, 253, 217, 299; 379/419, 420, 428, 440, 454, 455, 58-61, 433-436; 455/89, 90; D3/218

### [56] References Cited

#### U.S. PATENT DOCUMENTS

- D. 320,991 10/1991 Nagai et al. .... D14/240
- D. 344,708 3/1994 Ho ..... D13/108
- D. 353,371 12/1994 Delhaes ..... D14/149
- D. 358,822 5/1995 Rudkiewicz ..... D14/142 X
- D. 363,284 10/1995 Solomita ..... D14/149
- D. 365,927 1/1996 Cho ..... D3/218

- D. 367,065 2/1996 Wu ..... D14/253
- D. 368,479 4/1996 Larson ..... D14/253
- 5,052,943 10/1991 Davis ..... D13/108 X
- 5,187,744 2/1993 Richter ..... 379/455 X
- 5,189,358 2/1993 Tomura et al. .... 455/89 X
- 5,568,548 10/1996 Repplinger et al. .... 379/455 X

#### OTHER PUBLICATIONS

Page Showing Fujitsu Model F80P-170, AC Charger Therein.

Primary Examiner—Jeffrey Asch  
Attorney, Agent, or Firm—Burns, Doane, Swecker & Mathis, L.L.P.

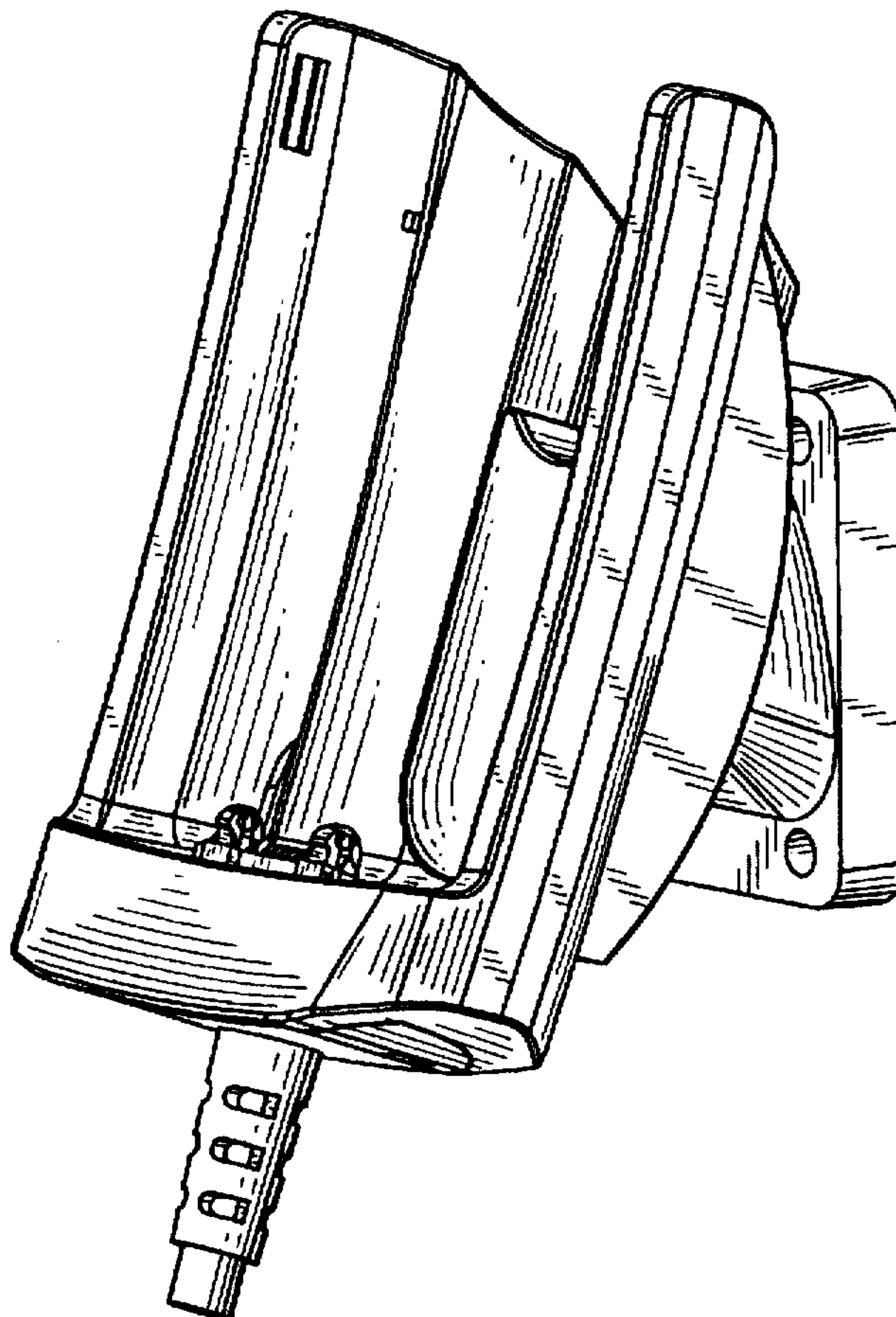
#### [57] CLAIM

The ornamental design for a cradle for a cellular telephone, as shown.

#### DESCRIPTION

FIG. 1 is a perspective view showing our new design for a cradle for a cellular telephone;  
FIG. 2 is a front view thereof;  
FIG. 3 is a top view thereof;  
FIG. 4 is a bottom view thereof;  
FIG. 5 is a left side view thereof;  
FIG. 6 is a right side view thereof; and,  
FIG. 7 is a rear view thereof.

1 Claim, 7 Drawing Sheets



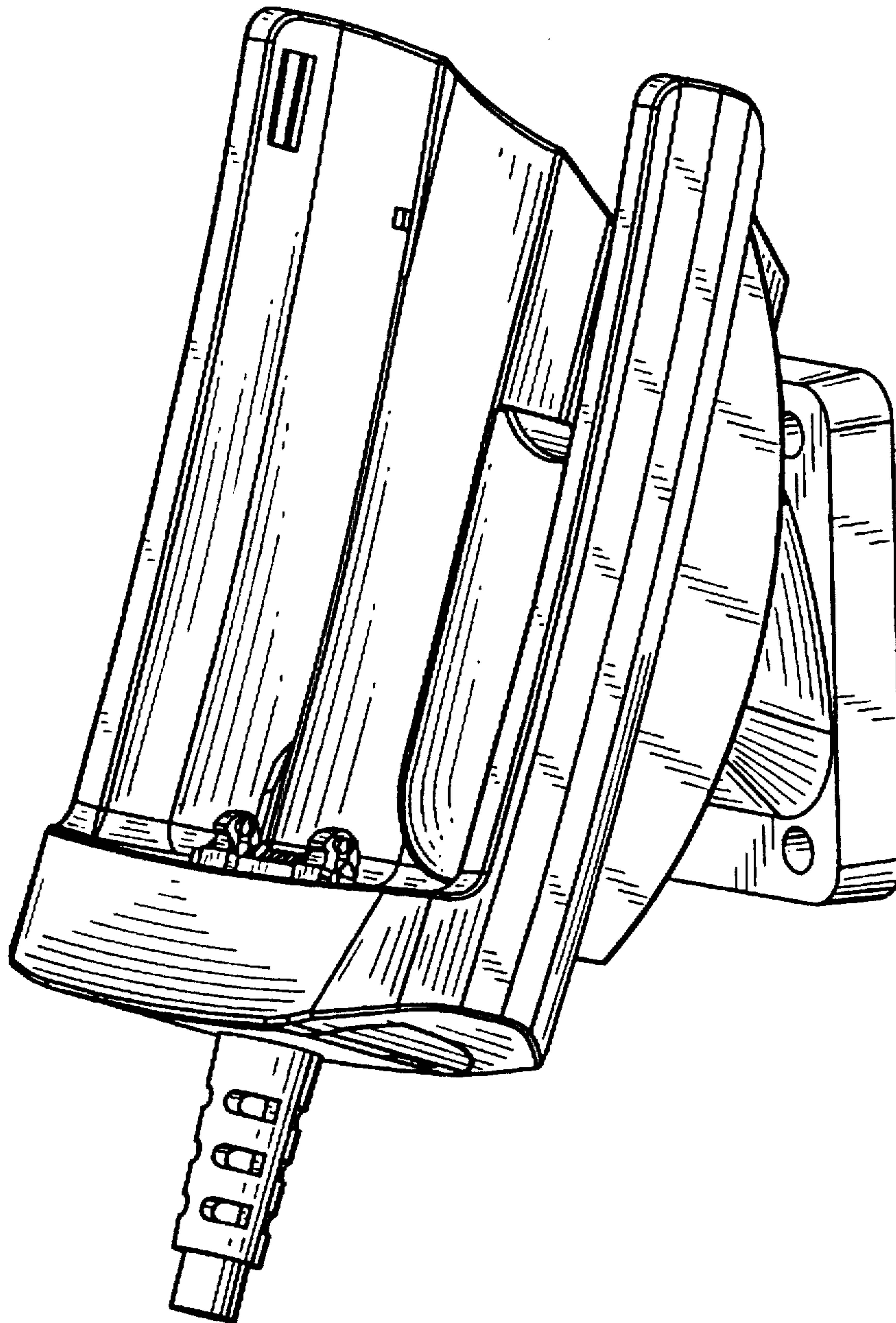
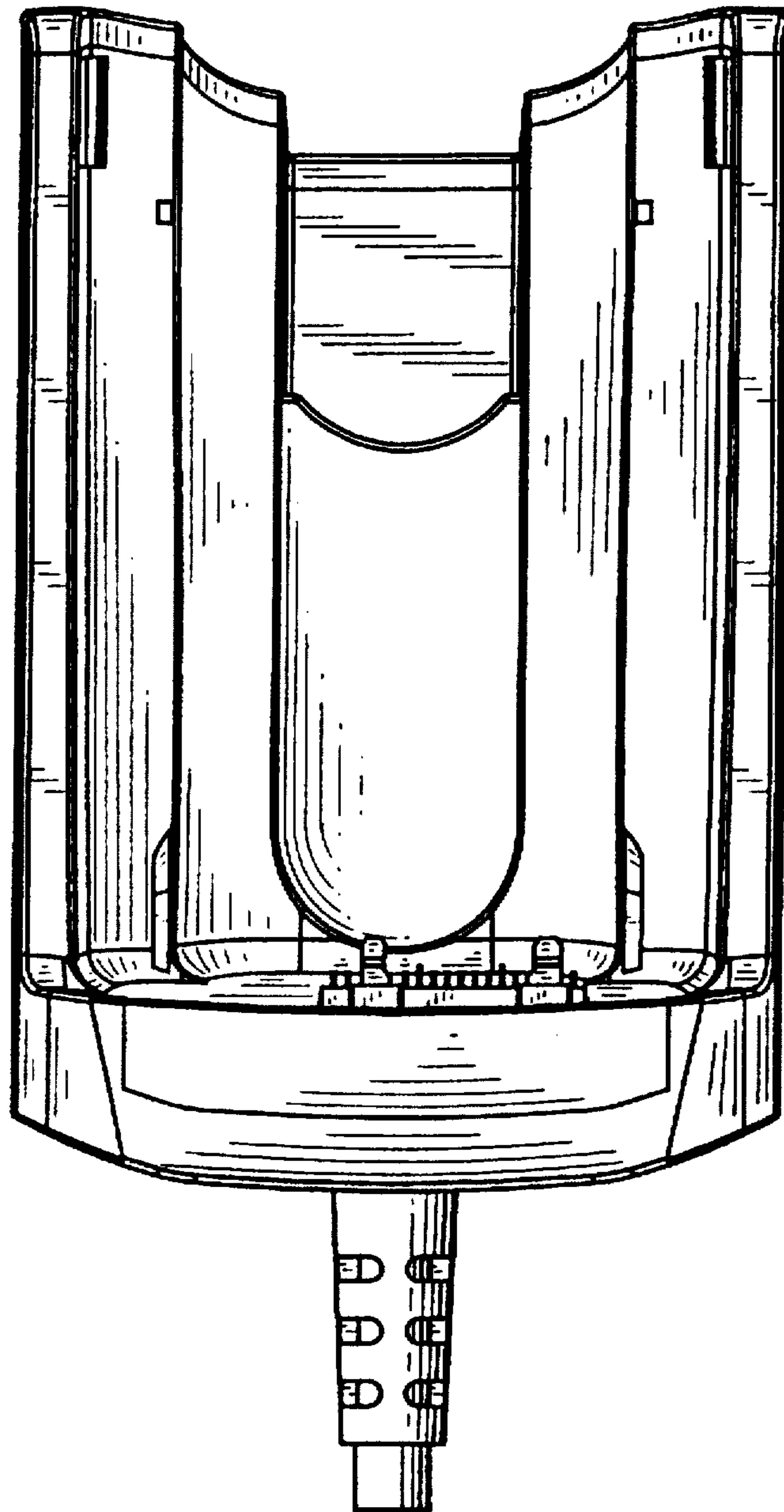
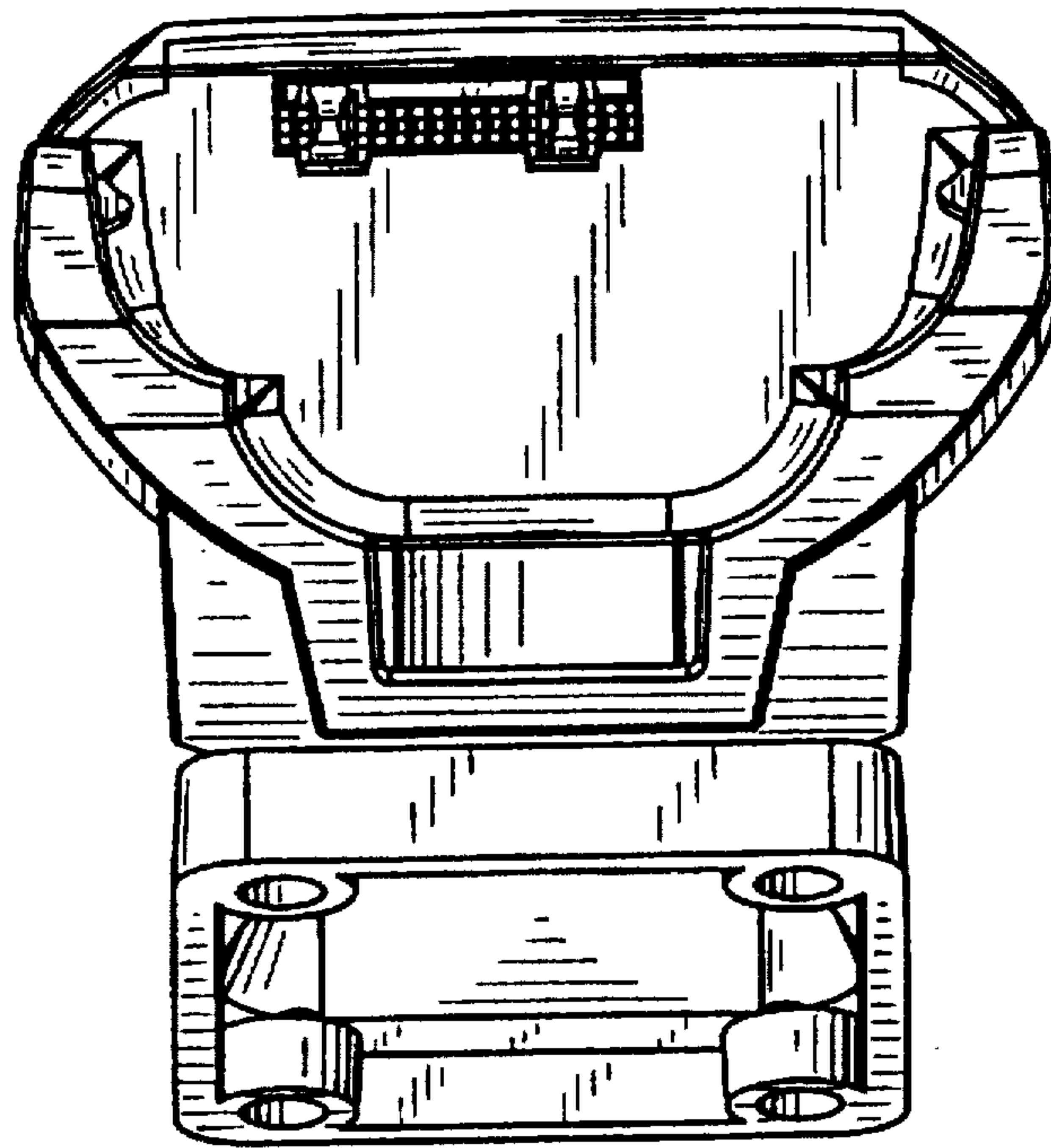


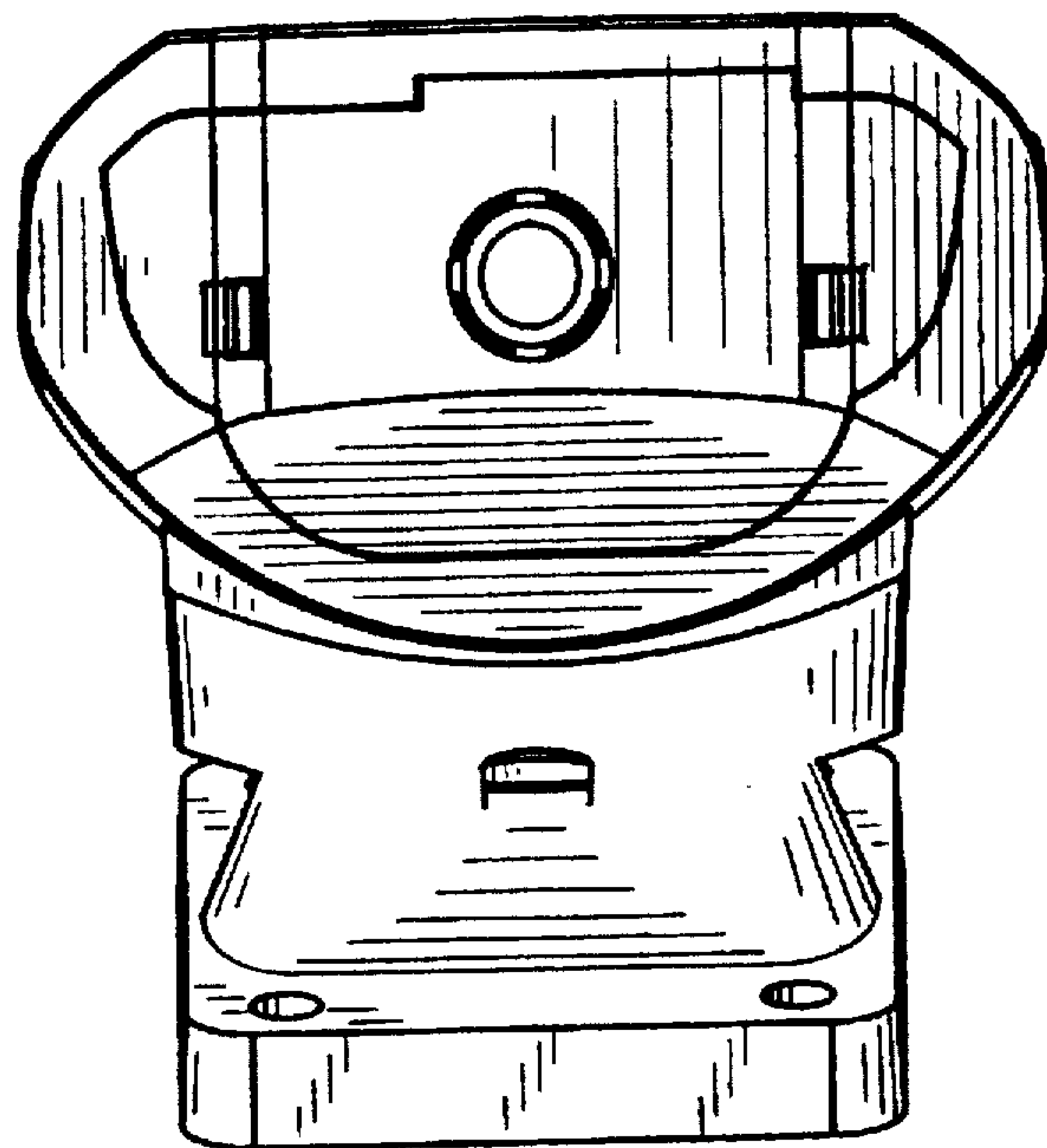
Fig. 1



*Fig. 2*

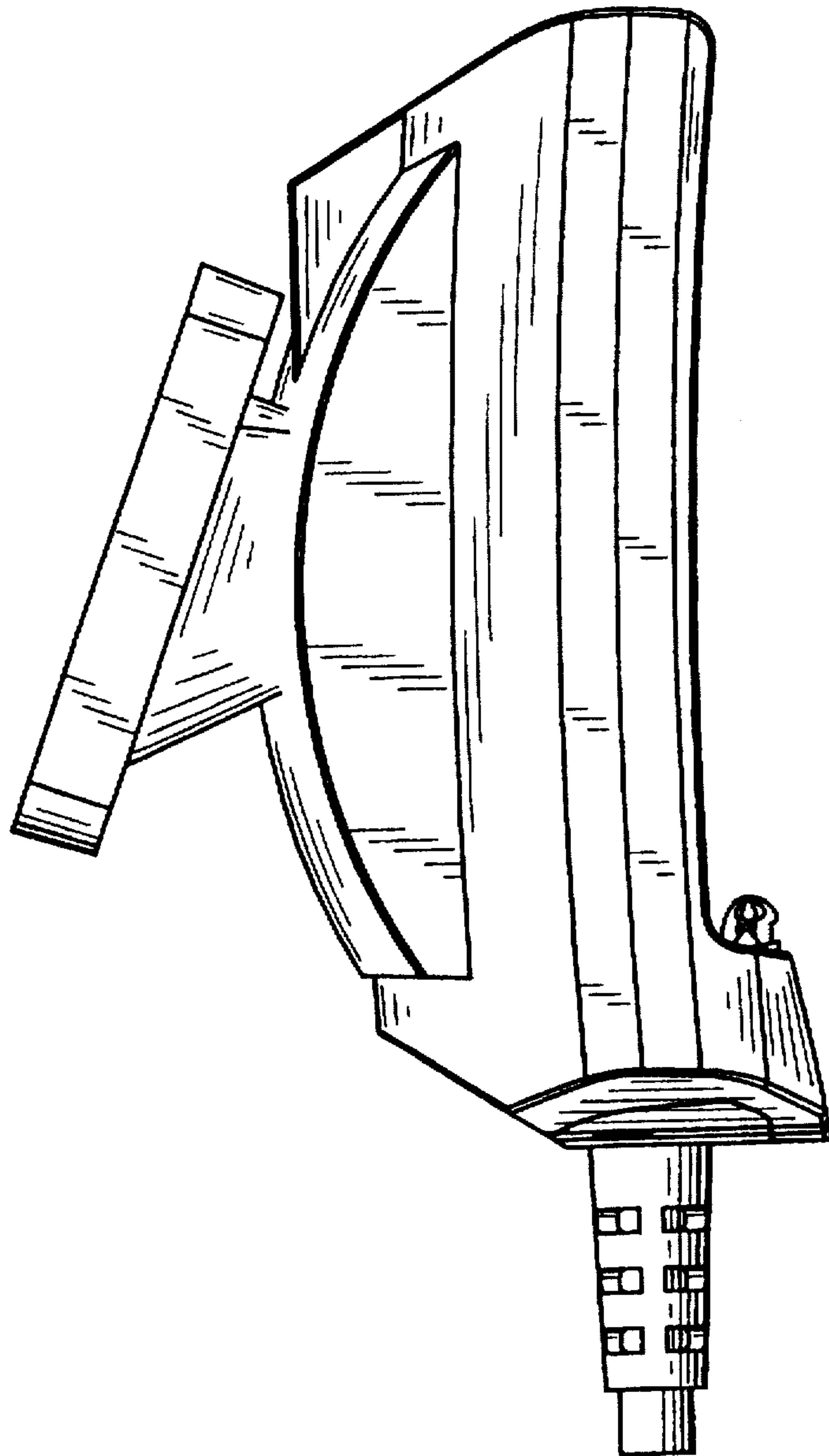


*Fig. 3*

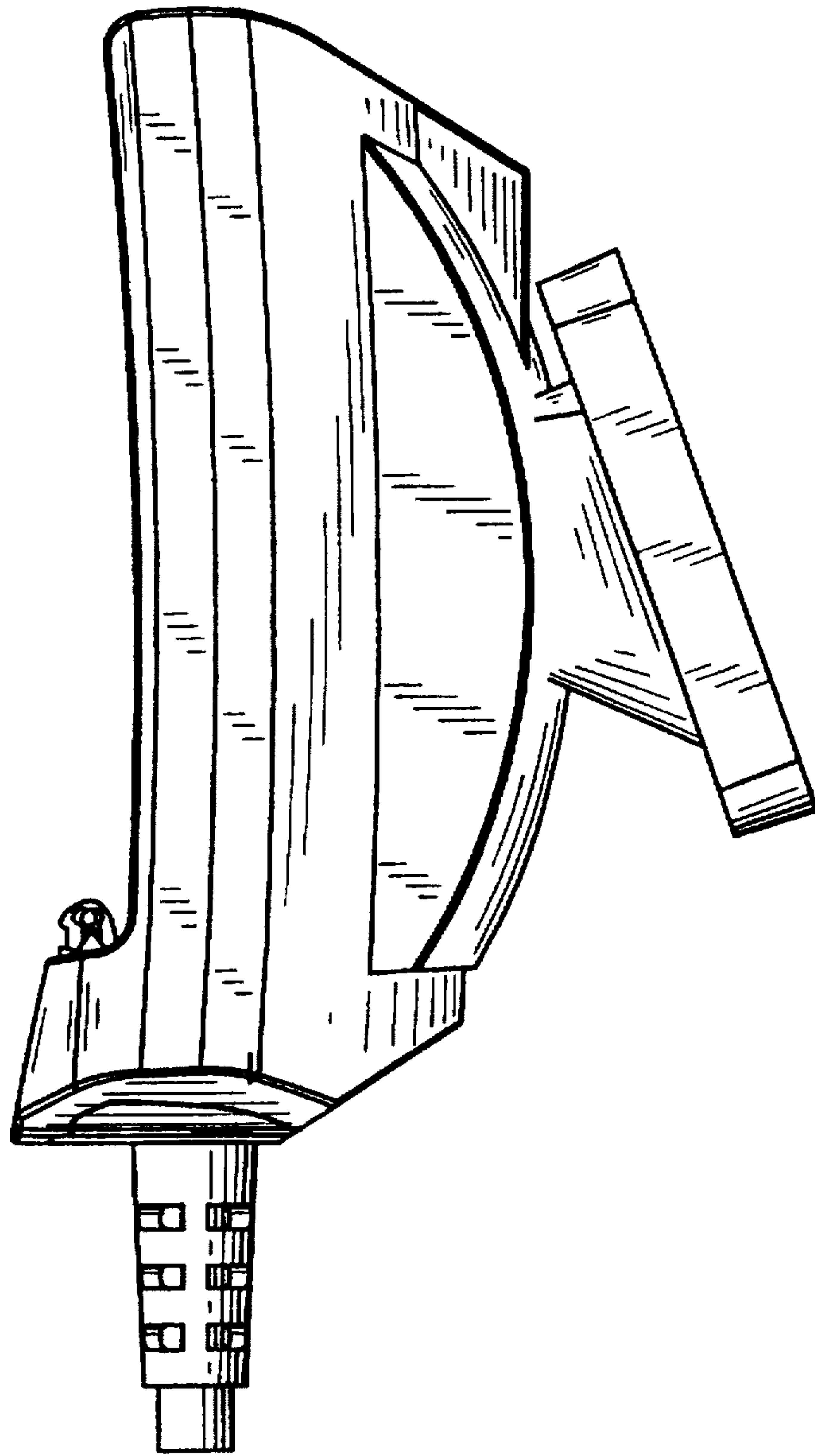


*Fig. 4*

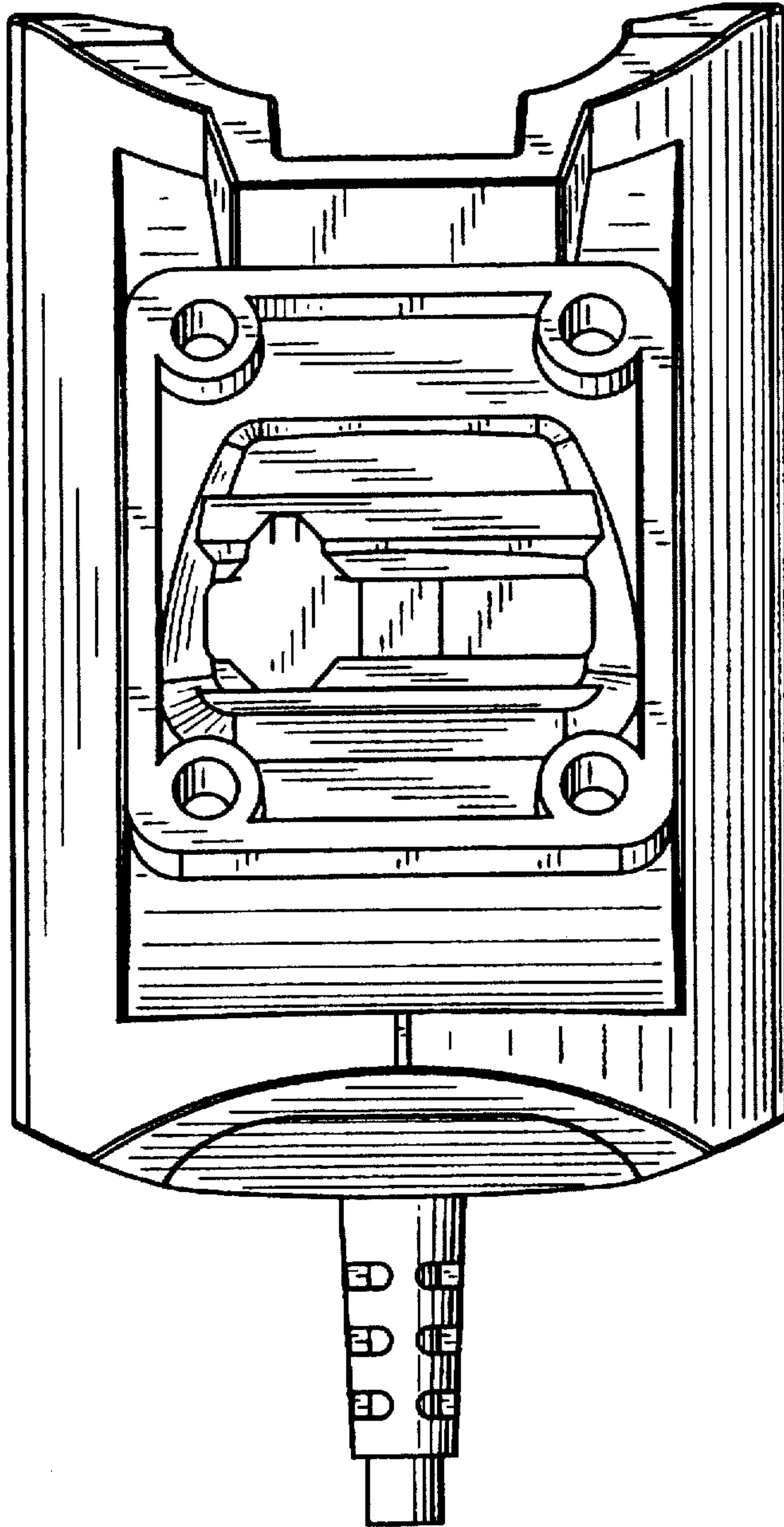




*Fig. 5*



*Fig. 6*



*Fig. 7*