

US00D389157S

United States Patent [19]

Williams et al.

[11] Patent Number: **Des. 389,157**

[45] Date of Patent: ****Jan. 13, 1998**

[54] **KEY ARRANGEMENT**

[75] Inventors: **Daniel L. Williams**, Vernon Hills;
David W. Trahan, Grayslake; **Daryl Harris**, Evanston, all of Ill.

[73] Assignee: **Motorola, Inc.**, Schaumburg, Ill.

[**] Term: **14 Years**

[21] Appl. No.: **59,566**

[22] Filed: **Oct. 18, 1996**

Related U.S. Application Data

[62] Division of Ser. No. 35,166, Feb. 22, 1995.

[51] **LOC (6) Cl.** **14-03**

[52] **U.S. Cl.** **D14/247; D14/100; D18/7**

[58] **Field of Search** **D14/137, 138, D14/140, 142, 147-151, 240, 247, 218, 100, 115; D18/2, 7; D21/48; D13/168, 164; 379/58-61, 419, 420, 428, 440, 433, 454, 455; 455/89, 90**

[56] **References Cited**

U.S. PATENT DOCUMENTS

- D. 351,159 10/1994 Nakano D14/138
- D. 354,072 1/1995 Yatabe D14/138
- D. 356,344 3/1995 Rissman et al. D21/48

- D. 364,850 12/1995 Estradar et al. D14/100
- D. 365,558 12/1995 Kajita et al. D14/138
- D. 367,060 2/1996 Augaitis et al. D14/218
- D. 370,016 5/1996 Replinger et al. D14/138 X
- D. 372,898 8/1996 Shan D18/2
- D. 373,149 8/1996 Kawasaki D21/48
- D. 376,142 12/1996 Matsumoto D14/138
- D. 377,351 1/1997 Toki et al. D14/138
- D. 377,792 2/1997 Lindeman D14/148
- 5,333,176 7/1994 Burke et al. 455/90

Primary Examiner—Jeffrey Asch

Attorney, Agent, or Firm—Mark D. Patrick; Randall S. Vaas

[57] **CLAIM**

The ornamental design for a key arrangement, as shown and described.

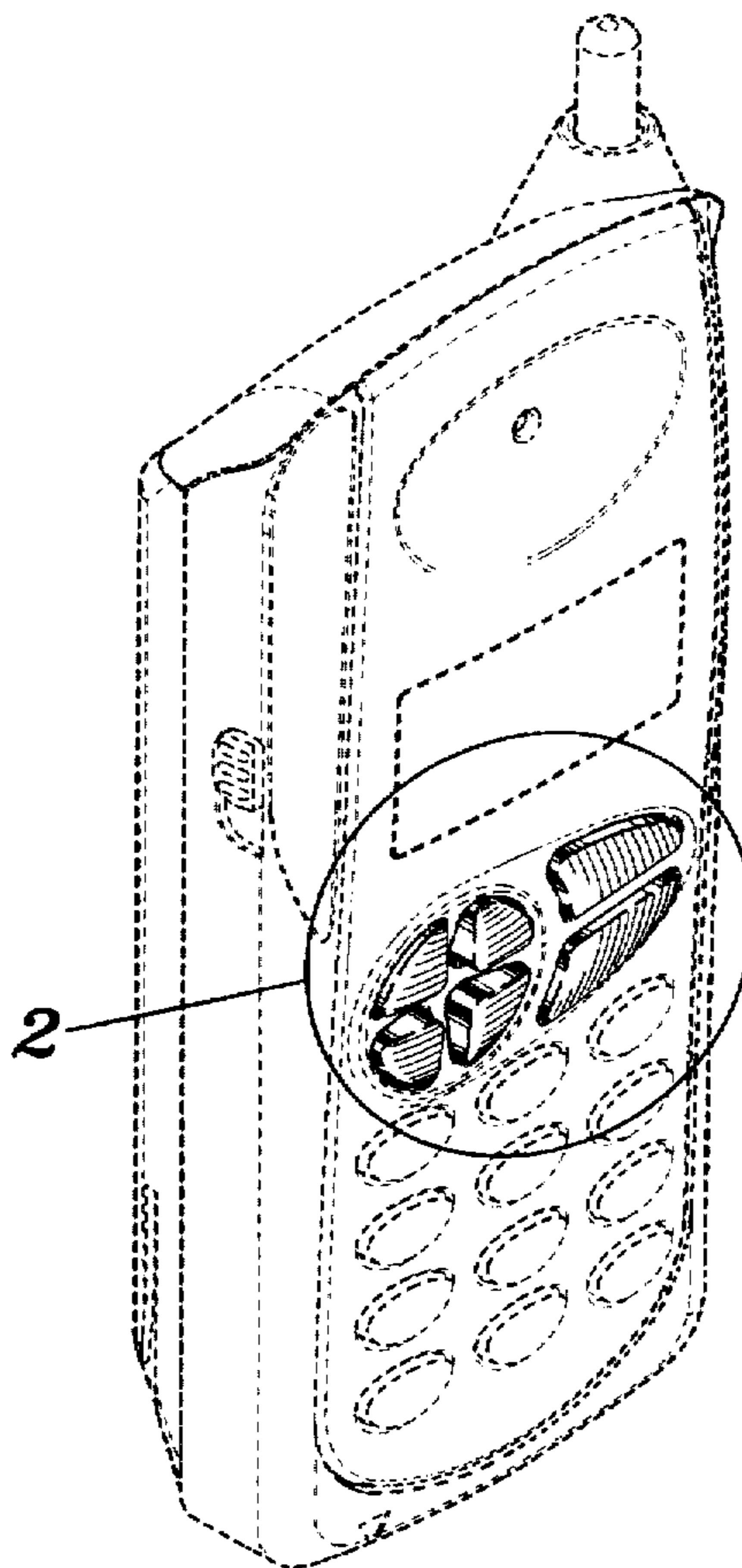
DESCRIPTION

FIG. 1 is a front, top, and left side perspective view of a key arrangement with the broken line matter being for illustrative purposes only and forming no part of the claimed design;

FIG. 2 is a partial enlarged view of the key arrangement depicted in enclosure 2 of FIG. 1 with the broken line matter for illustrative purposes only and forming no part of the claimed design; and,

FIG. 3 is a front elevational view of the key arrangement of FIG. 1 with the broken line matter being for illustrative purposes only and forming no part of the claimed design.

1 Claim, 2 Drawing Sheets



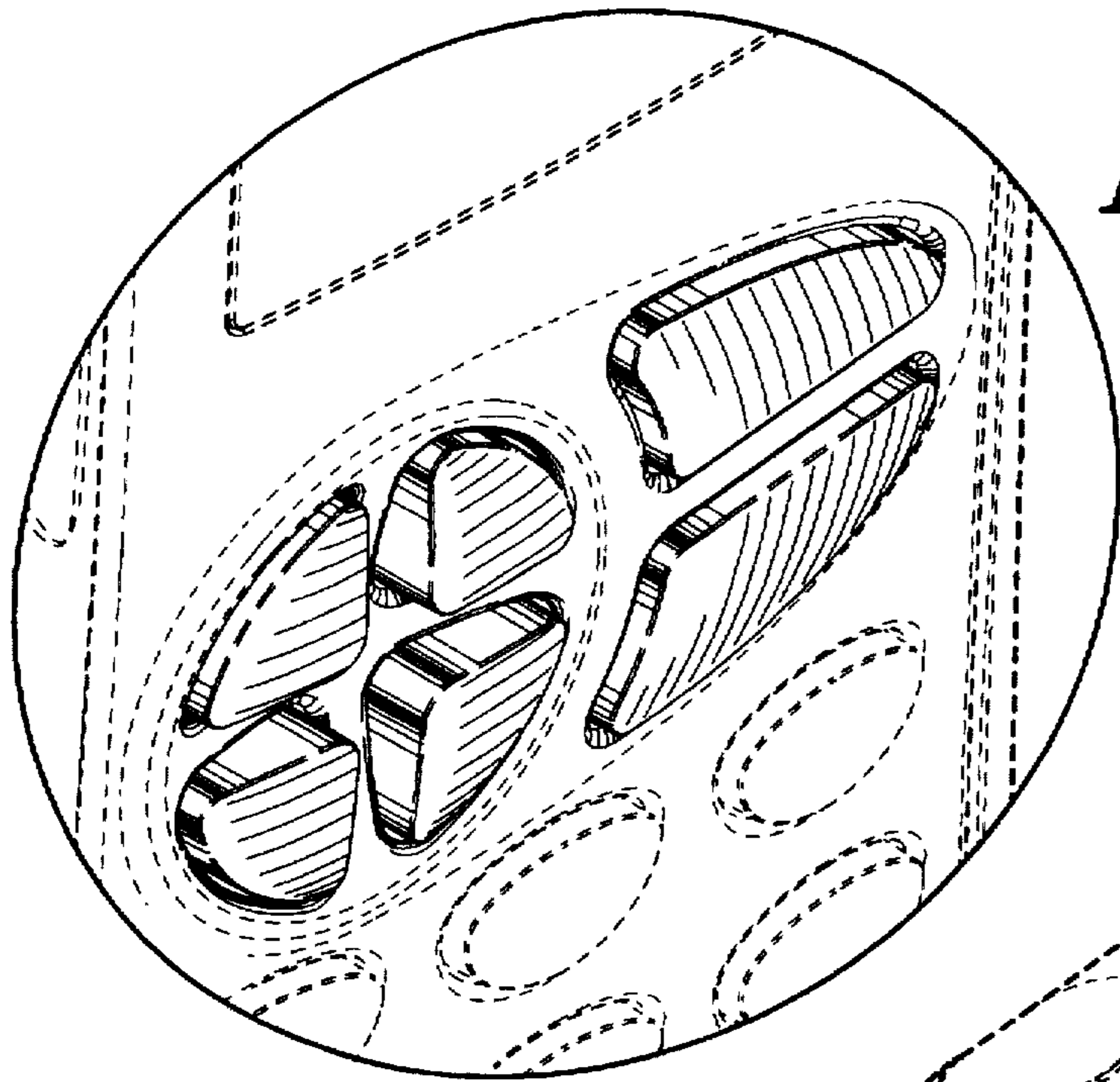


FIG. 2

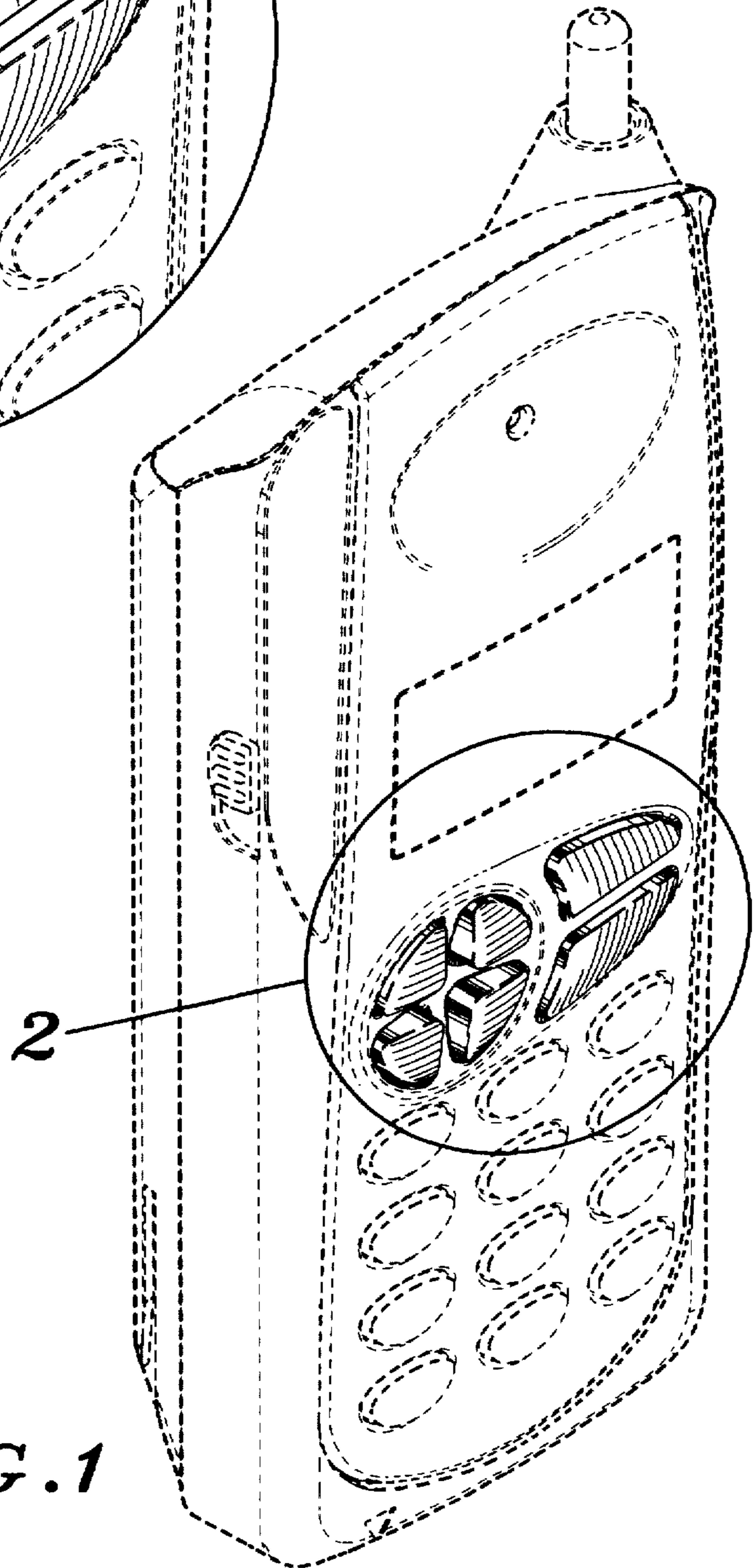


FIG. 1

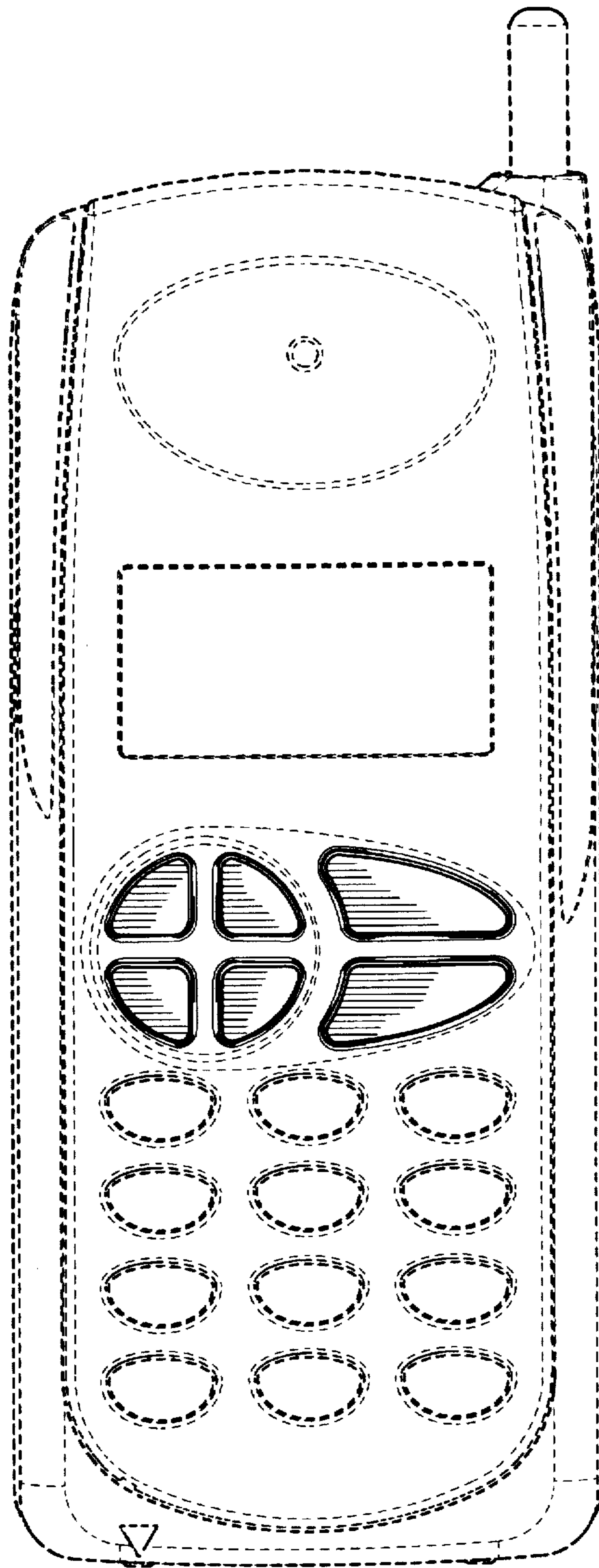


FIG. 3