



US00D389155S

United States Patent [19]

Inoue

[11] Patent Number: **Des. 389,155**

[45] Date of Patent: ****Jan. 13, 1998**

[54] PARABOLIC ANTENNA

[75] Inventor: **Shigemi Inoue**, Hyogo-ken, Japan

[73] Assignee: **DX Antenna Company, Limited**, Hyogo-ken, Japan

[**] Term: **14 Years**

[21] Appl. No.: **55,114**

[22] Filed: **May 29, 1996**

[51] LOC (6) Cl. **14-03**

[52] U.S. Cl. **D14/231**

[58] Field of Search **D14/230-238;**
343/878, 880, 840, 872, 881, 763, 720,
912, 908, 907, 761

[56] References Cited

U.S. PATENT DOCUMENTS

D. 303,972	10/1989	Uozumi	D14/231
D. 329,052	9/1992	Keane et al.	D14/231
D. 362,443	9/1995	Inoue	D14/231
D. 362,444	9/1995	Schneeman	D14/231
2,534,271	12/1950	Kienow	D14/231 X
4,649,675	3/1987	Moldovan	343/878 X
5,554,998	9/1996	Sherwood et al.	343/880 X
5,576,722	11/1996	Bustillos	343/880 X

FOREIGN PATENT DOCUMENTS

HEI 7-29906 6/1995 Japan .
HEI 7-29913 6/1995 Japan .

Primary Examiner—Jeffrey Asch
Attorney, Agent, or Firm—N. Stephan Kinsella; William H. Murray

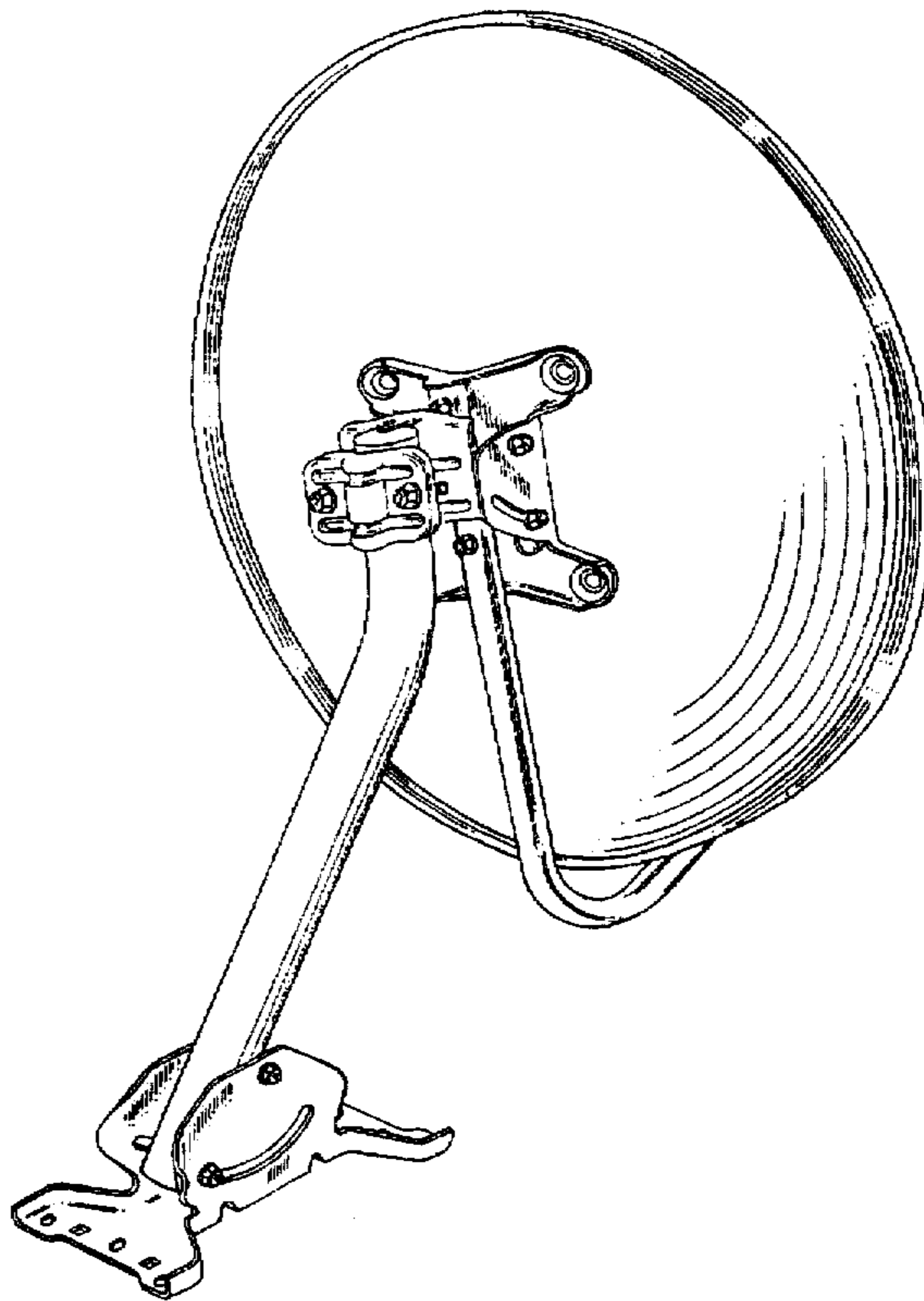
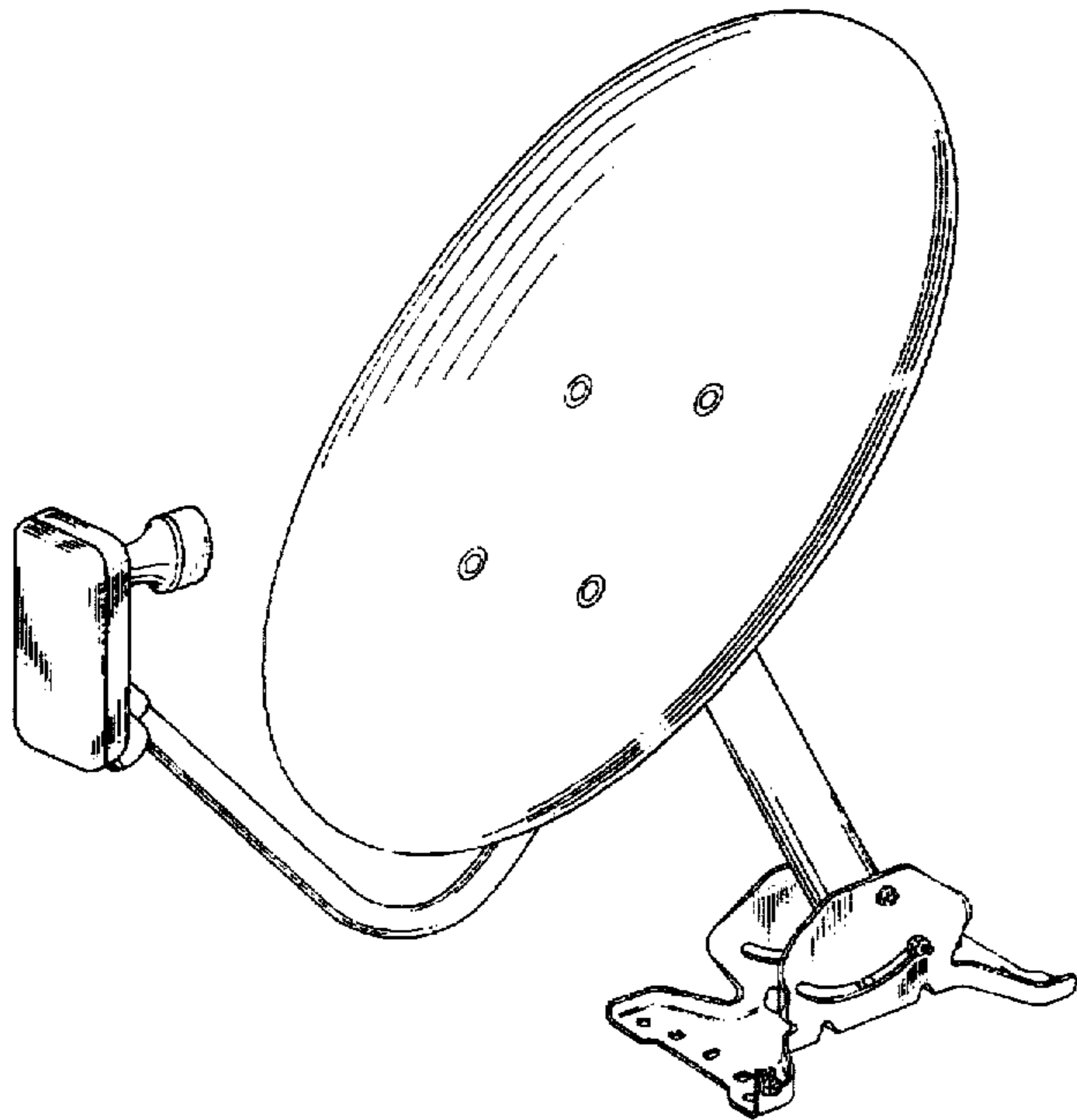
[57] CLAIM

The ornamental design for a parabolic antenna, as shown and described.

DESCRIPTION

FIG. 1 is a front and right side perspective view of a parabolic antenna showing my new design;
FIG. 2 is a rear and left side perspective view thereof;
FIG. 3 is a front elevational view thereof;
FIG. 4 is a rear elevational view thereof;
FIG. 5 is a right side elevational view thereof;
FIG. 6 is a left side elevational view thereof;
FIG. 7 is a top plan view thereof;
FIG. 8 is a bottom plan view thereof; and,
FIG. 9 is a cross-sectional view thereof along a line A—A in FIG. 3.

1 Claim, 9 Drawing Sheets



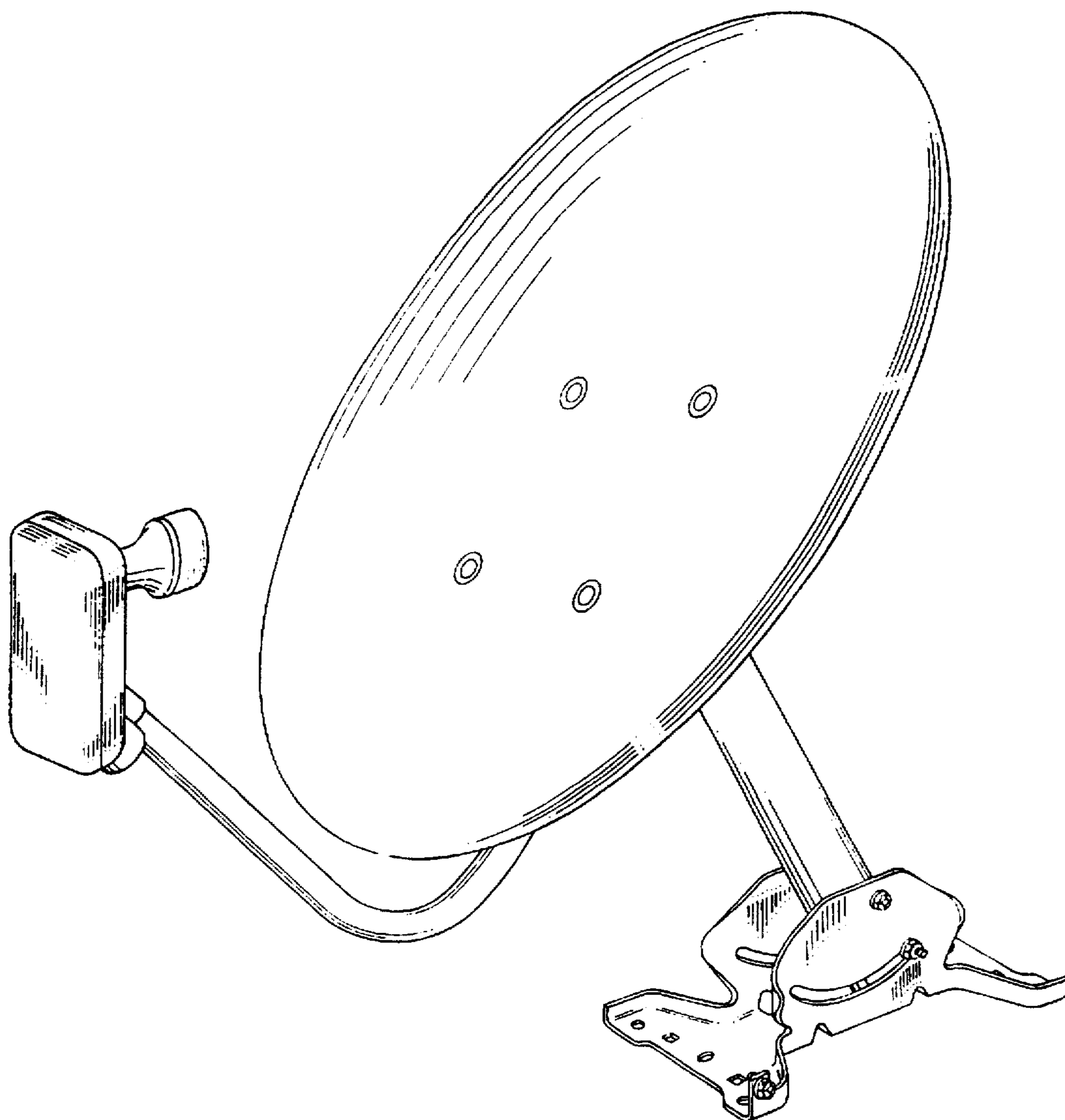
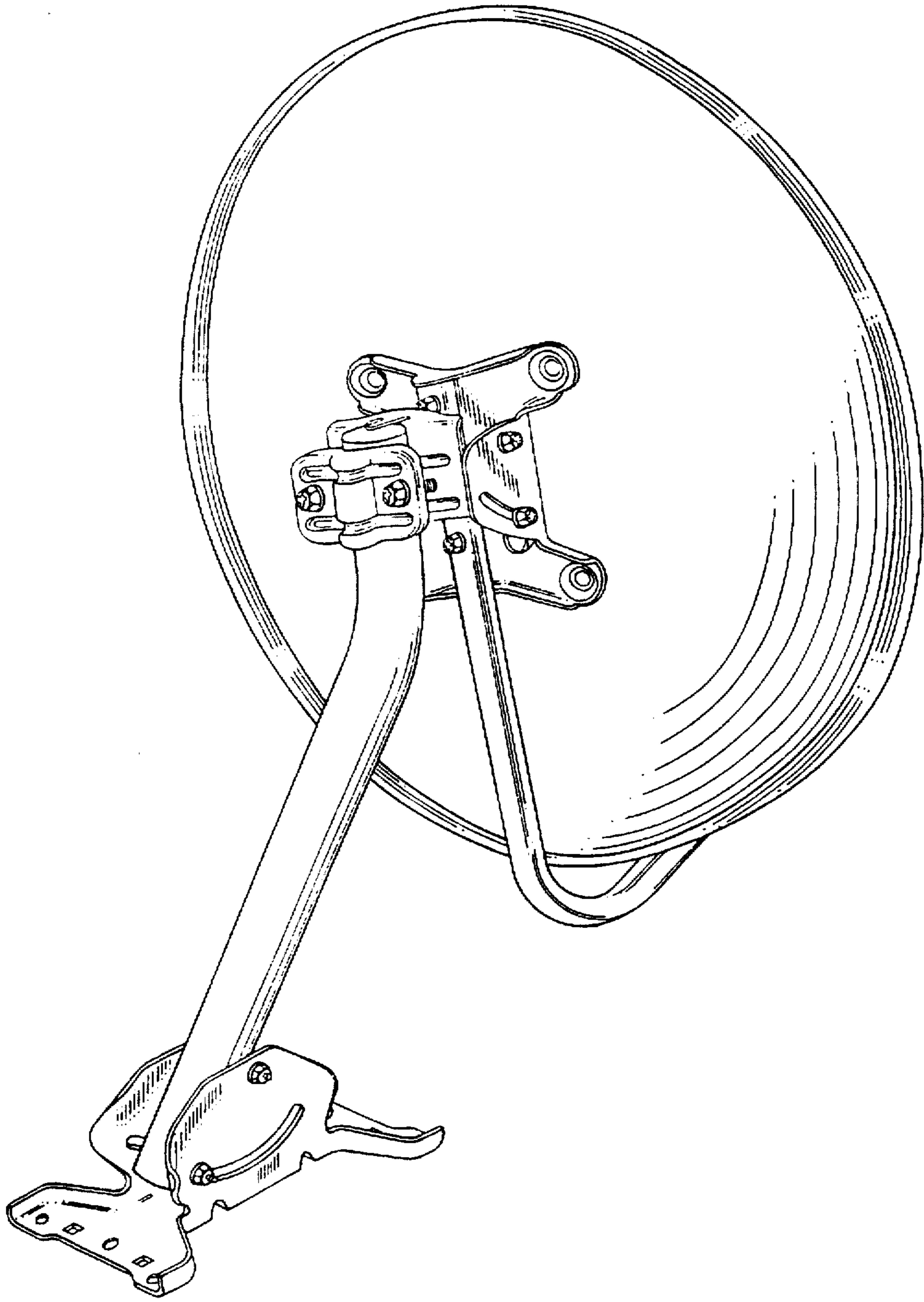


FIG. 1



F I G . 2

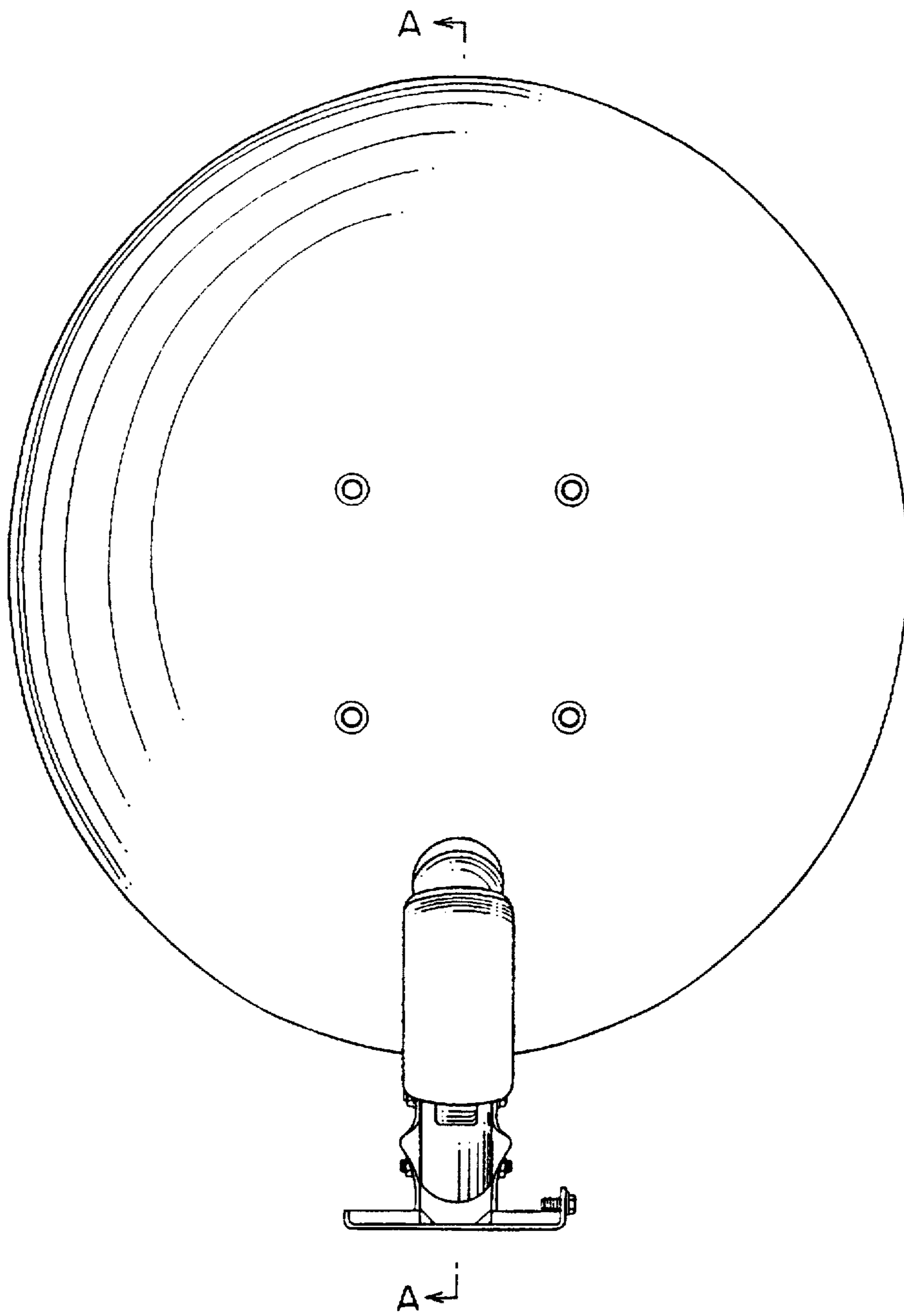
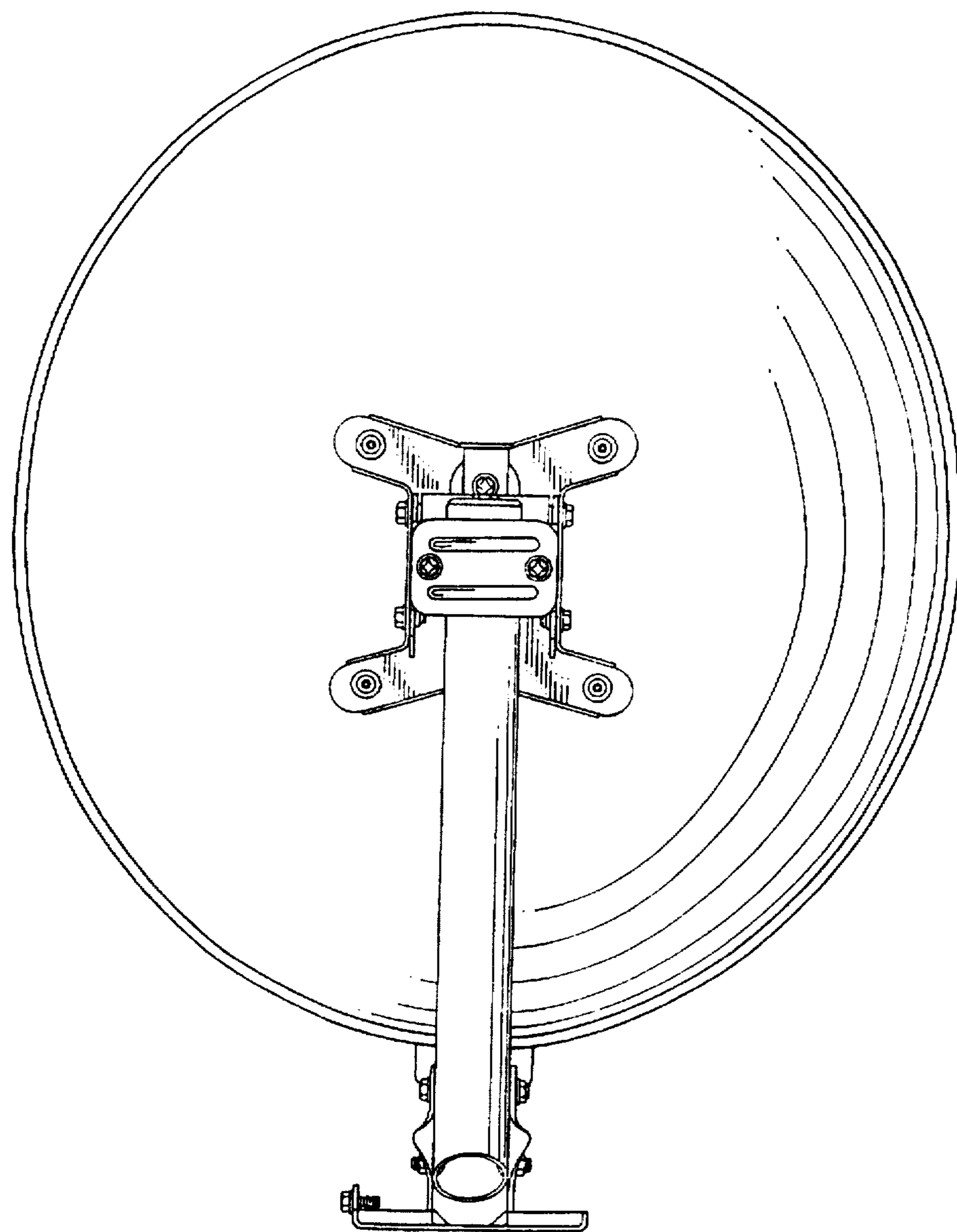


FIG. 3



F I G . 4

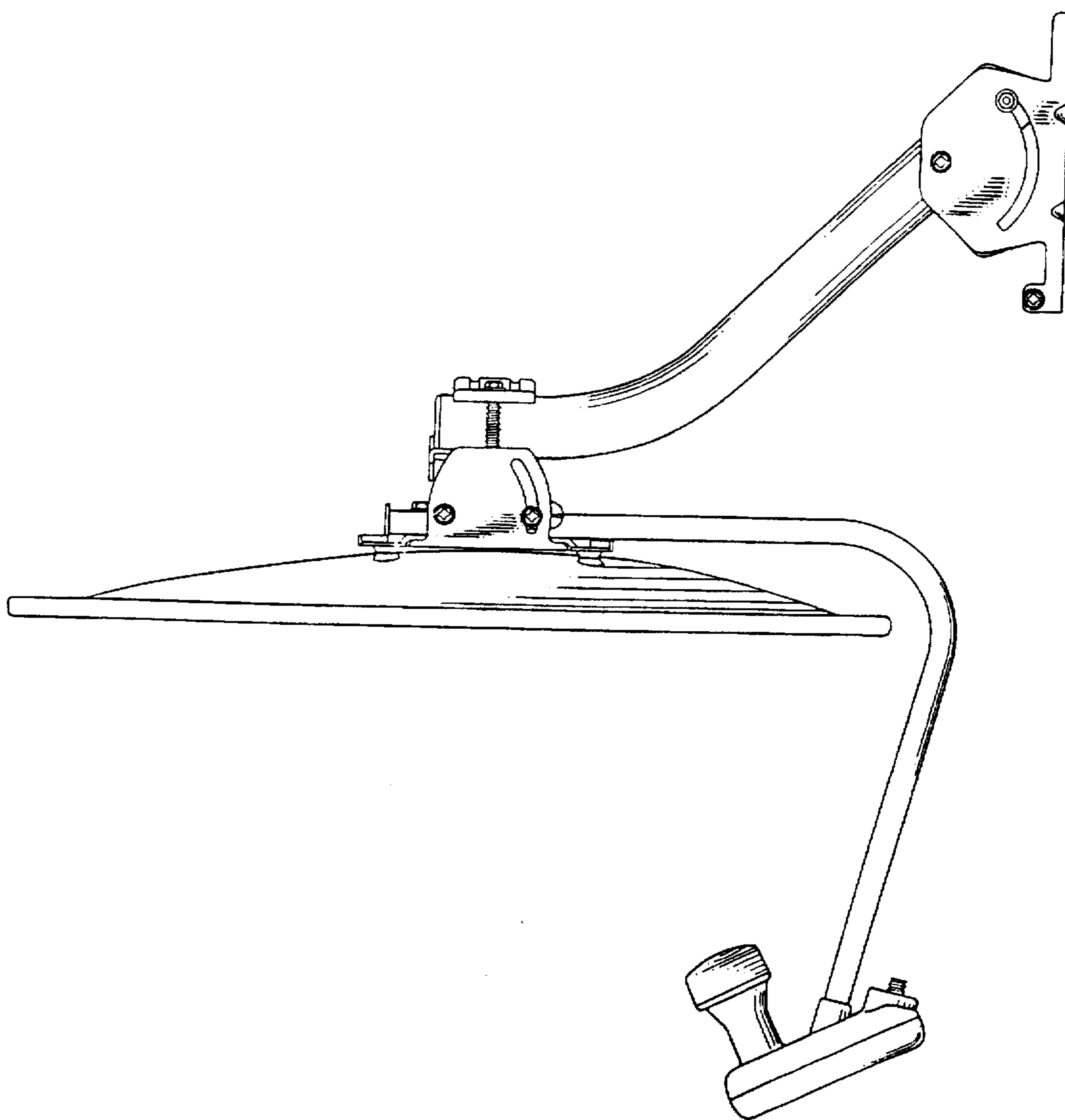


FIG. 5

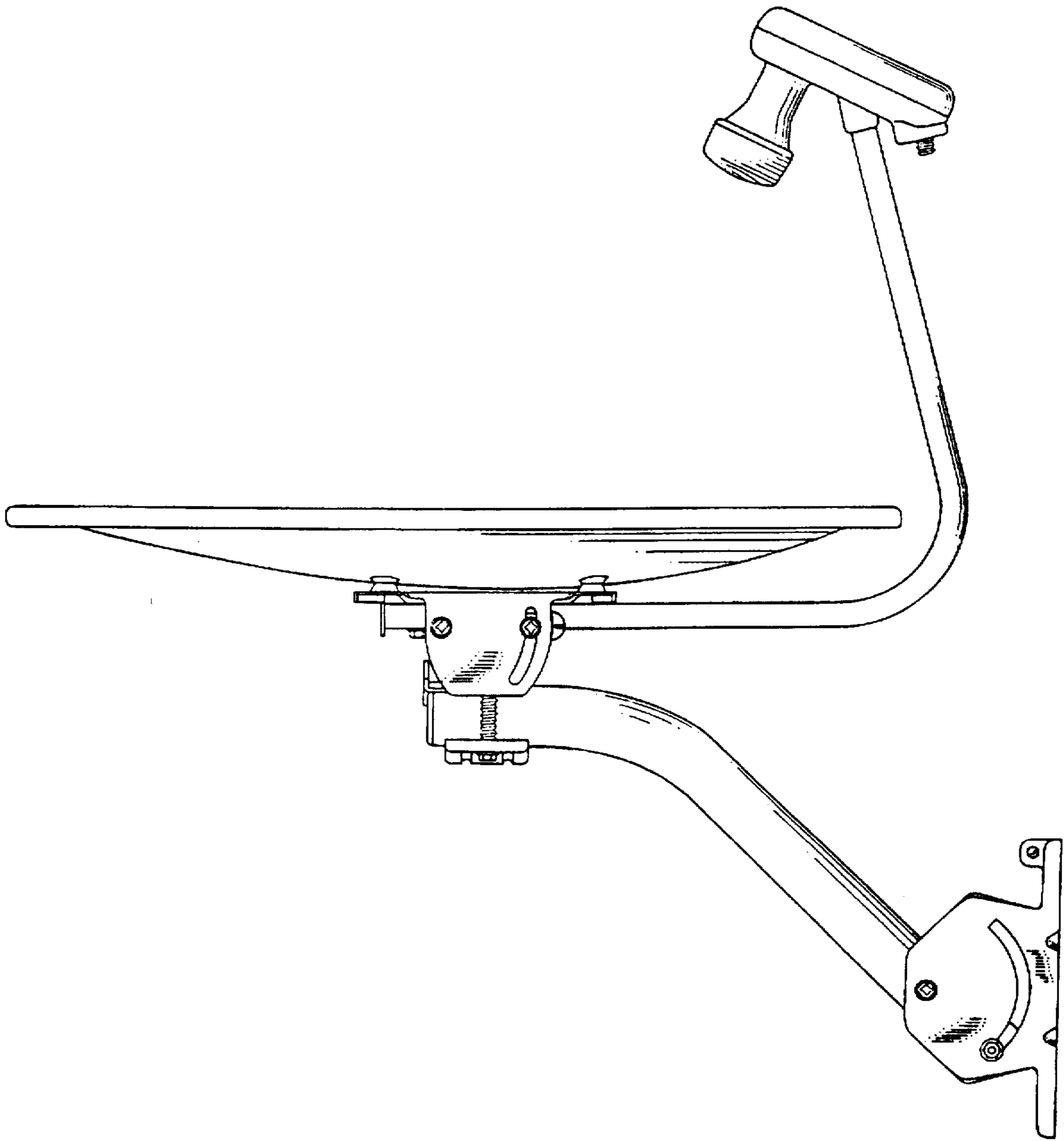
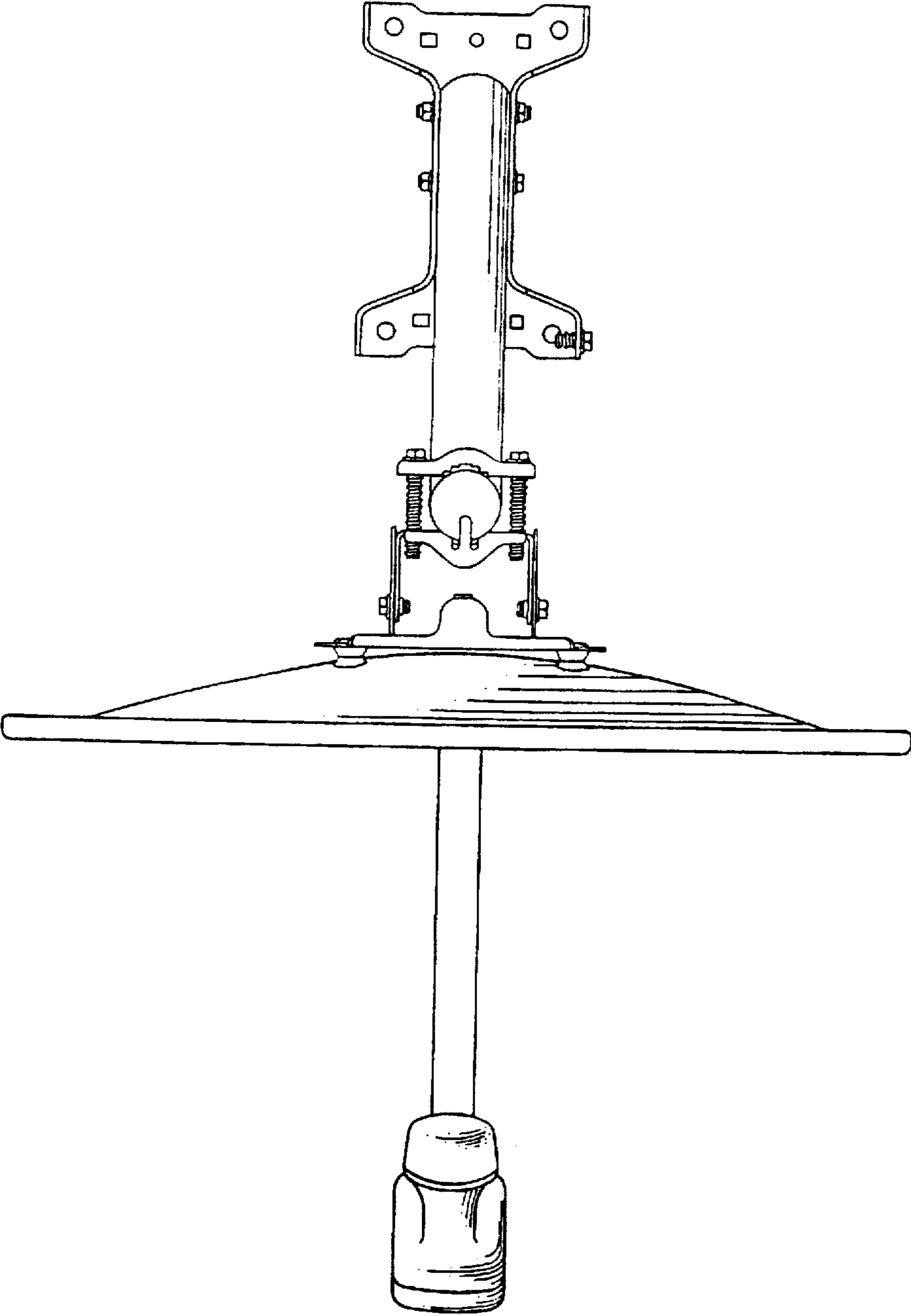
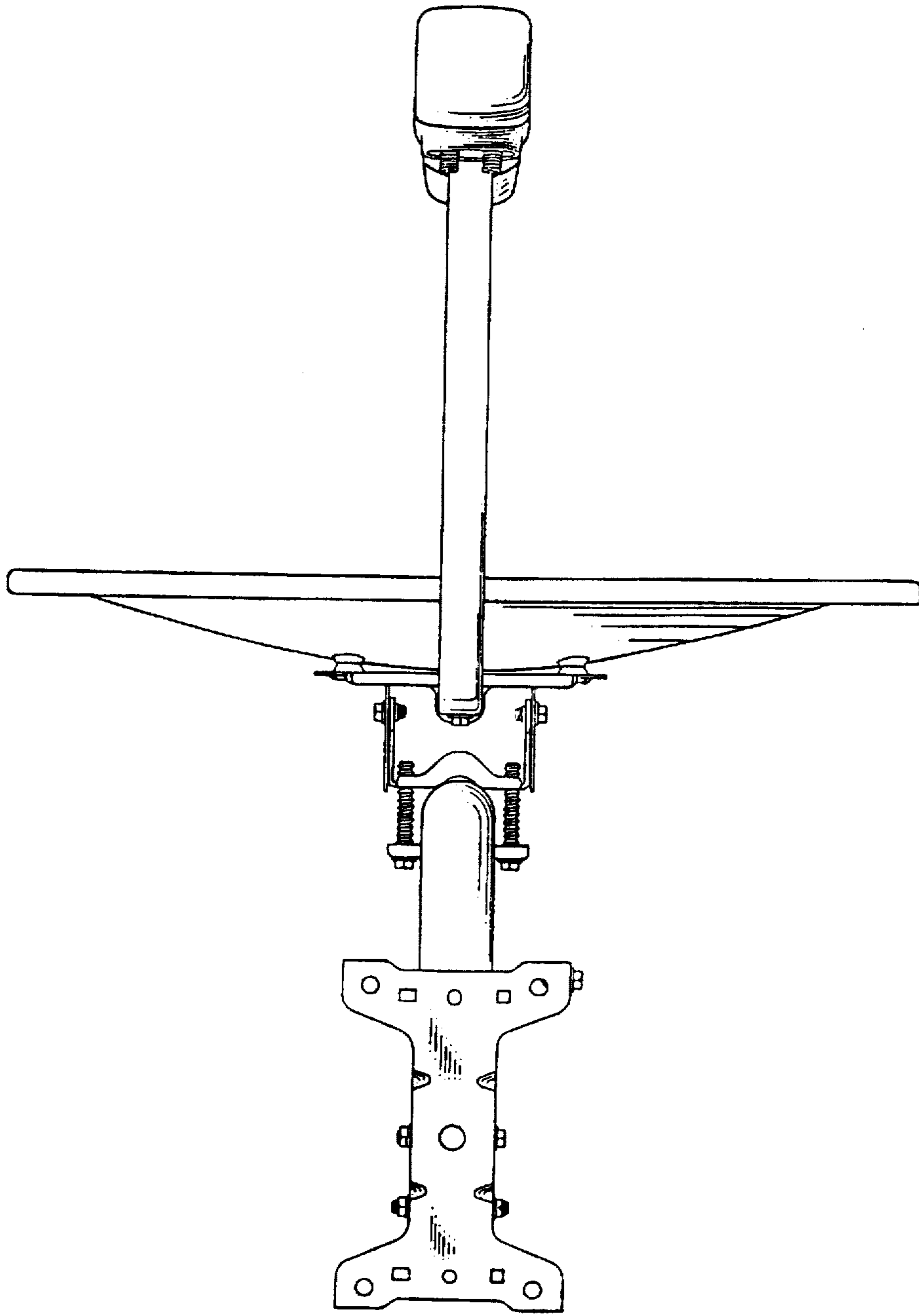


FIG. 6



F I G . 7



F I G . 8

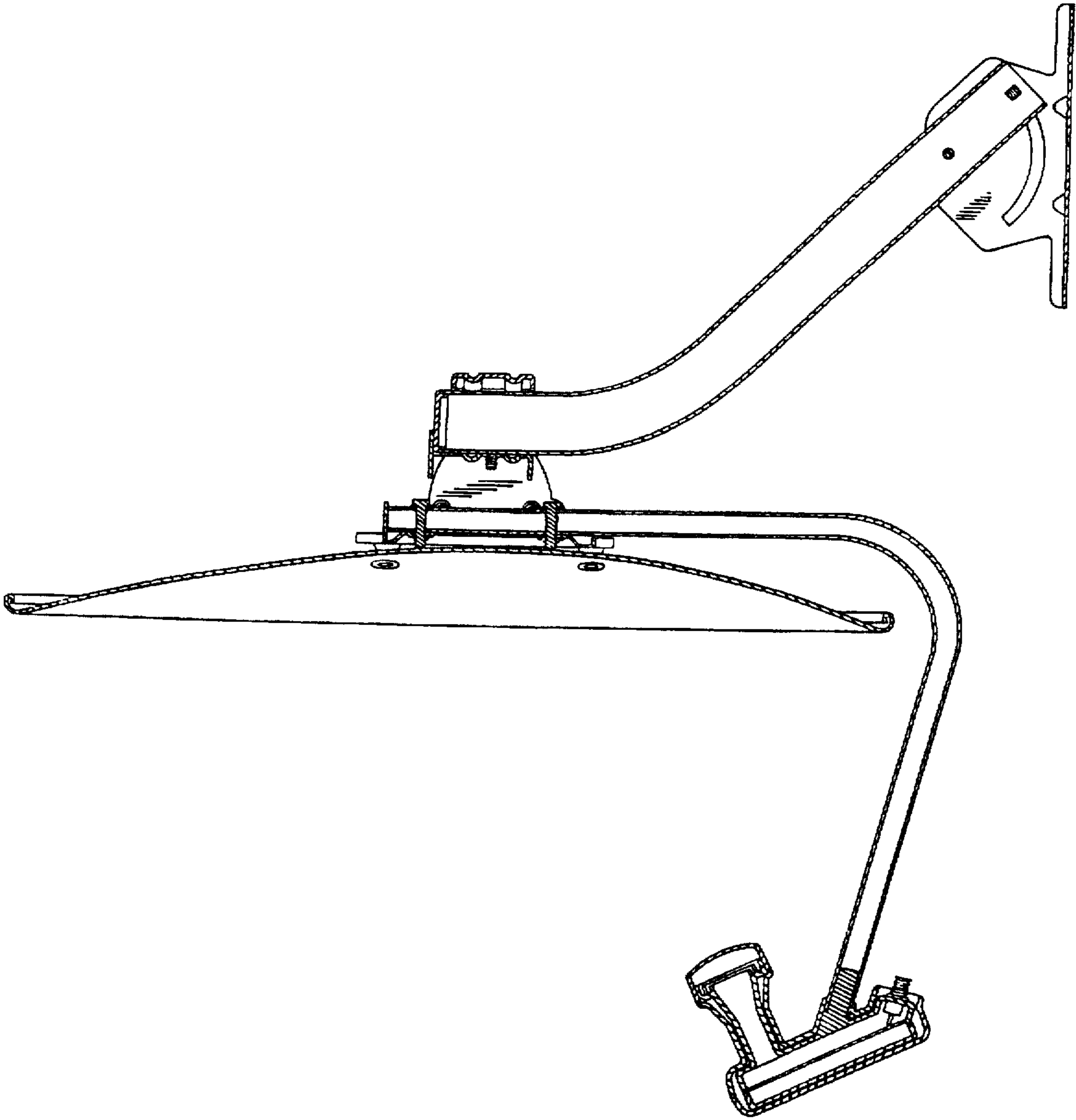


FIG. 9