

US00D389153S

United States Patent [19]
Litzau

[11] **Patent Number: Des. 389,153**

[45] **Date of Patent: **Jan. 13, 1998**

- [54] **MICROPHONE ATTACHABLE TO COMPUTER MONITOR**
- [75] Inventor: **Eugene D. Litzau**, New Prague, Minn.
- [73] Assignee: **Telex Communications, Inc.**, Minneapolis, Minn.
- [**] Term: **14 Years**
- [21] Appl. No.: **64,064**
- [22] Filed: **Dec. 20, 1996**
- [51] **LOC (6) Cl.** **14-01**
- [52] **U.S. Cl.** **D14/228; D14/229; D14/114**
- [58] **Field of Search** **D14/114, 206, D14/225-229, 299; 181/158, 242; 381/91, 122, 168, 169**

3,560,668 2/1971 Warning 181/158 X

Primary Examiner—Sandra L. Morris
Assistant Examiner—Nanda Bondade
Attorney, Agent, or Firm—Gregory P. Kaihoi

[57] **CLAIM**

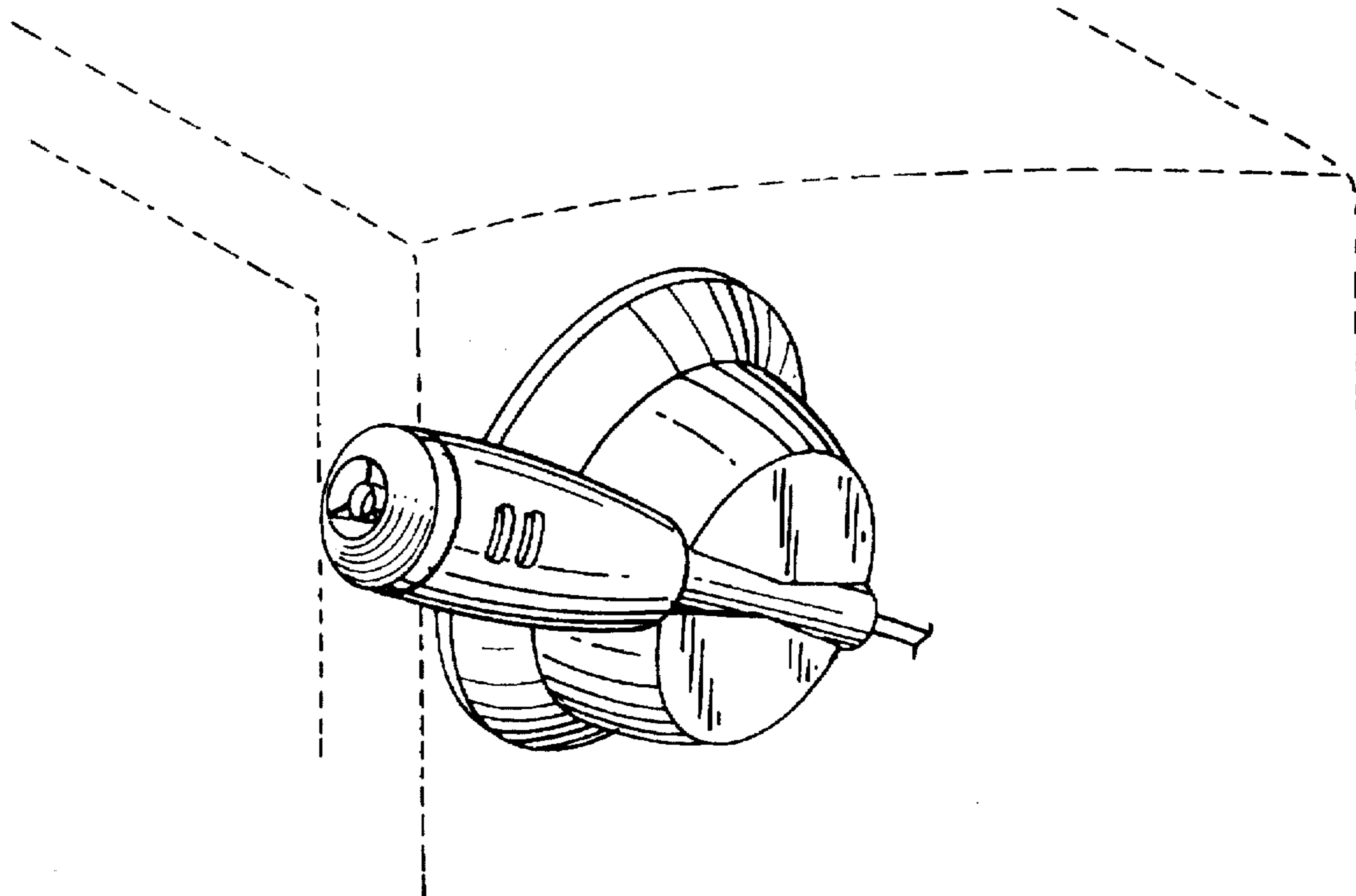
The ornamental design for a microphone attachable to computer monitor, as shown and described.

DESCRIPTION

FIG. 1 is a front, top, and right side perspective view of the microphone attachable to computer monitor, the broken line showing of the monitor is for illustrative purposes only and forms no part of the claimed design;
FIG. 2 is a right side view thereof;
FIG. 3 is a left side view thereof;
FIG. 4 is a front view thereof;
FIG. 5 is a rear view thereof;
FIG. 6 is a top view thereof; and,
FIG. 7 is a bottom view thereof.
The wire is shown broken away on FIGS. 1-3 and 5-7 for ease of illustration.

- [56] **References Cited**
- U.S. PATENT DOCUMENTS**
- D. 357,481 4/1995 Giuntoli et al. D14/227
- D. 365,564 12/1995 Luther et al. D14/228 X
- D. 368,719 4/1996 Luther D14/228
- 3,414,686 12/1968 Reinthaler 181/242

1 Claim, 2 Drawing Sheets



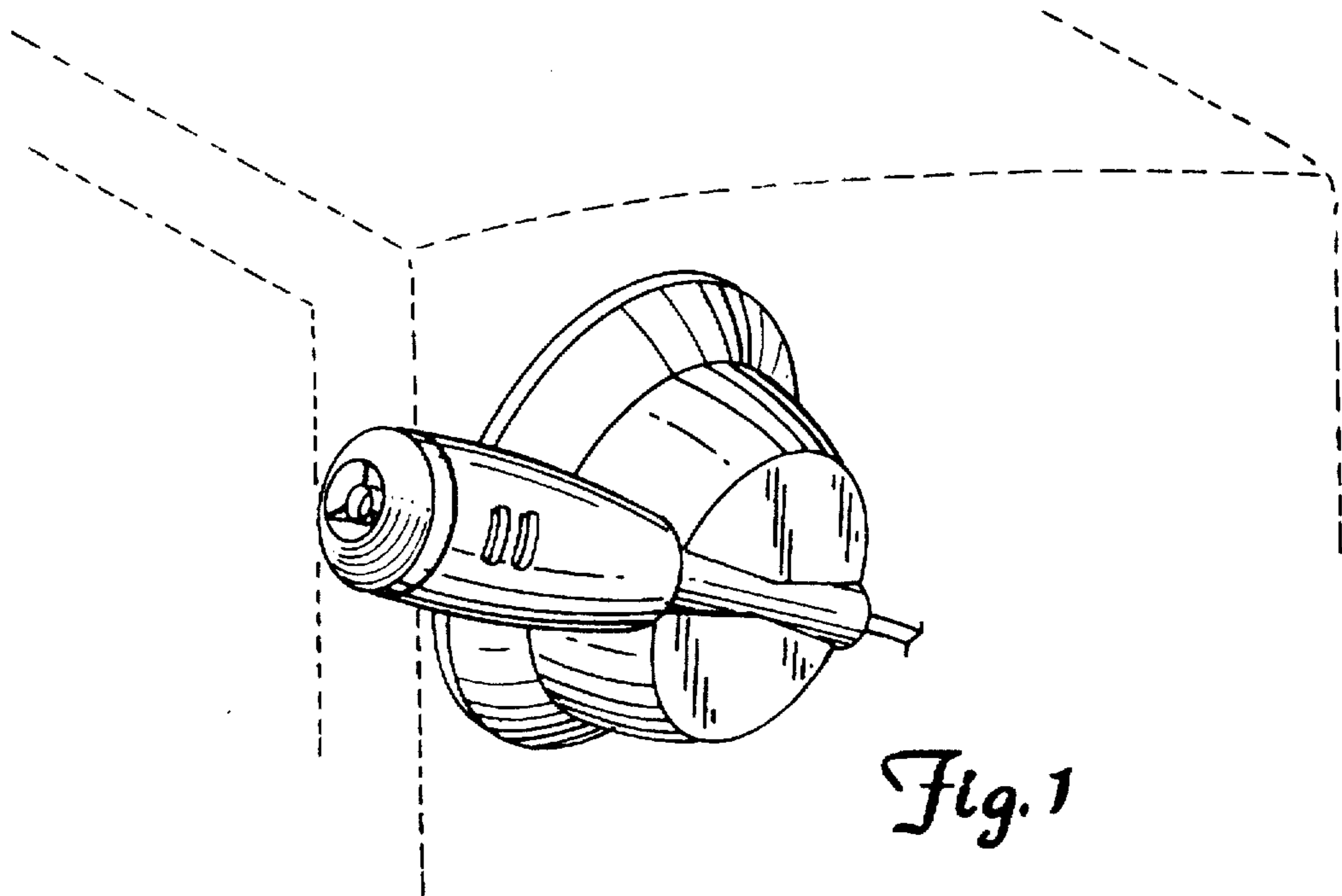


Fig. 1

Fig. 2

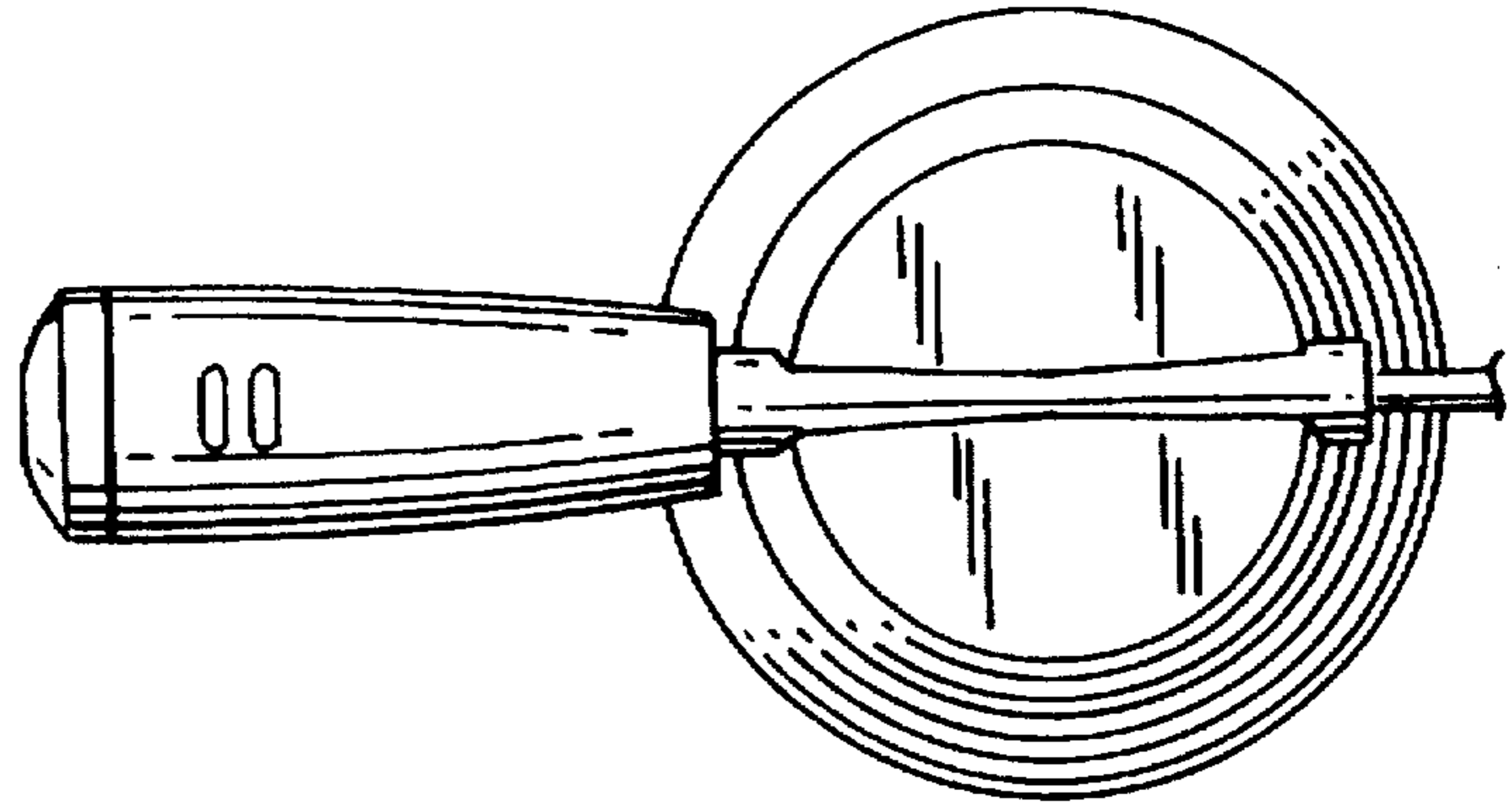


Fig. 3

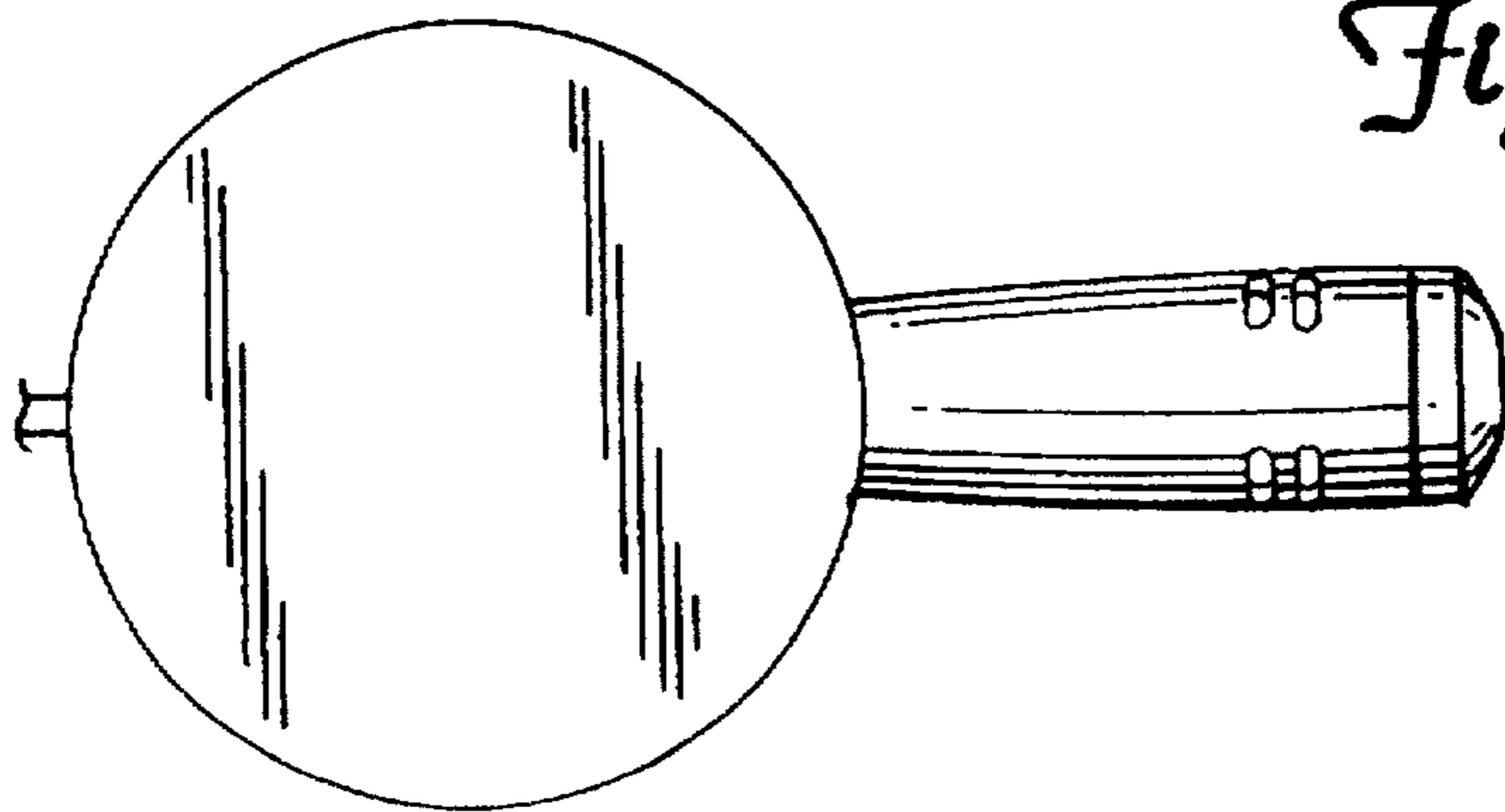


Fig. 4

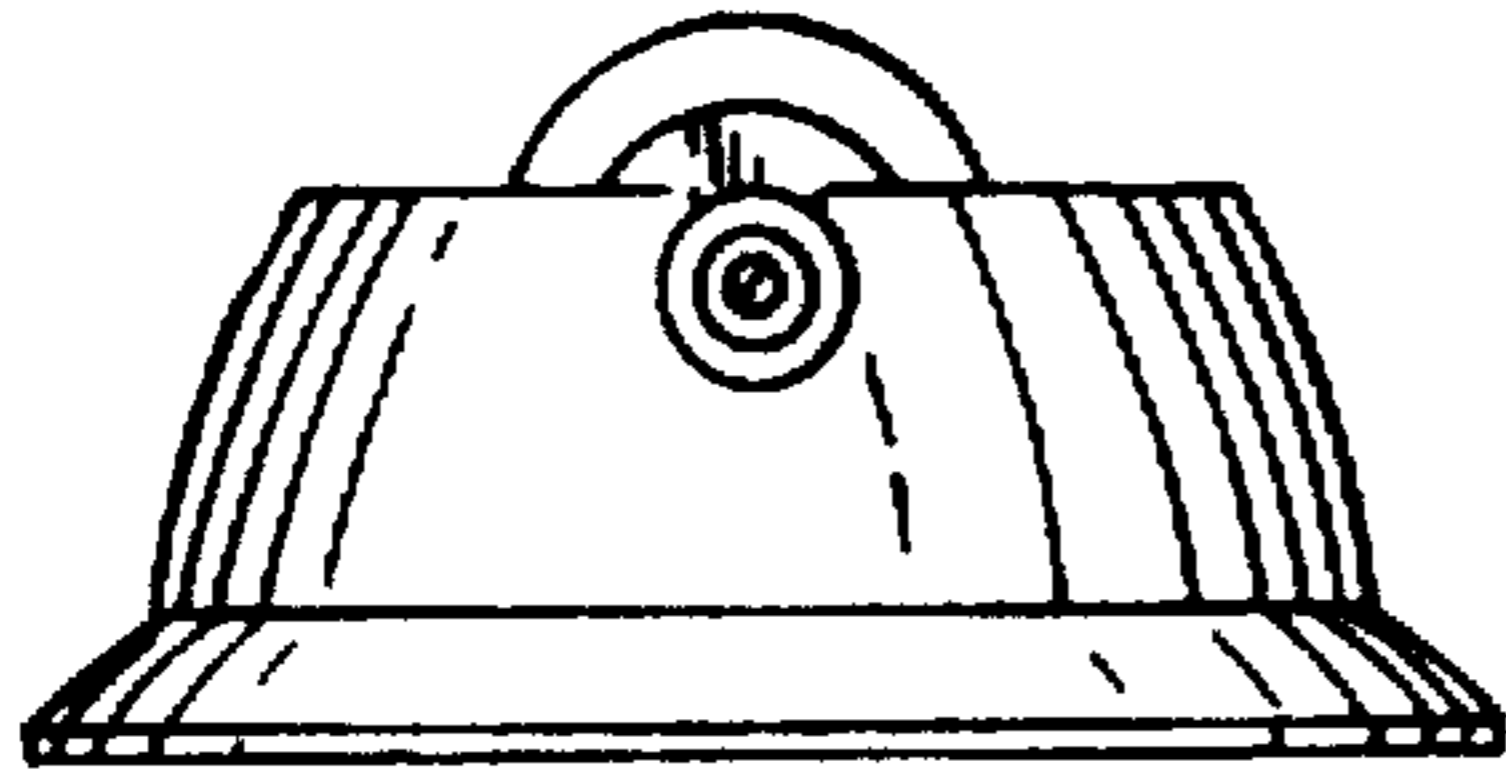
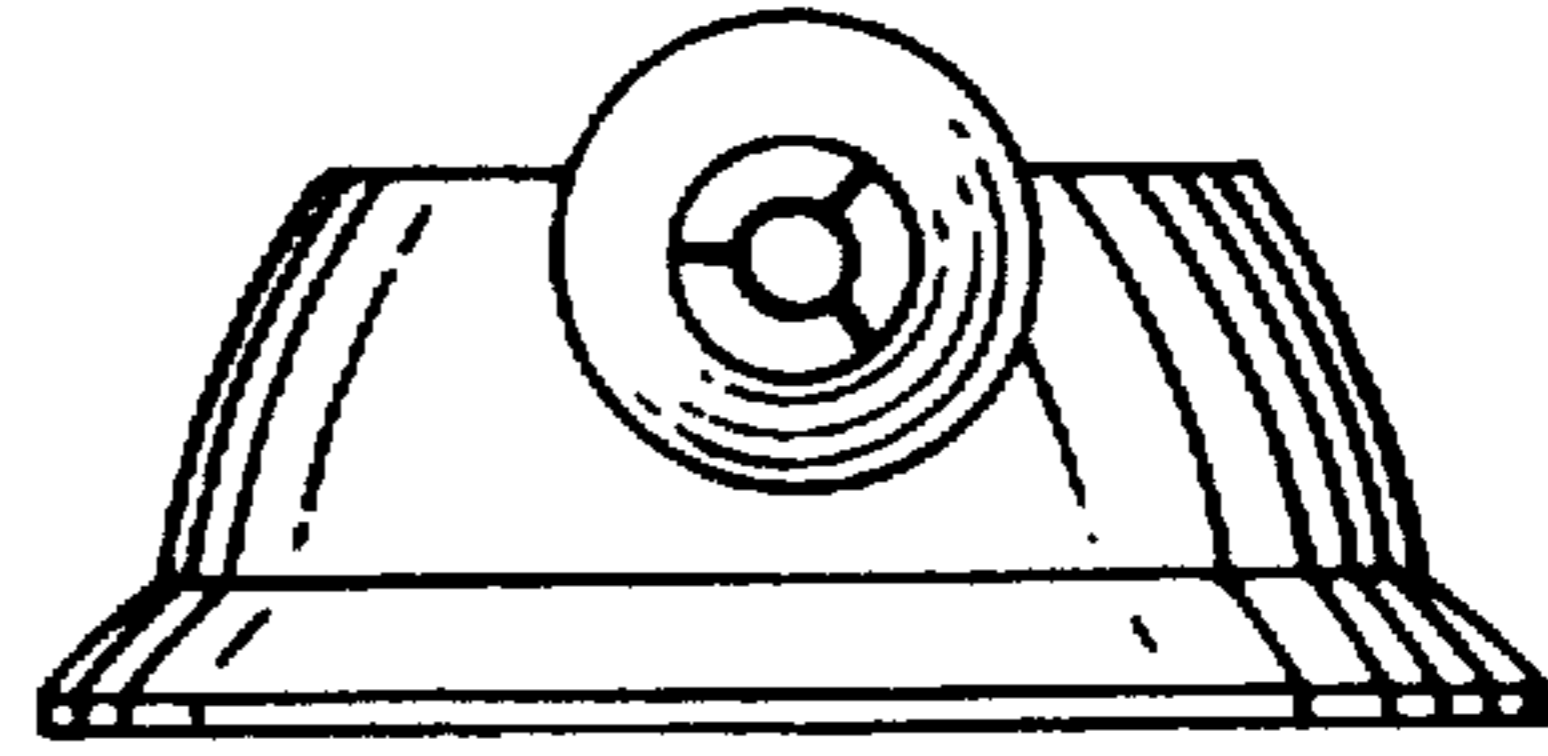


Fig. 5

Fig. 6

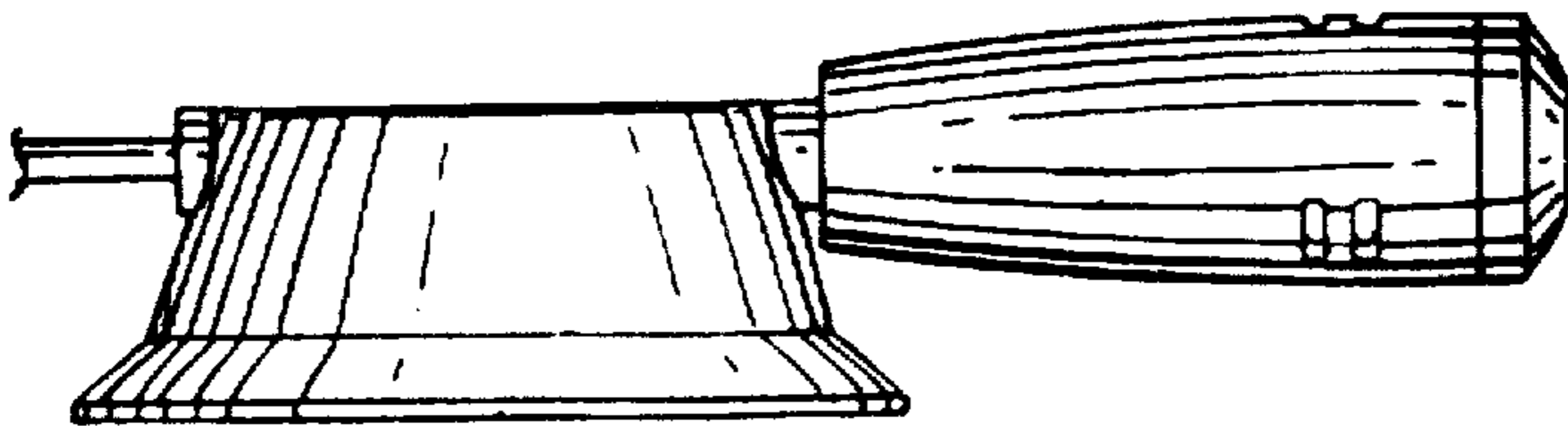
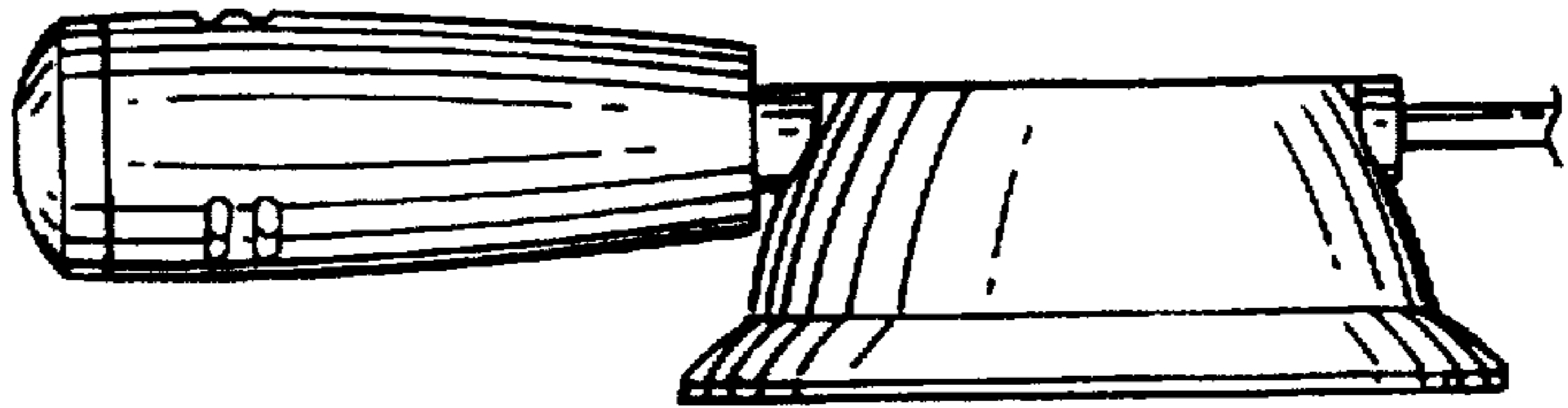


Fig. 7