



US00D389152S

United States Patent [19] Kurihara

[11] Patent Number: Des. 389,152

[45] Date of Patent: **Jan. 13, 1998

[54] **SPEAKER GRILLE**

[75] Inventor: **Kazumasa Kurihara**, Fujisawa, Japan

[73] Assignee: **Nifco Inc.**, Yokohama, Japan

[**] Term: **14 Years**

[21] Appl. No.: **51,020**

[22] Filed: **Mar. 1, 1996**

[30] **Foreign Application Priority Data**

Sep. 4, 1995 [JP] Japan 7-25908
Sep. 4, 1995 [JP] Japan 7-25909

[51] **LOC (6) Cl.** **14-01**

[52] **U.S. Cl.** **D14/219; D14/215**

[58] **Field of Search** **D14/124, 204-216, D14/219-222, 299; 181/144, 148, 150, 157, 199; 381/24, 88, 90, 159, 186**

[56] **References Cited**

U.S. PATENT DOCUMENTS

D. 230,996	3/1974	Sandler	D14/219
D. 289,894	5/1987	Ohtsuji et al.	D14/219
D. 317,159	5/1991	Kurata et al.	D14/216
D. 323,327	1/1992	Davidson	D14/219
D. 342,948	1/1994	Furui	D14/210
D. 356,089	3/1995	Hedaya	D14/215 X
D. 362,442	9/1995	Goldfarb	D14/216
4,832,150	5/1989	Just et al.	181/150 X

FOREIGN PATENT DOCUMENTS

7-288886 10/1995 Japan .

OTHER PUBLICATIONS

Crutchfield, Fall 92, p. 45, Advent 5.7i tweeter with grille, Oct. 1992.

Parasound catalog, p. 4, speaker grille, 1992.

Primary Examiner—Sandra L. Morris
Assistant Examiner—Nanda Bondade
Attorney, Agent, or Firm—Kanesaka & Takeuchi

[57] **CLAIM**

The ornamental design for a speaker grille, as shown and described.

DESCRIPTION

FIG. 1 is a top plan view of a speaker grille showing my new design, the bottom plan view being symmetrical to the top plan view;

FIG. 2 is a front view thereof;

FIG. 3 is a right side view thereof, the left view being symmetrical to the right side view;

FIG. 4 is a rear view thereof;

FIG. 5 is a cross sectional view taken along line 5-5 in FIG. 4;

FIG. 6 is a magnified view showing a part taken along line 6-6 in FIG. 4;

FIG. 7 is a cross sectional view taken along line 7-7 in FIG. 6;

FIG. 8 is a top plan view of another embodiment of a speaker grille, the bottom plan view being symmetrical to the top plan view;

FIG. 9 is a front view thereof;

FIG. 10 is a right side view thereof, the left view being symmetrical to the right side view;

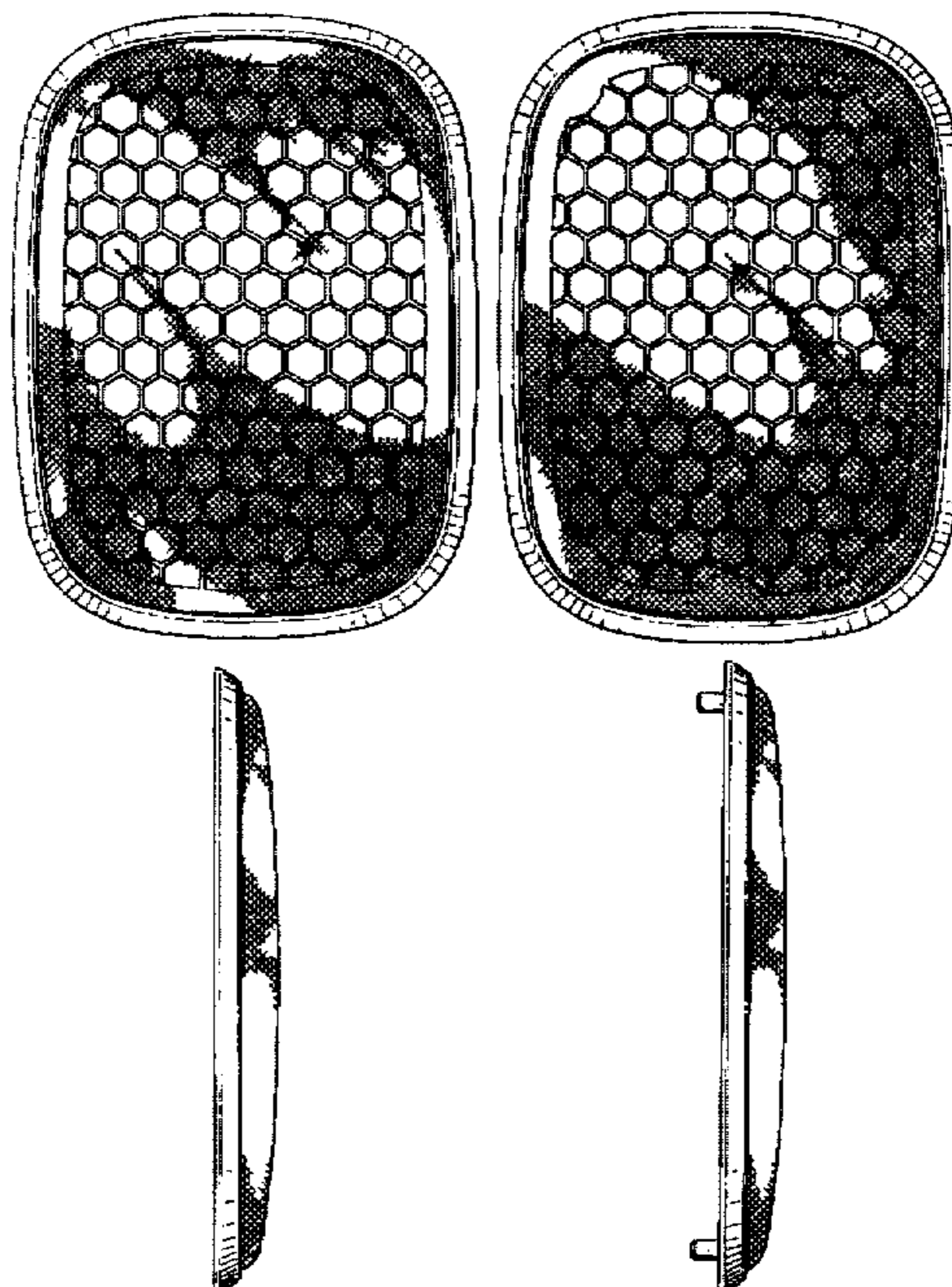
FIG. 11 is a rear view thereof;

FIG. 12 is a cross sectional view taken along line 12-12 in FIG. 11; and,

FIG. 13 is a cross sectional view taken along line 13-13 in FIG. 11.

The grille pattern shown by cross hatching in FIG. 4 schematically shows a great number of small holes as shown in FIG. 6, and the grill pattern in FIG. 4 is the same as the pattern in FIG. 6.

1 Claim, 5 Drawing Sheets



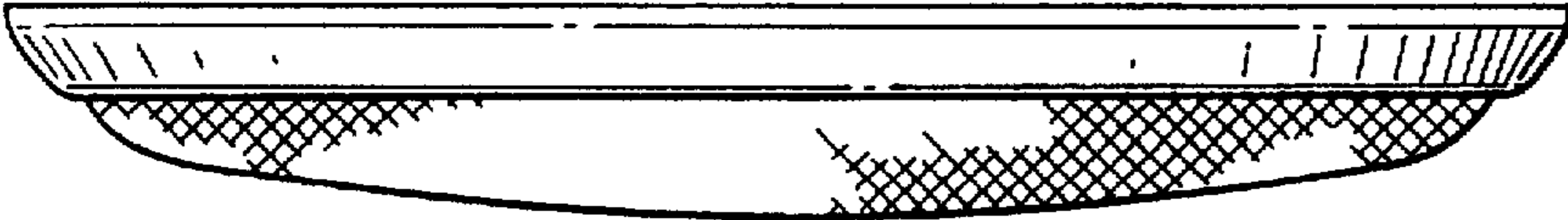


FIG. 1

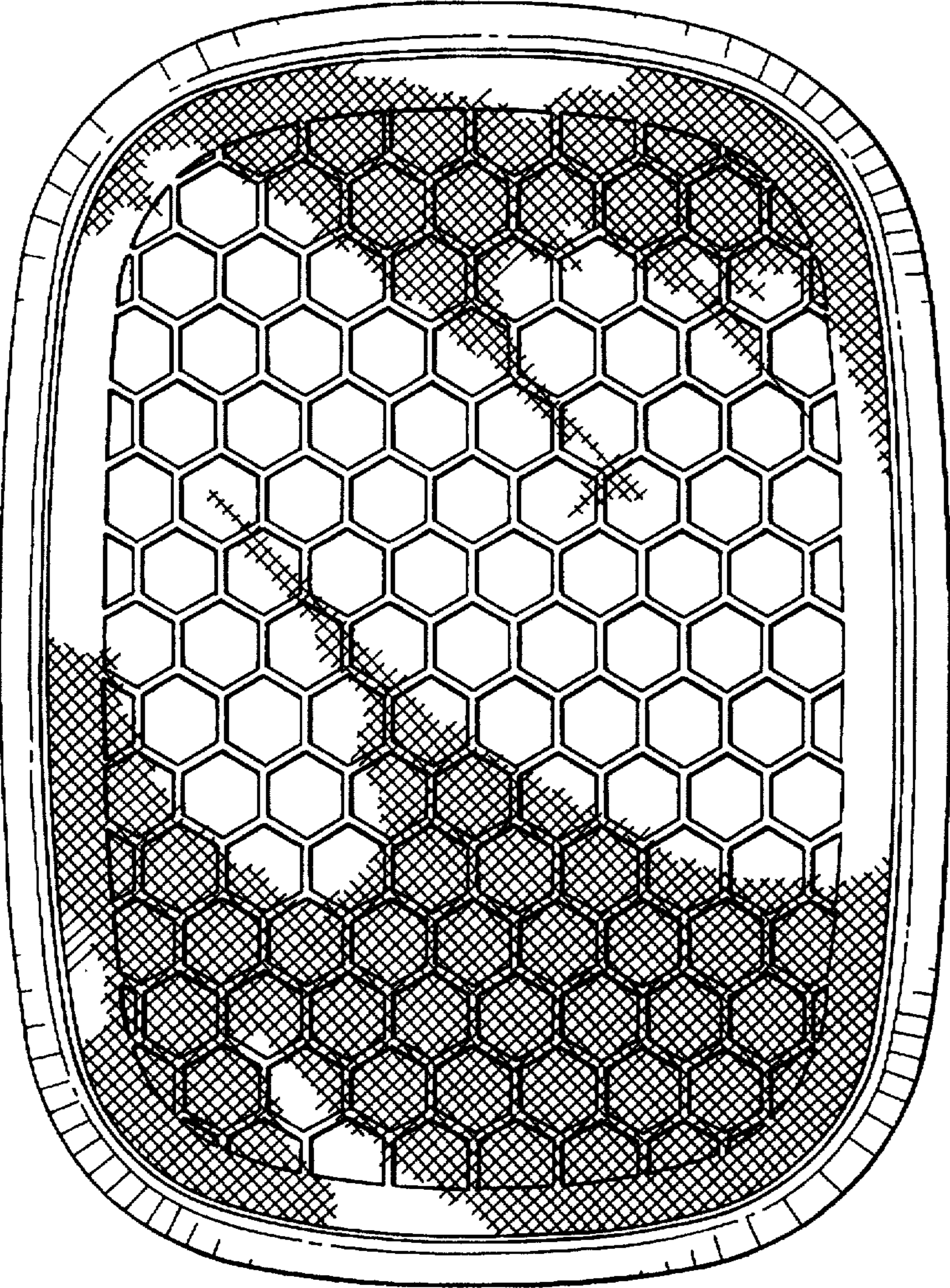


FIG. 2

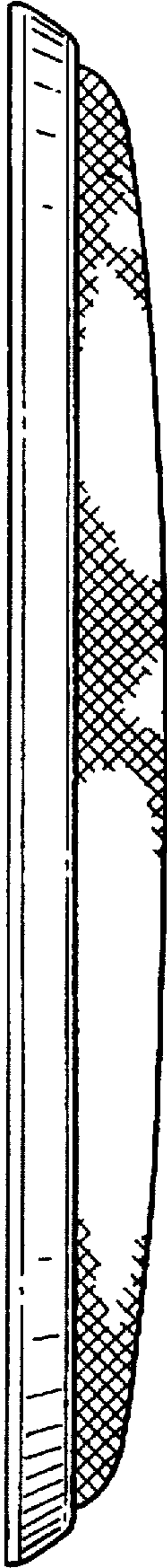


FIG. 3

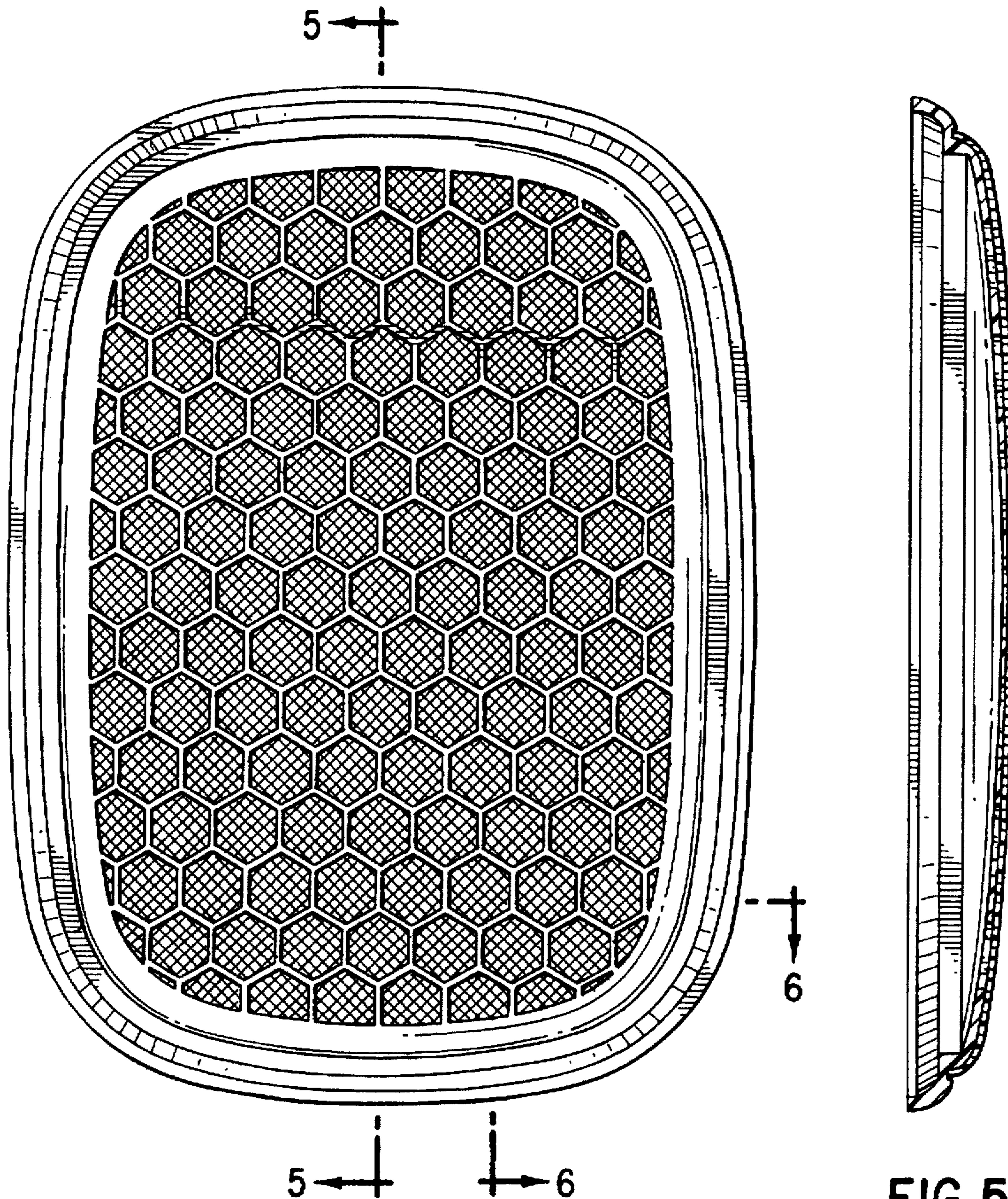
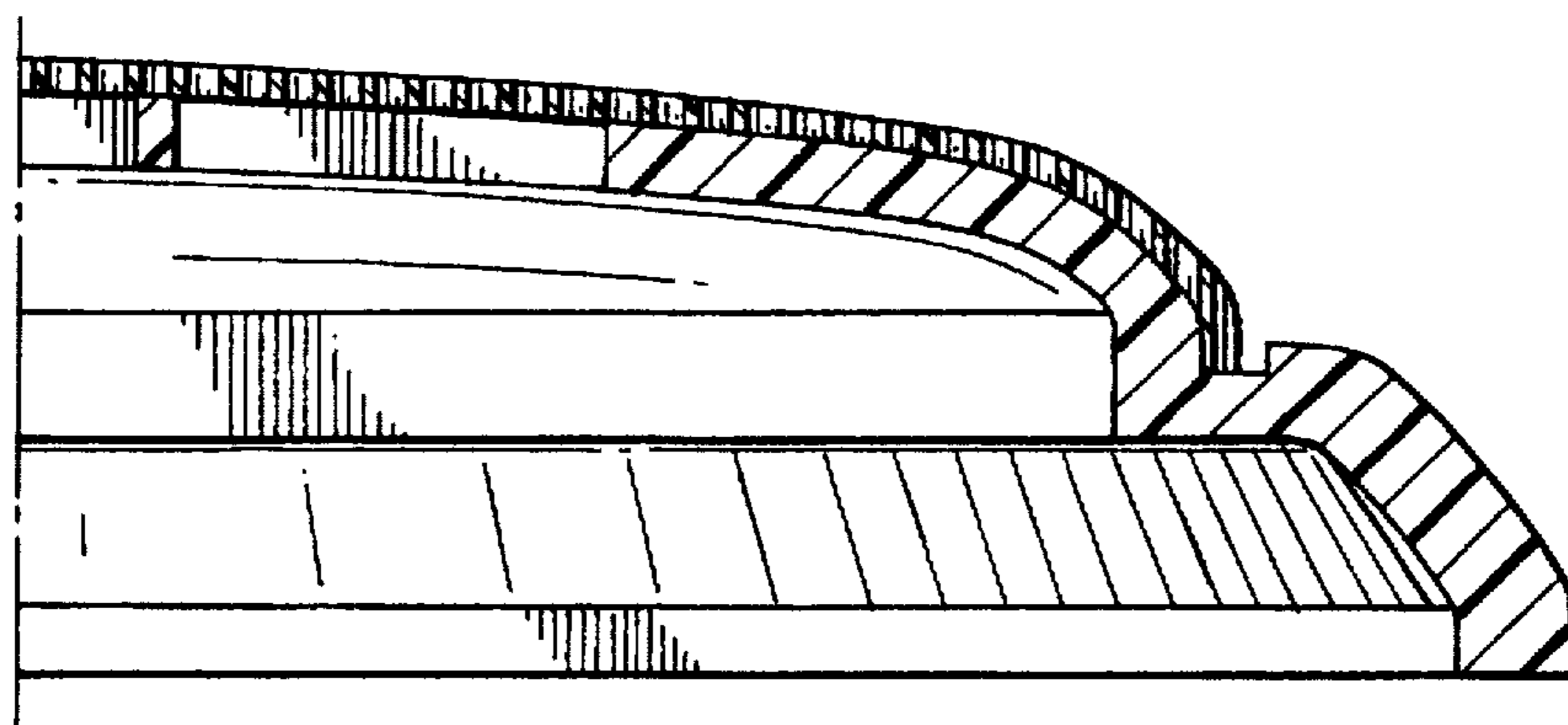
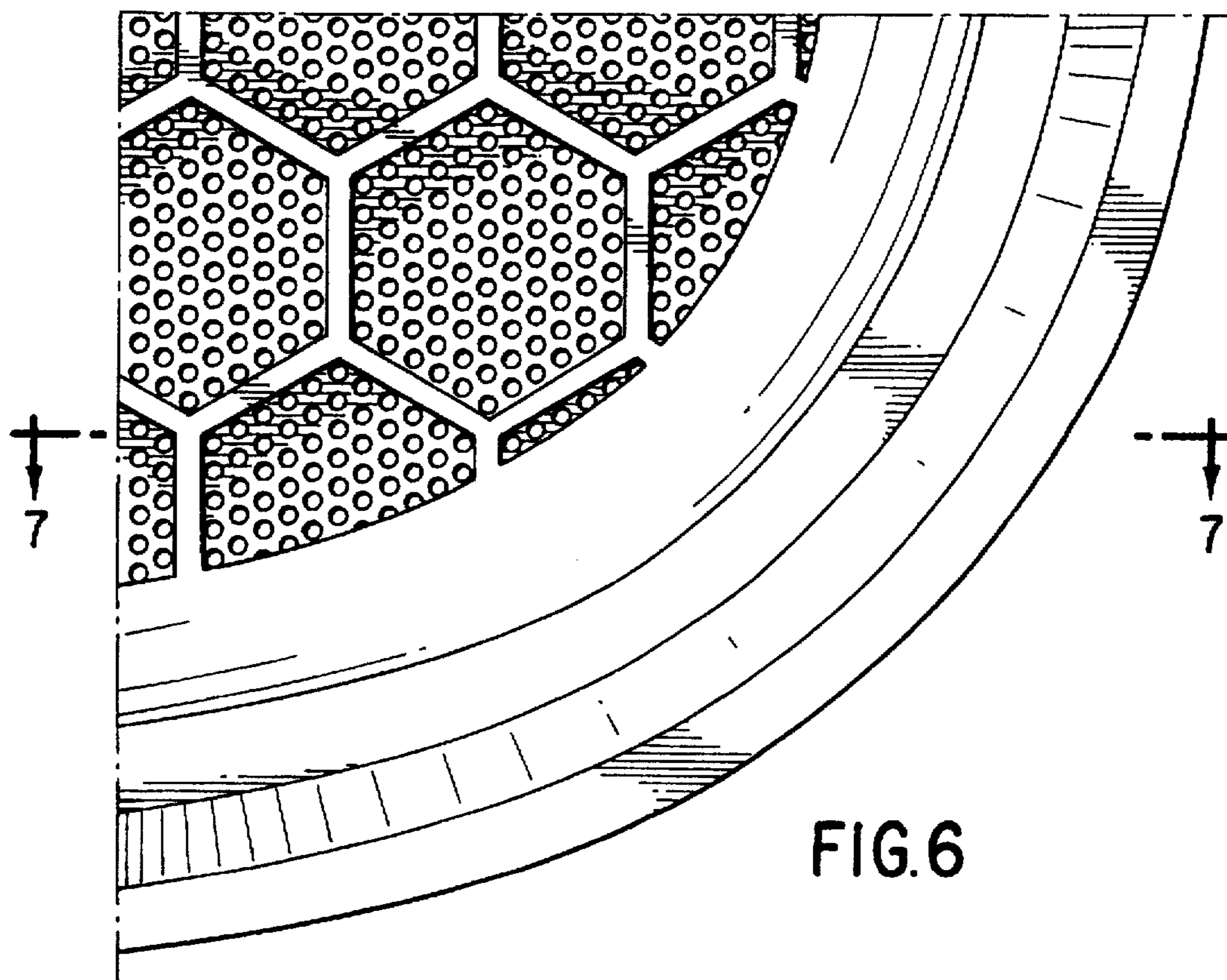


FIG. 4

FIG. 5



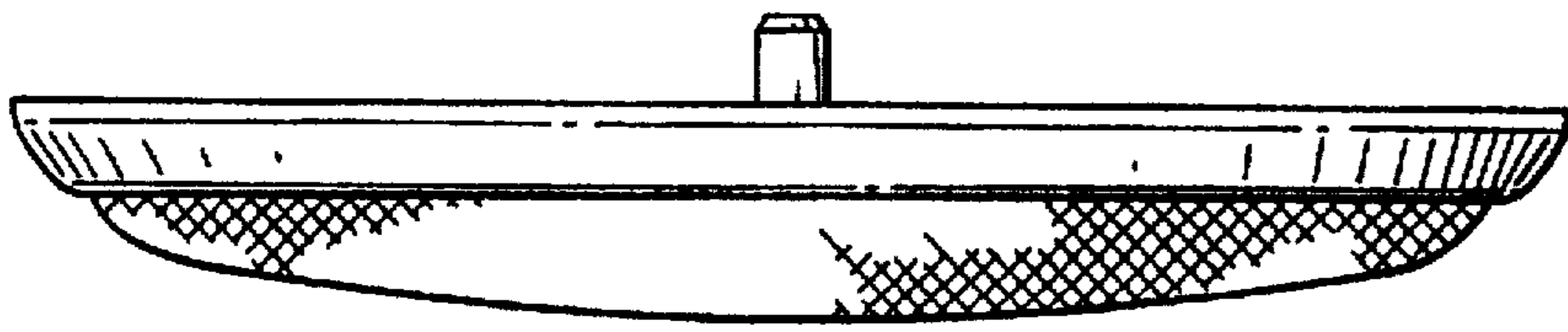


FIG. 8

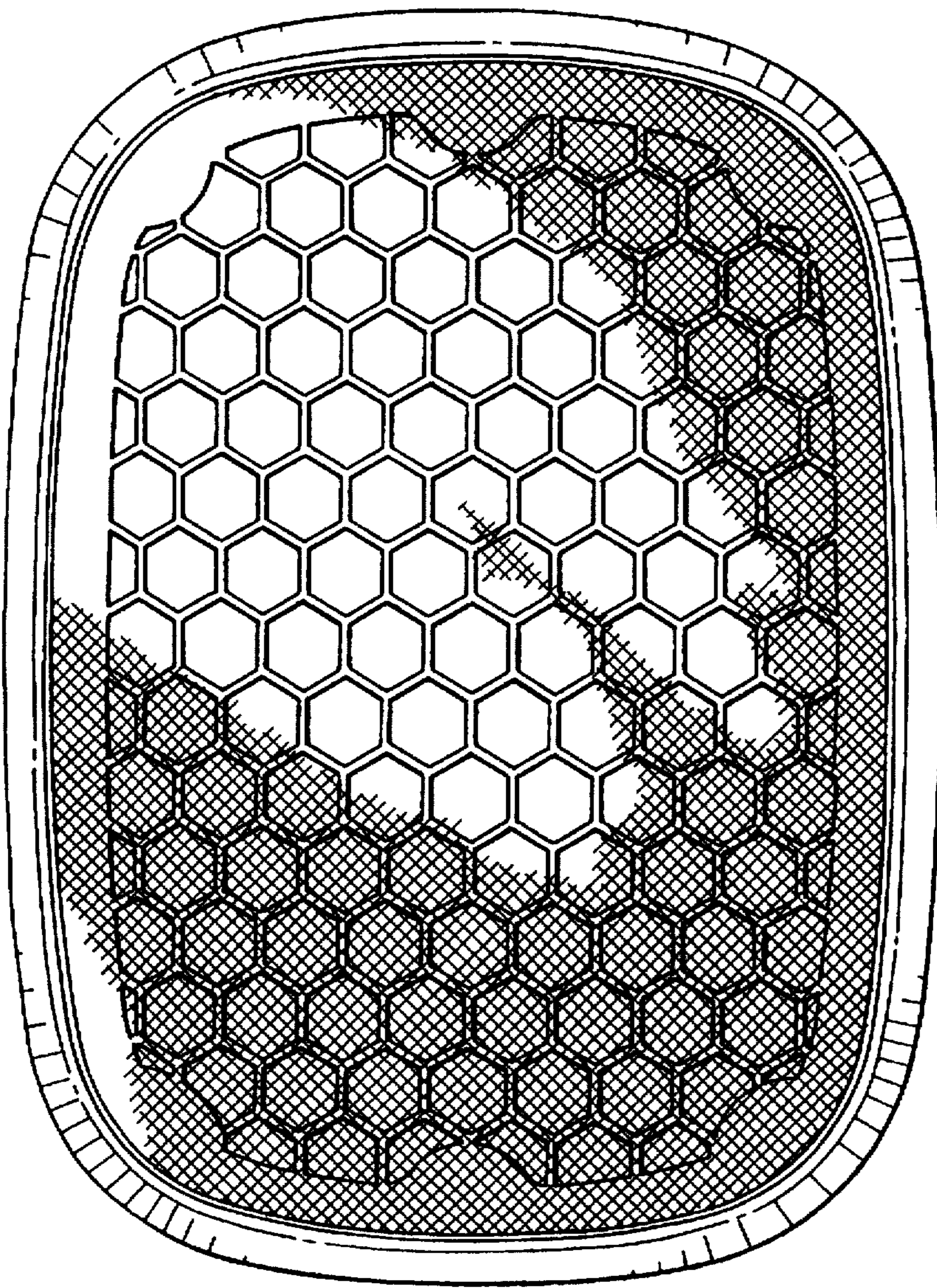


FIG. 9

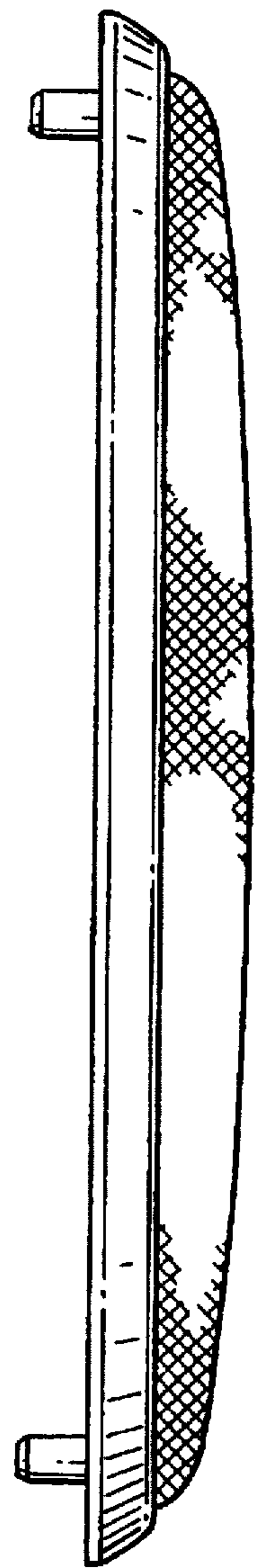


FIG. 10

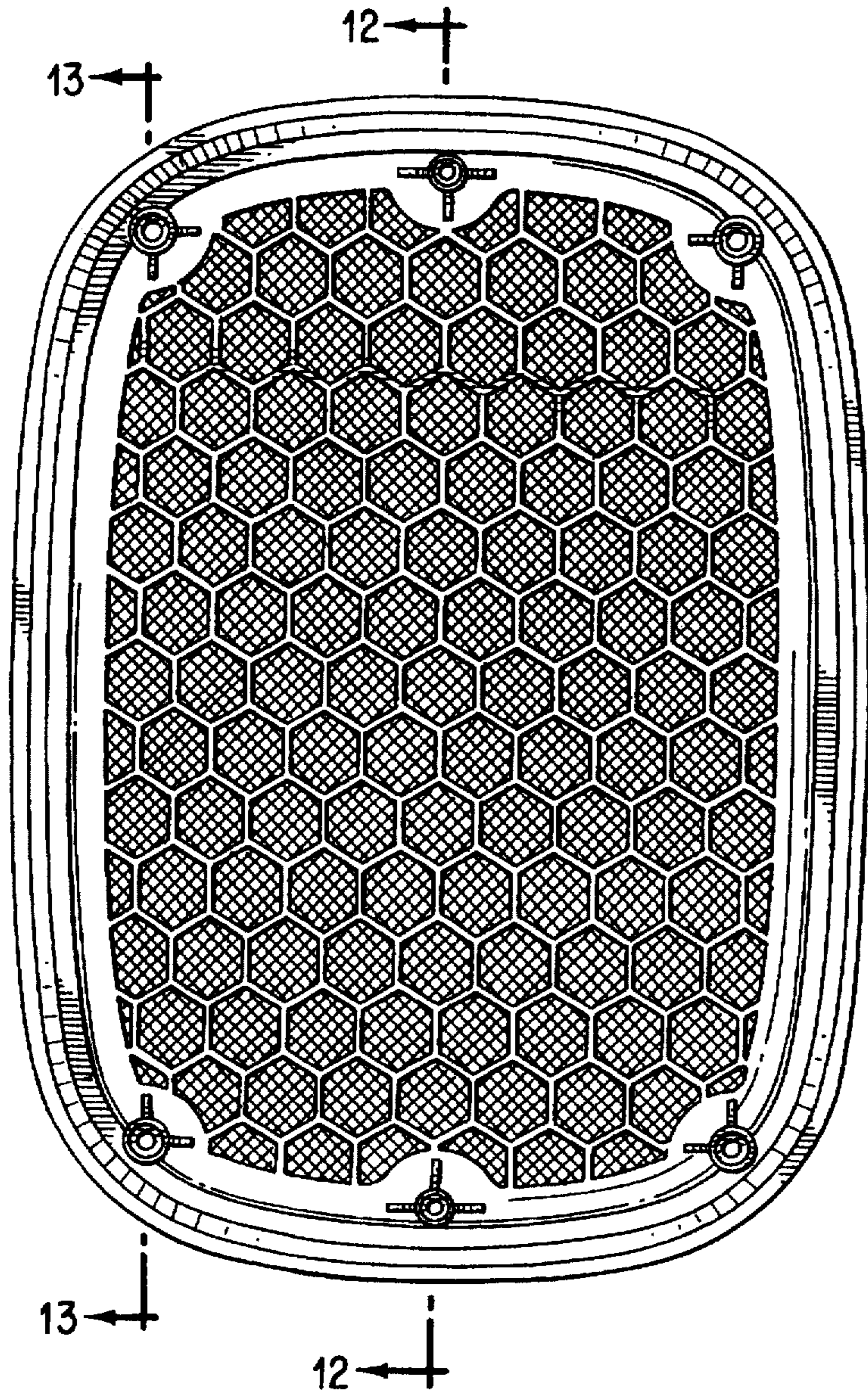


FIG.11

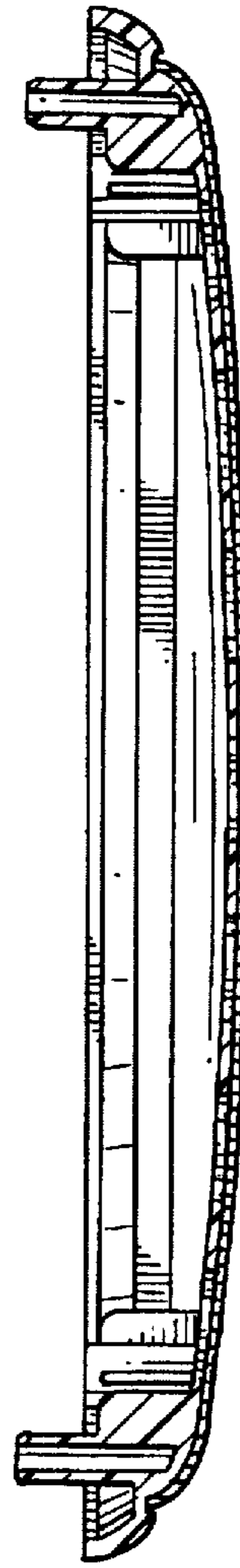


FIG.12

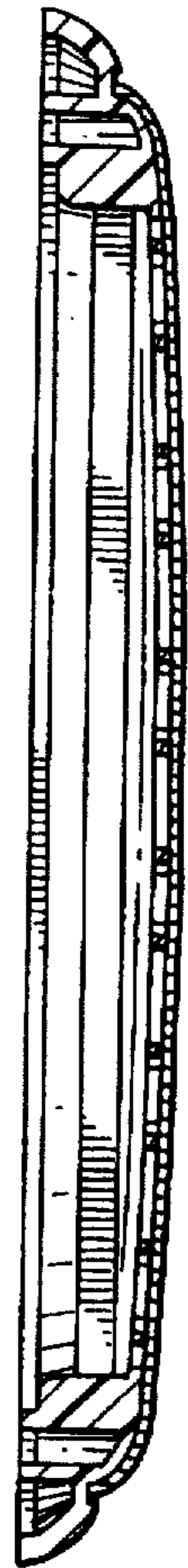


FIG.13