



US00D389150S

United States Patent [19]
Tanaka

[11] **Patent Number: Des. 389,150**

[45] **Date of Patent: **Jan. 13, 1998**

[54] **UNIT FOR DIGITAL AUDIO DISK PLAYER**

[75] **Inventor: Akira Tanaka, Tokyo, Japan**

[73] **Assignee: Sony Corporation, Tokyo, Japan**

[**] **Term: 14 Years**

[21] **Appl. No.: 44,289**

[22] **Filed: Sep. 21, 1995**

[30] **Foreign Application Priority Data**

Apr. 7, 1995 [JP] Japan 7-9533

[51] **LOC (6) Cl. 14-99**

[52] **U.S. Cl. D14/217; D14/156**

[58] **Field of Search D14/217, 222,
D14/299, 156; 369/37, 39, 41**

[56] **References Cited**

U.S. PATENT DOCUMENTS

D. 270,443 9/1983 Nagatomo D14/156

D. 340,716 10/1993 Ito et al. D14/156
D. 349,496 8/1994 Sato D14/156
4,528,653 7/1985 Asano 369/41
5,481,512 1/1996 Morioka et al. 369/39 X

Primary Examiner—Dominic Simone
Attorney, Agent, or Firm—Foley & Lardner

[57] **CLAIM**

The ornamental design for a unit for digital audio disk player, as shown and described.

DESCRIPTION

FIG. 1 is a perspective view of a digital audio disk player showing my new design;
FIG. 2 is a top plan view thereof;
FIG. 3 is a left side elevational view thereof;
FIG. 4 is a front elevational view thereof;
FIG. 5 is a bottom plan view thereof;
FIG. 6 is a right side elevational view thereof;
FIG. 7 is a rear elevational view thereof.

1 Claim, 3 Drawing Sheets

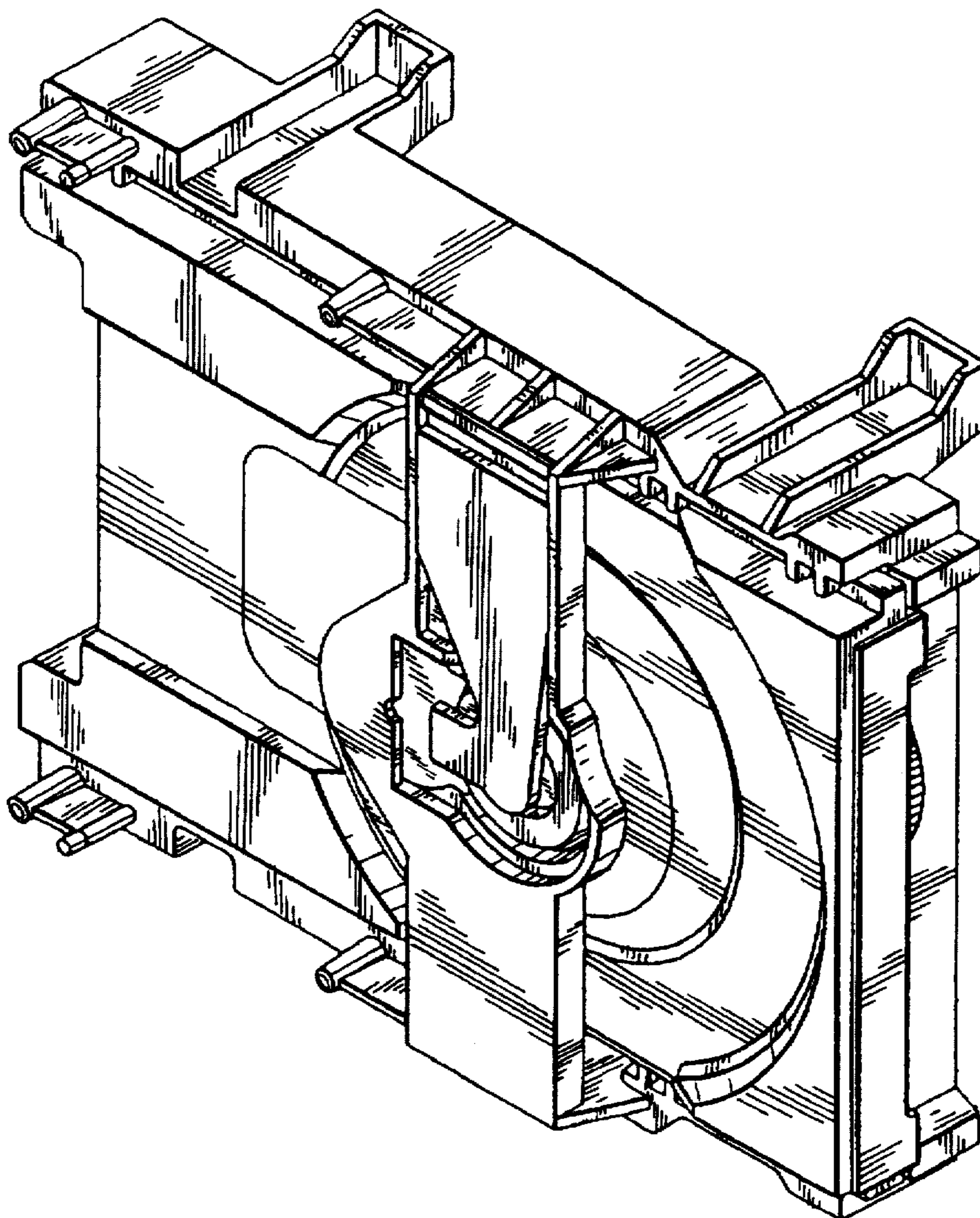


FIG. 1

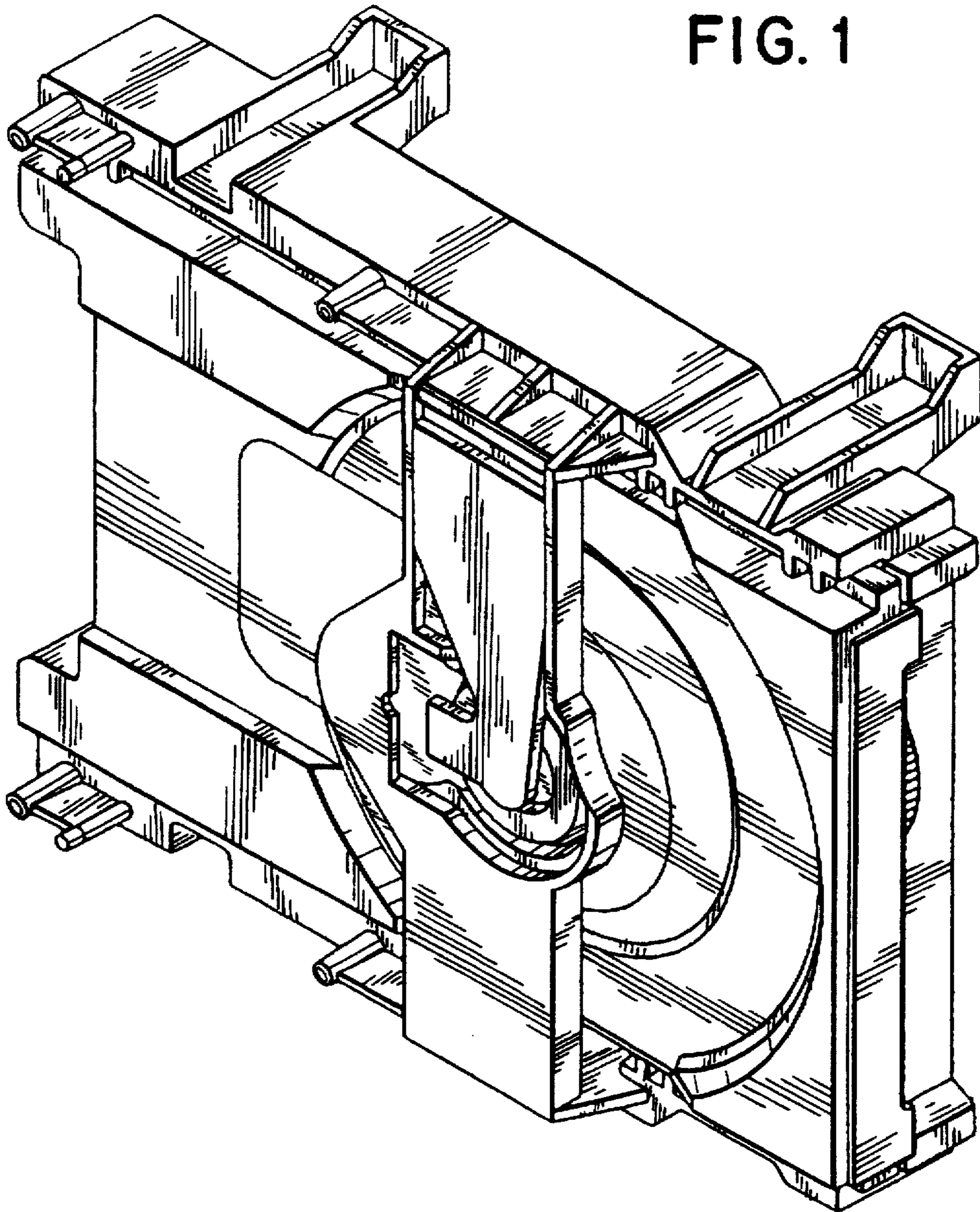


FIG. 2

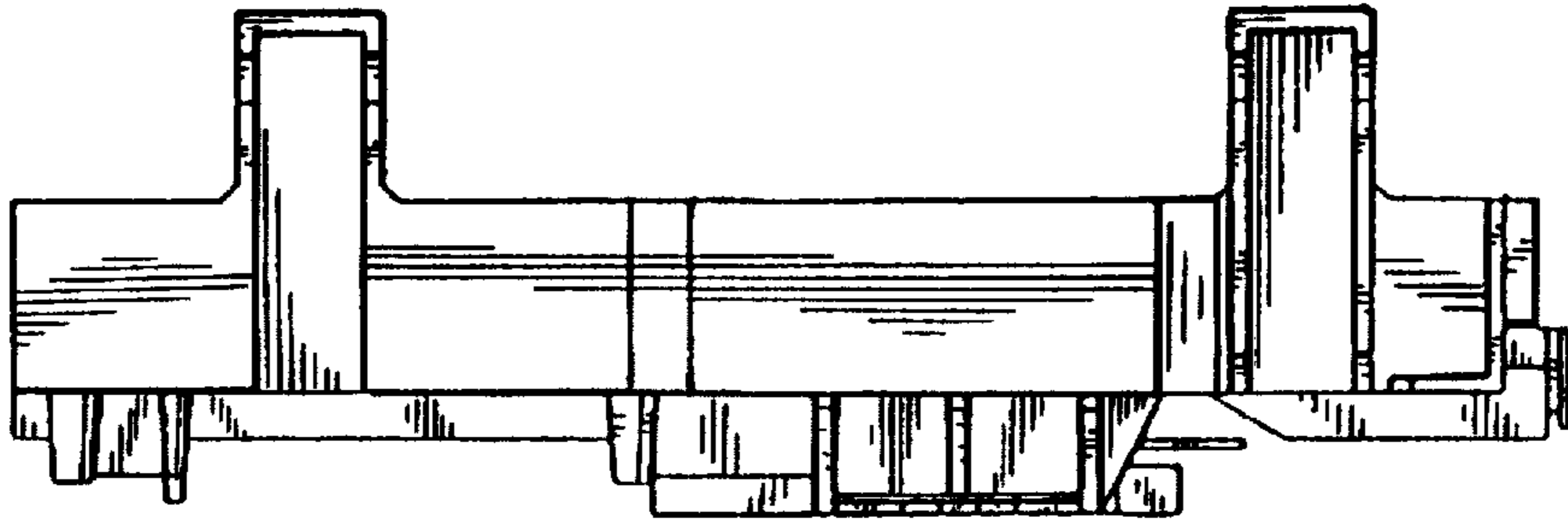


FIG. 5

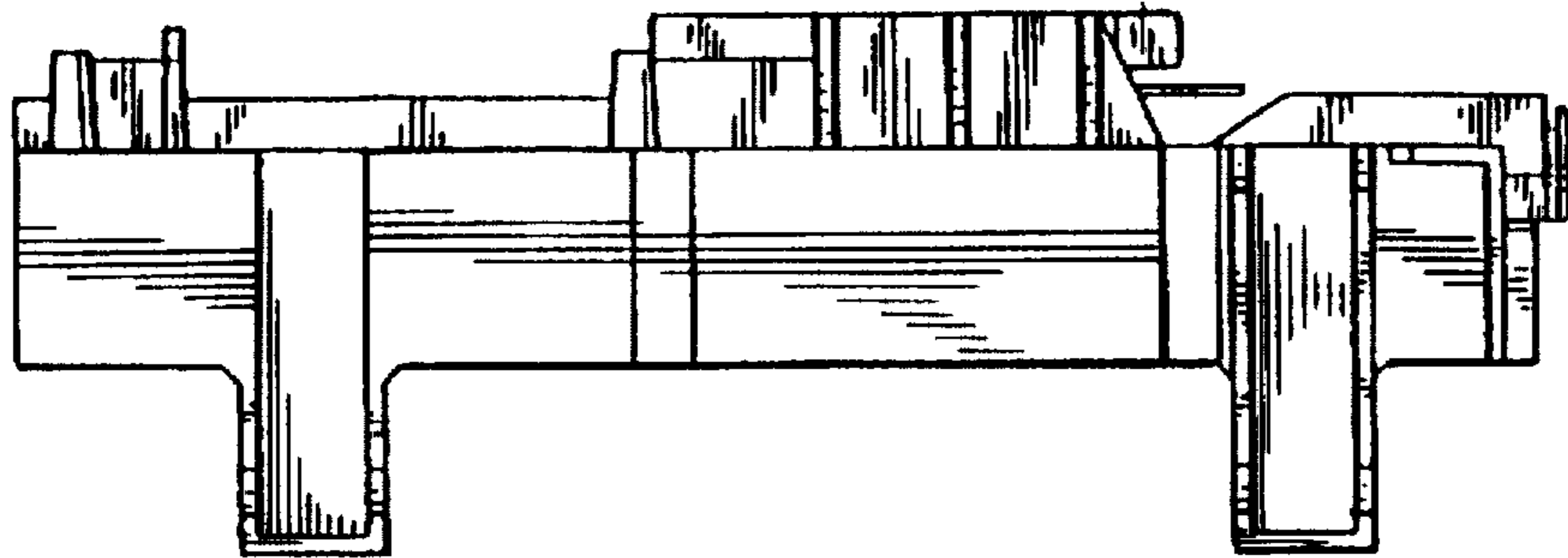


FIG. 3

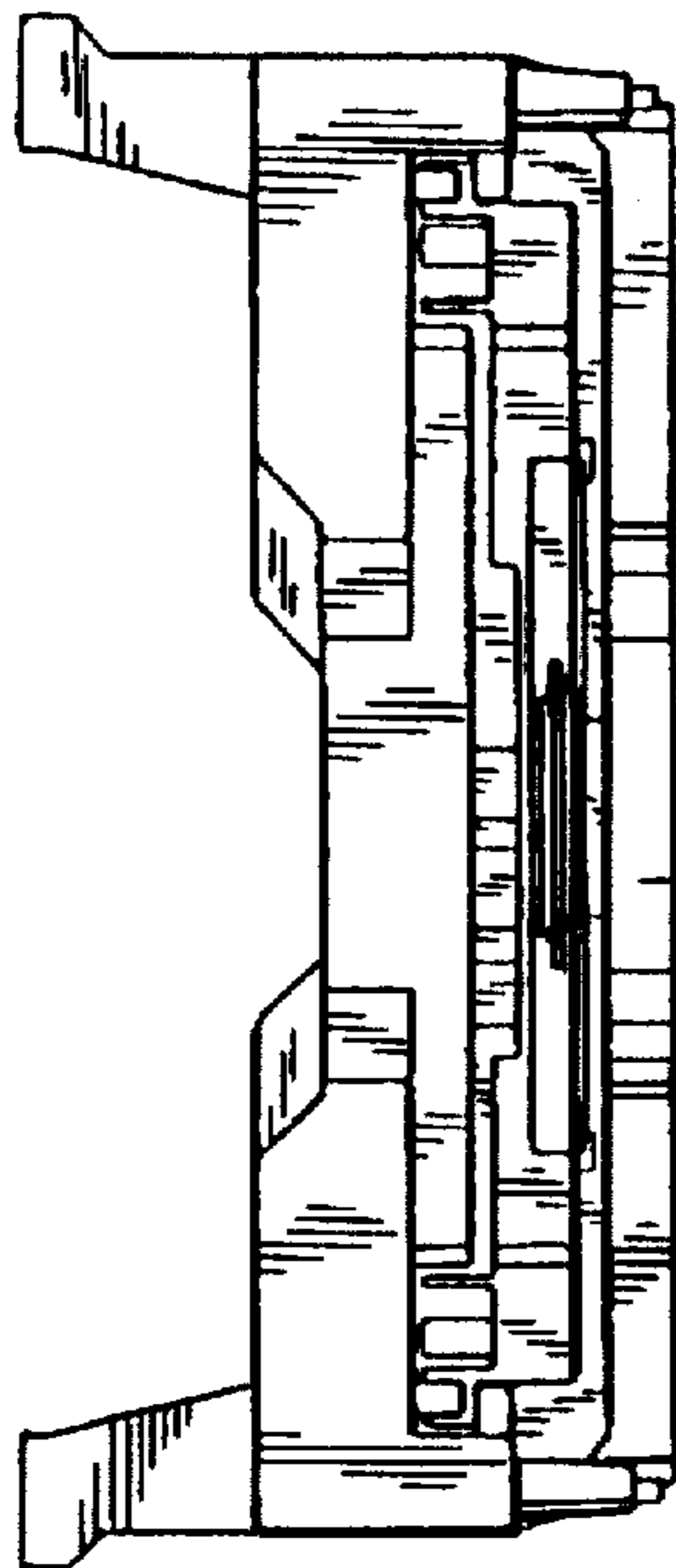


FIG. 6

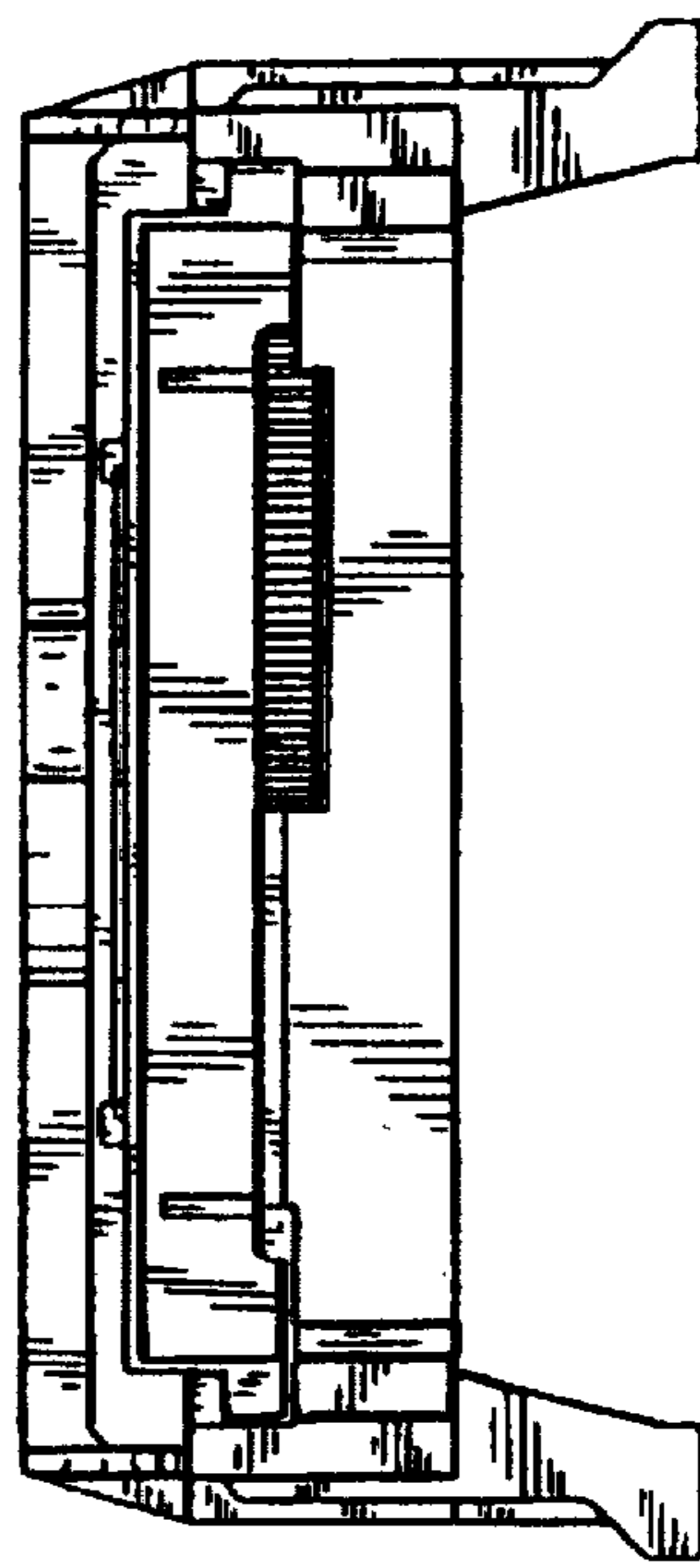


FIG. 4

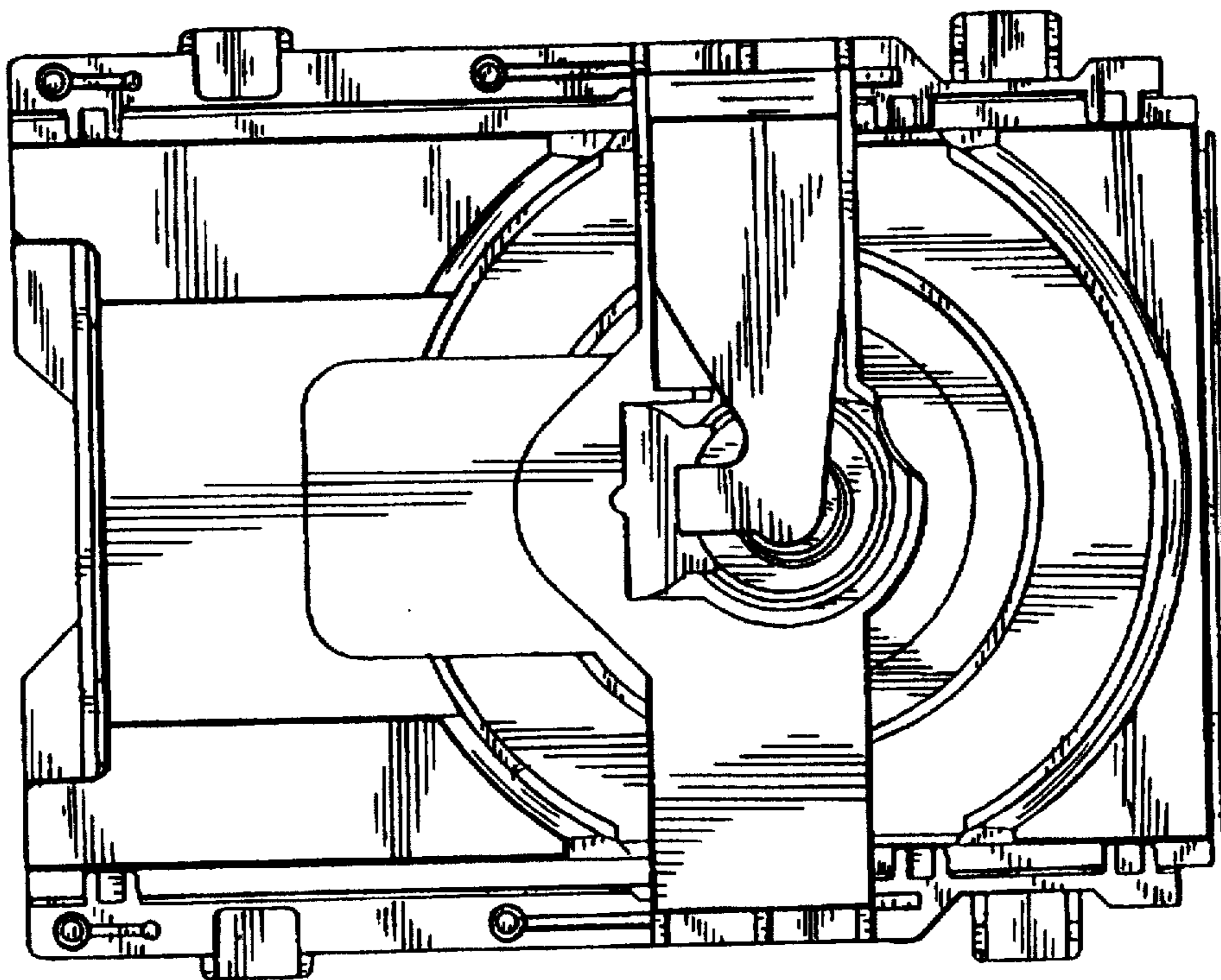


FIG. 7

