



US00D389142S

United States Patent [19]

Adams et al.

[11] Patent Number: **Des. 389,142**

[45] Date of Patent: ****Jan. 13, 1998**

[54] TELEPHONE

[75] Inventors: **Joel Q. Adams**, Pflugerville, Tex.; **Harald F. Bader**, Peiting, Germany; **David E. Bryant**, Austin, Tex.; **Erich C. Elkins**, San Francisco, Calif.; **Doug A. Erwin**, Austin; **Wayne E. McKinnon**, Georgetown, both of Tex.; **Ulrich Skrypalle**, München, Germany

[73] Assignee: **Siemens Business Communication Systems, Inc.**

[**] Term: **14 Years**

[21] Appl. No.: **56,945**

[22] Filed: **Jul. 12, 1996**

[51] LOC (6) CL **14-03**

[52] U.S. Cl. **D14/138**

[58] Field of Search **D14/137, 138, D14/140, 142, 147-151, 240, 248; 379/58-61, 419, 420, 428, 440, 433; 455/89, 90**

[56] References Cited

U.S. PATENT DOCUMENTS

D. 353,807	12/1994	White	D14/138
D. 356,562	3/1995	Nuovo	D14/138
D. 356,563	3/1995	Berry	D14/138
D. 369,597	5/1996	Yokouchi	D14/147
D. 374,006	9/1996	Tattari	D14/138
D. 374,872	10/1996	Scianna, Sr. et al.	D14/138
D. 377,171	1/1997	Yokouchi	D14/138
4,672,685	6/1987	Phillips et al.	455/90 X

Primary Examiner—Jeffrey Asch

[57] CLAIM

The ornamental design for a telephone, as shown and described.

DESCRIPTION

FIG. 1 is a perspective view of a first embodiment of the telephone of the present invention;
 FIG. 2 is a front elevational view of the first embodiment;
 FIG. 3 is a rear elevational view of the first embodiment;
 FIG. 4 is a right-side elevational view of the first embodiment;
 FIG. 5 is a left-side elevational view of the first embodiment;
 FIG. 6 is a top view of the first embodiment;
 FIG. 7 is a bottom view of the first embodiment;
 FIG. 8 is a perspective view of a second embodiment of the telephone of the present invention;
 FIG. 9 is a front elevational view of the second embodiment;
 FIG. 10 is a rear elevational view of the second embodiment;
 FIG. 11 is a right-side elevational view of the second embodiment;
 FIG. 12 is a left-side elevational view of the second embodiment;
 FIG. 13 is a top view of the second embodiment;
 FIG. 14 is a bottom view of the second embodiment;
 FIG. 15 is a perspective view of a third embodiment of the telephone of the present invention;
 FIG. 16 is a front elevational view of the third embodiment;
 FIG. 17 is a rear elevational view of the third embodiment;
 FIG. 18 is a right-side elevational view of the third embodiment;
 FIG. 19 is a left-side elevational view of the third embodiment;
 FIG. 20 is a top view of the third embodiment; and,
 FIG. 21 is a bottom view of the third embodiment.

1 Claim, 15 Drawing Sheets

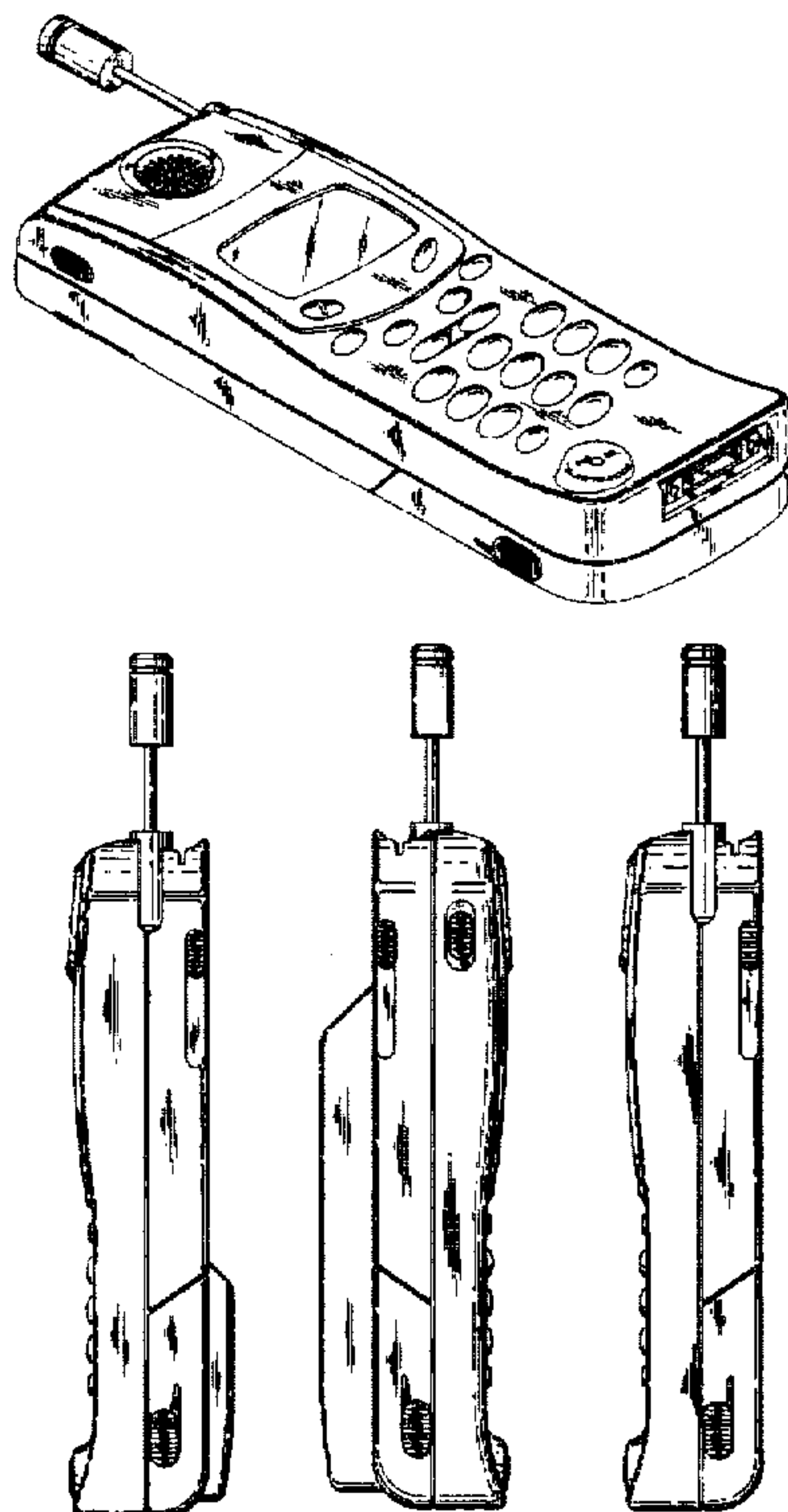


FIG. 1

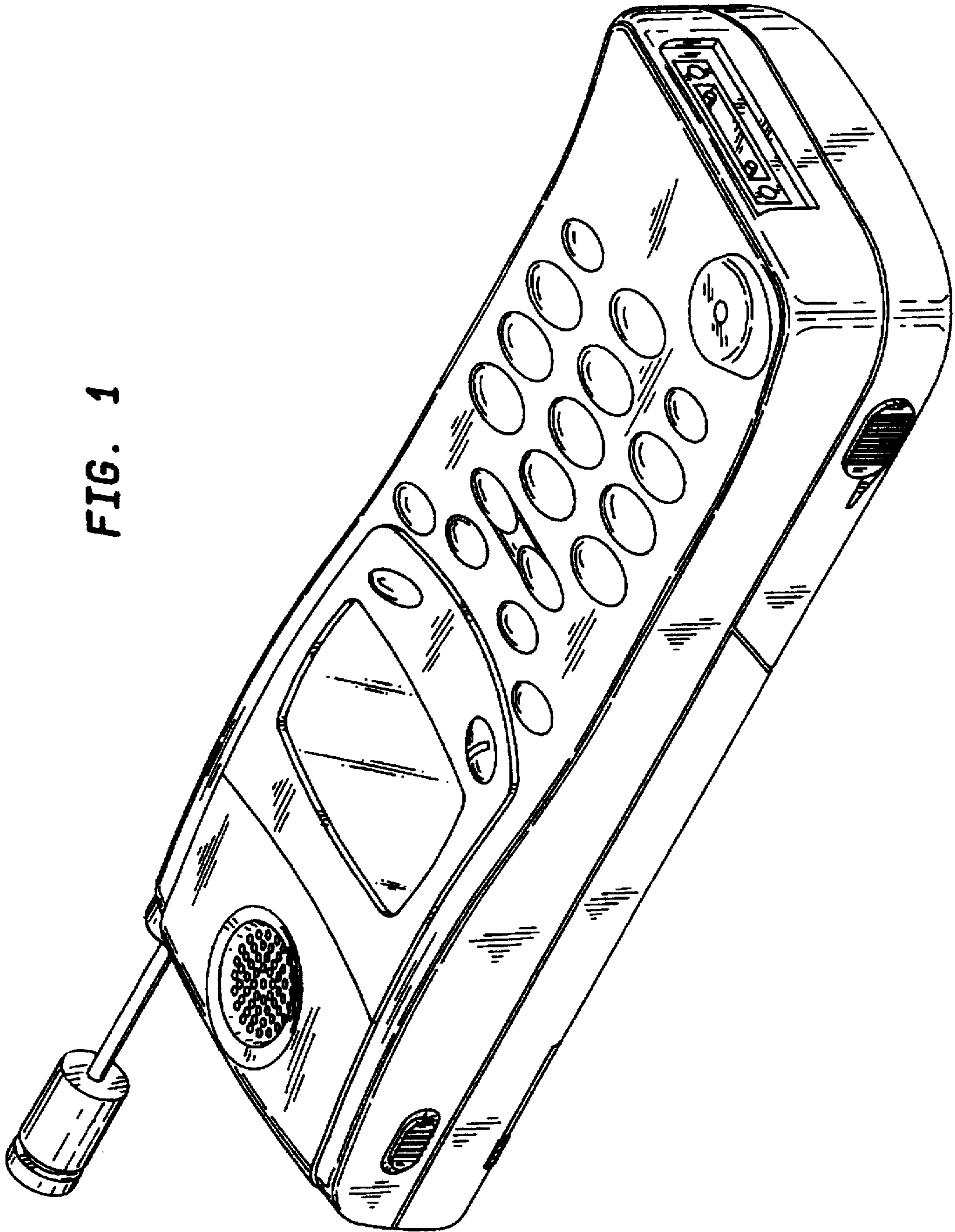


FIG. 2

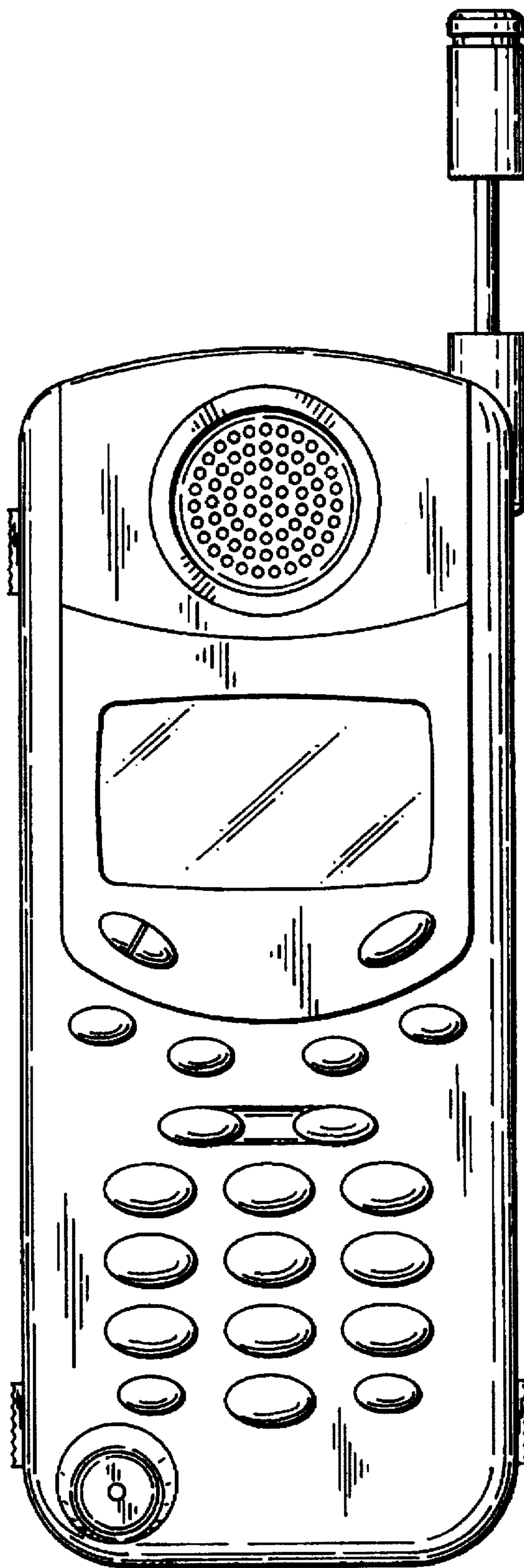


FIG. 3

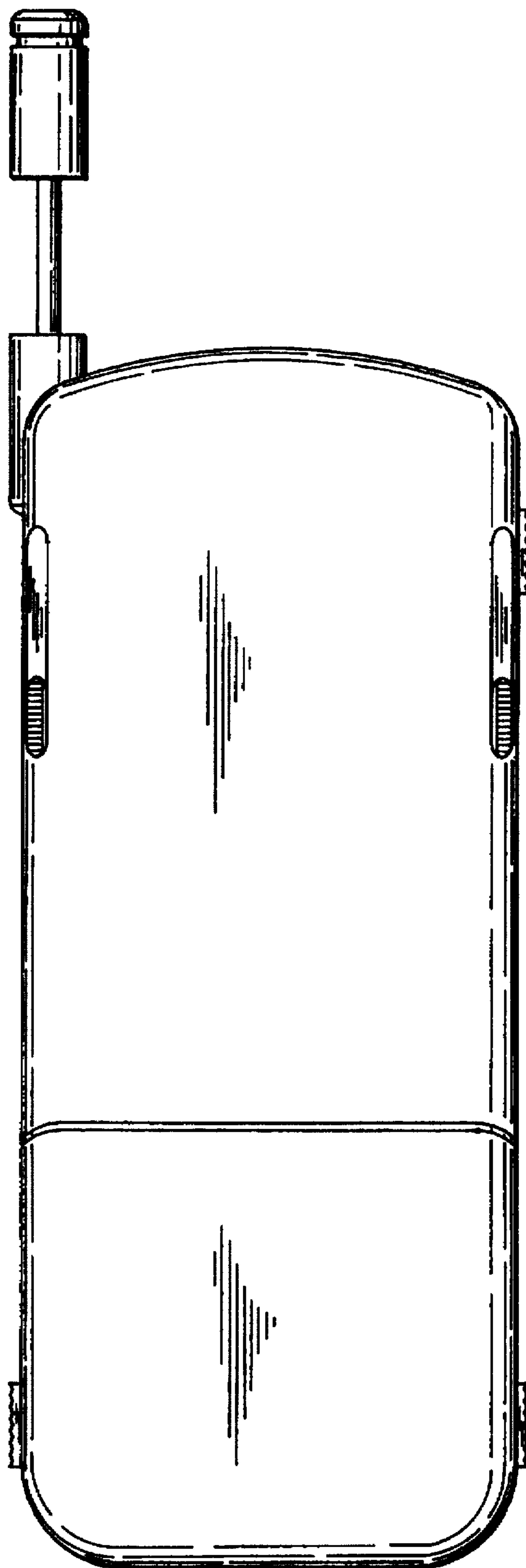


FIG. 4

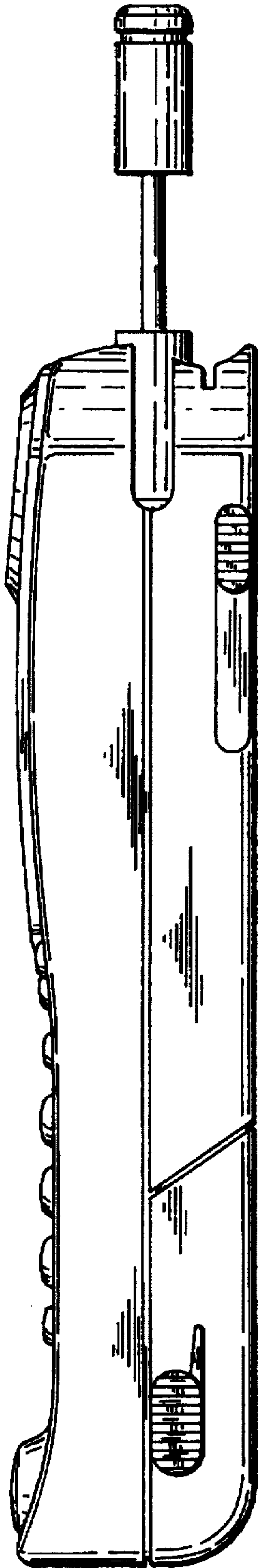


FIG. 5

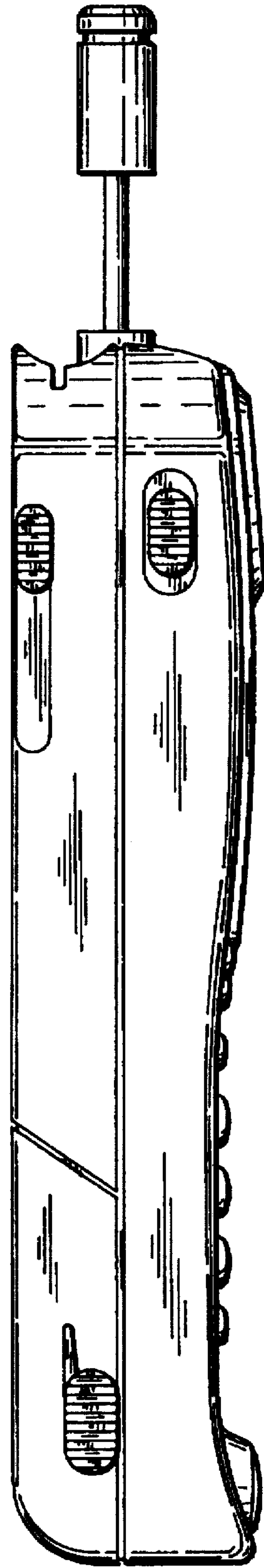


FIG. 7

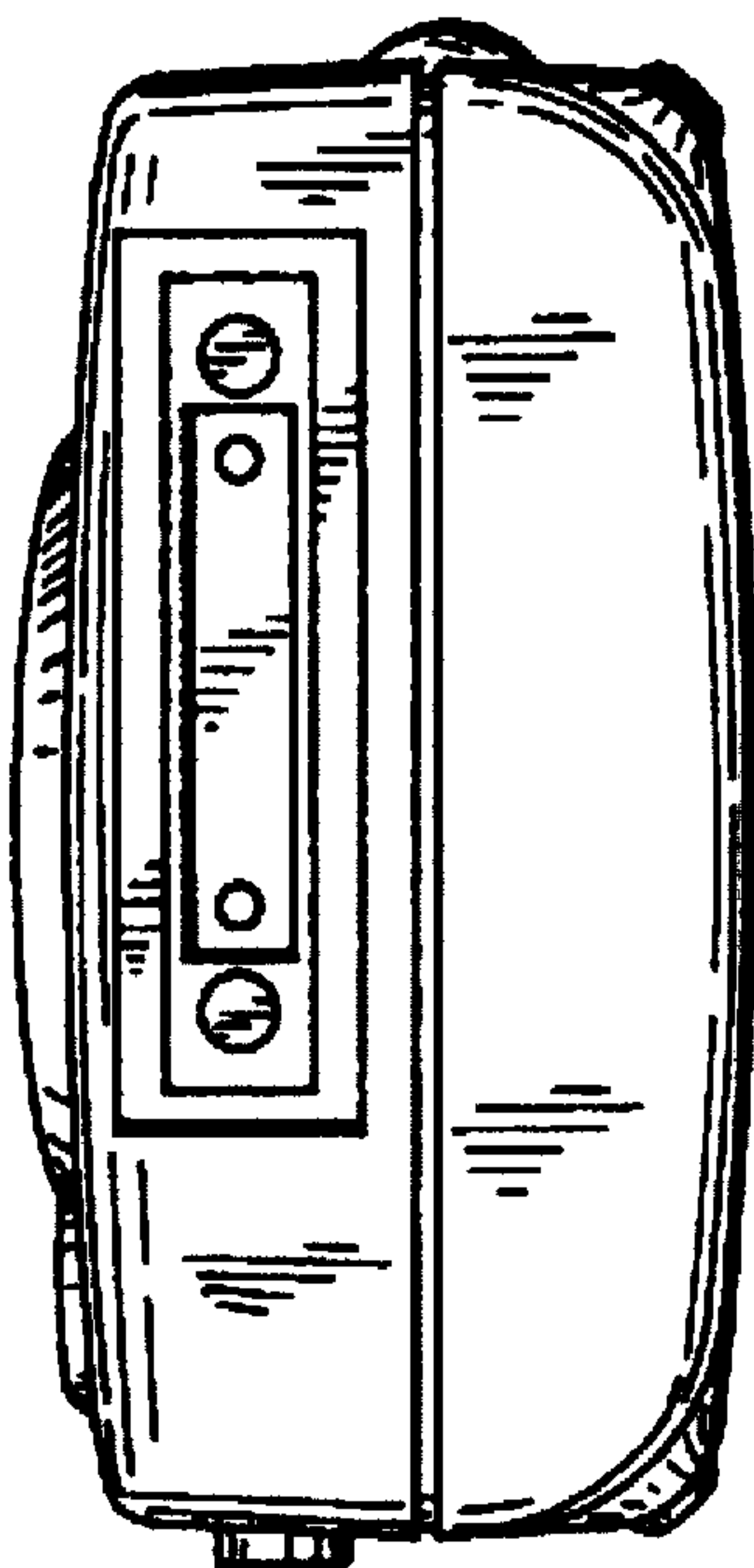


FIG. 6

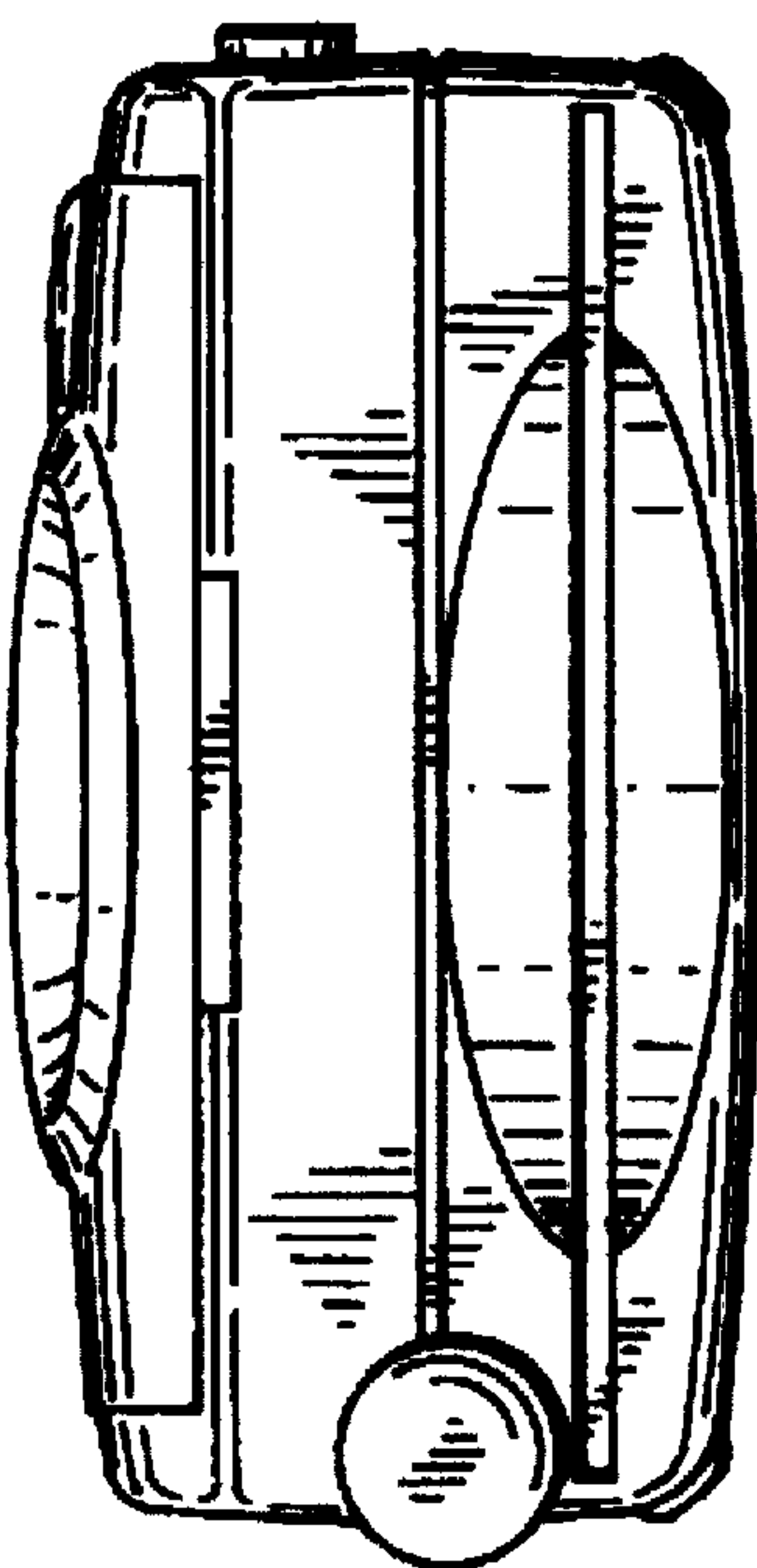


FIG. 8

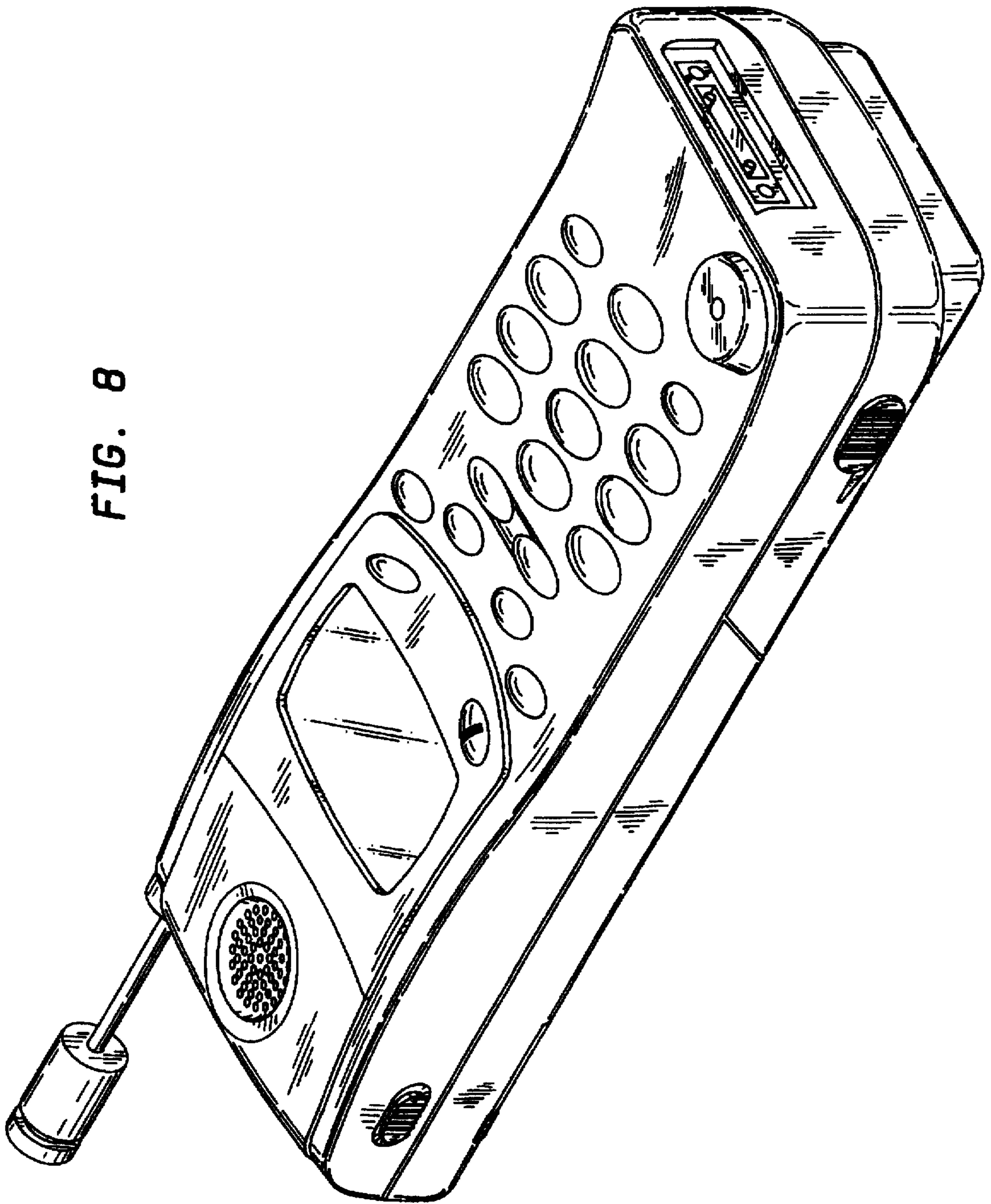


FIG. 9

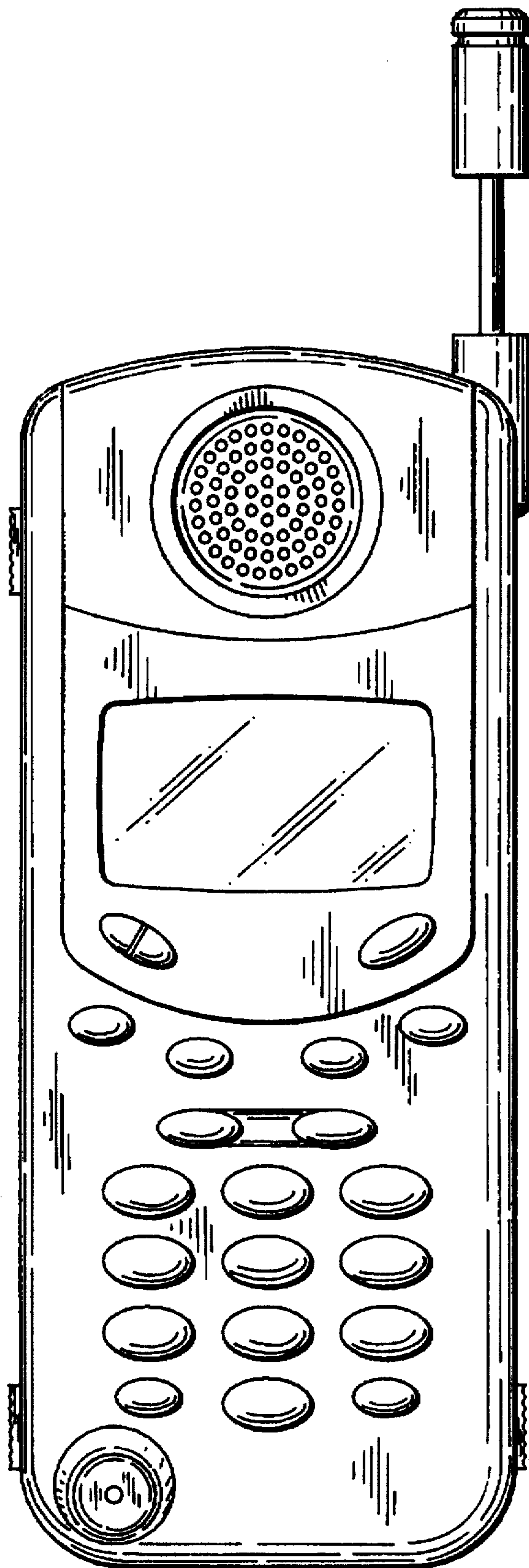


FIG. 10

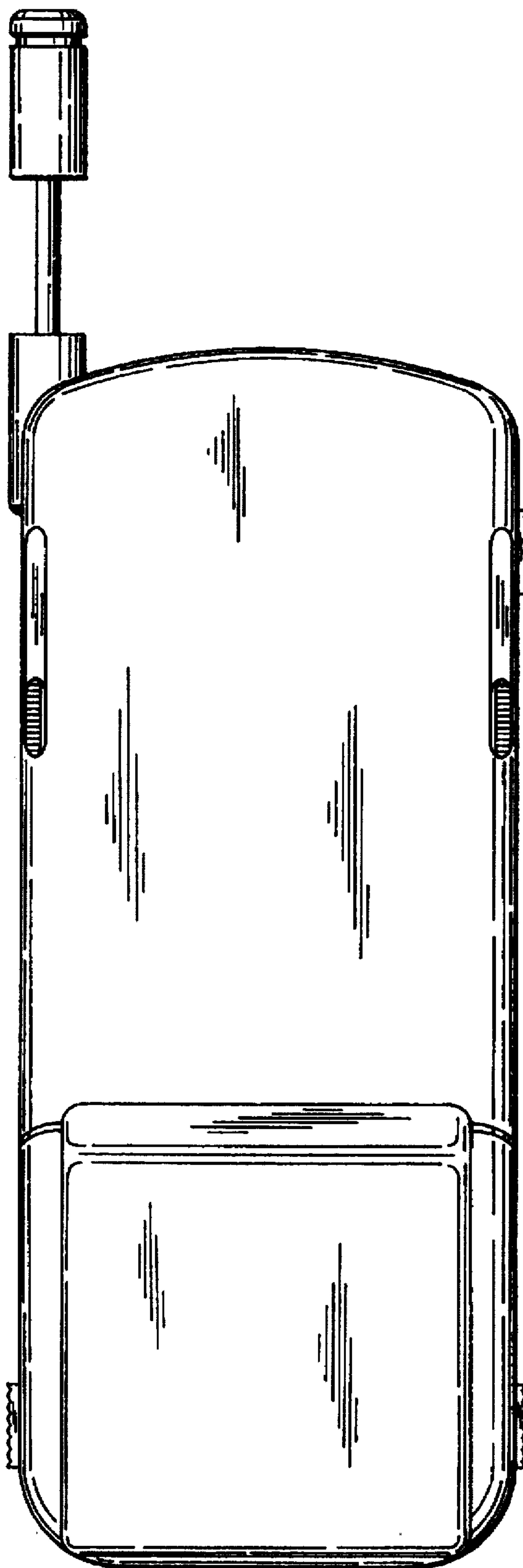


FIG. 11



FIG. 12

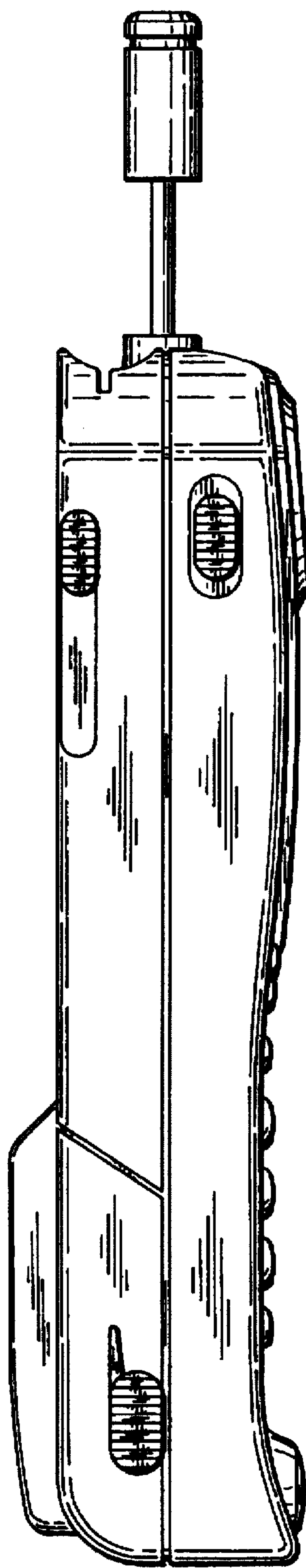


FIG. 14

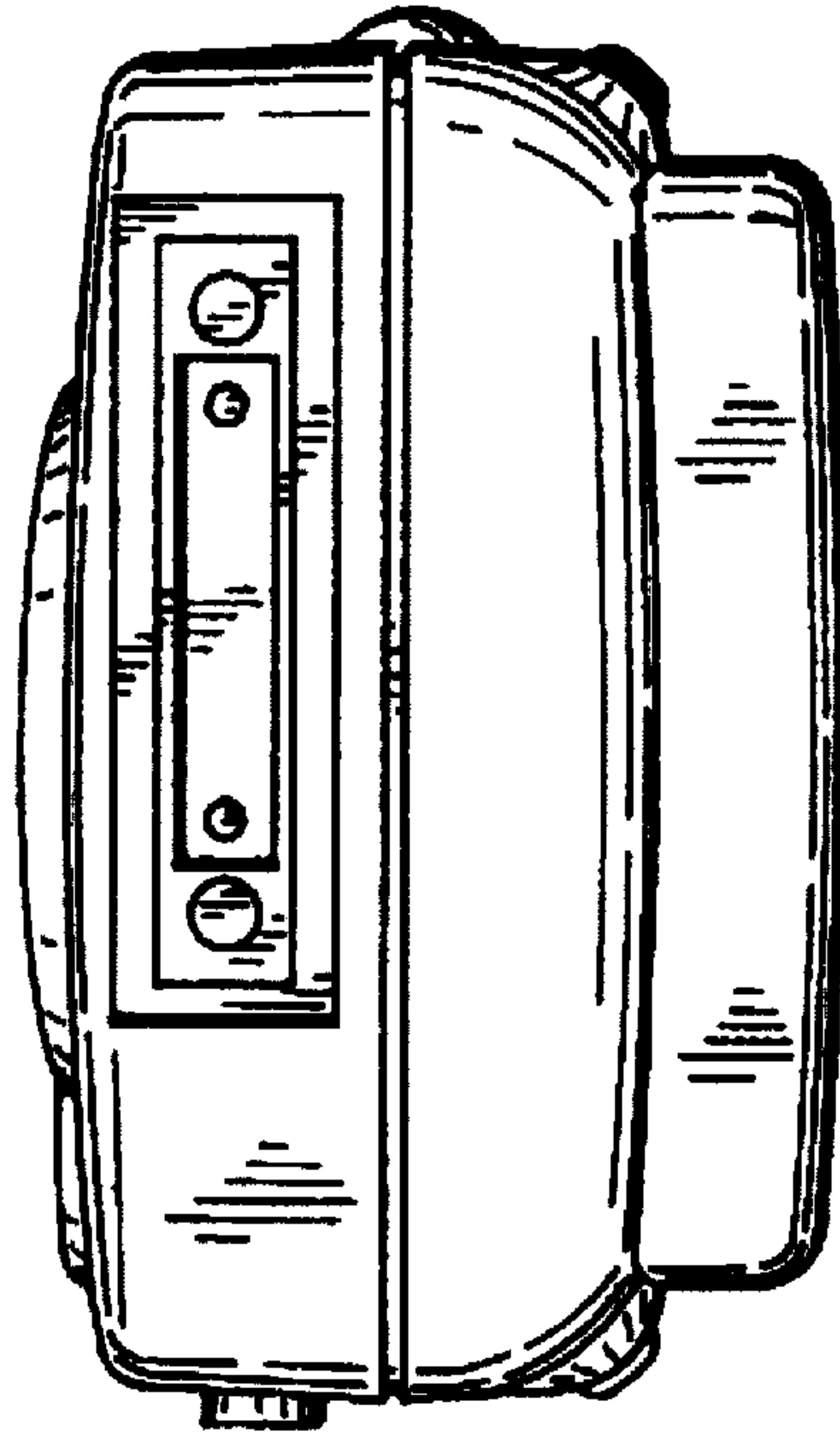


FIG. 13

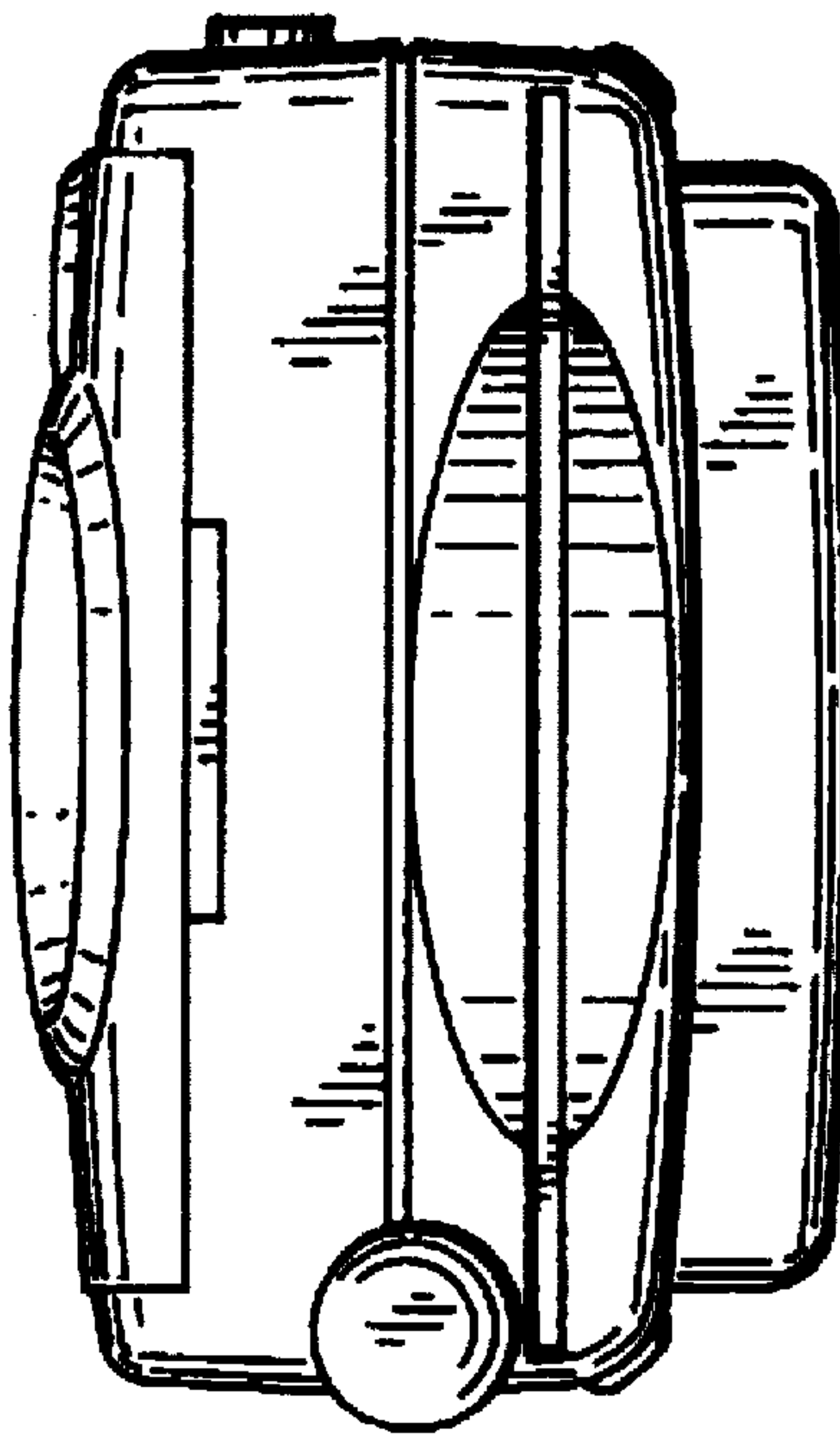


FIG. 15

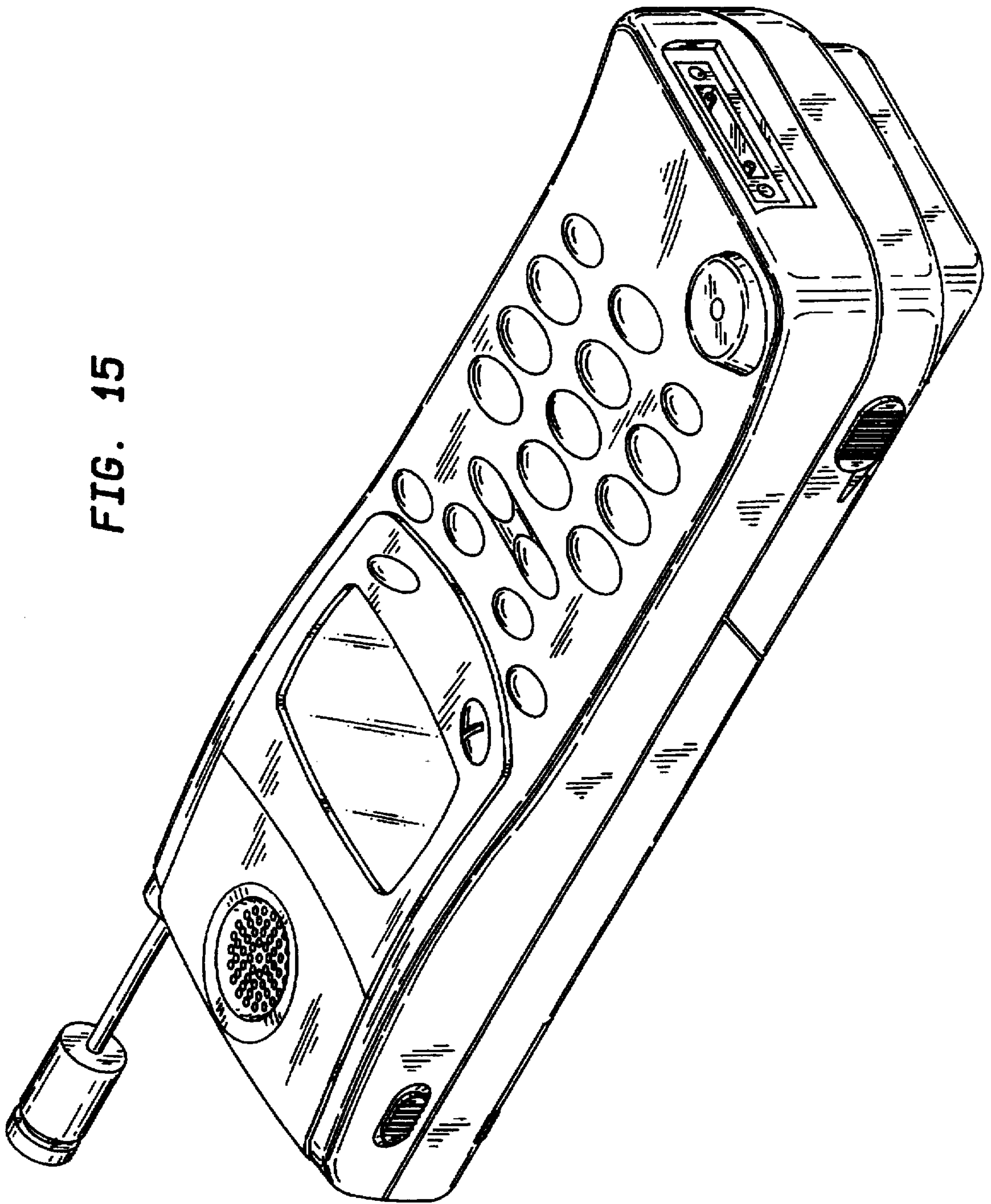


FIG. 16

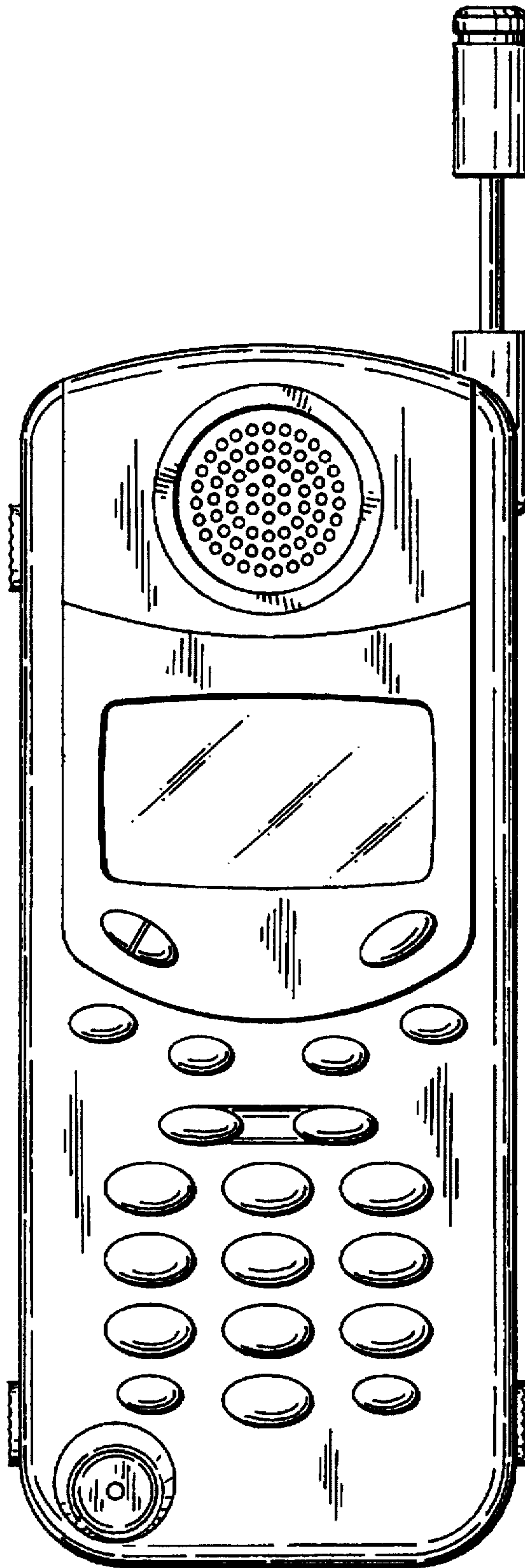


FIG. 17

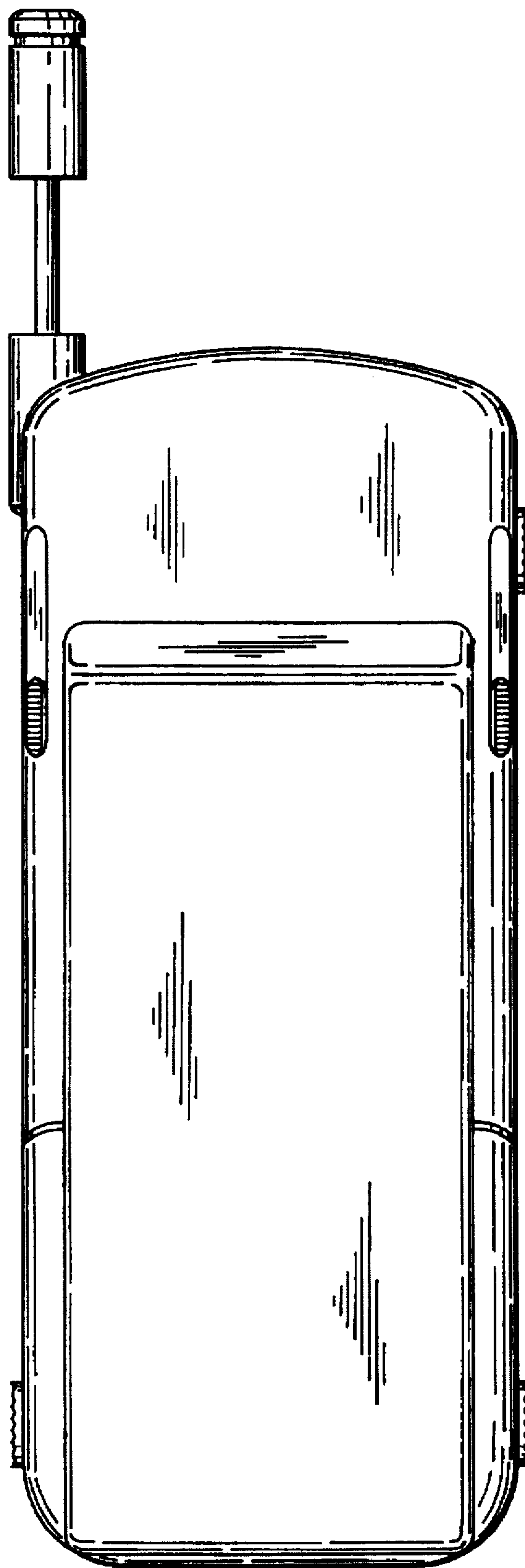


FIG. 18

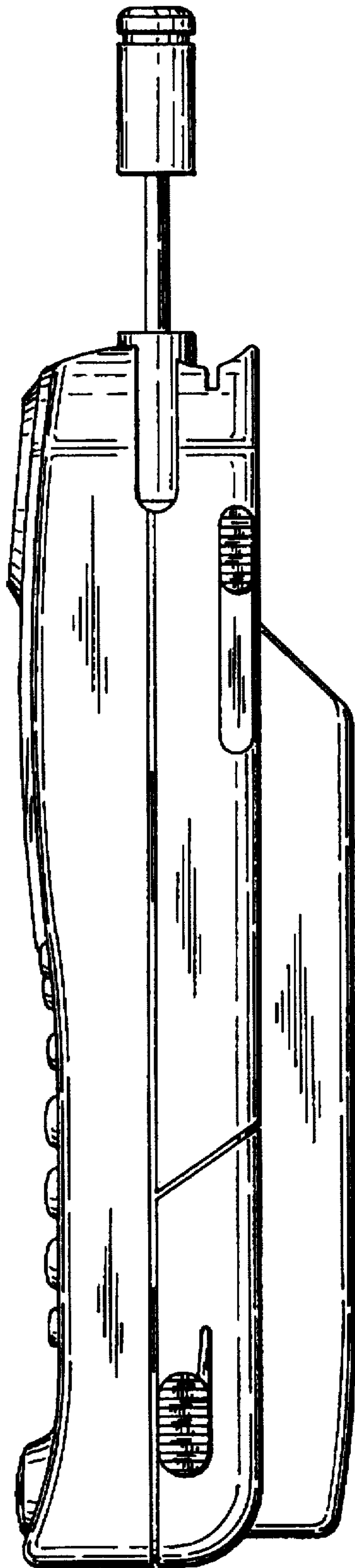


FIG. 19

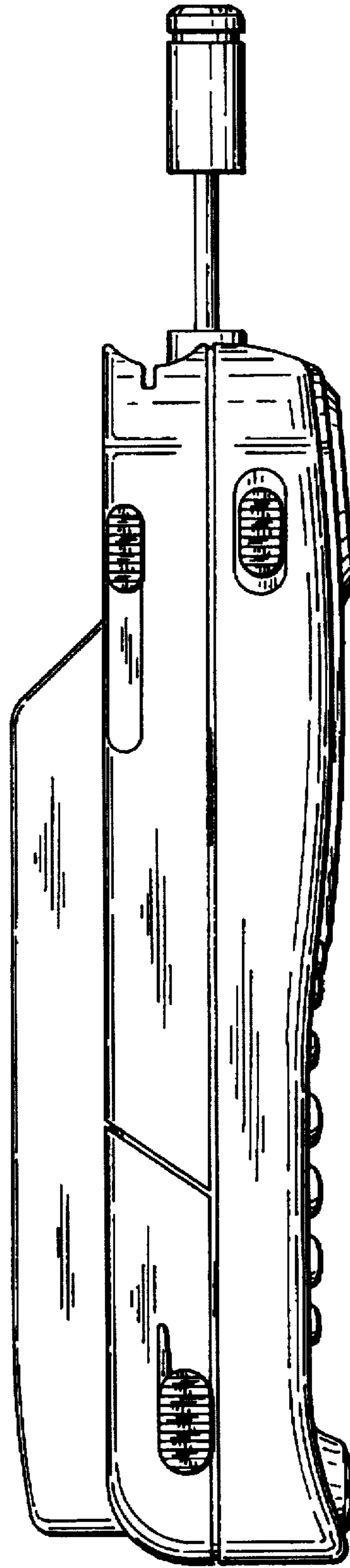


FIG. 21

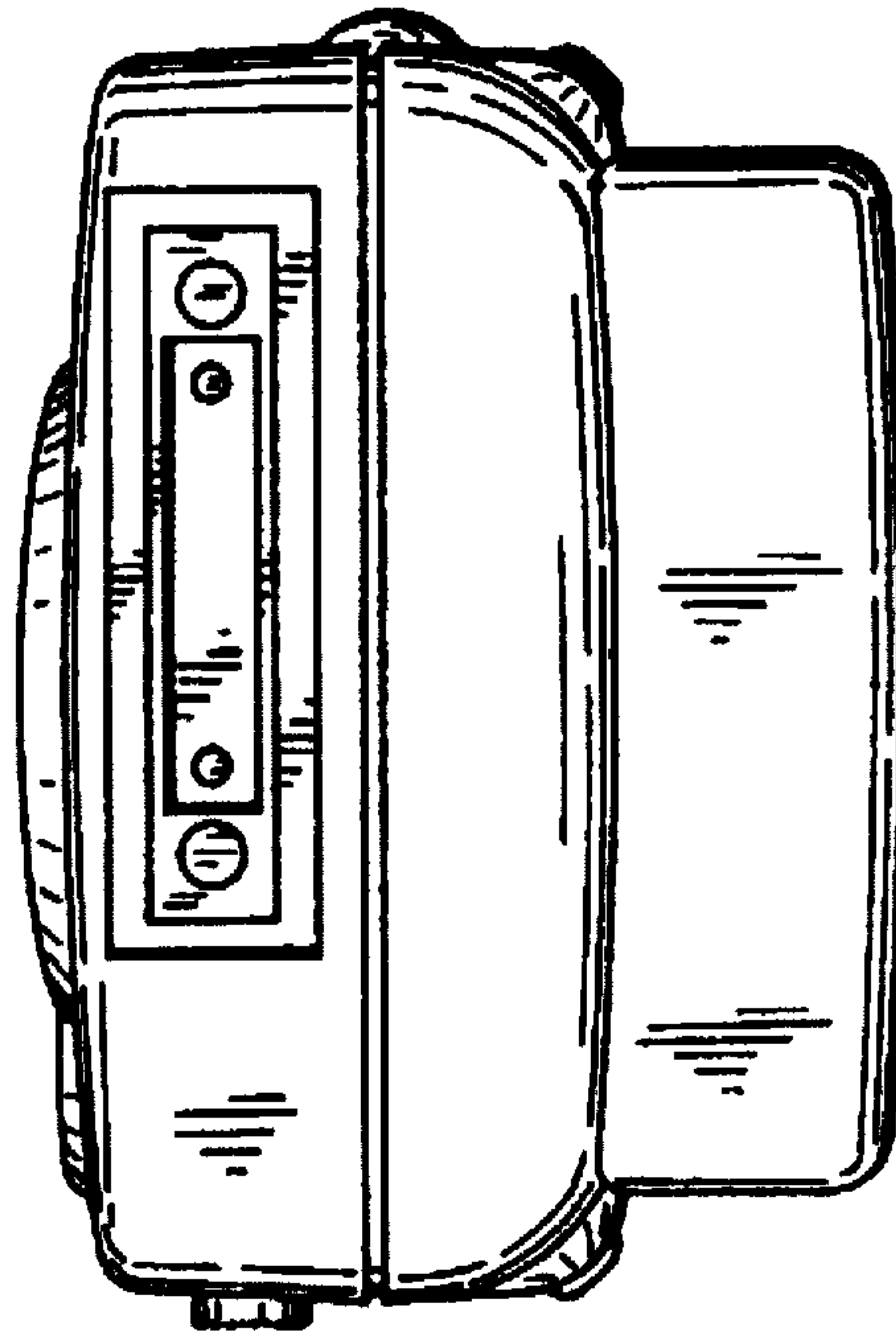


FIG. 20

