

US00D389140S

United States Patent [19]

Buhrmann

[11] **Patent Number: Des. 389,140**

[45] **Date of Patent: **Jan. 13, 1998**

[54] **ARRANGEMENT OF DISPLAYS FOR A WIRELESS COMMUNICATIONS TERMINAL**

[75] **Inventor: Michael F. Buhrmann, Redmond, Wash.**

[73] **Assignee: AT&T Wireless Services, Inc., Kirkland, Wash.**

[**] **Term: 14 Years**

[21] **Appl. No.: 24,956**

[22] **Filed: Jun. 23, 1994**

[51] **LOC (6) Cl. 14-03**

[52] **U.S. Cl. D14/138; D14/247**

[58] **Field of Search D14/137, 138, D14/140, 142, 147-148, 247, 248, 240; 379/58-61, 433, 454, 455, 419, 420, 428, 440; 455/89, 90; D21/13, 48**

[56] **References Cited**

U.S. PATENT DOCUMENTS

- D. 275,971 10/1984 Yokoi D21/13
- D. 298,036 10/1988 Watanabe .
- D. 306,298 2/1990 Sawada et al. .
- D. 319,441 8/1991 Konno et al. .
- D. 326,092 5/1992 Kikuchi et al. D14/248 X
- D. 328,294 7/1992 Stillely .
- D. 345,355 3/1994 Konno et al. .
- D. 345,356 3/1994 Ando et al. D14/138
- D. 346,164 4/1994 Shirakawa et al. D14/138
- D. 347,221 5/1994 Siddoway D14/138
- D. 348,071 6/1994 Siddoway .
- D. 351,594 10/1994 Tsoi .
- D. 355,182 2/1995 Namba D14/148 X
- 4,845,772 7/1989 Metroka et al. .
- 5,175,759 12/1992 Metroka et al. .
- 5,185,790 2/1993 Mischneko .
- 5,260,998 11/1993 Takagi .
- 5,285,493 2/1994 Wagai et al. .

- 5,303,291 4/1994 Takagi et al. .
- 5,333,176 7/1994 Burke et al. .
- 5,335,276 8/1994 Thompson et al. .
- 5,422,656 6/1995 Allard et al. .
- 5,425,077 6/1995 Tsoi .
- 5,436,954 7/1995 Nishiyama et al. .

FOREIGN PATENT DOCUMENTS

- 9112673 8/1991 Japan .
- 4002223 1/1992 Japan .
- 6-164440 6/1994 Japan .

OTHER PUBLICATIONS

“The IBM Personal Communicator”; Beatty; IEEE South-eastern Conference, Miami, Florida; Apr. 10-13, 1994; pp. 423-425.

“Simon from Bell South”; Advertisement; Nov. 1993.

“The Front, A Hand-Held Computer”, *Telephony*; Sep. 9, 1988; pp. 24-25.

Primary Examiner—Jeffrey Asch

Attorney, Agent, or Firm—Knobbe, Martens, Olson & Bear, LLP

[57] **CLAIM**

The ornamental design of an arrangement of displays for a wireless communications terminal, as shown and described.

DESCRIPTION

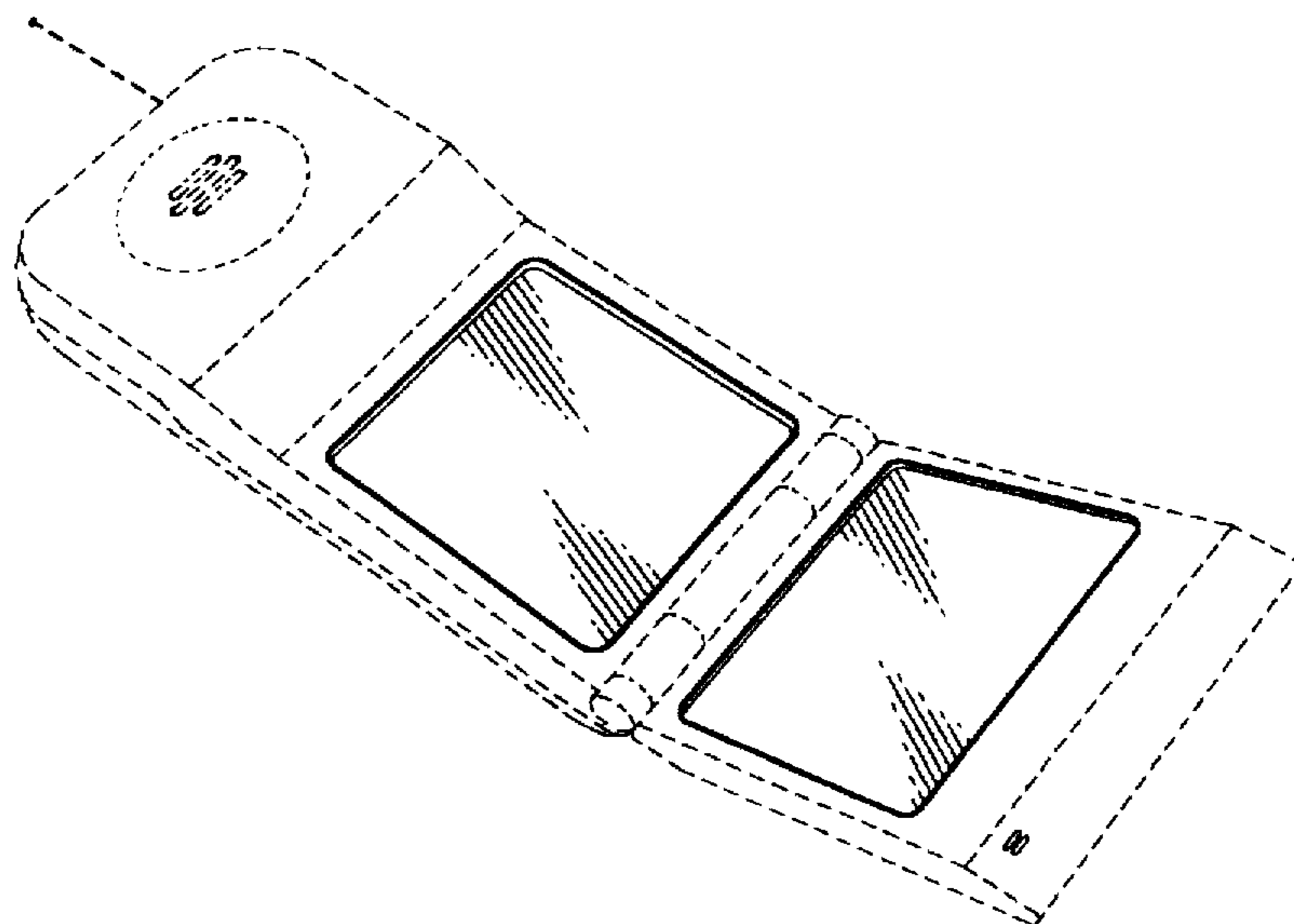
FIG. 1 is a perspective view of an arrangement of displays for a wireless communications terminal showing my new design;

FIG. 2 is a front elevational view thereof;

FIG. 3 is a front elevational view thereof showing exemplary displays on the first and second display screens when the terminal is “on”.

The broken line showings of the housing and antenna of the wireless communications terminal in FIG. 3 are for illustrative purposes only and form no part of the claimed design.

1 Claim, 1 Drawing Sheet



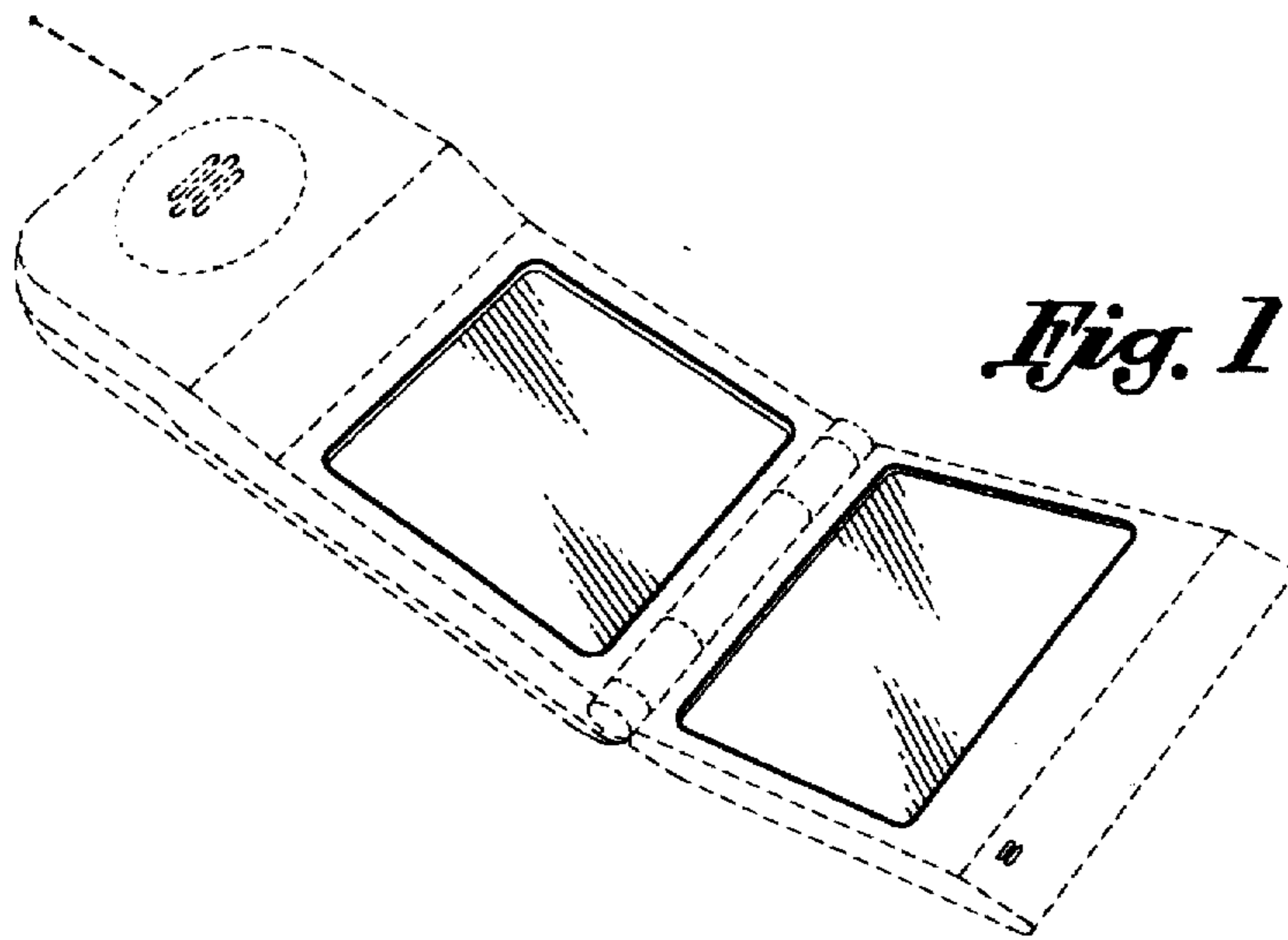


Fig. 1

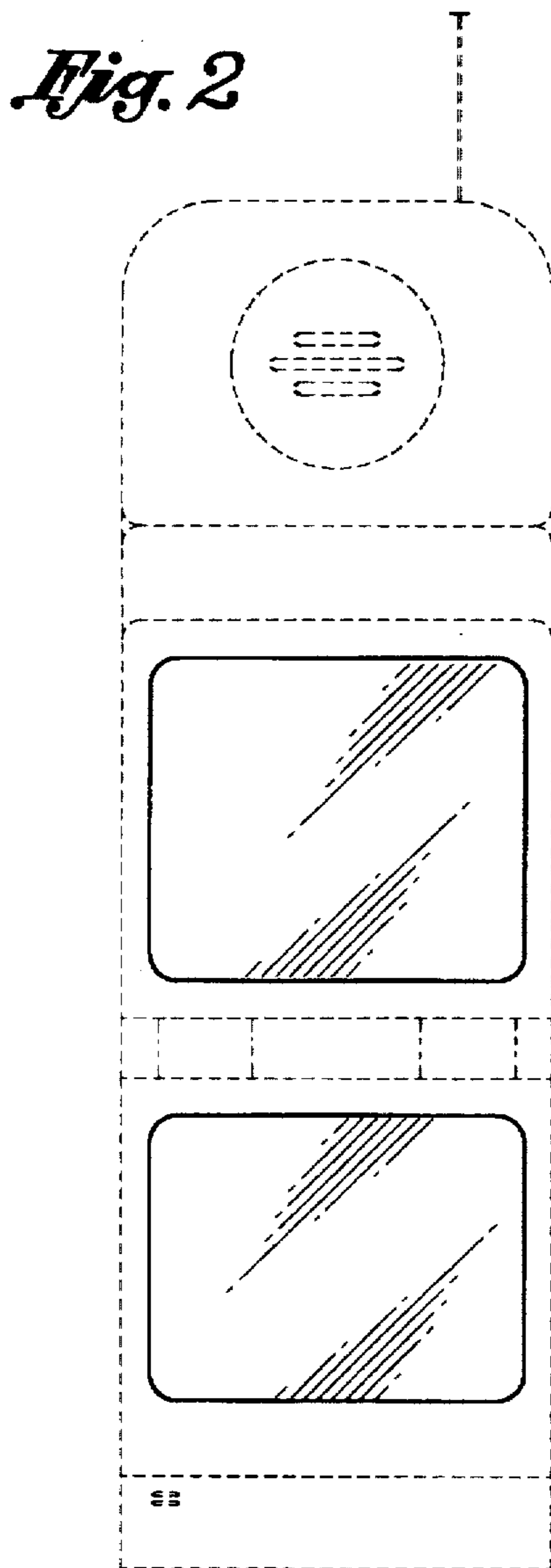


Fig. 2

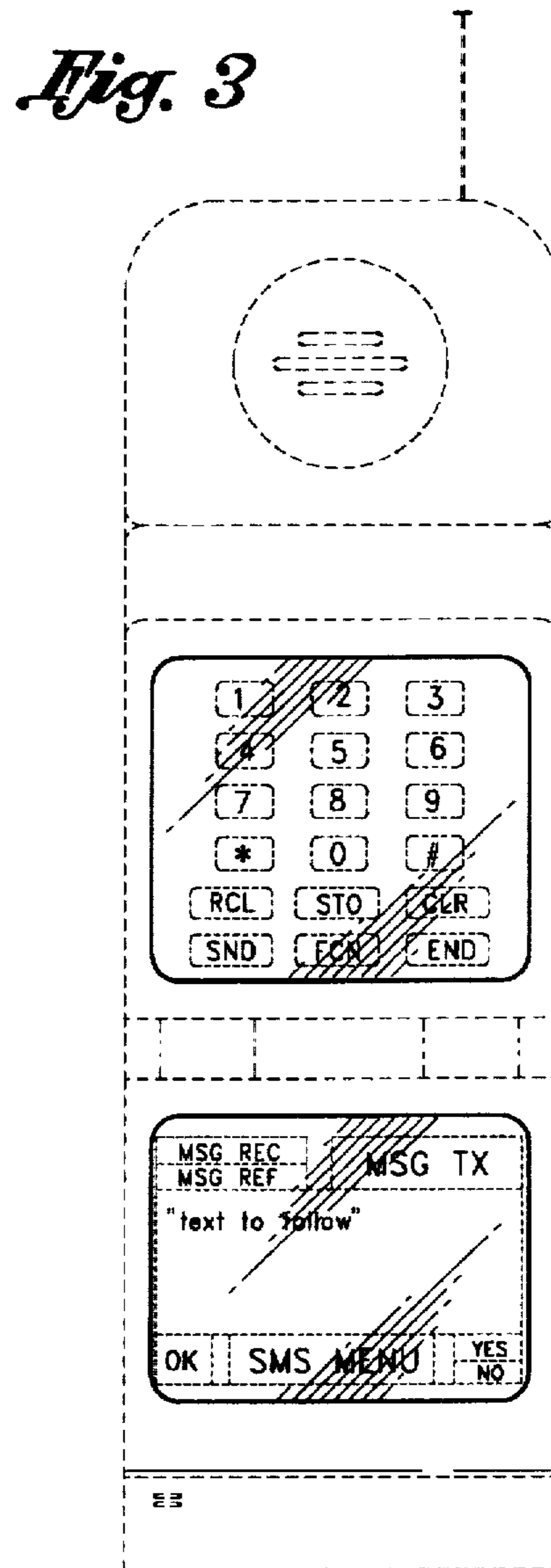


Fig. 3